



US00D341605S

United States Patent [19]

[11] Patent Number: **Des. 341,605**

Waskiewicz

[45] Date of Patent: **** Nov. 23, 1993**

[54] **PILLOW BLOCK BEARING HOUSING**

[75] Inventor: **Walter P. Waskiewicz**, Bristol, Conn.

[73] Assignee: **The Torrington Company**, Torrington, Conn.

[**] Term: **14 Years**

[21] Appl. No.: **920,719**

[22] Filed: **Jul. 28, 1992**

[52] U.S. Cl. **D15/143**

[58] Field of Search **D15/143; D7/528, 532; D25/60; 384/29, 38, 43, 57, 428-444, 448, 541**

[56] **References Cited**

U.S. PATENT DOCUMENTS

- 3,873,167 3/1975 Anderson .
- 3,936,099 2/1976 Braun et al. .
- 4,005,917 2/1977 Richardson et al. 384/432 X
- 4,758,101 7/1988 Roof, Sr. et al. .

FOREIGN PATENT DOCUMENTS

- 689910 4/1953 United Kingdom 384/440

OTHER PUBLICATIONS

- Product Engineering, Link-Belt Flex-Block Sleeve Bearing Feb. 1962, p. 8.
- Fafnir, Single Pillow Blocks-Standard Series (RAKH) Type, ©1966, p. 94.
- Page from sales brochure of SKF GmbH, Schweinfurt, Fed. Rep. of Germany.

Page from sales brochure of Dodge Division, Reliance Electric Company, Cleveland, Ohio.

Pages (2) from sales brochure of The Torrington Company, Torrington, Conn.

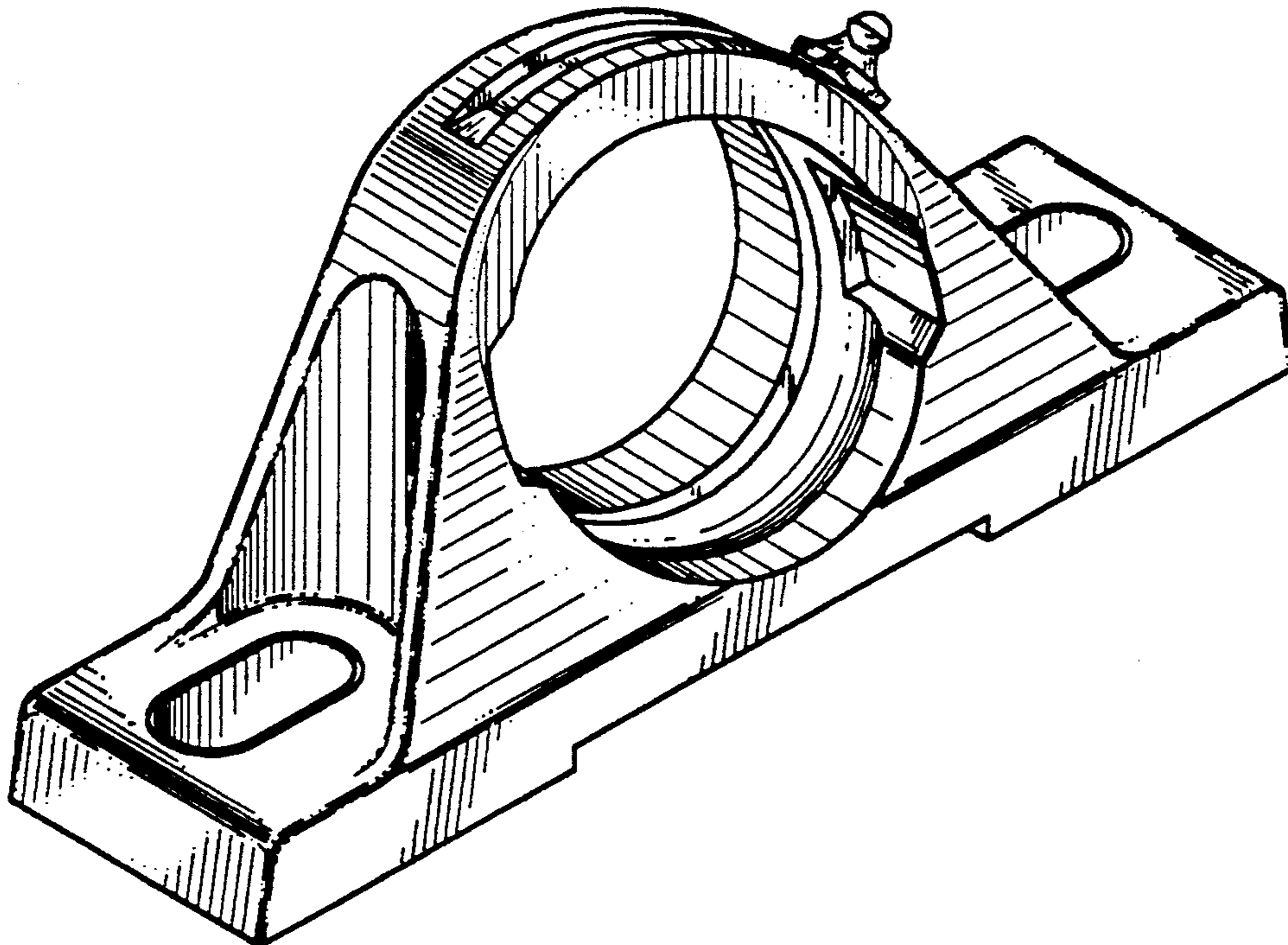
Primary Examiner—Nelson C. Holtje
Assistant Examiner—Antoine D. Davis
Attorney, Agent, or Firm—John C. Bigler

[57] **CLAIM**

The ornamental design for a pillow block bearing housing, as shown and described.

DESCRIPTION

FIG. 1 is an isometric view of the left side, top and front of a pillow block bearing housing showing my design; FIG. 2 is a front view of my pillow block bearing housing design; FIG. 3 is a top view of my pillow block bearing housing design; FIG. 4 is a rear view of my pillow block bearing housing design; FIG. 5 is a bottom view of my pillow block bearing housing design; FIG. 6 is a left side view of my pillow block bearing housing design; FIG. 7 is a right side view of my pillow block bearing housing design; FIG. 8 is an isometric view of the left side, top and front of an alternate embodiment of my pillow block bearing housing design; FIG. 9 is a front view of my alternate pillow block bearing housing design of FIG. 8; and, FIG. 10 is a top view of my alternate pillow block bearing housing design of FIG. 8.



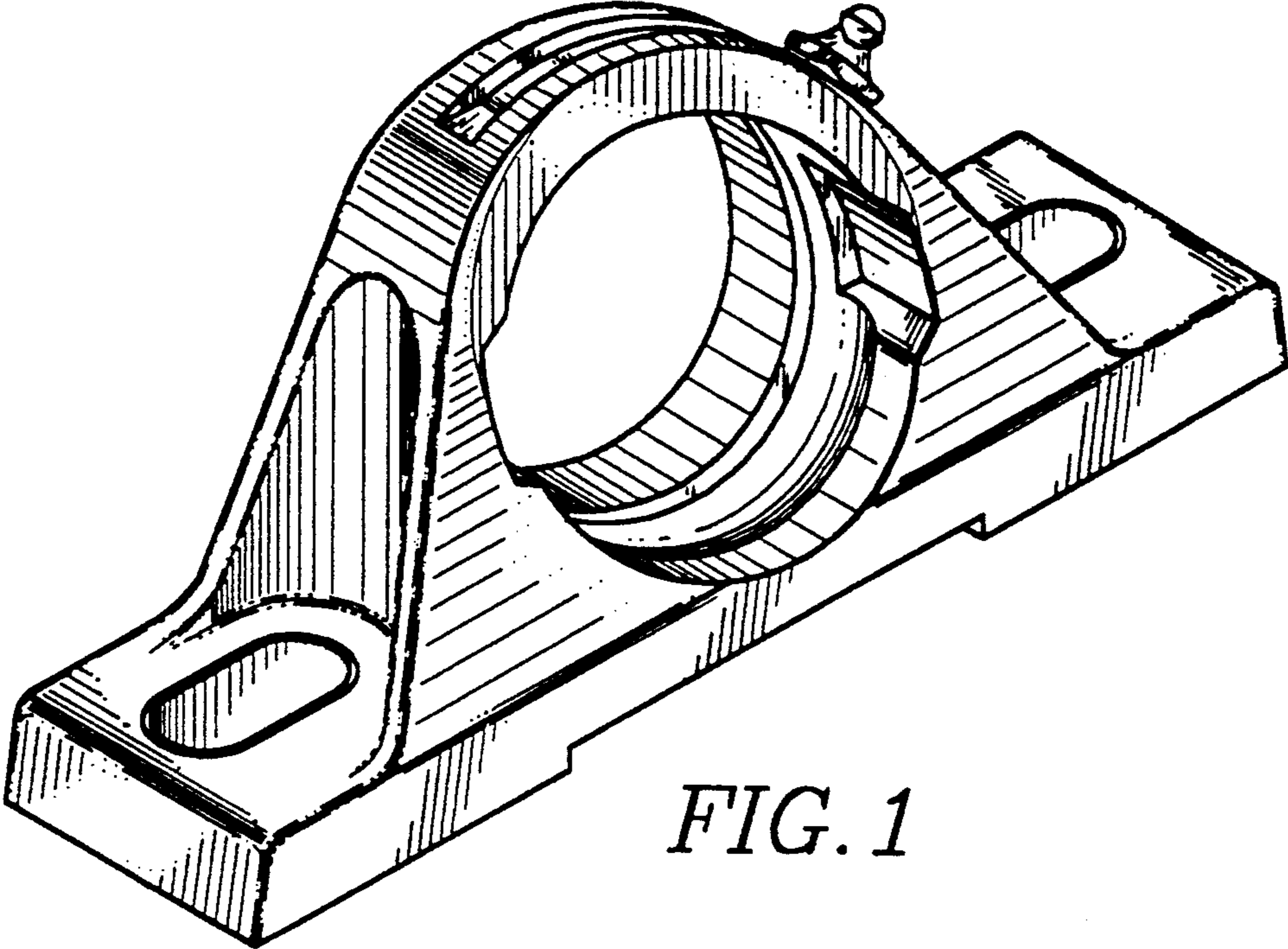


FIG. 1

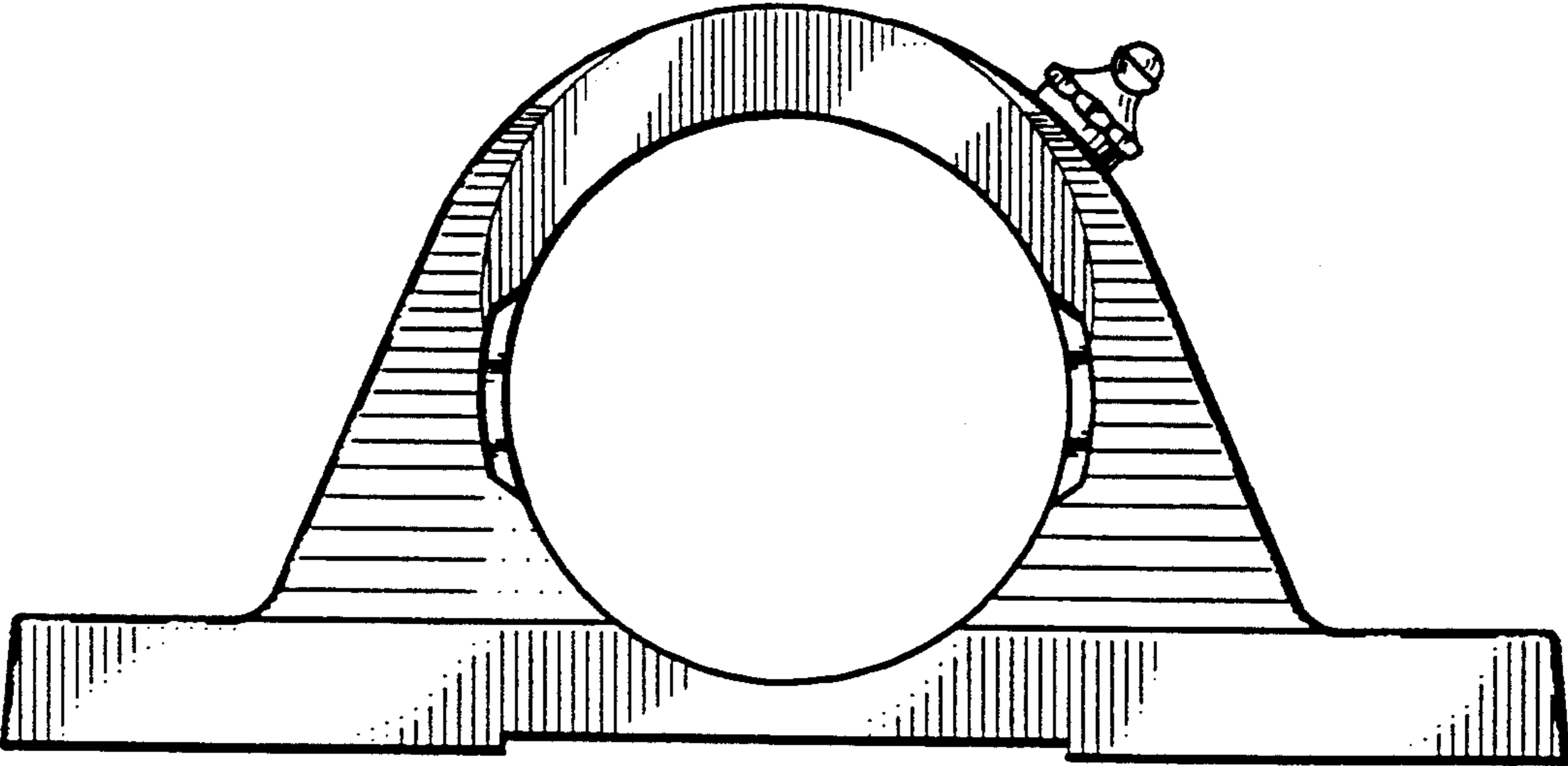


FIG. 2

FIG. 3

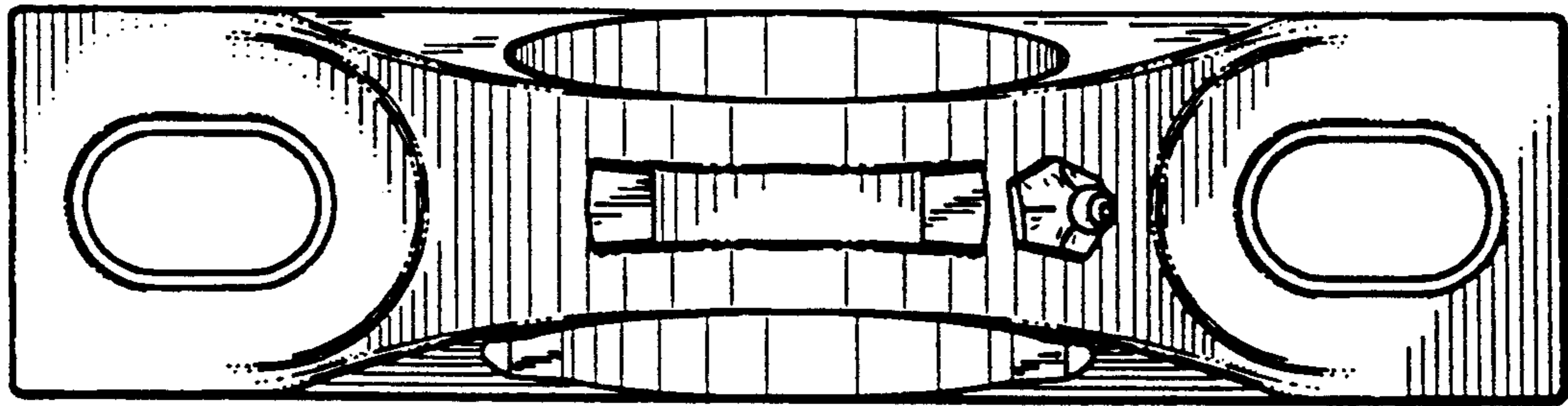


FIG. 4

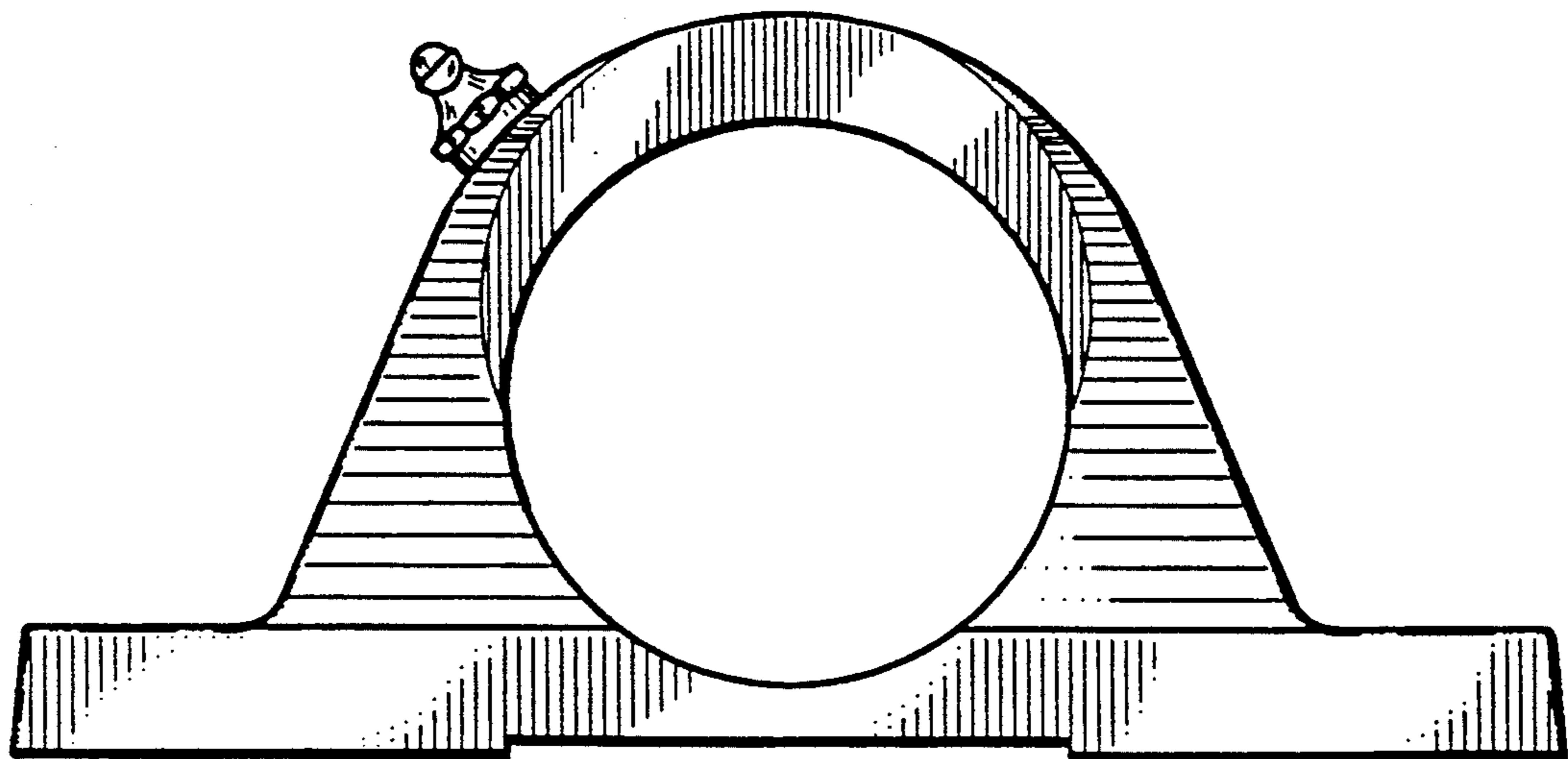


FIG. 5

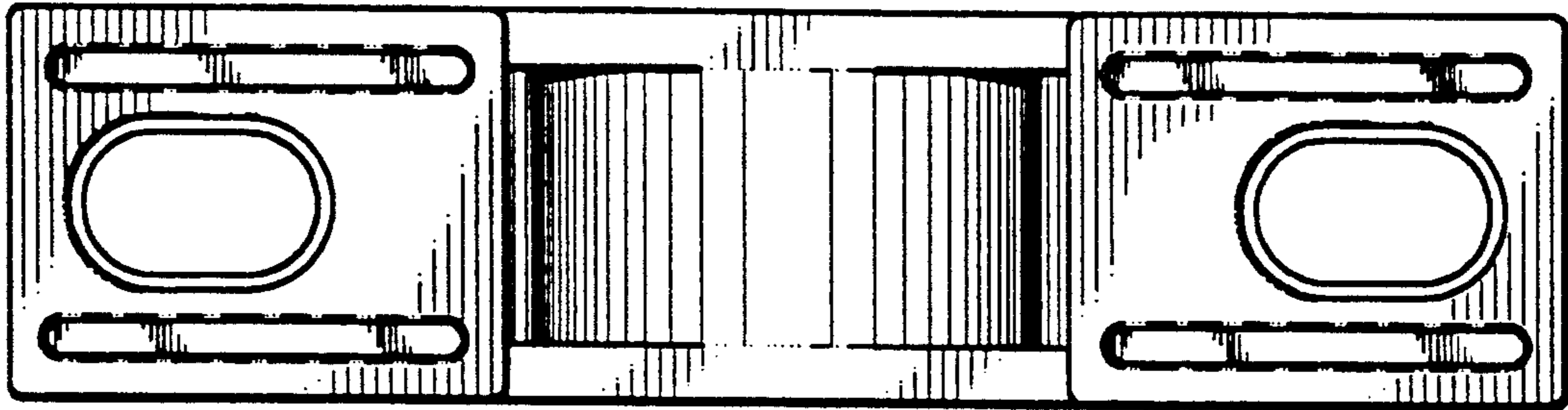


FIG. 6

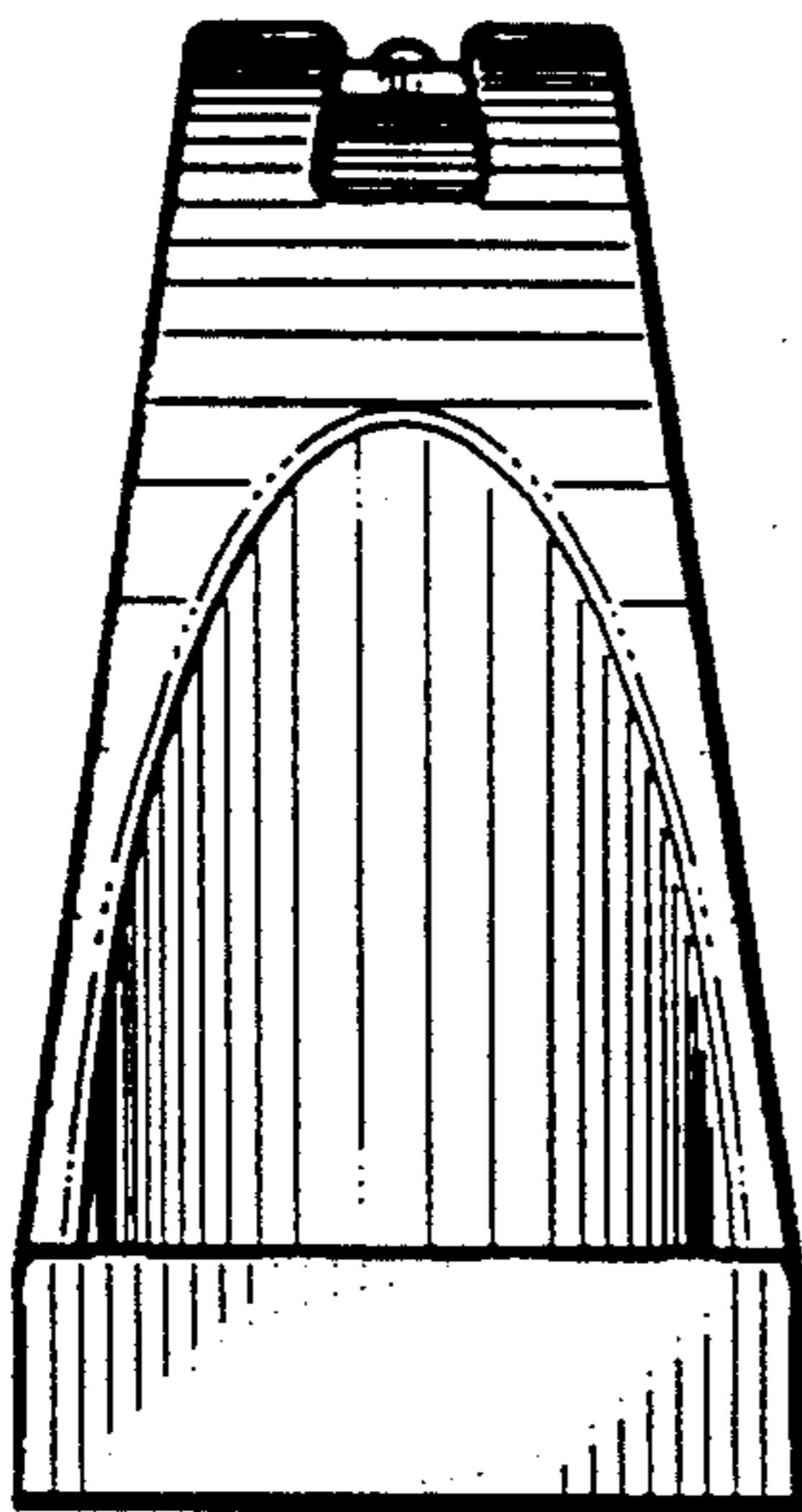


FIG. 7

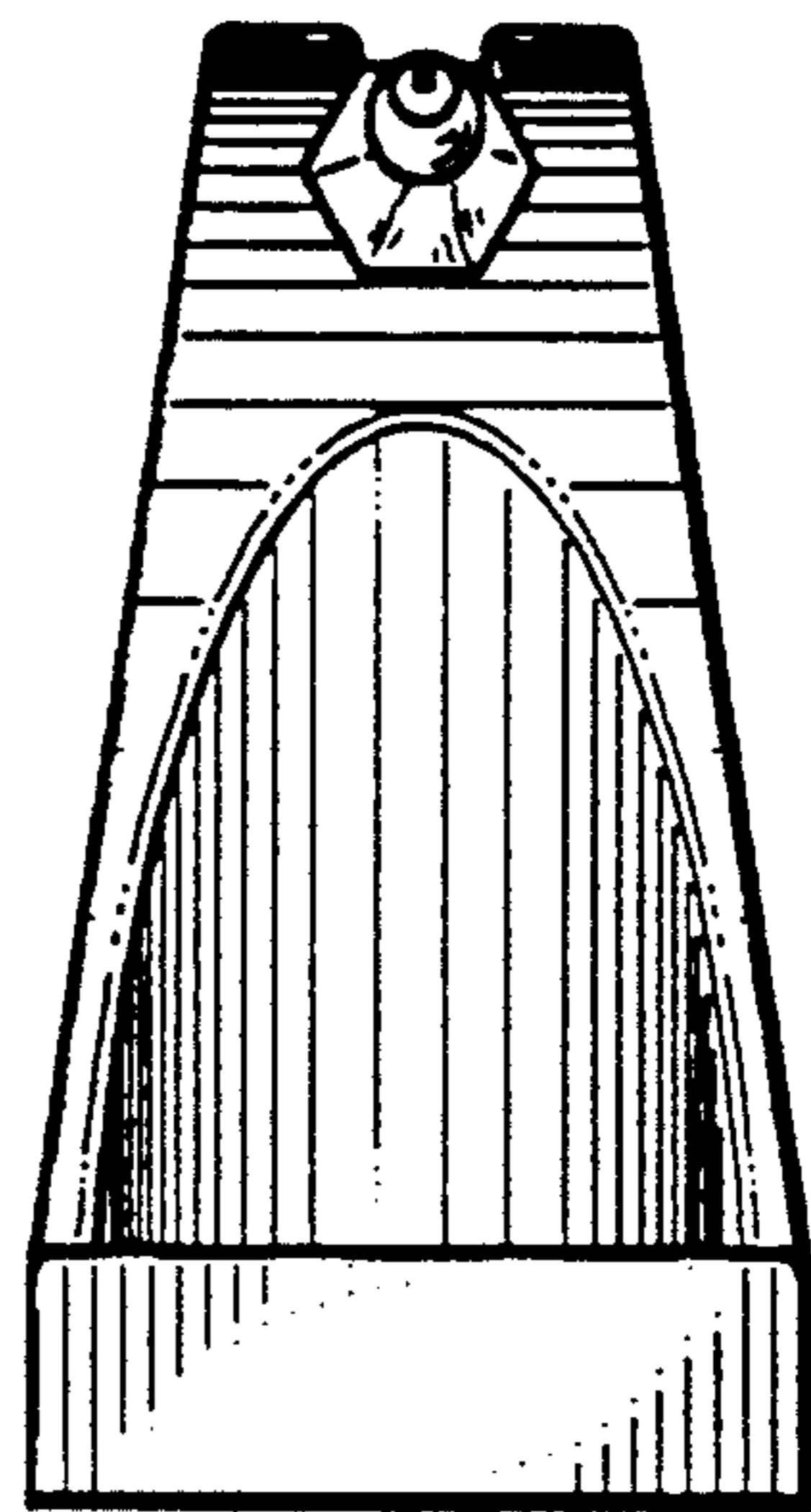
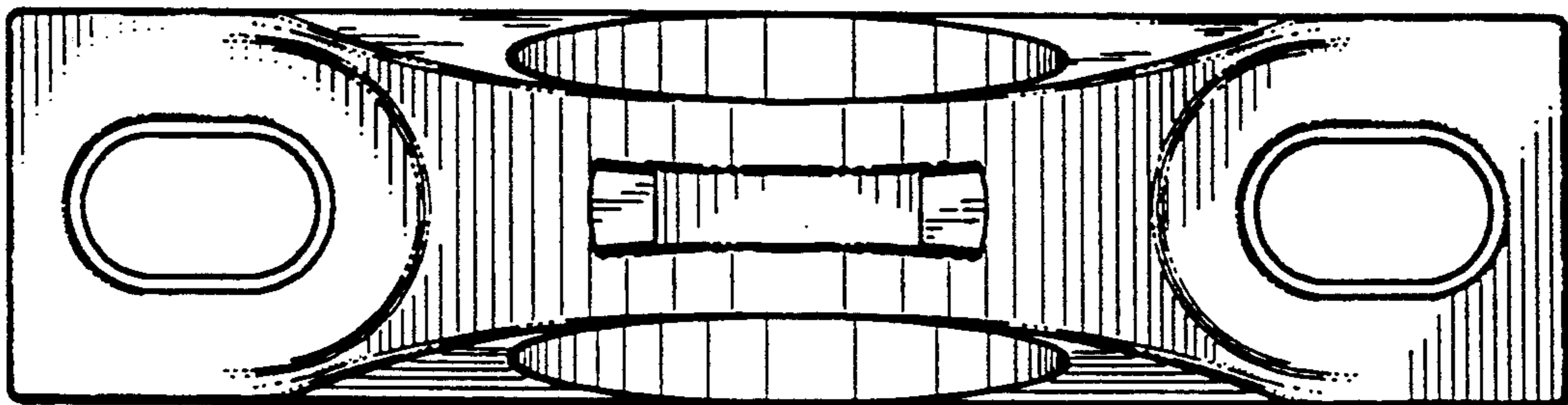


FIG. 10



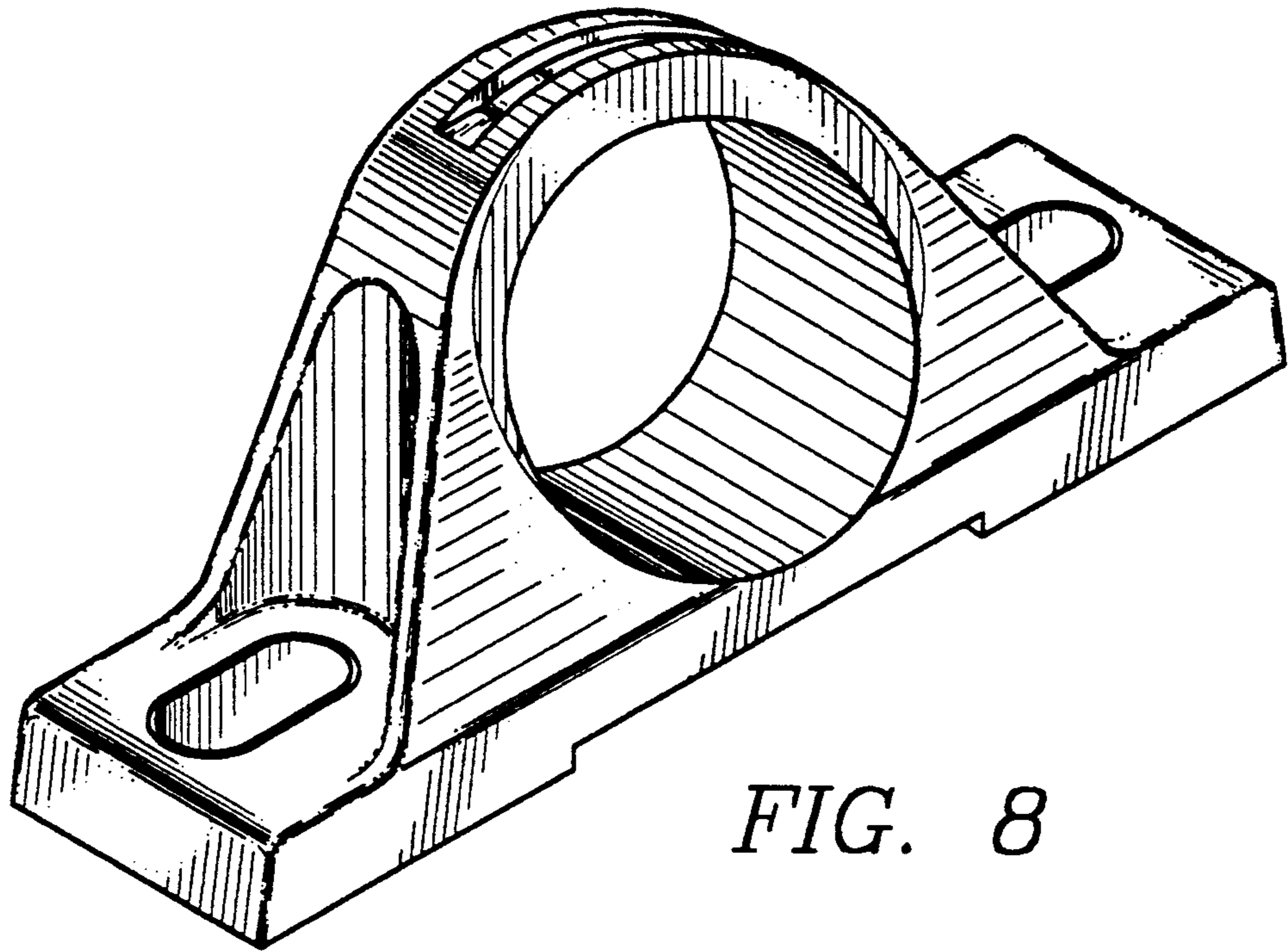


FIG. 8

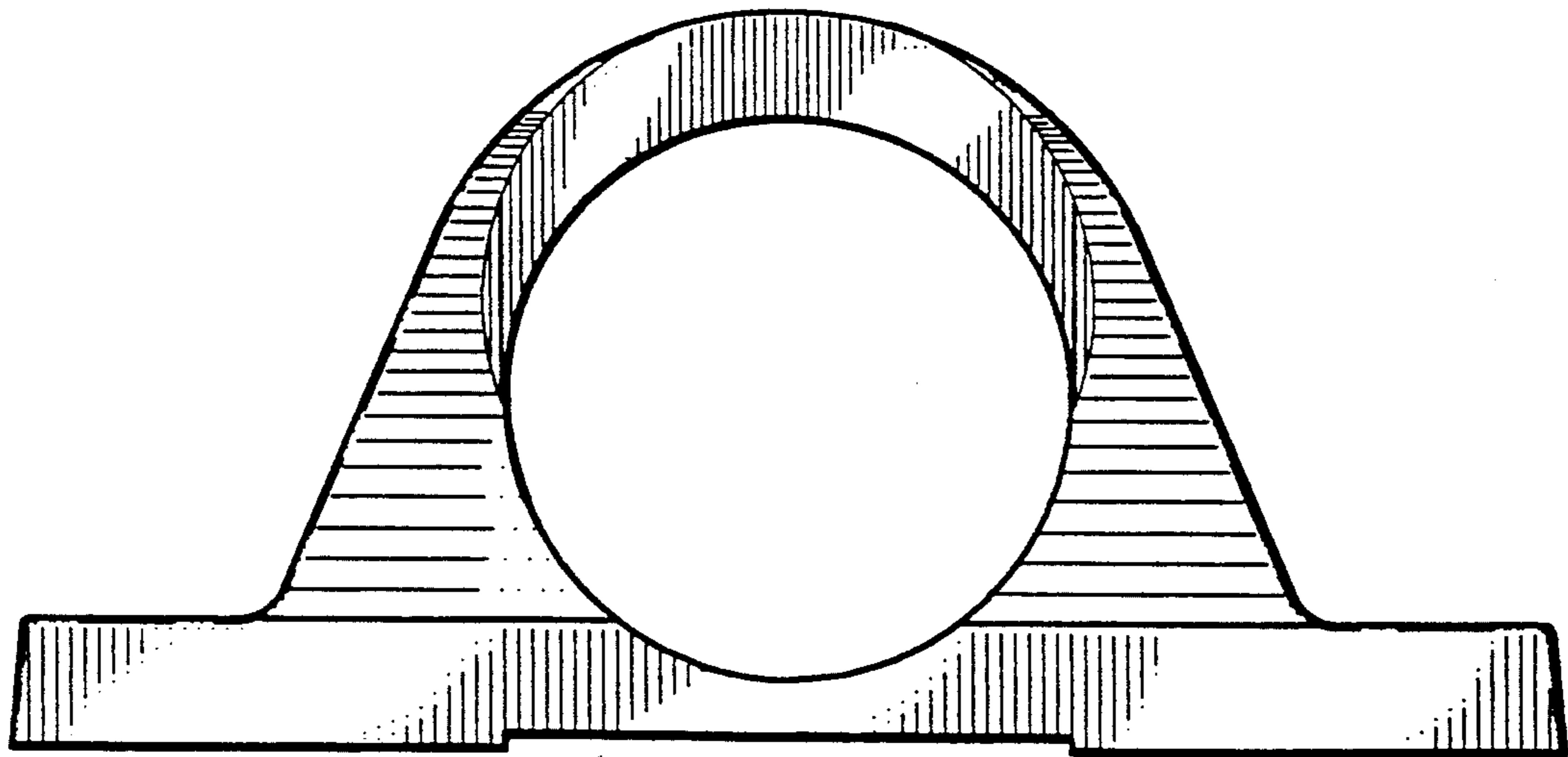


FIG. 9