



US00D341602S

United States Patent [19]

[11] Patent Number: Des. 341,602

Faig et al.

[45] Date of Patent: ** Nov. 23, 1993

[54] **MOVABLE PLATEN FOR AN INJECTION MOLDING MACHINE**

[76] Inventors: **Harold J. Faig**, 2244 Spinning Wheel La., Cincinnati, Ohio 45244; **M. Jay Moore**, 11253 Foremark Dr., Blue Ash, Ohio 45241; **Ronald A. Hertzner**, 5913 Woodspoint Dr., Milford, Ohio 45150; **Van K. Joyner**, 5309 Silverwood Ct., West Chester, Ohio 45069

chinenfabrik Hehl & Sohne, Lossburg, Germany, 20 pages, no publication date.

"Arburg Basic-Information," brochure published by Arburg Maschinenfabrik Hehl & Sohne, GmbH & Co. KG, Lossburg, Germany, 17 pages, printed in Jun. 1988.

Primary Examiner—Alan P. Douglas
Assistant Examiner—Antoine D. Davis
Attorney, Agent, or Firm—Nies, Kurz, Bergert & Tamburro

[**] Term: 14 Years

[57] **CLAIM**

[21] Appl. No.: 659,150

The ornamental design for a movable platen for an injection molding machine, as shown and described.

[22] Filed: Feb. 22, 1991

DESCRIPTION

[52] U.S. Cl. D15/135

[58] Field of Search D15/135-137;
425/150, 135, 592, 451.5, 451.6, 593, 590, 453,
595

FIG. 1 is a front view of a movable platen for an injection molding machine showing our new design;
FIG. 2 is a rear view thereof;
FIG. 3 is a left side view thereof;
FIG. 4 is a right side view thereof;
FIG. 5 is a top view thereof;
FIG. 6 is a bottom view thereof;
FIG. 7 is a cross-sectional view thereof taken along the line 7-7 of FIG. 5;
FIG. 8 is a cross-sectional view thereof taken along the line 8-8 of FIG. 5;
FIG. 9 is a front perspective view; and,
FIG. 10 is a rear perspective view thereof.

[56] **References Cited**

U.S. PATENT DOCUMENTS

D. 317,927	7/1991	Kern	D15/135
3,590,436	7/1971	Akesson et al.	425/590
5,123,834	6/1992	Joyner	425/592

OTHER PUBLICATIONS

"Arburg Allrounder," brochure published by Mas-

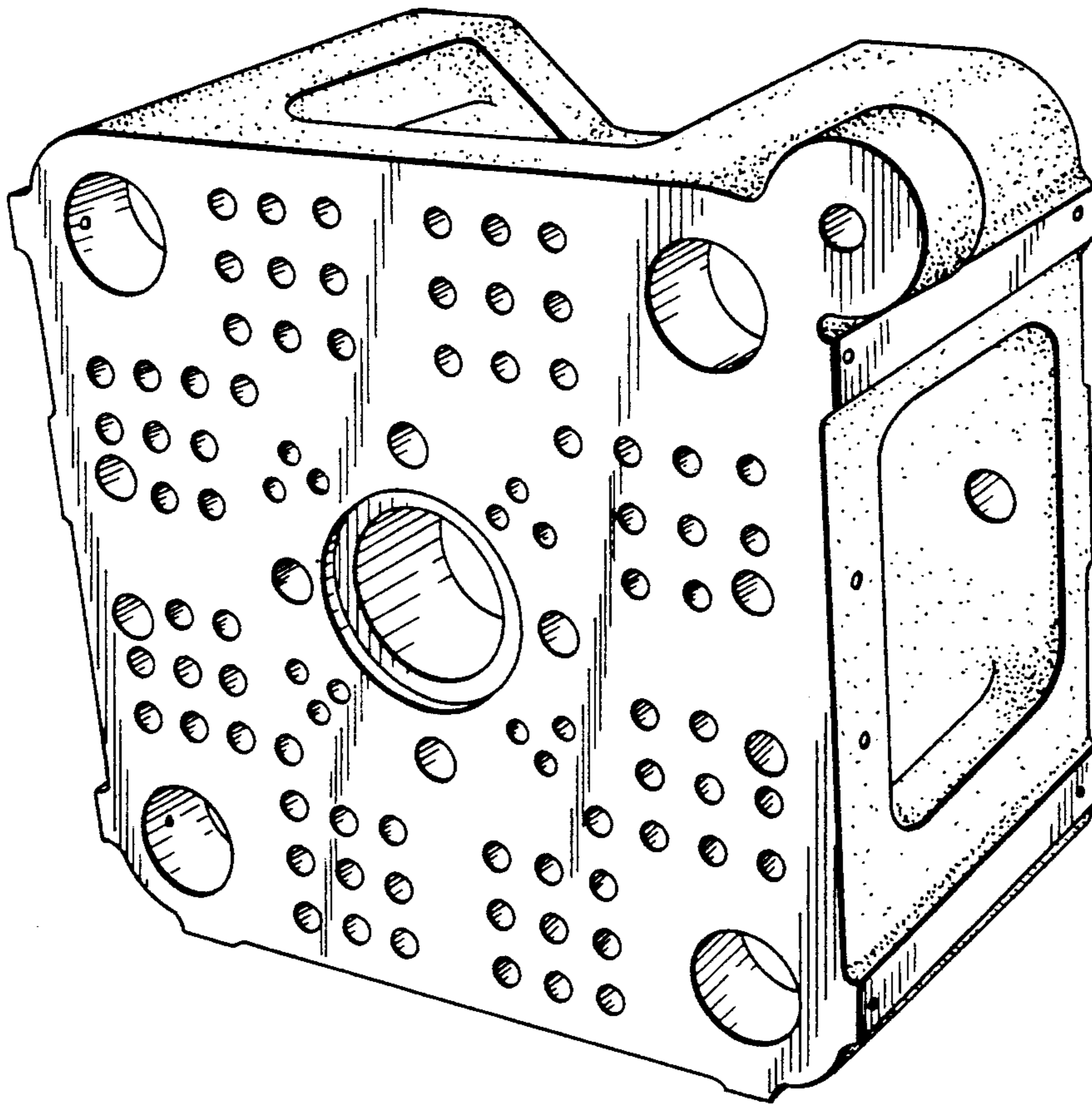


FIG. 1

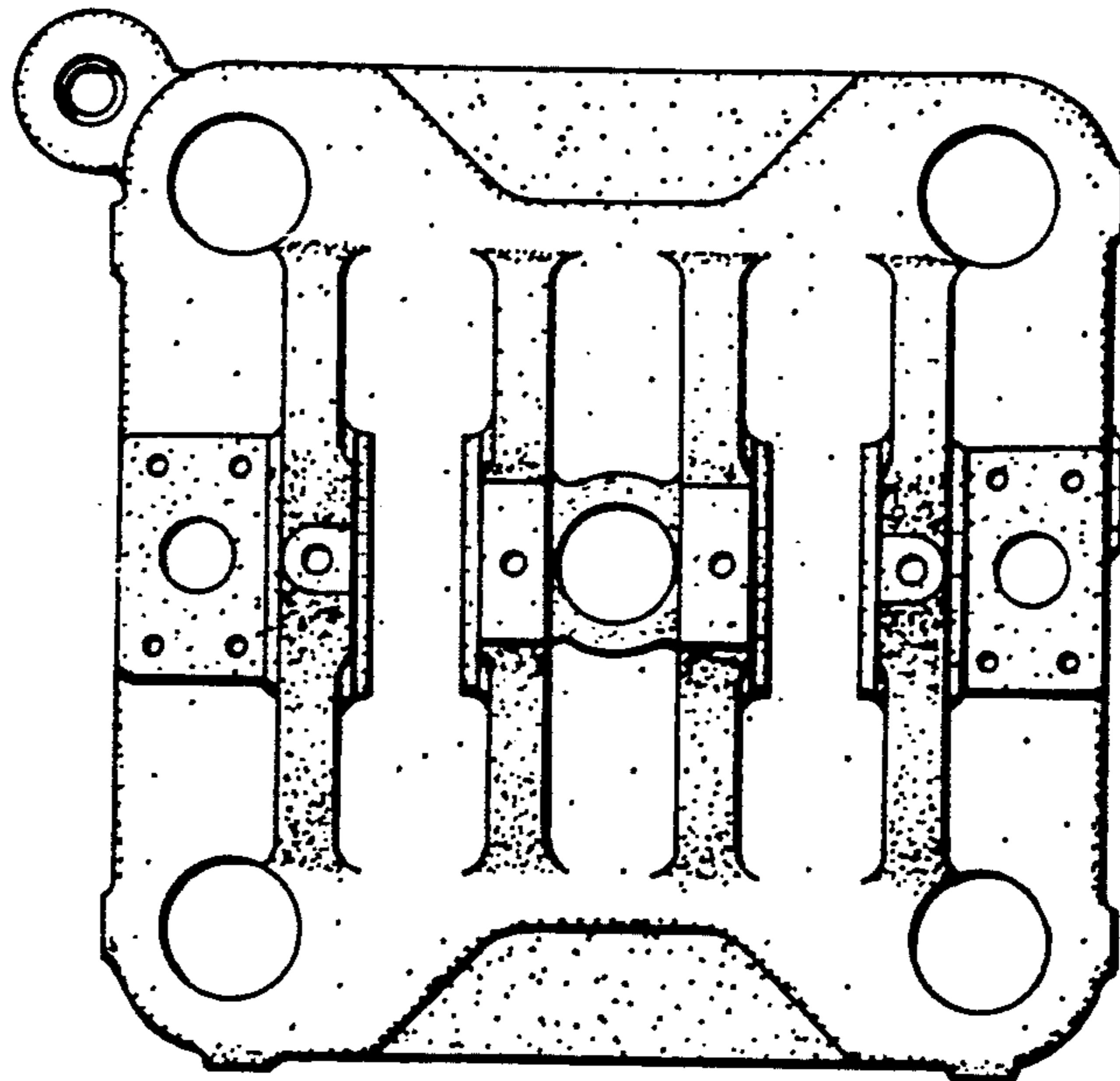
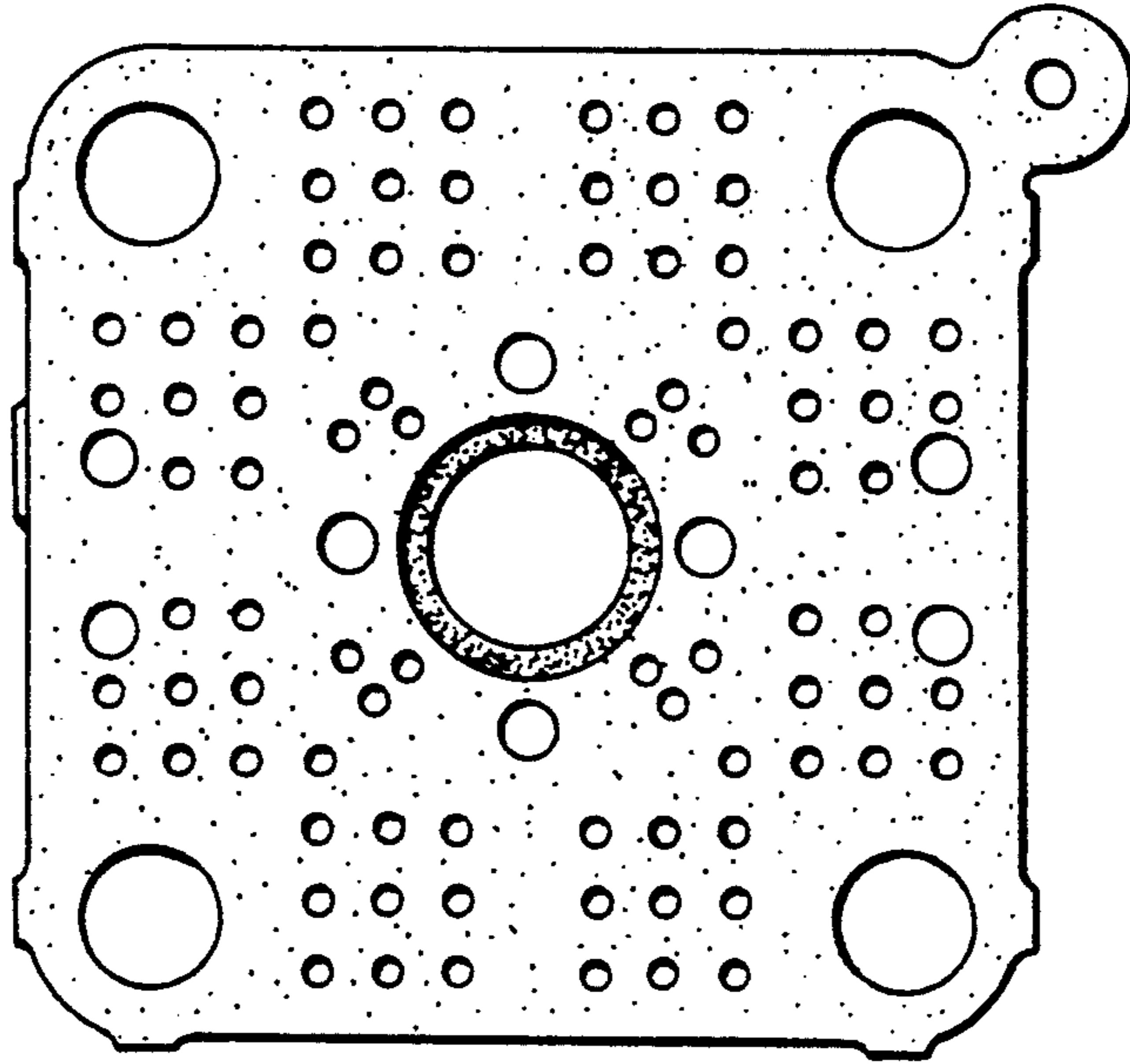


FIG. 2

FIG. 3

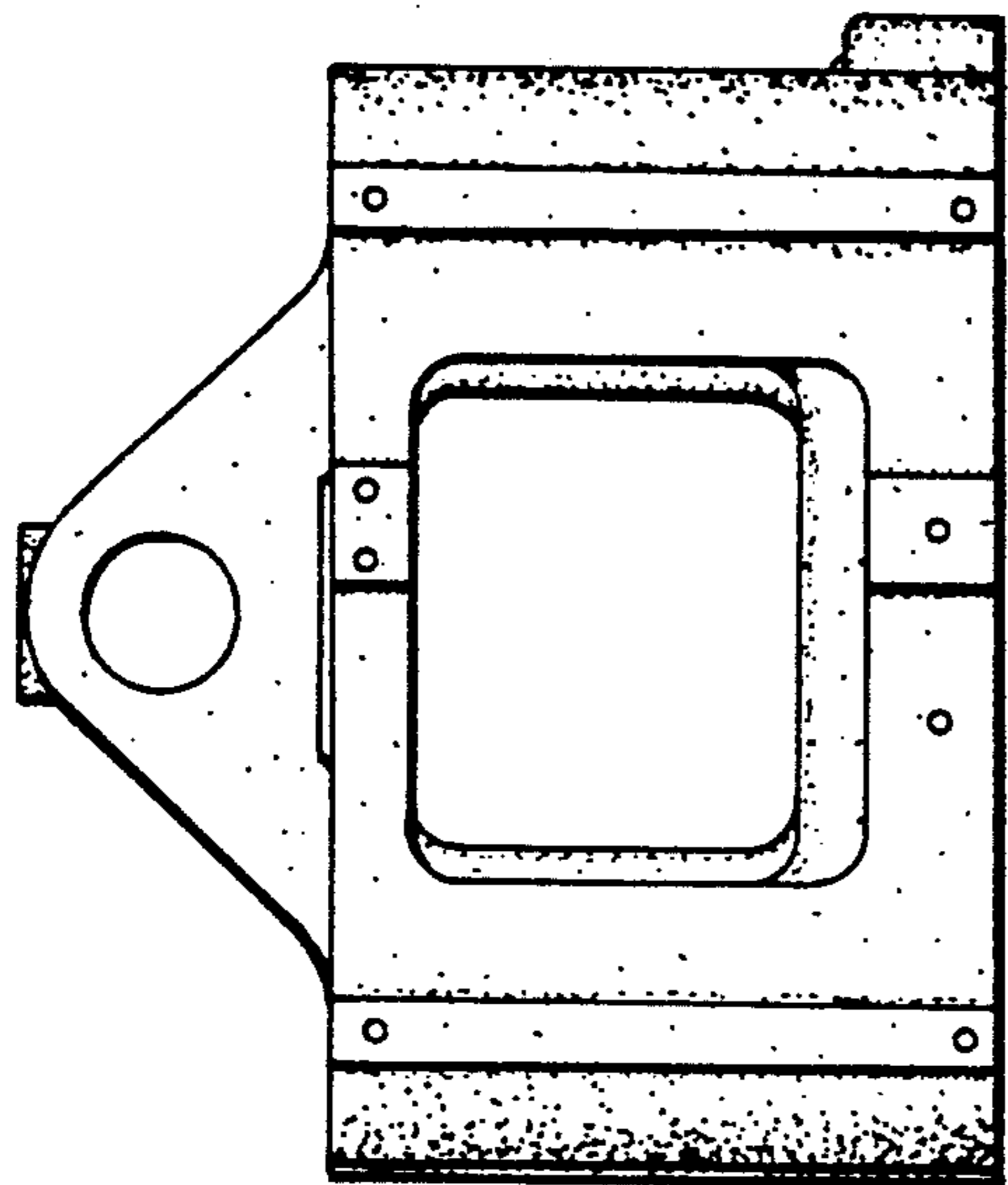


FIG. 4

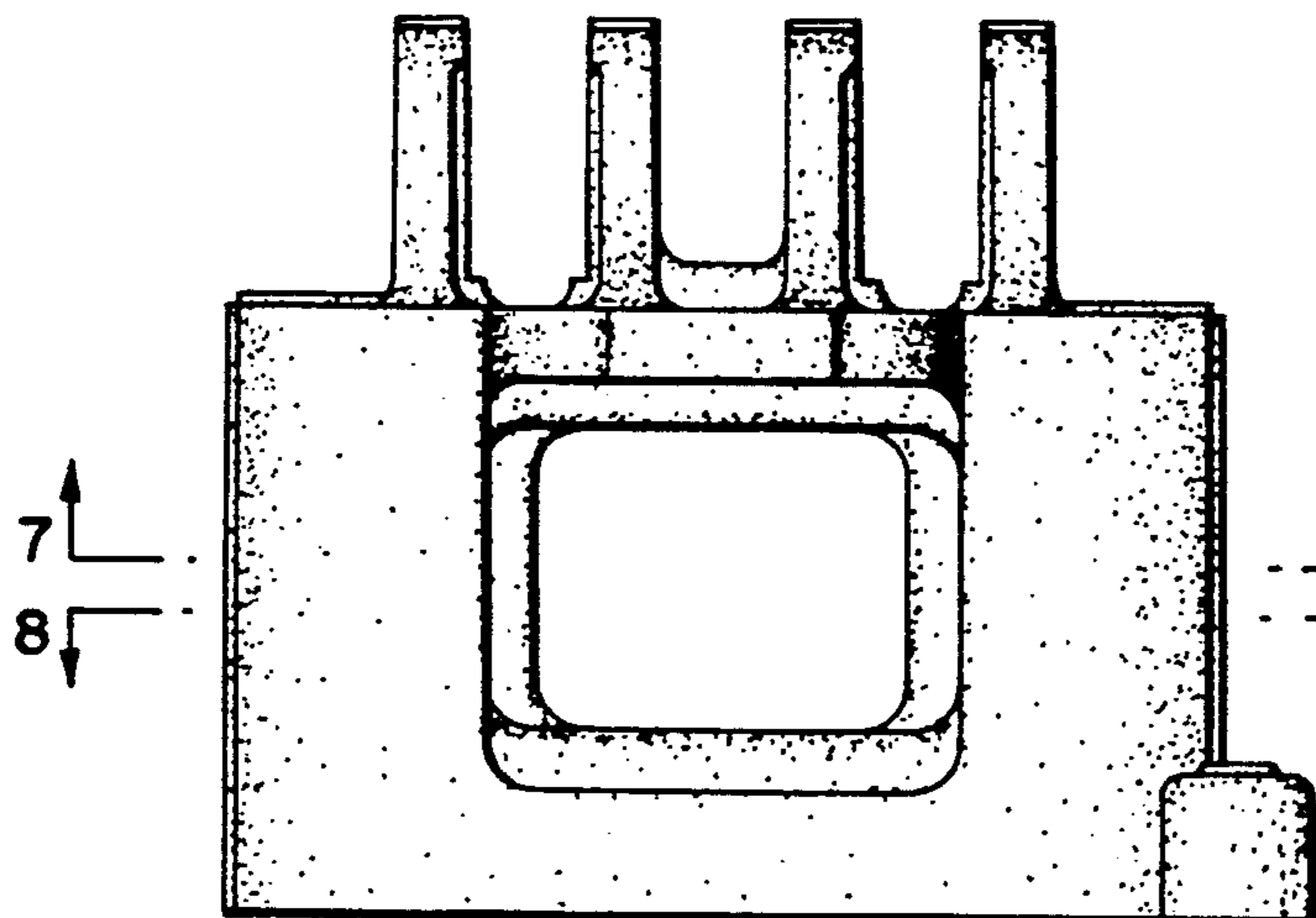
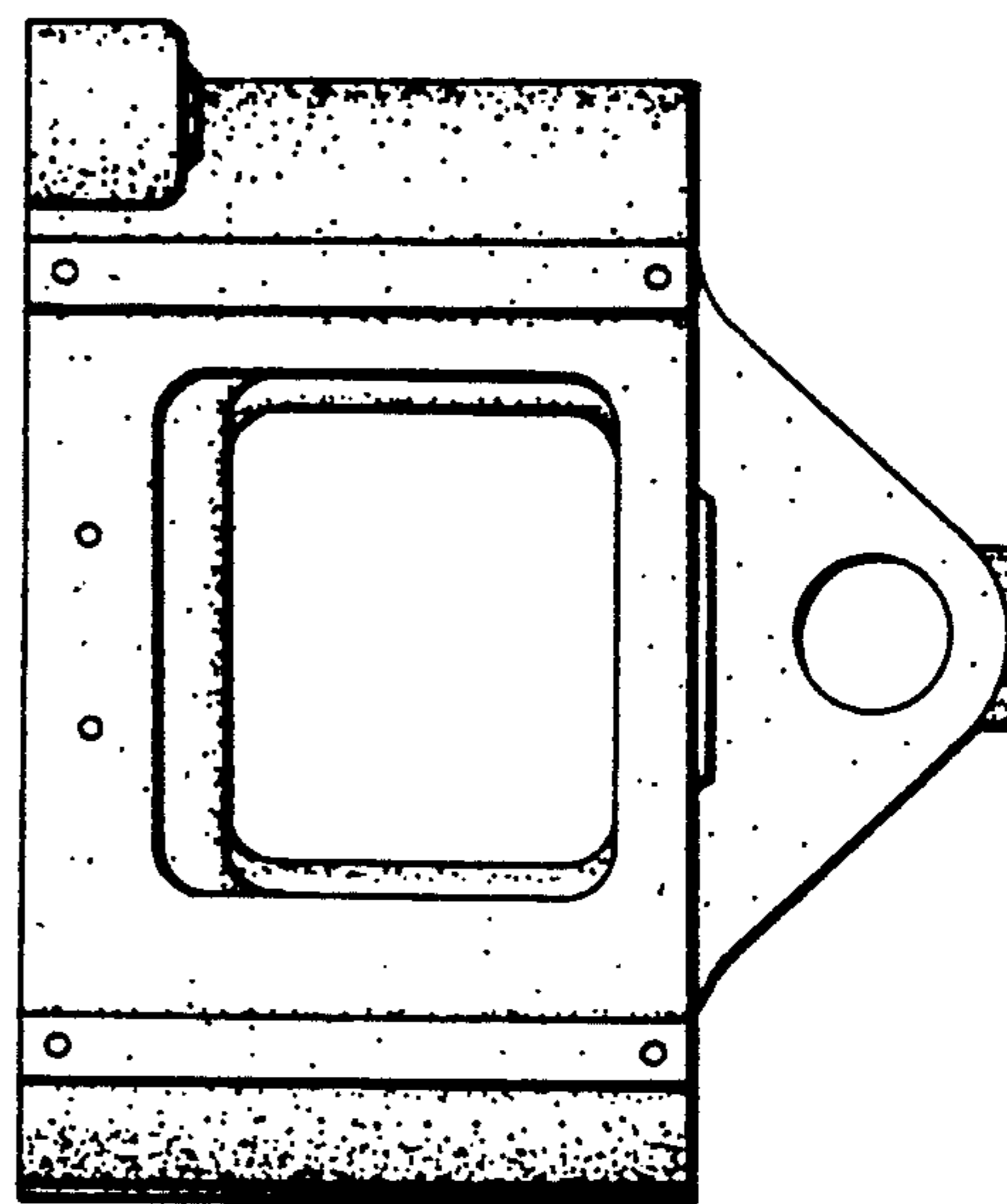


FIG. 5

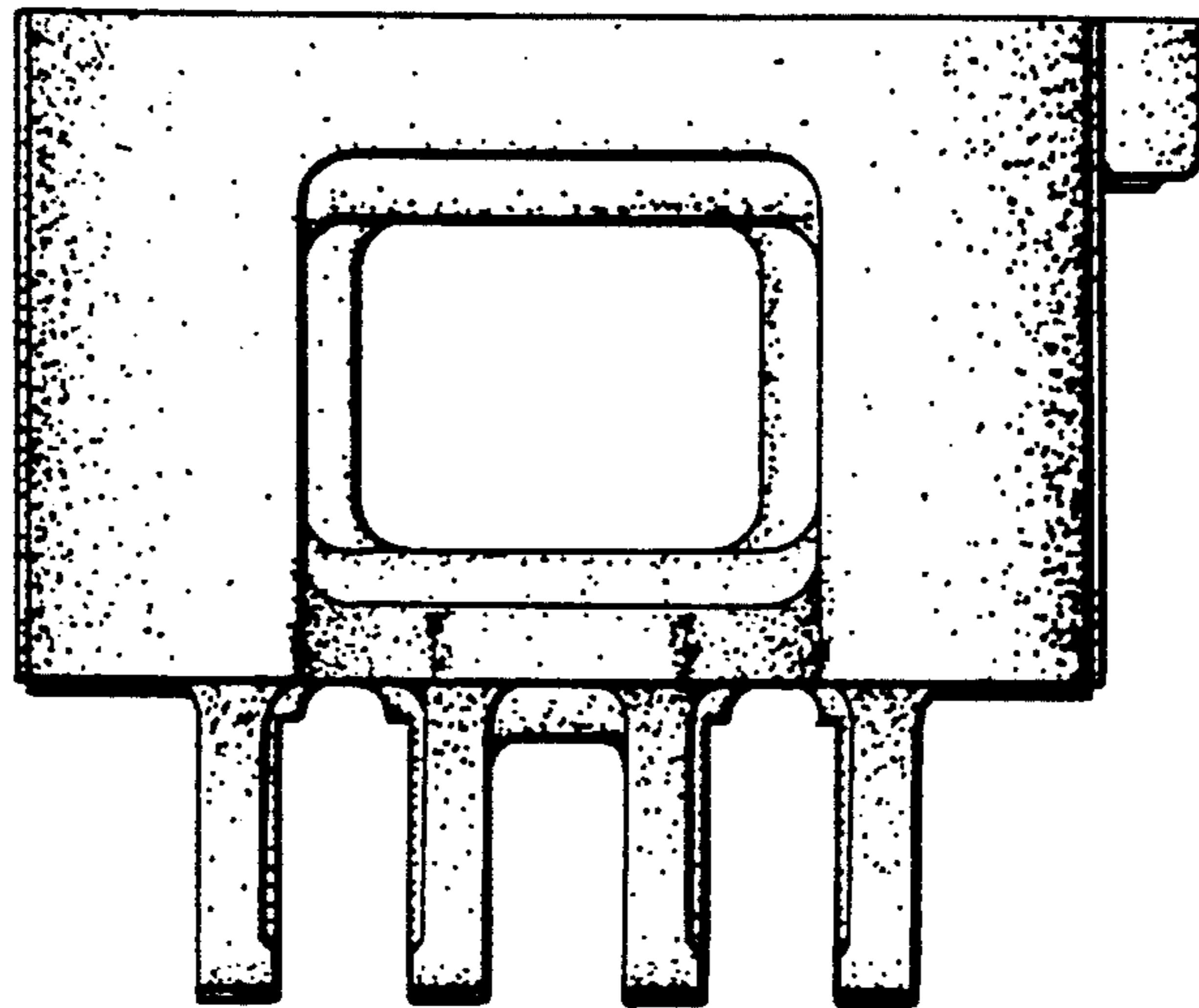


FIG. 6

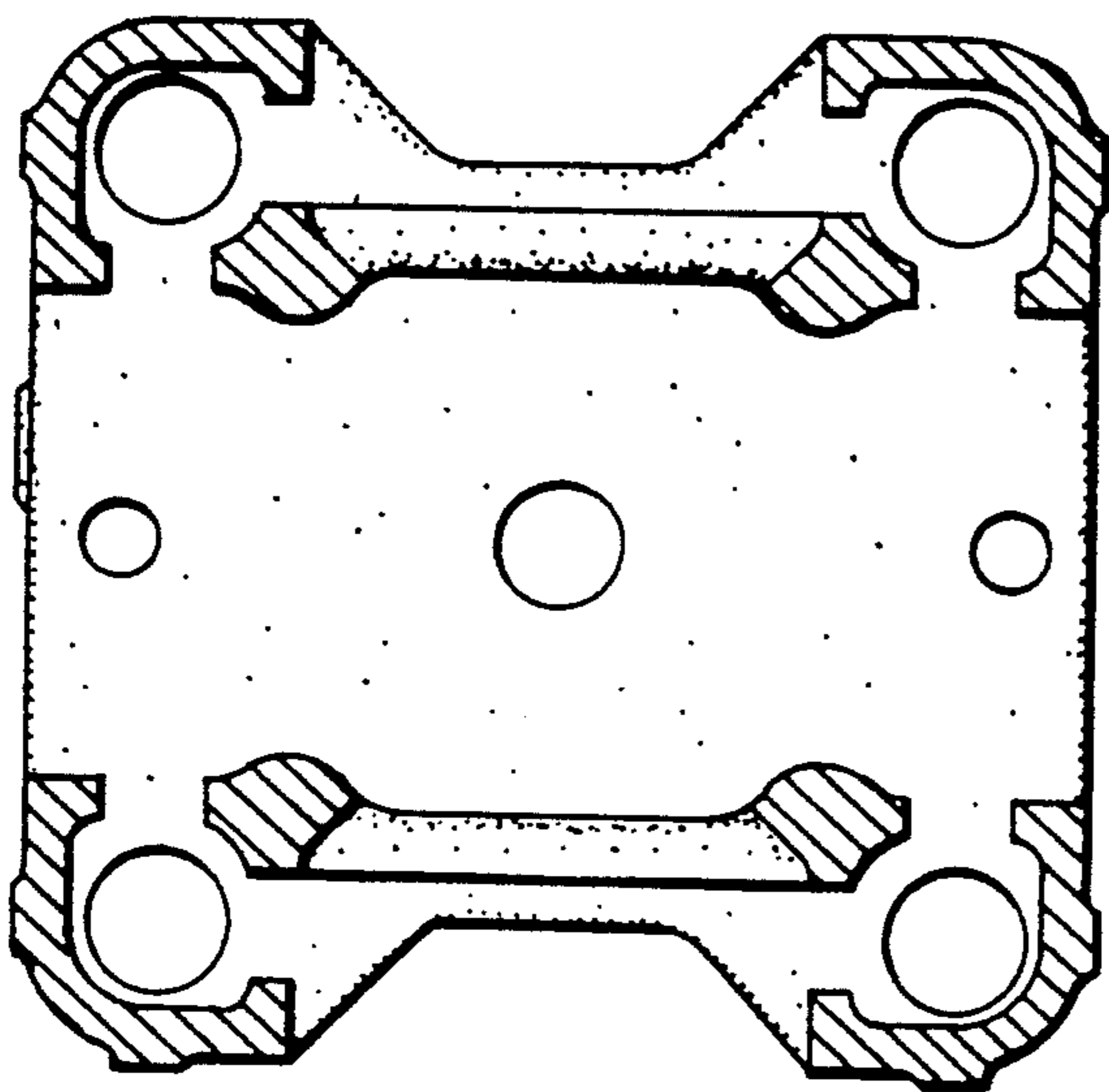


FIG. 7

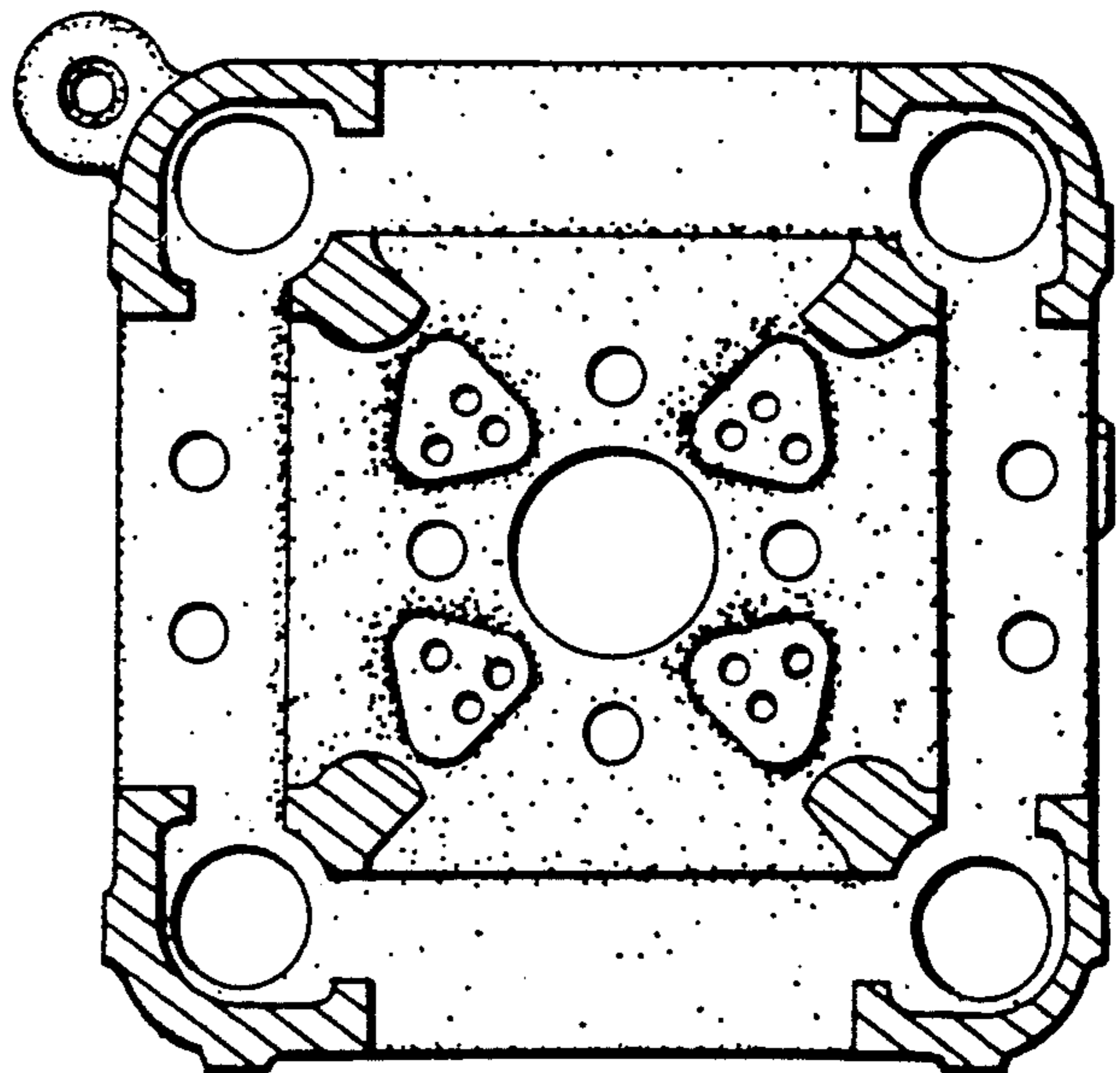


FIG. 8

FIG. 9

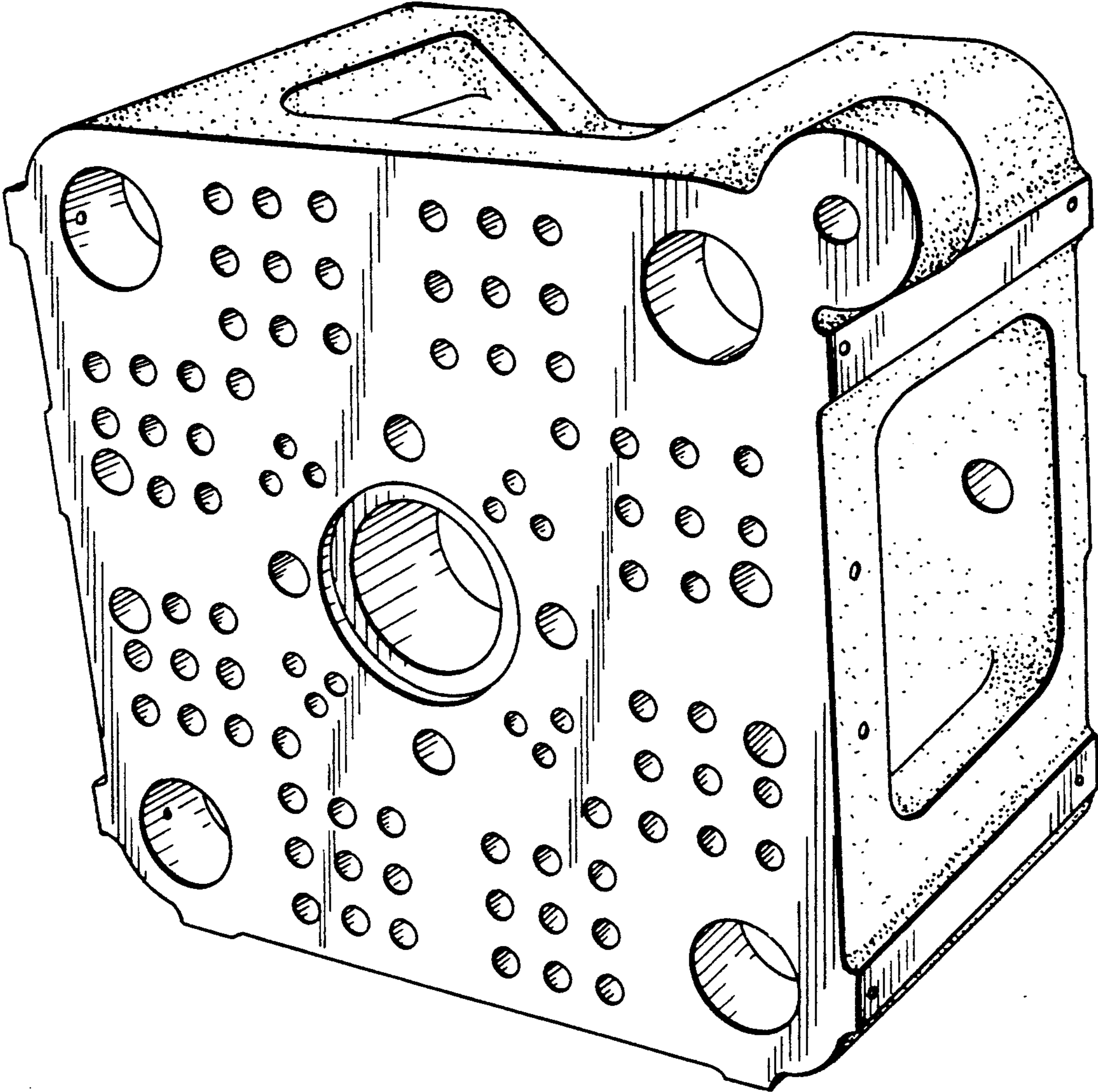


FIG. 10

