



US00D341601S

United States Patent [19]

[11] Patent Number: **Des. 341,601**

Johnson

[45] Date of Patent: **** Nov. 23, 1993**

[54] **MACHINE FOR FOAMING REFRIGERATOR CAVITIES**

3,298,656 1/1967 Zastrow .

3,353,782 11/1967 Zastrow .

3,380,703 4/1968 Zastrow .

[75] Inventor: **Darrell N. Johnson, White Bear Lake, Minn.**

4,544,340 10/1985 Hehl 425/183

4,664,614 5/1987 De Rossi 425/190 X

4,691,906 9/1987 Zastrow .

[73] Assignee: **Con-Tek Machine, Inc., St. Paul, Minn.**

Primary Examiner—Alan P. Douglas

Assistant Examiner—Antoine D. Davis

Attorney, Agent, or Firm—Moore & Hansen

[**] Term: **14 Years**

[21] Appl. No.: **520,397**

[57] CLAIM

[22] Filed: **May 8, 1990**

The ornamental design for machine for foaming refrigerator cavities, as shown and described.

[52] U.S. Cl. **D15/135**

[58] Field of Search D15/135, 136, 137, 147, D15/199; 269/287, 481; 425/110, 183, 185, 190, 438, 441, 575

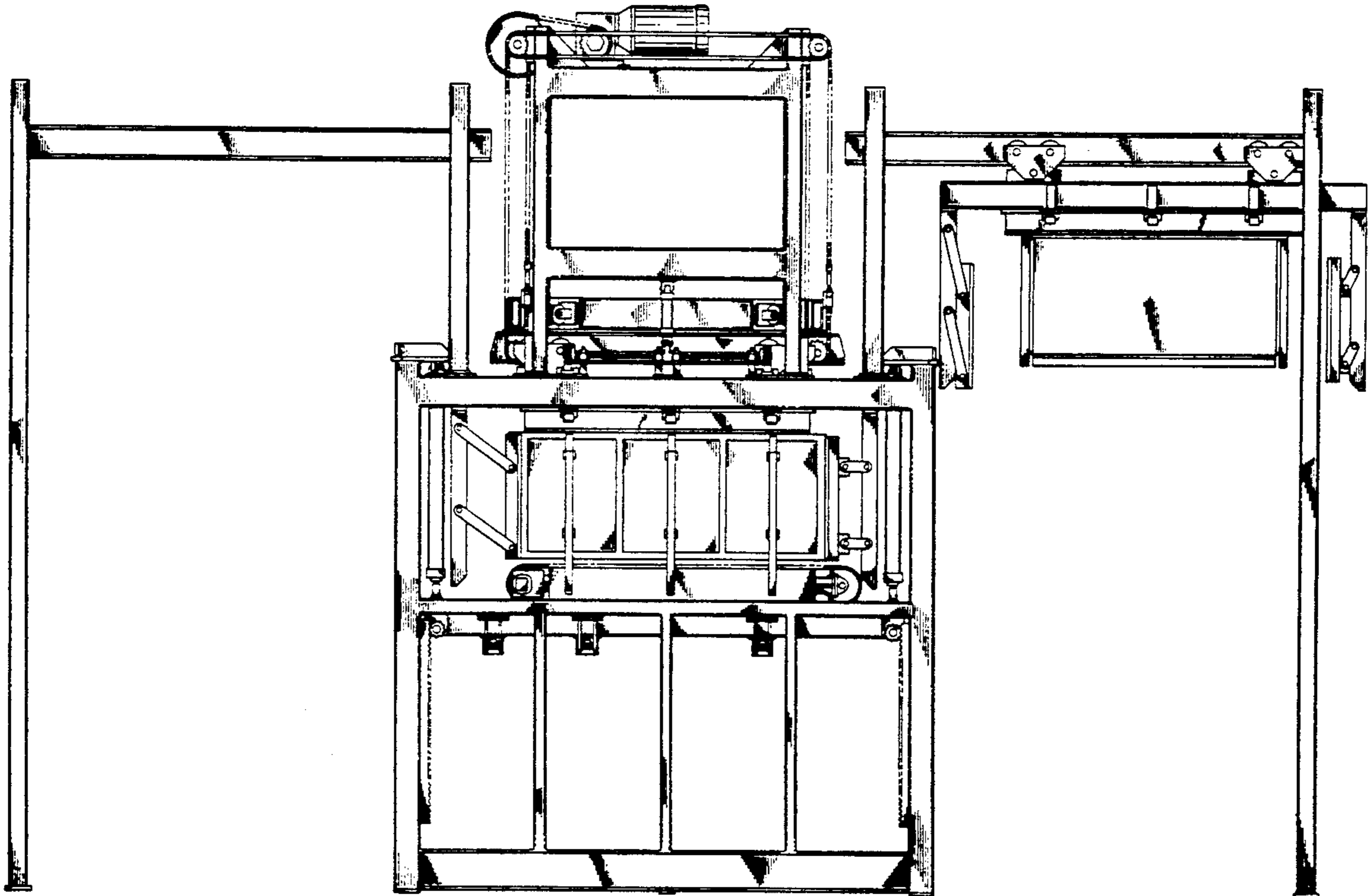
DESCRIPTION

[56] References Cited

U.S. PATENT DOCUMENTS

D. 189,319 11/1960 Verderber D15/136

FIG. 1 is a front elevational view of a machine for foaming refrigerator cavities showing the new design; FIG. 2 is a right side view thereof; FIG. 3 is a rear plan view thereof; FIG. 4 is a left side view thereof; and, FIG. 5 is a top plan view thereof.



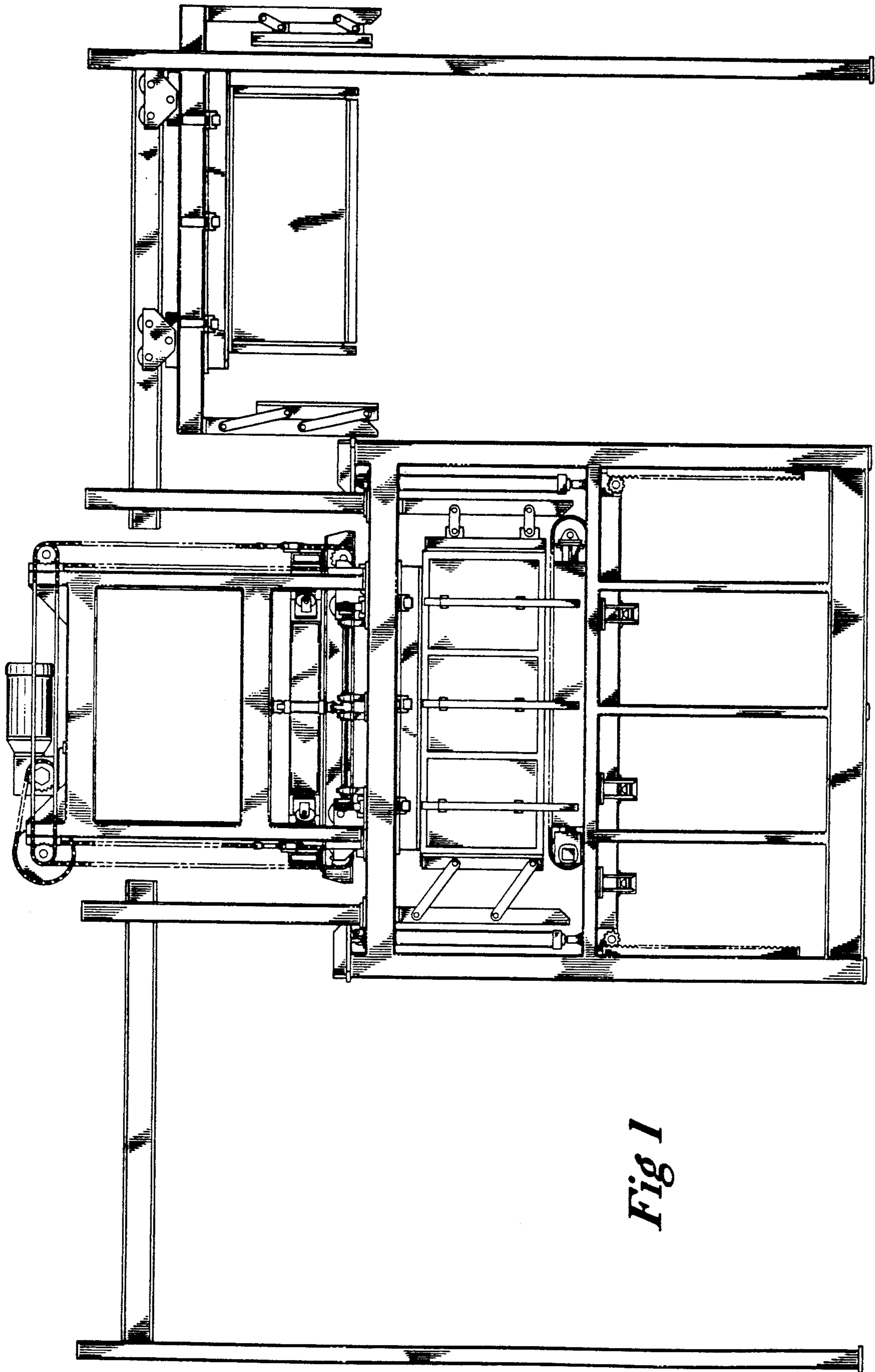


Fig 1

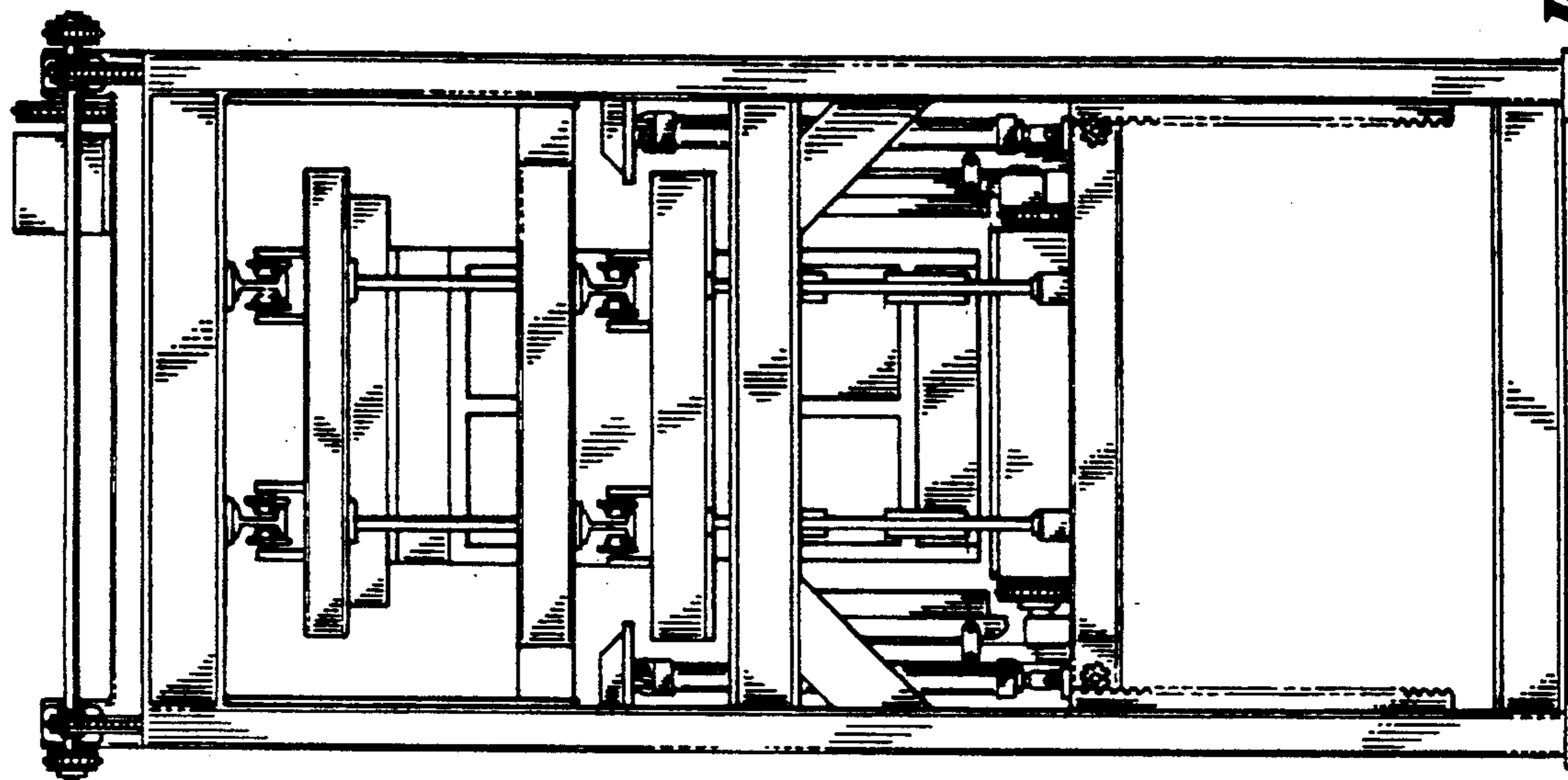


Fig 4

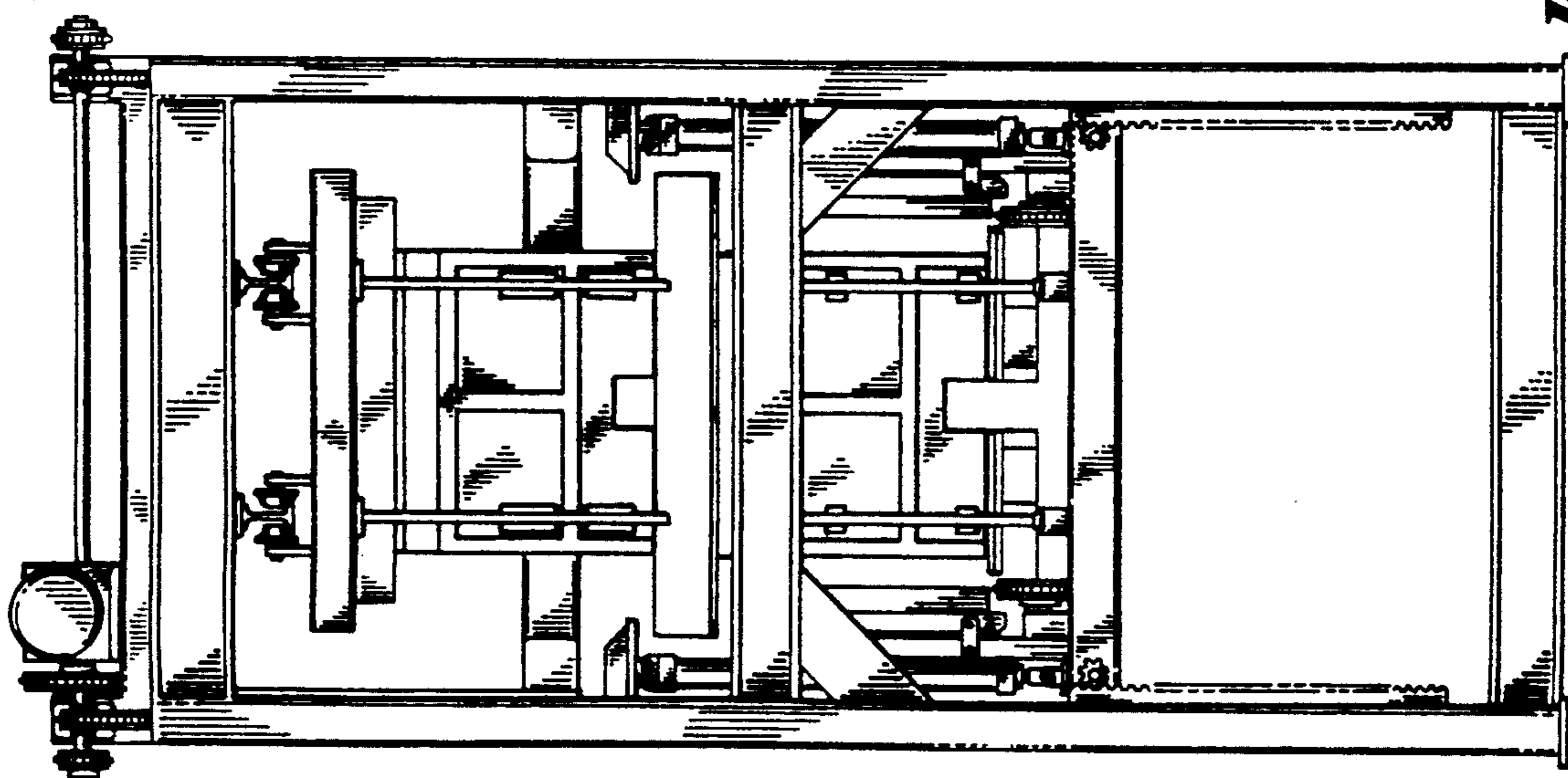


Fig 2

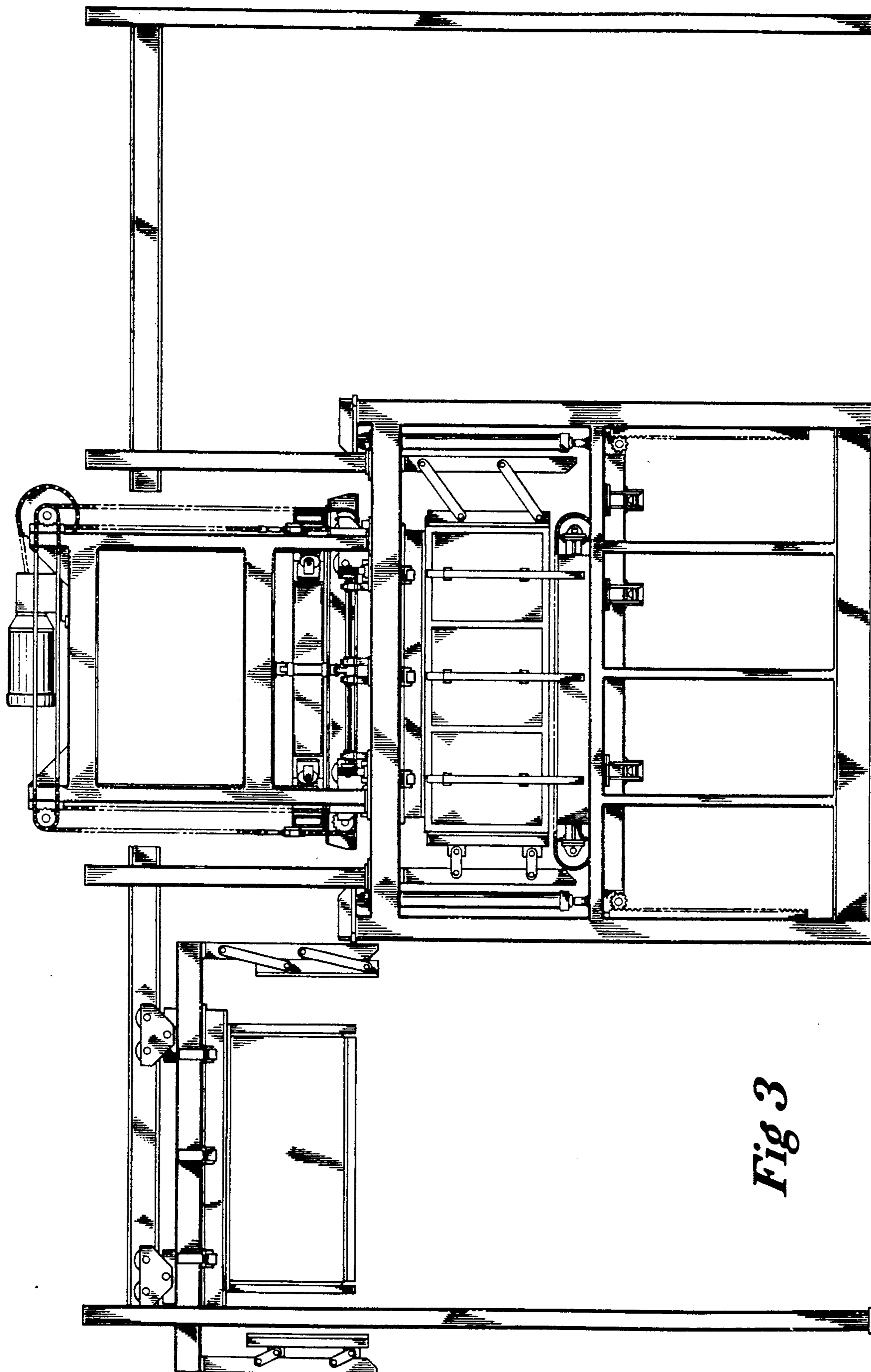


Fig 3

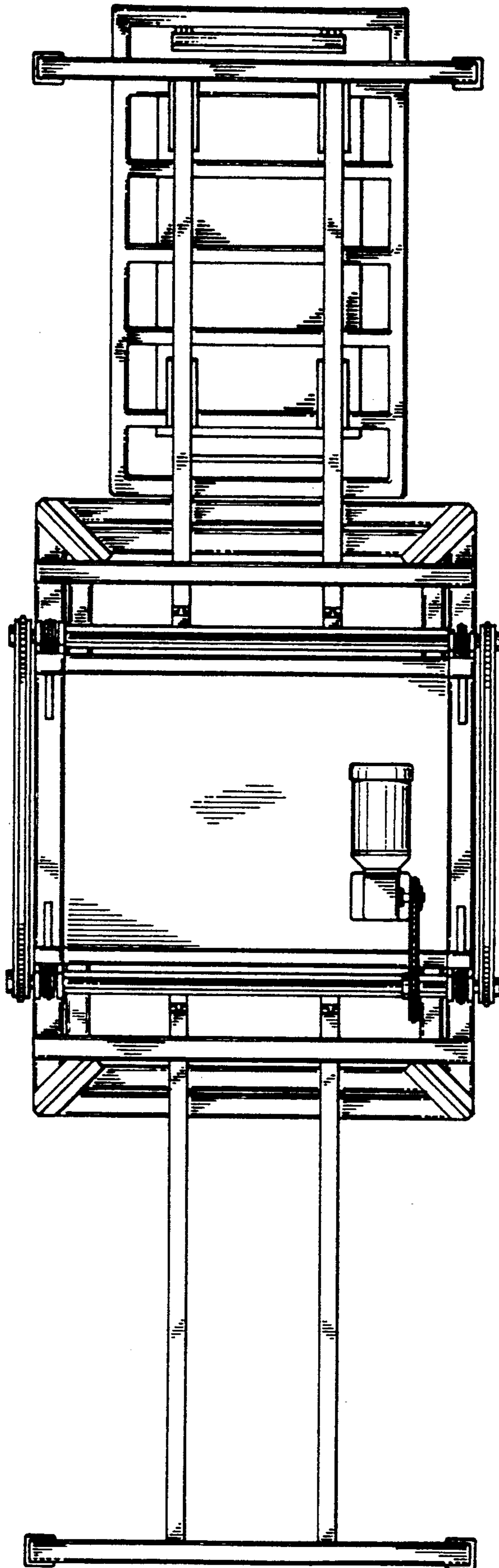


Fig 5