



US00D341600S

United States Patent [19]

[11] Patent Number: **Des. 341,600**

Wixey et al.

[45] Date of Patent: **** Nov. 23, 1993**

[54] **WOOD SHAPER**

[75] Inventors: **Barry D. Wixey, Pittsburgh; Kenneth Kapton, Verona, both of Pa.**

[73] Assignee: **Delta International Machinery Corp., Pittsburgh, Pa.**

[**] Term: **14 Years**

[21] Appl. No.: **525,351**

[22] Filed: **May 22, 1990**

[52] U.S. Cl. **D15/131**

[58] Field of Search **D15/125, 126, 127, 128, 129, 130, 131, 132; 144/3 R, 134 R, 253 R, 371, 367; 409/134, 163**

| | | | |
|-----------|---------|-----------------------|-------------|
| 4,362,196 | 12/1982 | Ferdinand et al. | 409/134 X |
| 4,768,569 | 9/1988 | Spech | 144/3 R X |
| 4,893,661 | 1/1990 | Onsrud | 144/134 |
| 5,042,542 | 8/1991 | Purviance | 144/134 R X |
| 5,117,880 | 6/1992 | Kapton et al. | 409/134 X |

Primary Examiner—Alan P. Douglas
Assistant Examiner—Antoine D. Davis
Attorney, Agent, or Firm—Merchant, Gould, Smith, Edell, Welter & Schmidt

[57] CLAIM

The ornamental design for a wood shaper, as shown.

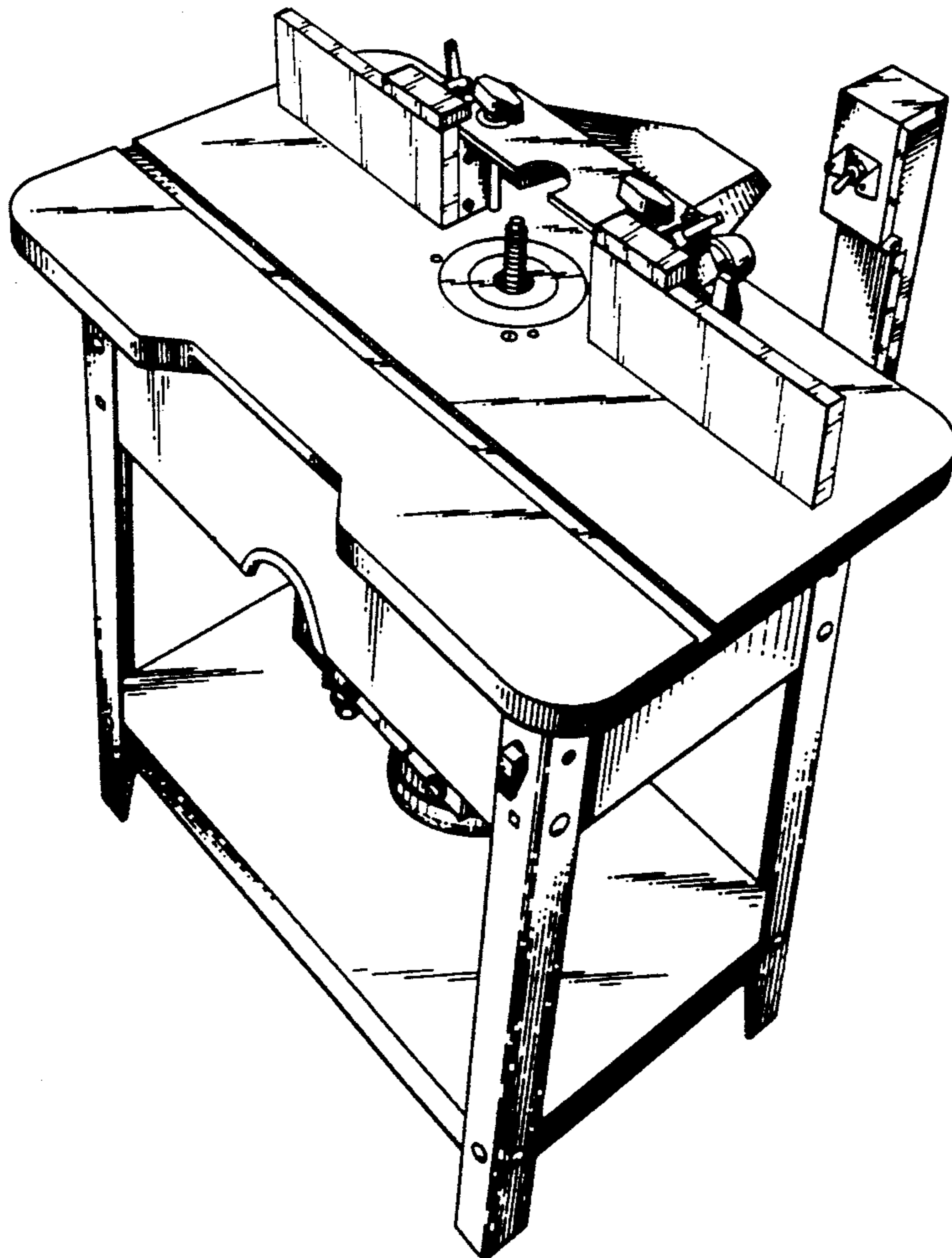
DESCRIPTION

FIG. 1 is a perspective view of the invention;
FIG. 2 is a front view of the invention depicted in FIG. 1;
FIG. 3 is a top view of the invention depicted in FIG. 1;
FIG. 4 is a right side view of the invention depicted in FIG. 1;
FIG. 5 is a left side view of the invention depicted in FIG. 1; and,
FIG. 6 is a rear view of the invention depicted in FIG. 1.

[56] References Cited

U.S. PATENT DOCUMENTS

| | | | |
|------------|---------|-------------------|-------------|
| D. 328,904 | 8/1992 | Burns et al. | D15/130 |
| 2,210,135 | 8/1940 | Tautz et al. | 74/611 |
| 2,353,202 | 7/1944 | Tautz | 144/134 |
| 2,668,568 | 2/1954 | Budd | 144/253 R X |
| 2,972,365 | 2/1961 | Hurt | 144/134 R |
| 4,114,665 | 9/1978 | Decker | 144/253 R X |
| 4,176,697 | 12/1979 | Strauser | 144/253 R X |



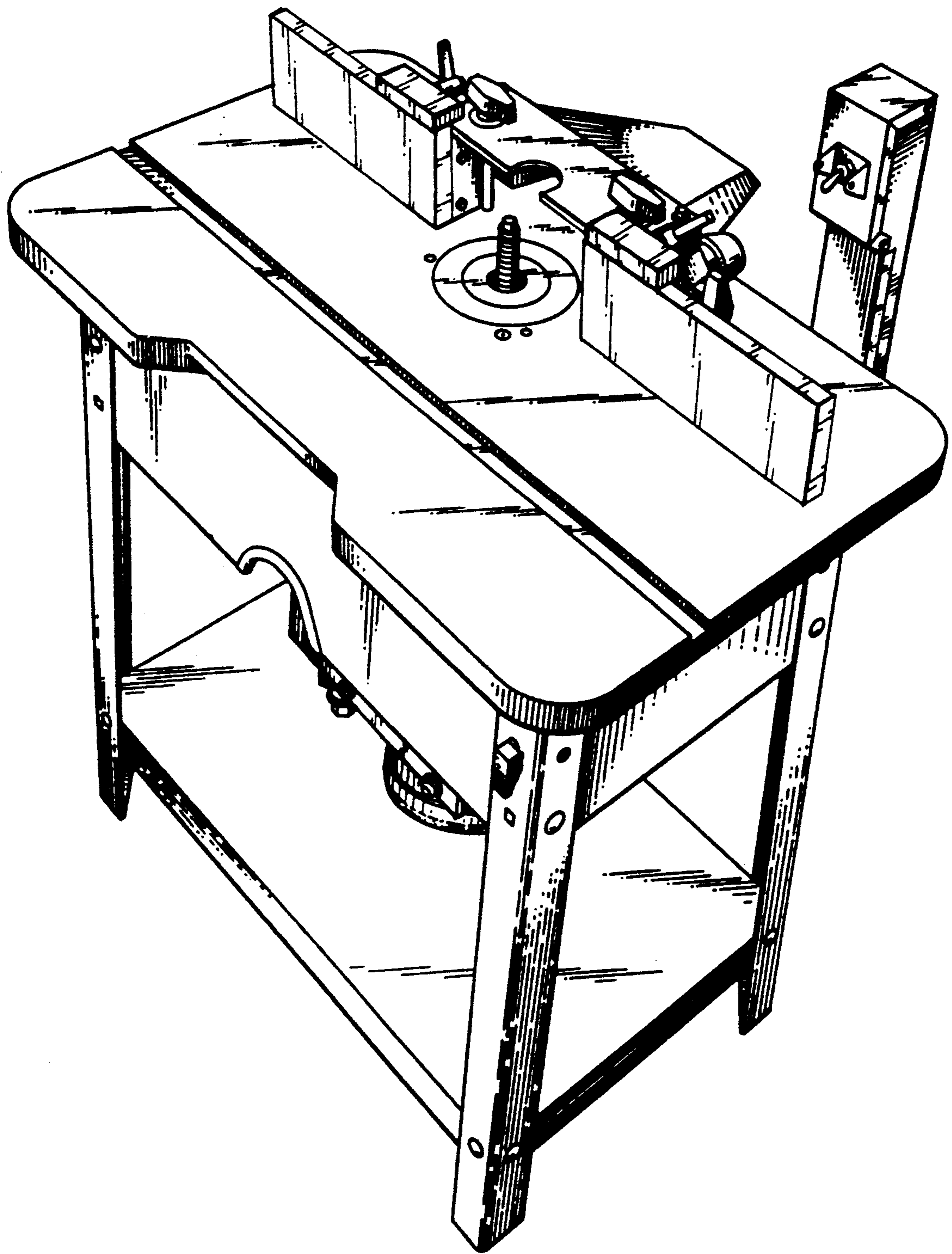


FIG. 1

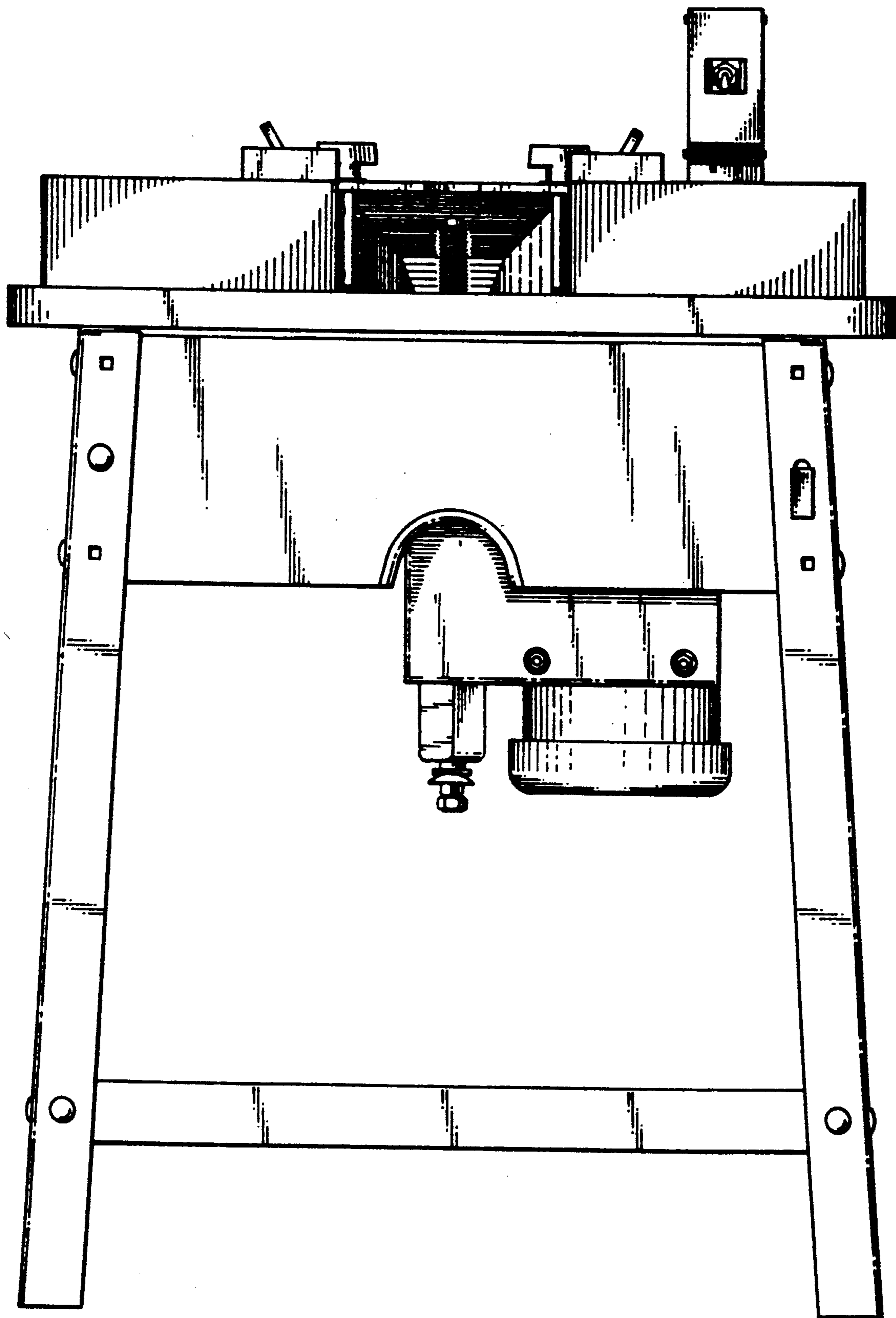


FIG. 2

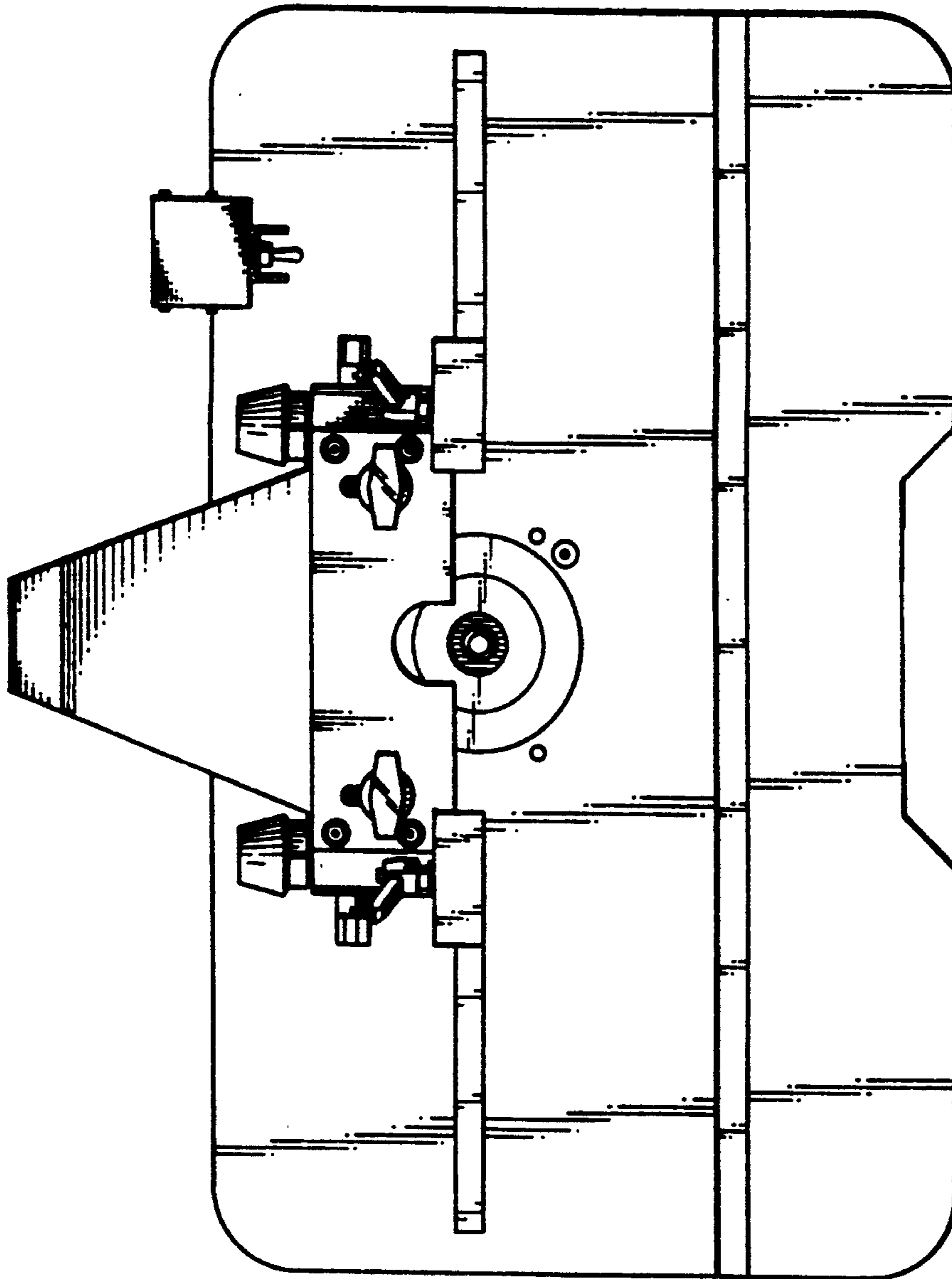


FIG. 3

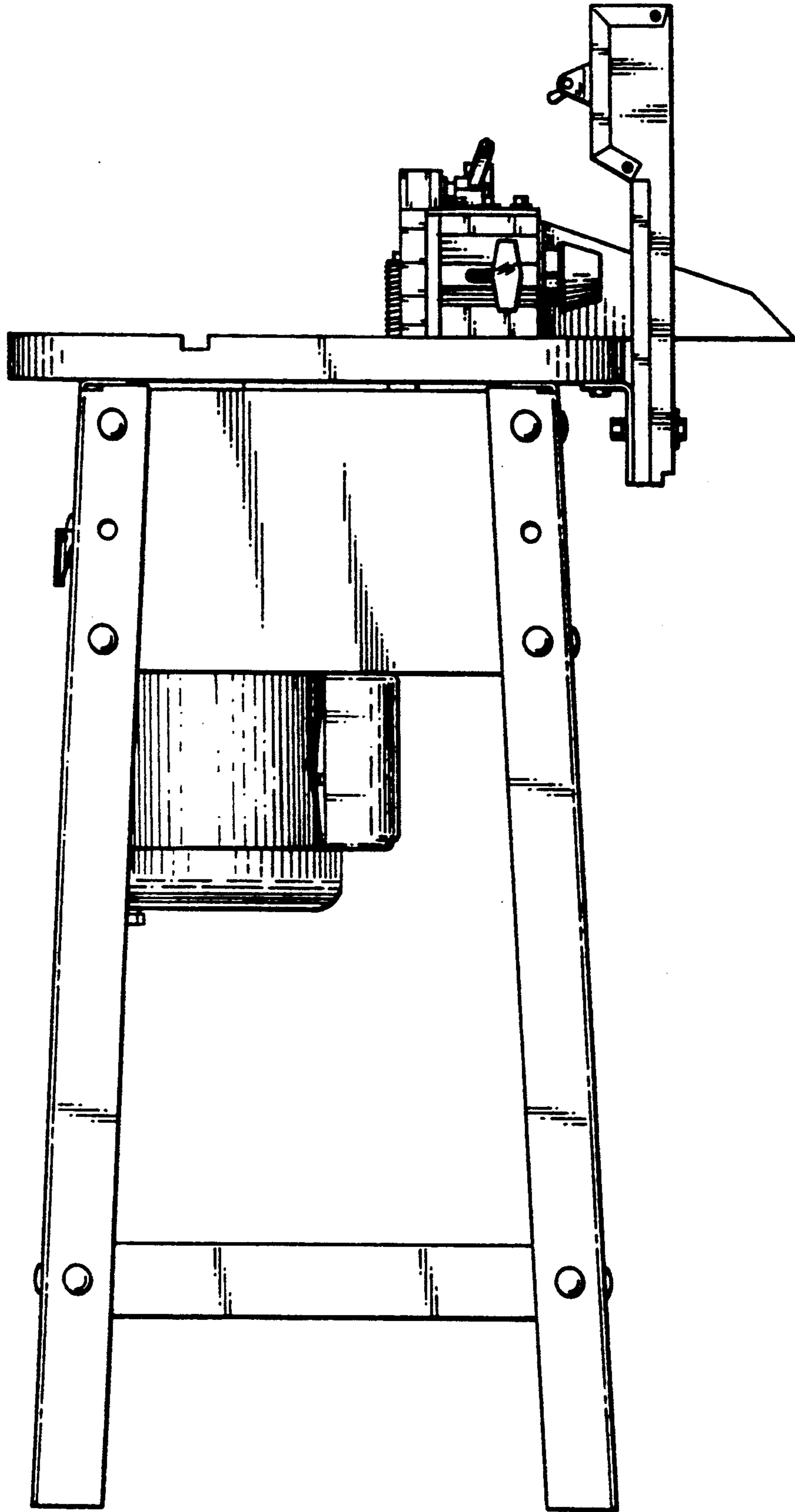


FIG. 4

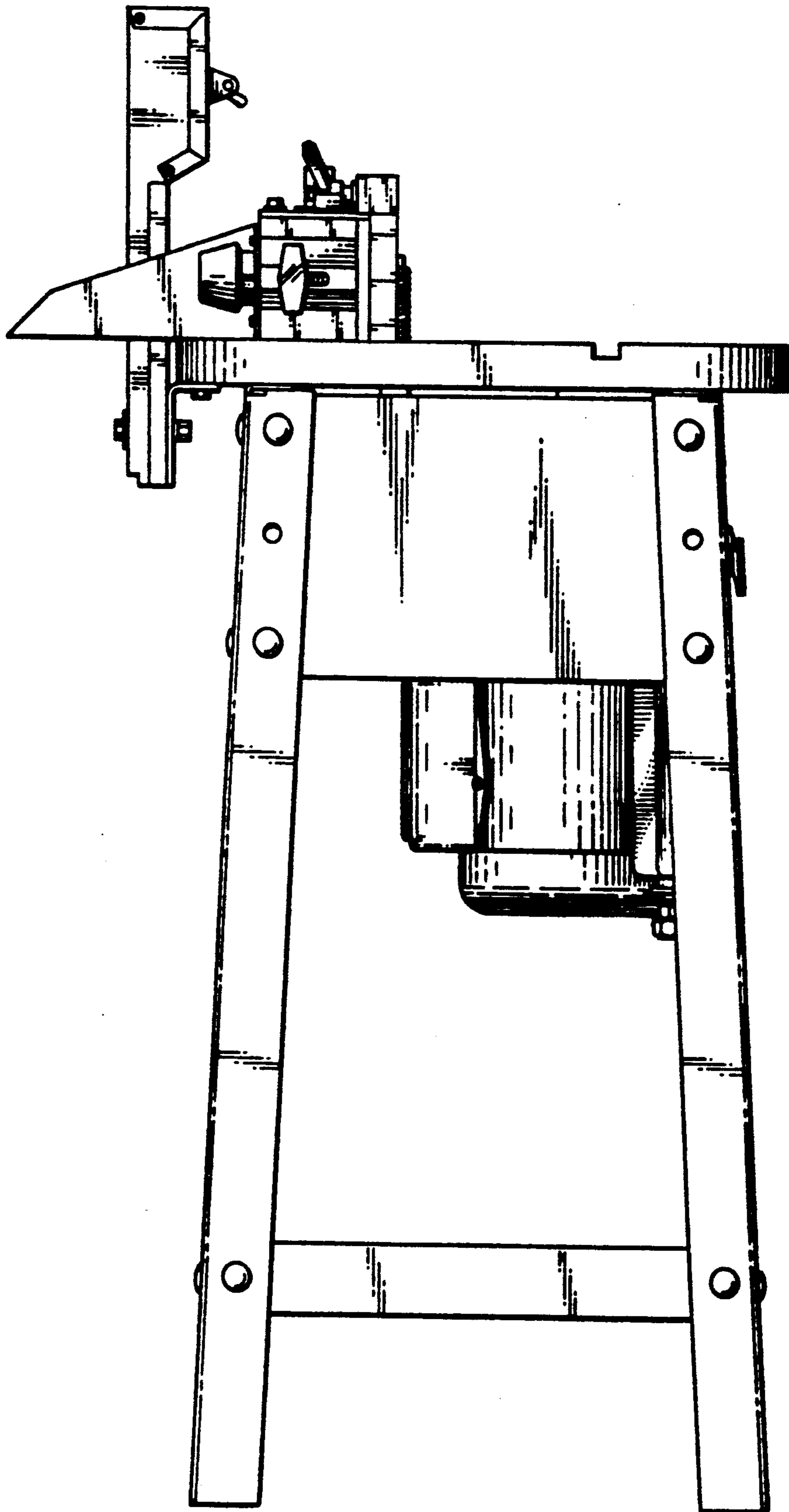


FIG. 5

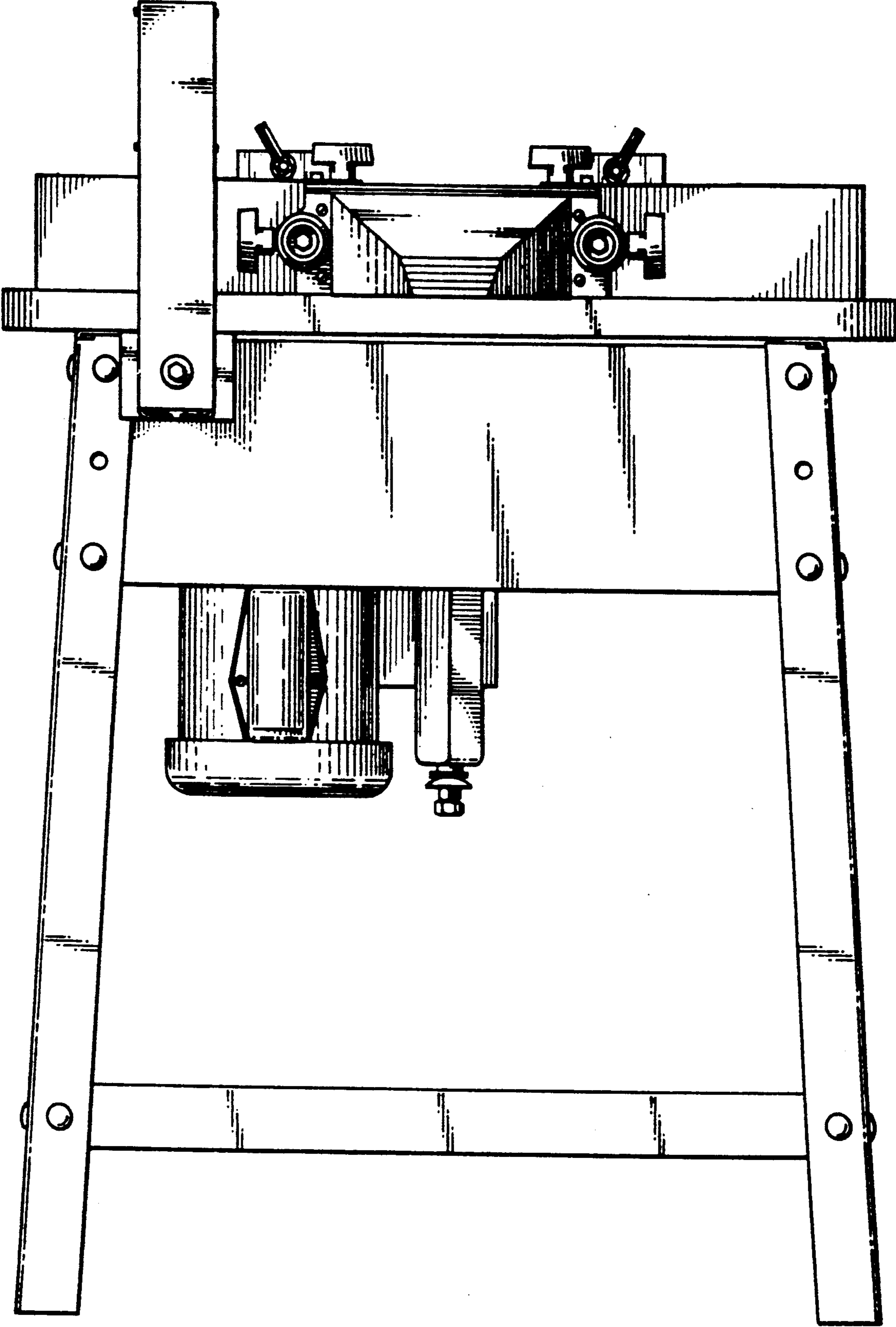


FIG. 6