



US00D341599S

# United States Patent [19]

[11] Patent Number: **Des. 341,599**

**Tanaka**

[45] Date of Patent: **\*\* Nov. 23, 1993**

[54] **PRESS**

[75] Inventor: **Asami Tanaka, Skokie, Ill.**

[73] Assignee: **Asami Tanaka Dental Enterprises, Skokie, Ill.**

[\*\*] Term: **14 Years**

[21] Appl. No.: **818,219**

[22] Filed: **Jan. 8, 1992**

[52] U.S. Cl. .... **D15/123**

[58] Field of Search ..... **D15/123; 72/60, 63; 100/280, 281, 283, 293, 233, 234, 902; 264/19**

[56] **References Cited**

**U.S. PATENT DOCUMENTS**

- D. 285,796 9/1986 Doyel ..... D15/123
- D. 331,245 11/1992 Boyer et al. .... D15/123

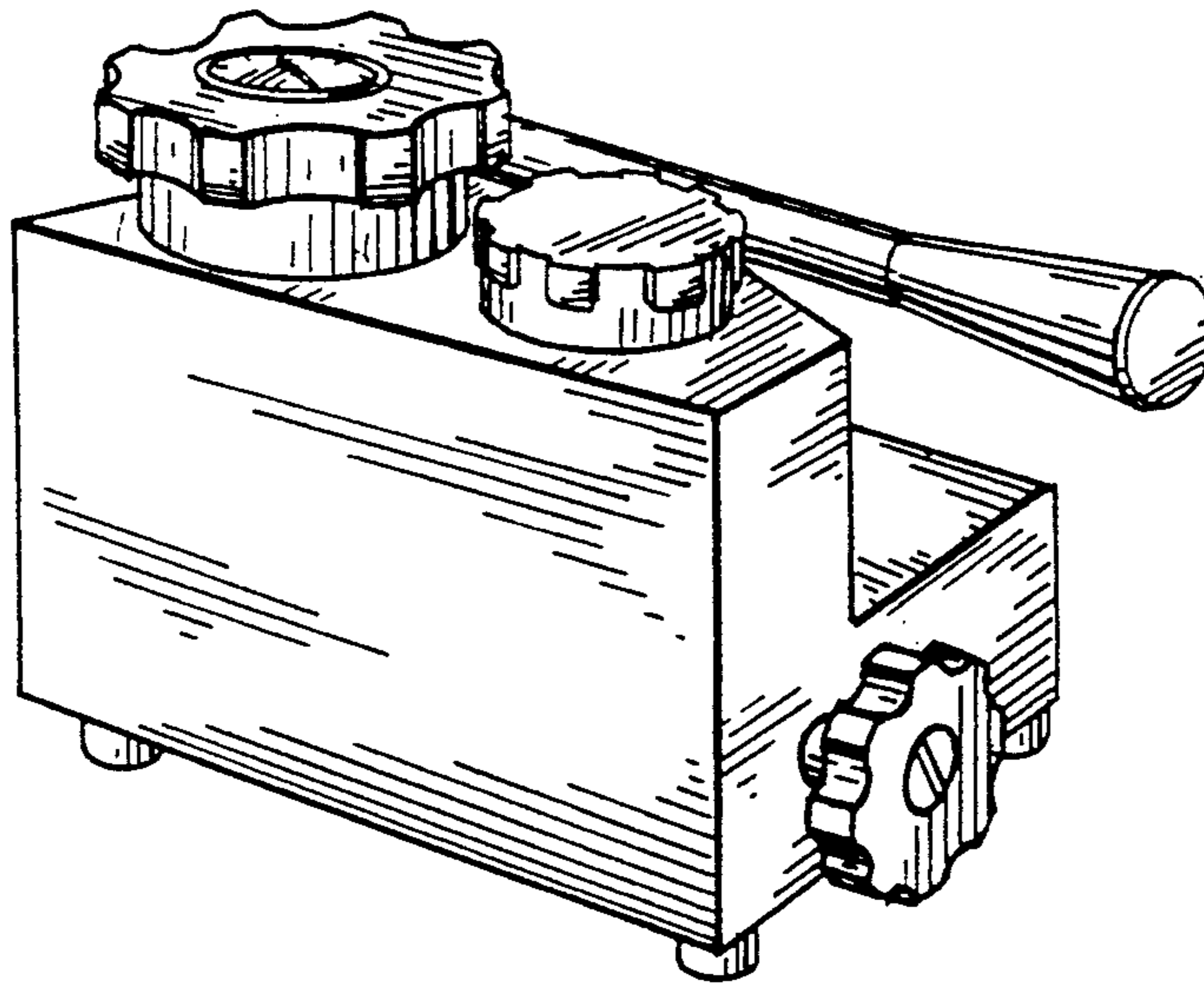
*Primary Examiner*—Alan P. Douglas  
*Assistant Examiner*—Antoine D. Davis  
*Attorney, Agent, or Firm*—Roper & Quigg

[57] **CLAIM**

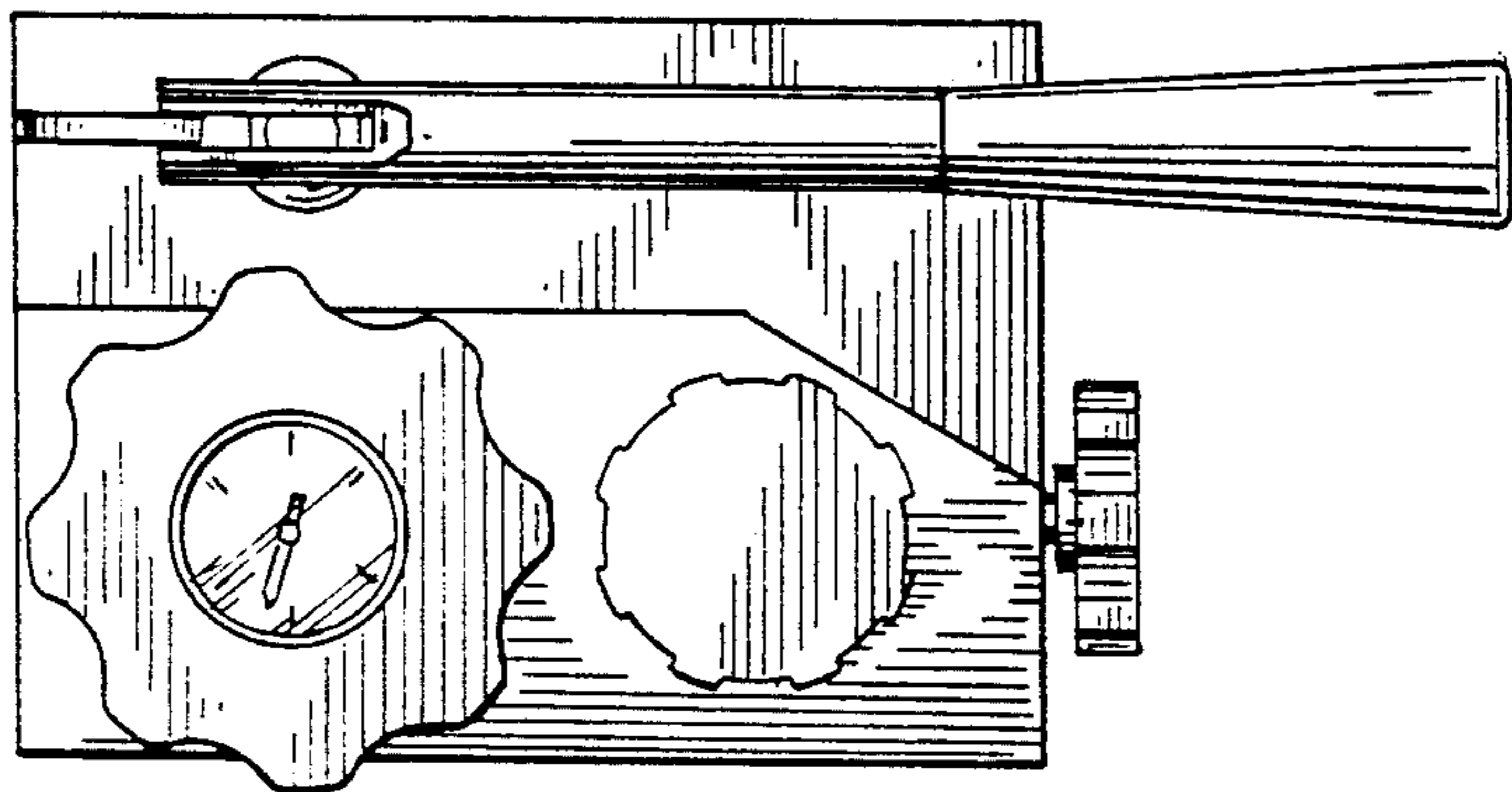
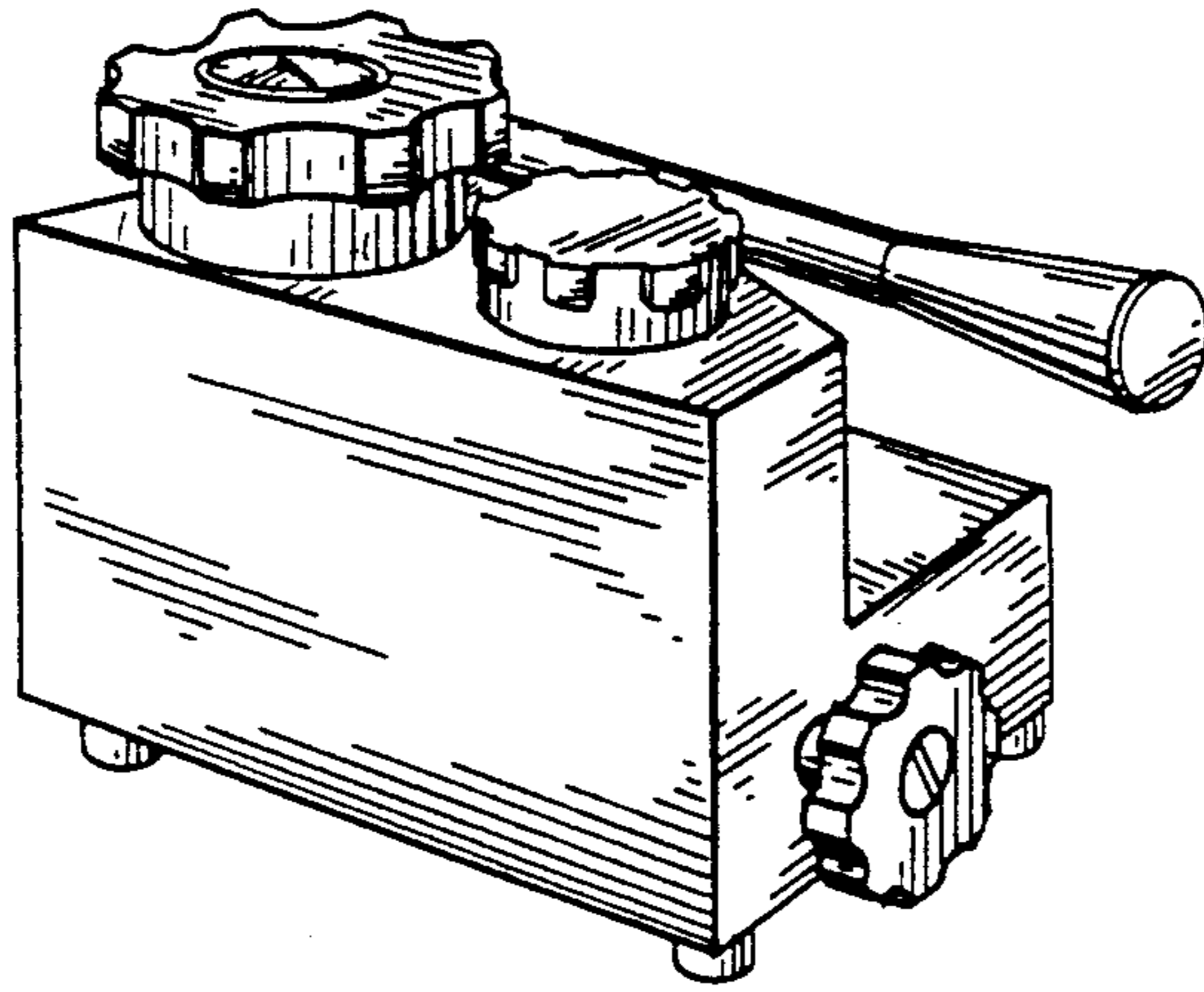
The ornamental design for a press, as shown and described.

**DESCRIPTION**

FIG. 1 is a perspective view of a press showing my new design;  
FIG. 2 is a top plan view of the press shown in FIG. 1;  
FIG. 3 is a side view of the press shown in FIG. 1;  
FIG. 4 is a front plan view of the press shown in FIG. 1;  
FIG. 5 is a bottom plan view of the press shown in FIG. 1;  
FIG. 6 is a side view of the press shown in FIG. 1, opposite to that shown in FIG. 3; and,  
FIG. 7 is a rear view of the press shown in FIG. 1.

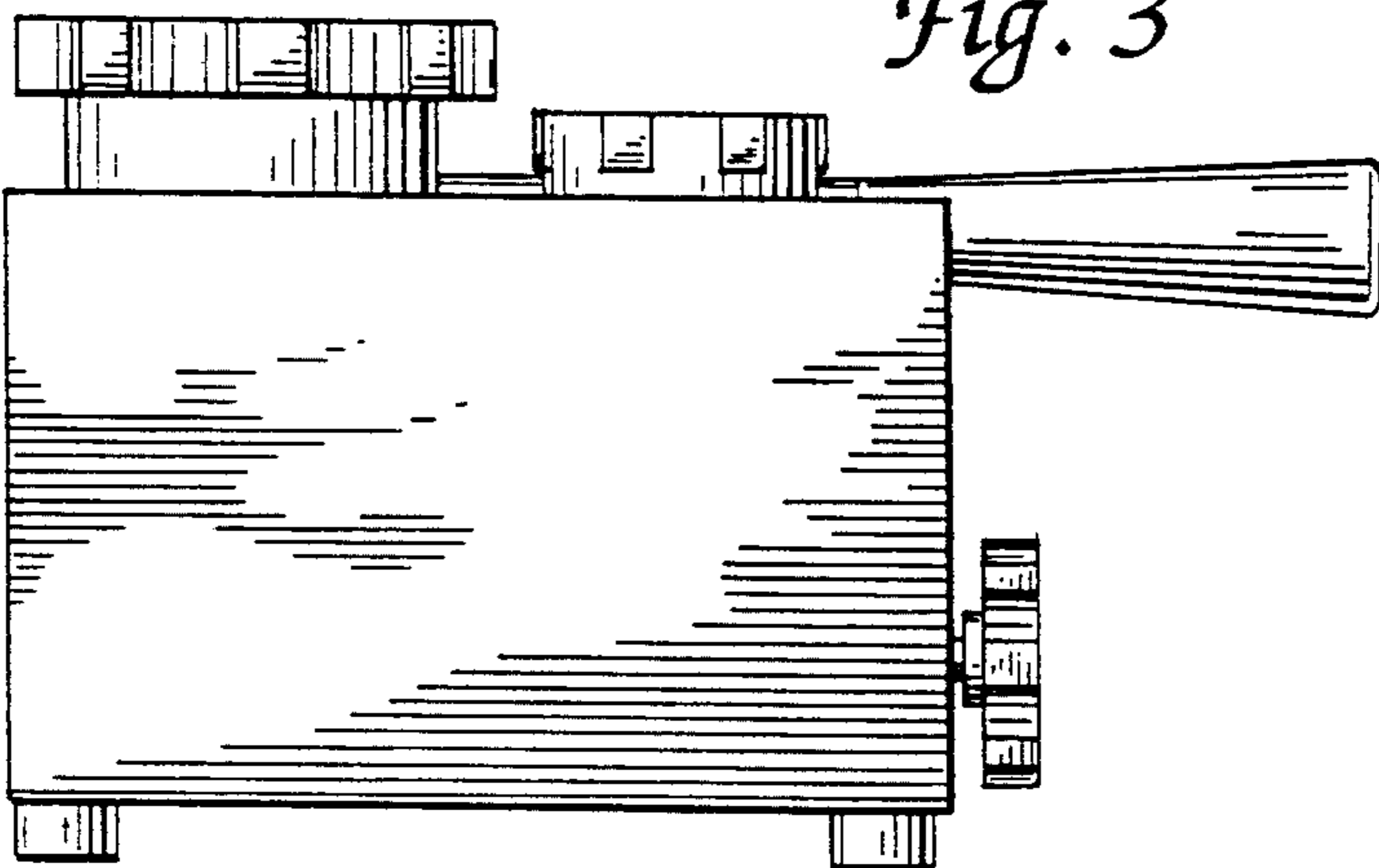


*Fig. 1*

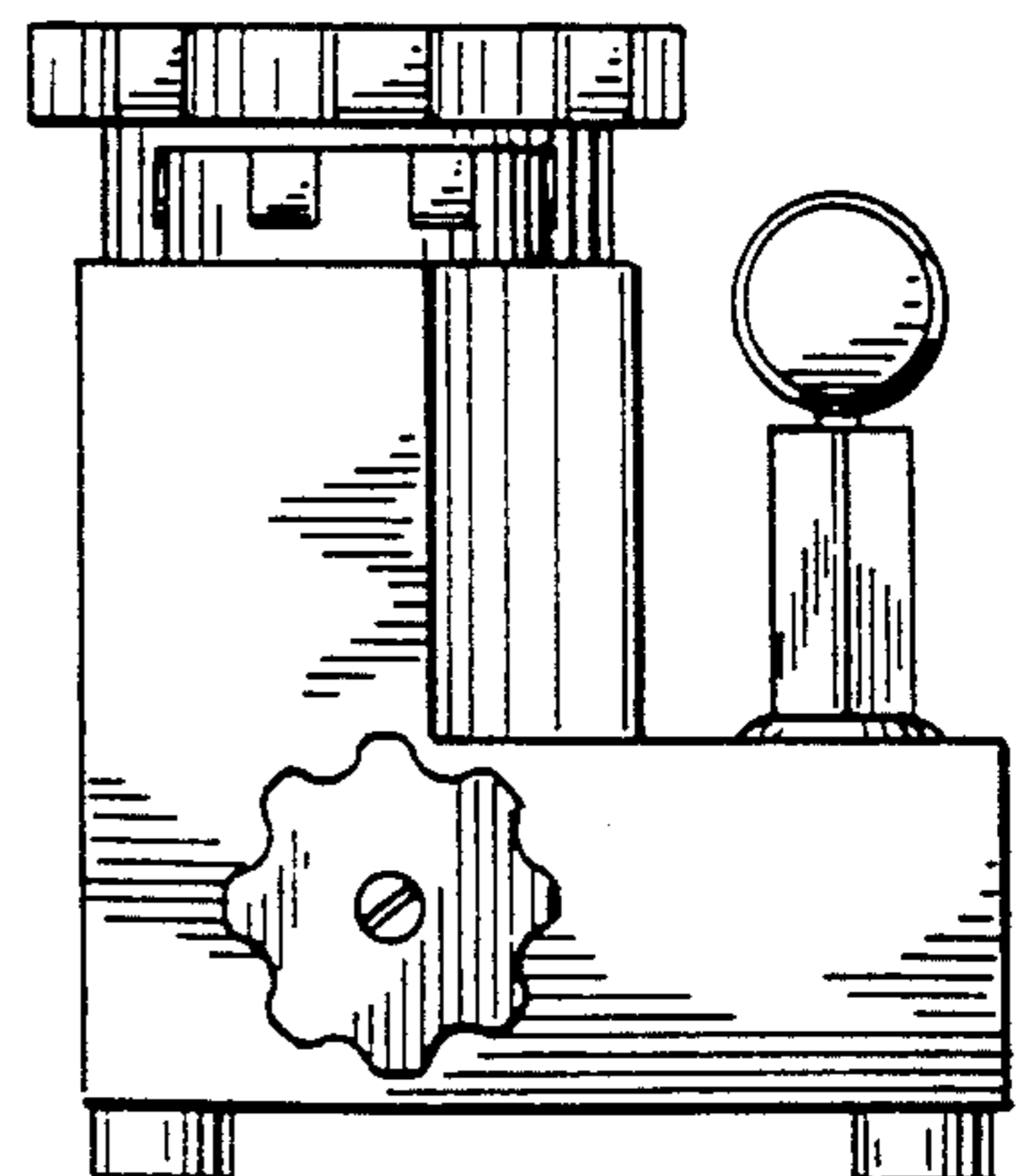


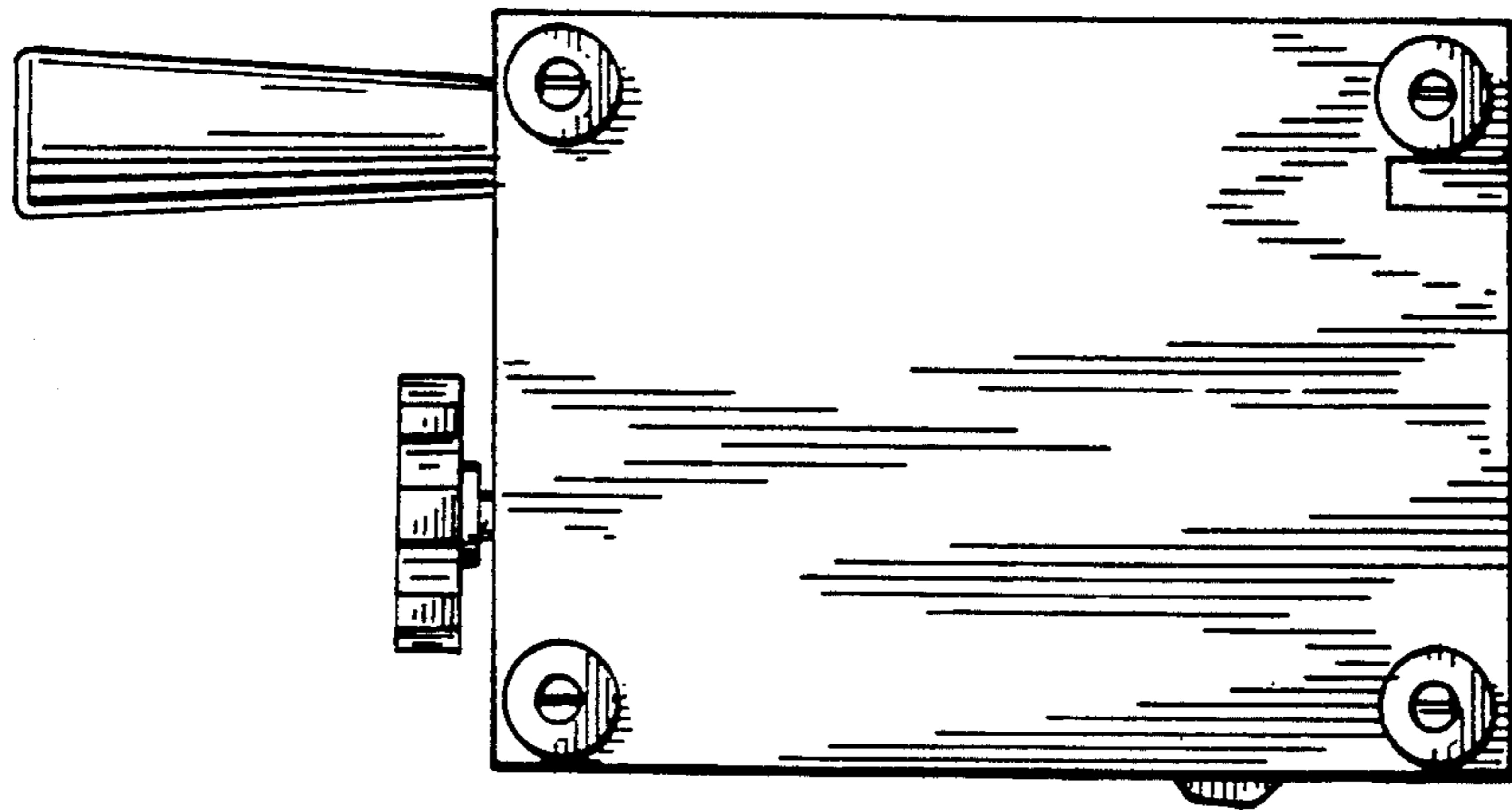
*Fig. 2*

*Fig. 3*

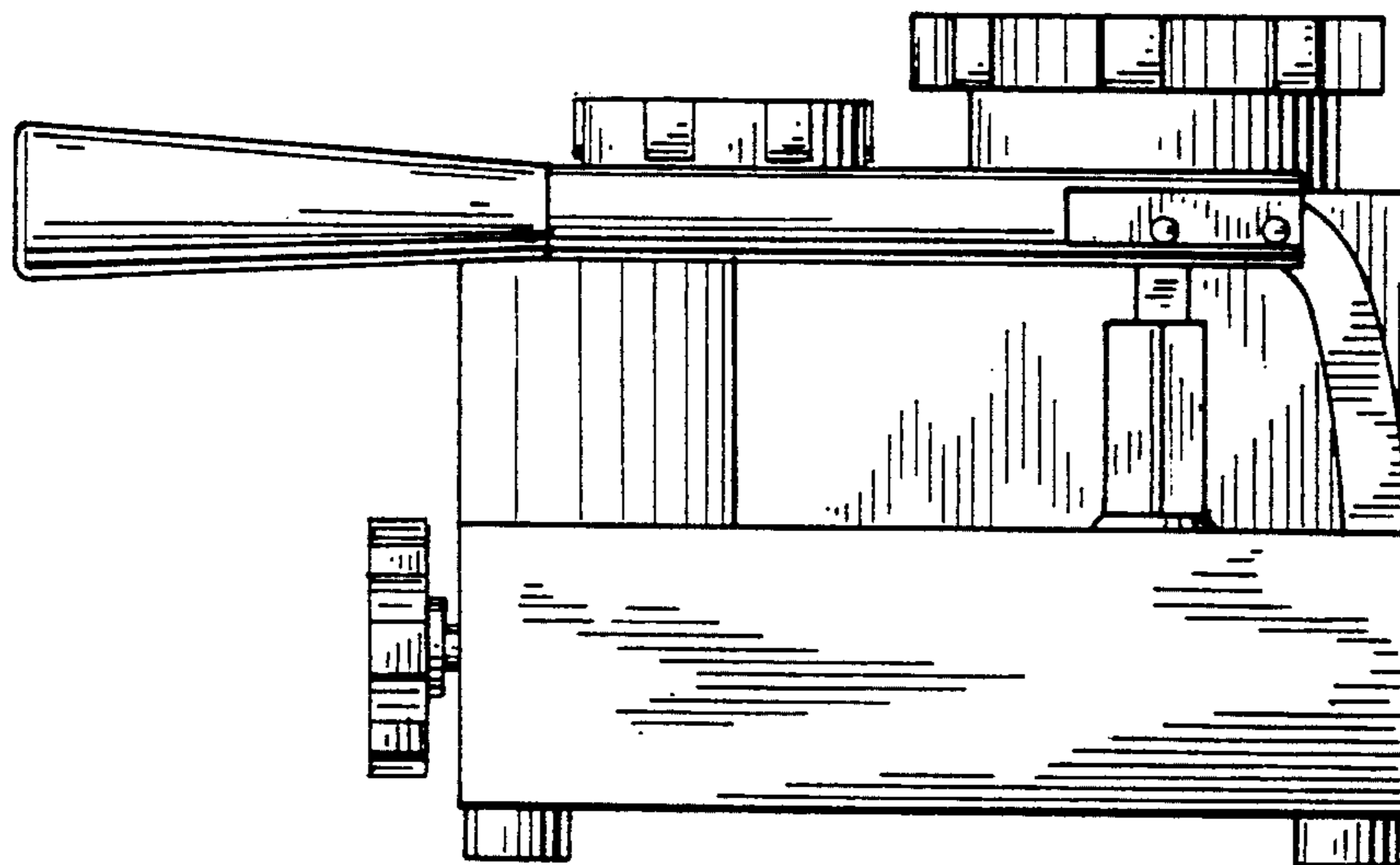


*Fig. 4*





*Fig. 5*



*Fig. 6*

*Fig. 7*

