



US00D341596S

United States Patent [19]

Stein

[11] Patent Number: **Des. 341,596**

[45] Date of Patent: **** Nov. 23, 1993**

- [54] ENGINE COOLANT HEATER
- [75] Inventor: **John Stein, Spokane, Wash.**
- [73] Assignee: **Kim Hotstart Manufacturing Company, Spokane, Wash.**
- [**] Term: **14 Years**
- [21] Appl. No.: **831,969**
- [22] Filed: **Feb. 6, 1992**
- [52] U.S. Cl. **D15/5**
- [58] Field of Search **D15/1-5, D15/7; 219/38; 123/142.5 R, 198 C; 237/12.3 B, 12.3 C, 80; D23/260**

3,400,700	9/1968	Lindsey et al.	123/142.5
4,381,742	5/1983	Funk	123/142.5 R
4,996,952	3/1991	Hall	123/198 C
5,174,254	12/1992	Humburg	123/142.5 R

FOREIGN PATENT DOCUMENTS

379877 8/1932 United Kingdom .

Primary Examiner—A. Hugo Word
Assistant Examiner—R. Seifert
Attorney, Agent, or Firm—Wells, St. John, Roberts, Gregory & Matkin

[57] CLAIM

The ornamental design for engine coolant heater, as shown and described.

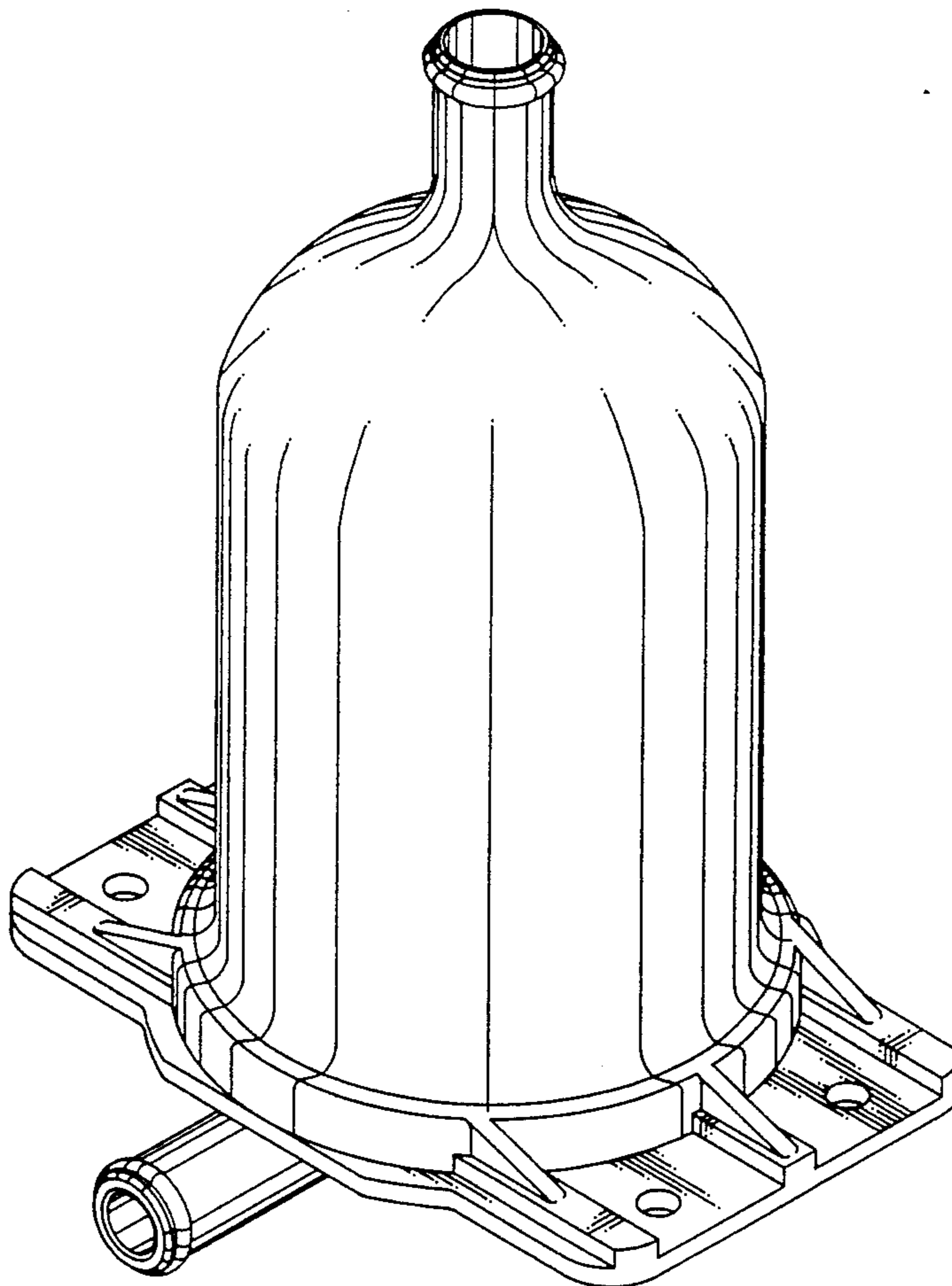
[56] References Cited

U.S. PATENT DOCUMENTS

D. 51,858	3/1918	Haas	D15/6
D. 130,652	12/1941	Heath	D15/7
D. 287,997	1/1987	Honma	D23/260
D. 294,581	3/1988	Storlie	D15/5
1,948,731	2/1934	Olin .	
2,492,001	12/1949	Olson	219/38
2,612,885	10/1952	Cox	123/142.5

DESCRIPTION

FIG. 1 is a front perspective view of the engine coolant heater;
 FIG. 2 is a front elevation view;
 FIG. 3 is a side elevation view, the opposite side being a mirror image;
 FIG. 4 is a rear elevation view;
 FIG. 5 is a top view; and,
 FIG. 6 is a bottom view.



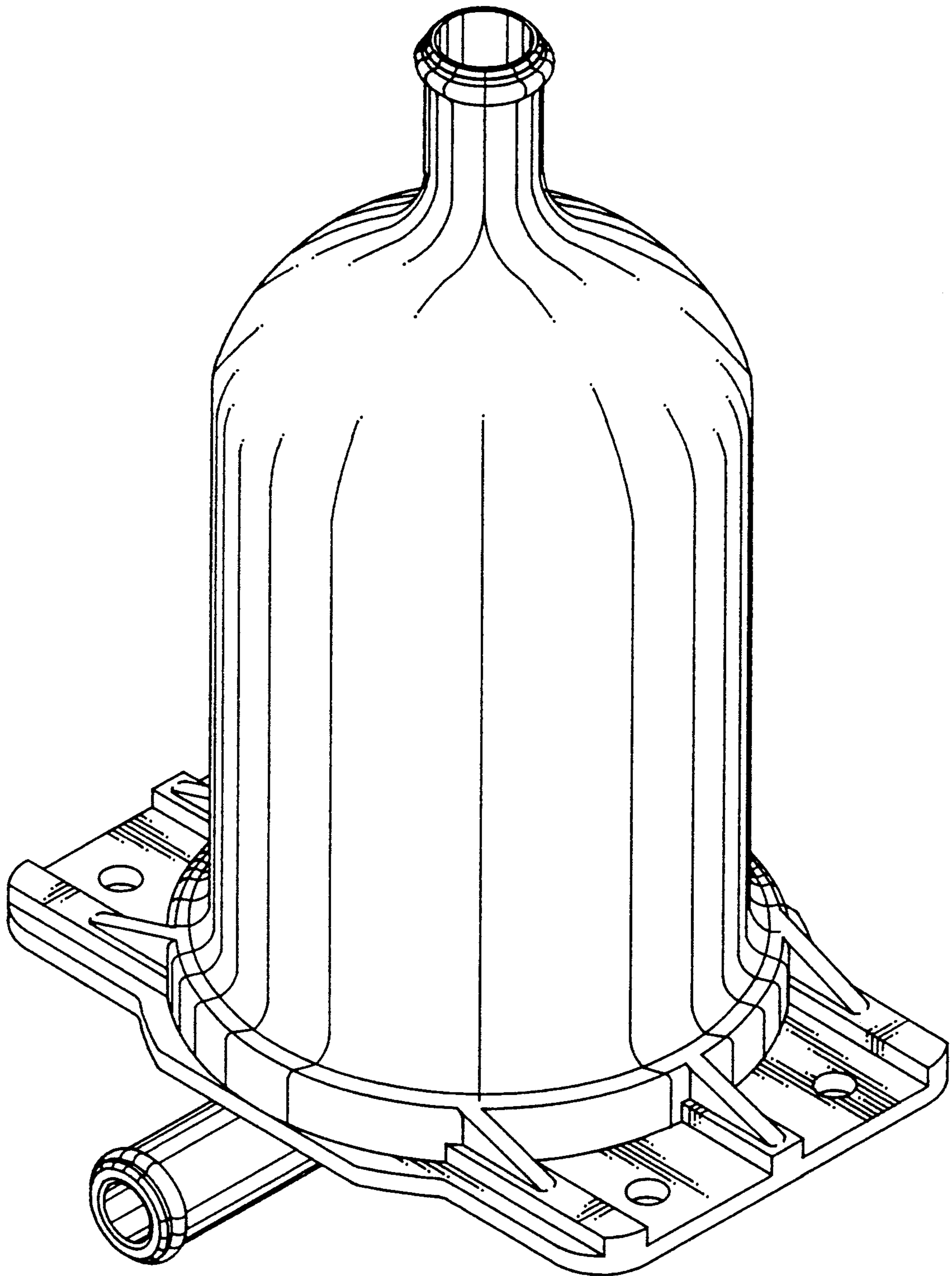
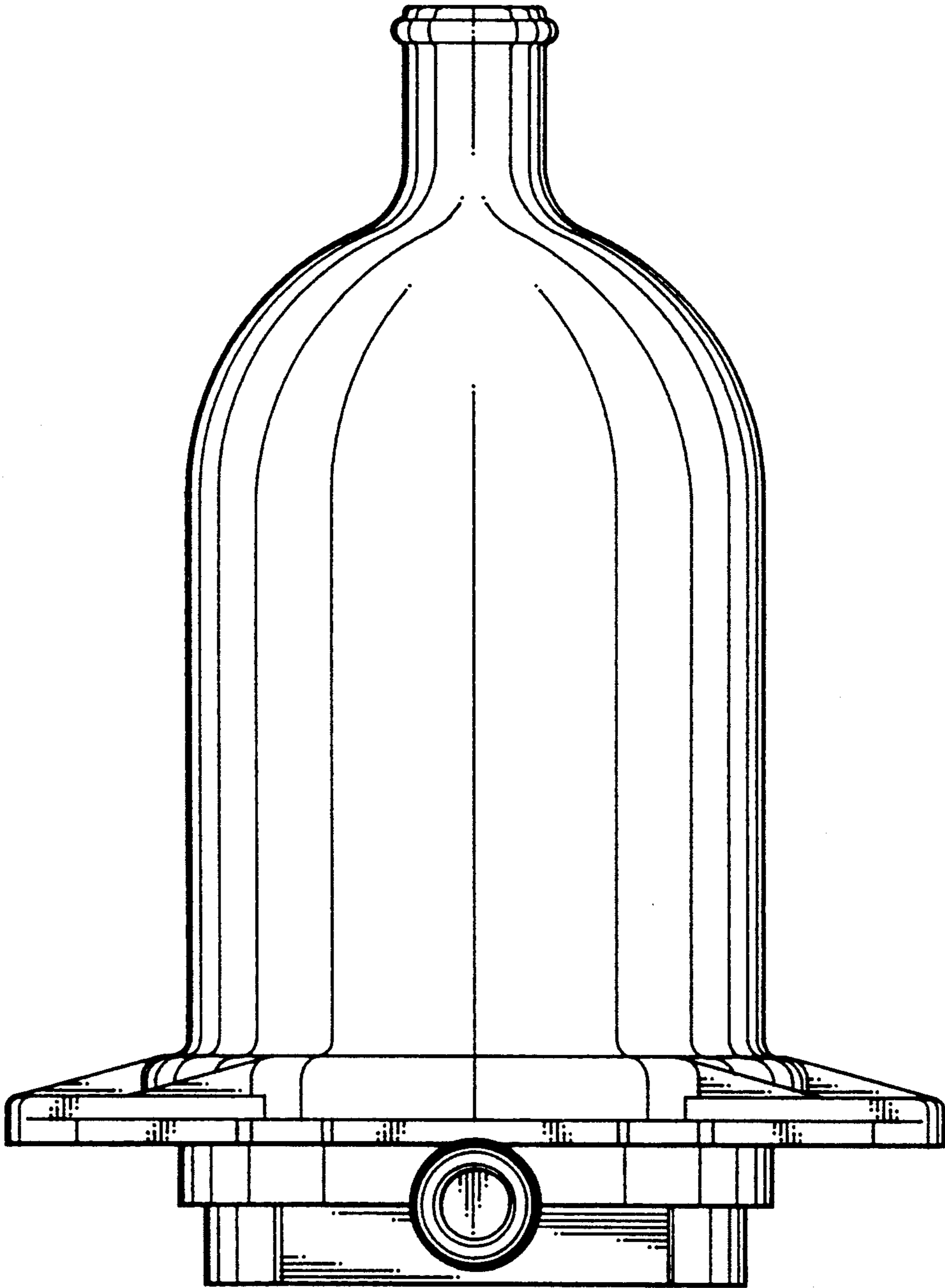


FIG. 1



It is hereby certified that the design herein is new and original.

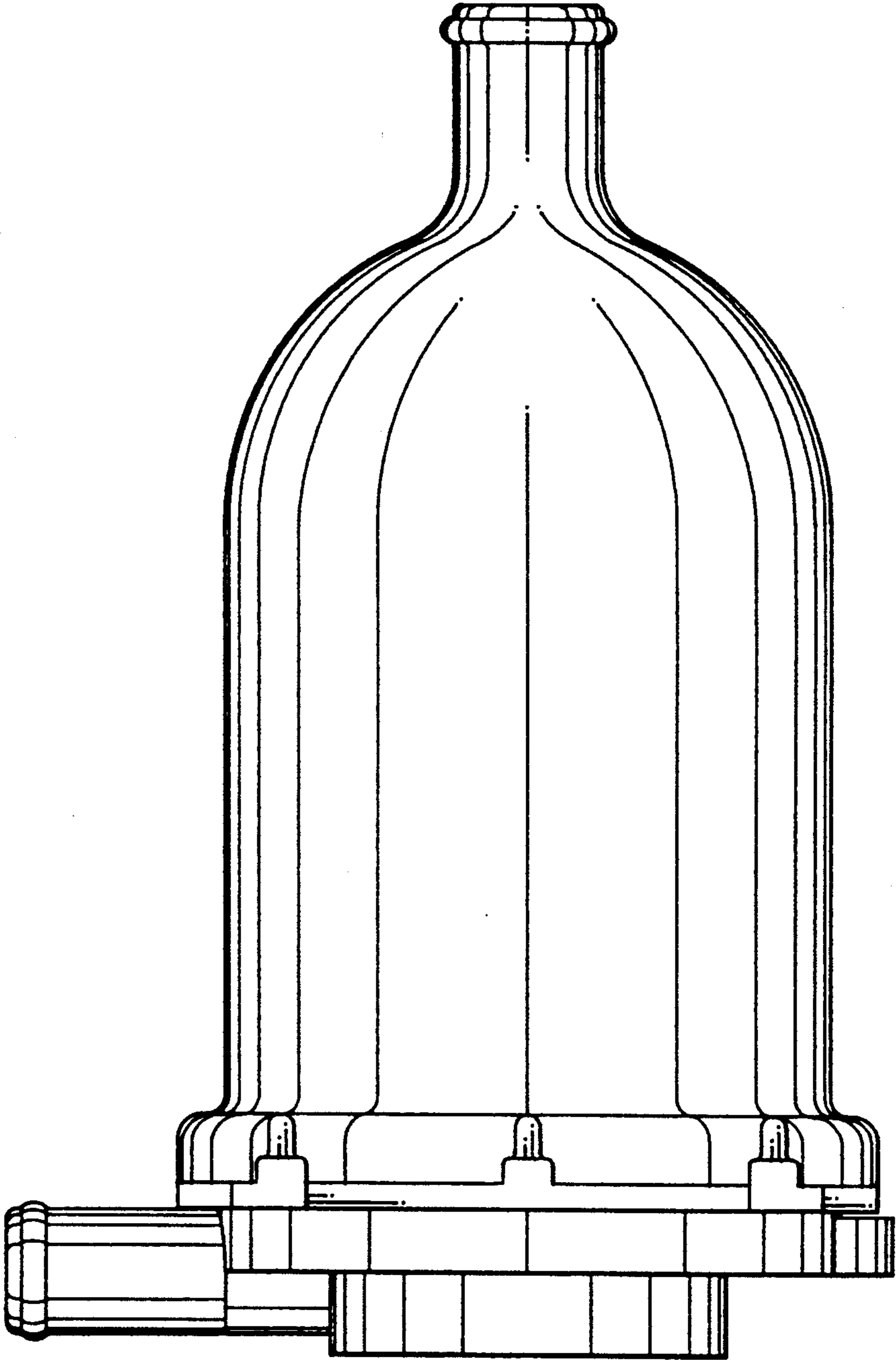


FIG. 3

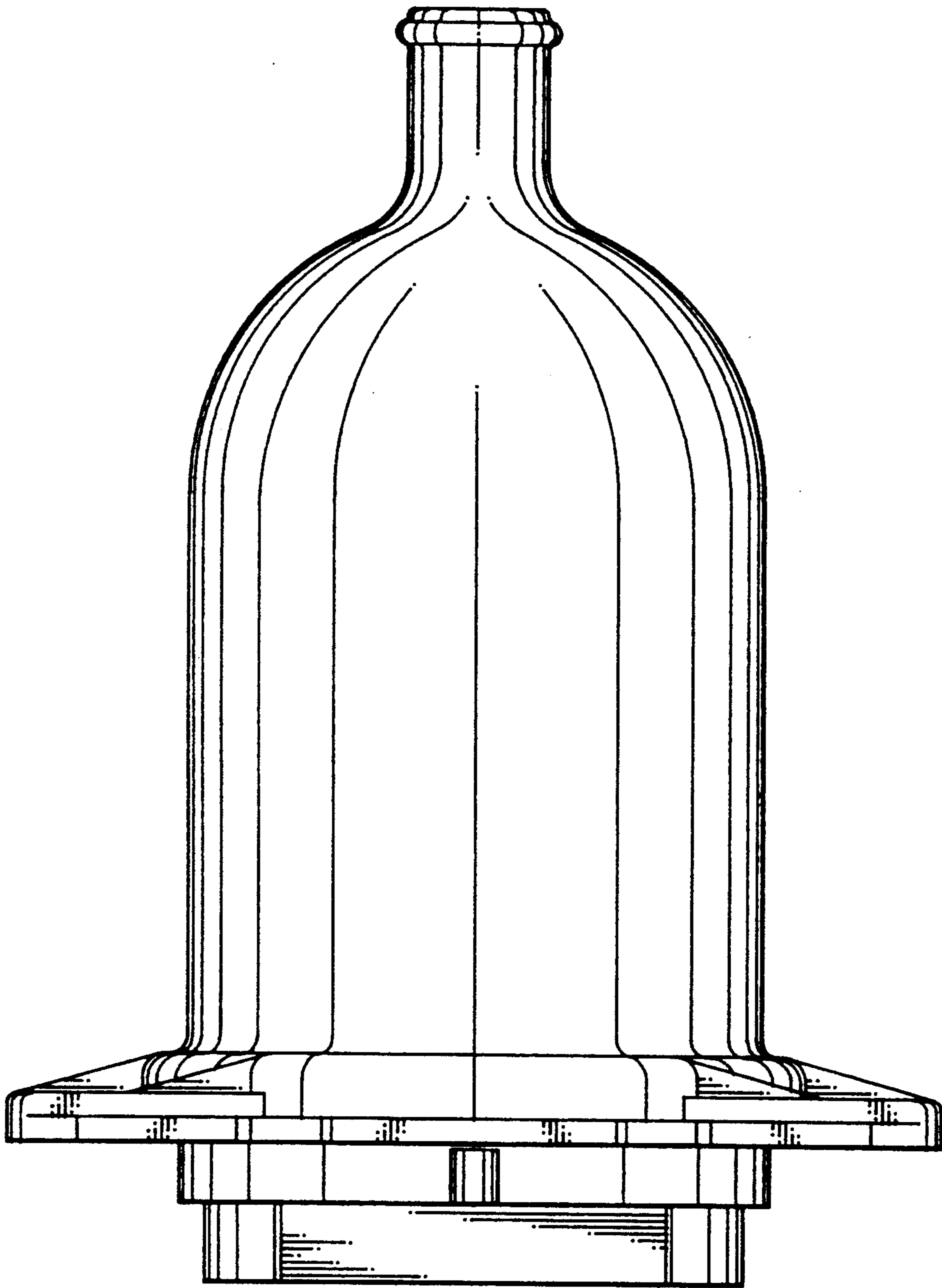


Fig. 4

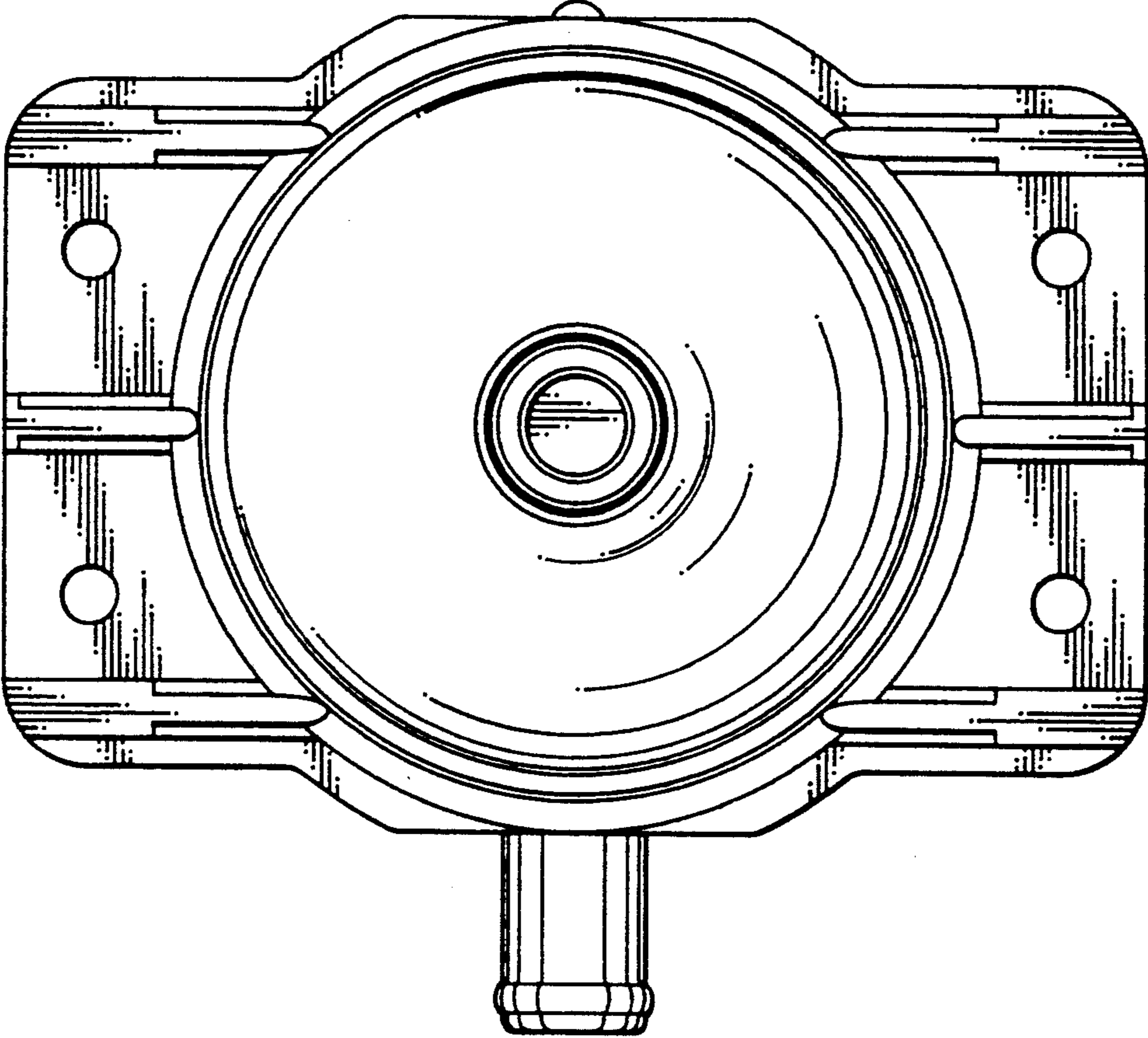


Fig. 5

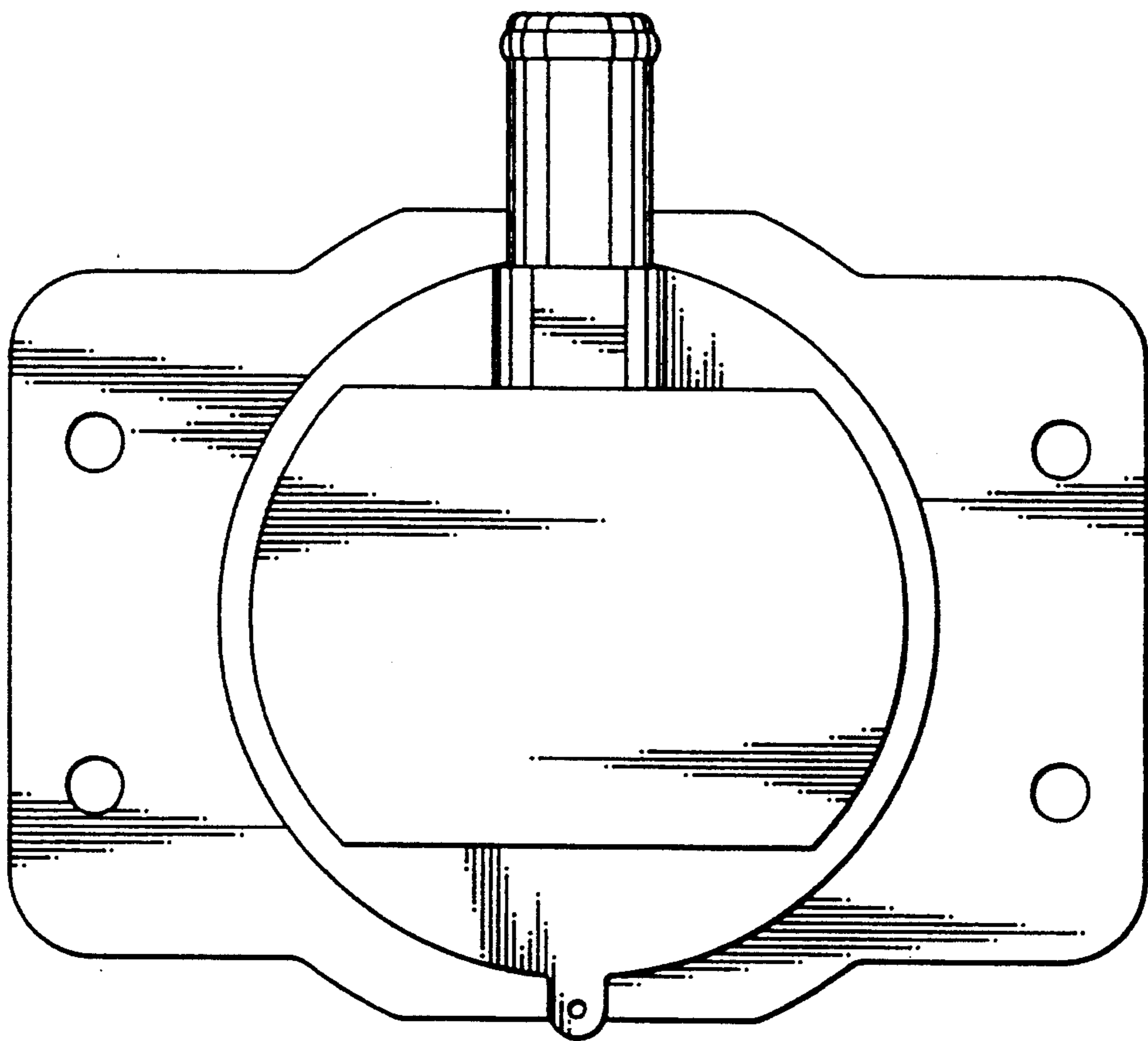


FIG. 6