



US00D341593S

United States Patent [19] Chang

[11] Patent Number: **Des. 341,593**

[45] Date of Patent: **** Nov. 23, 1993**

[54] **PAGING AMPLIFIER CONSOLE**

[75] Inventor: **William Chang, Taipei Hsien, Taiwan**

[73] Assignee: **CES Corporation, Taipei Hsien, Taiwan**

[**] Term: **14 Years**

[21] Appl. No.: **636,955**

[22] Filed: **Jan. 2, 1991**

[52] U.S. Cl. **D14/229; D14/159; D14/210; D14/227**

[58] Field of Search **D14/137, 155, 159, 185, D14/217; D17/22; 361/331, 334, 346, 358, 391, 394**

D. 324,864 3/1992 Hector D14/159 X
 D. 328,915 8/1992 Sato D17/22
 5,001,603 3/1991 Villaneuva, III et al. 361/394

OTHER PUBLICATIONS

Popular Science; Jan. 1989; p. 13; Scanner R-1070 (upper left).

Primary Examiner—Bernard Ansher
Assistant Examiner—Mitchell Siegel
Attorney, Agent, or Firm—Larson and Taylor

[57] CLAIM

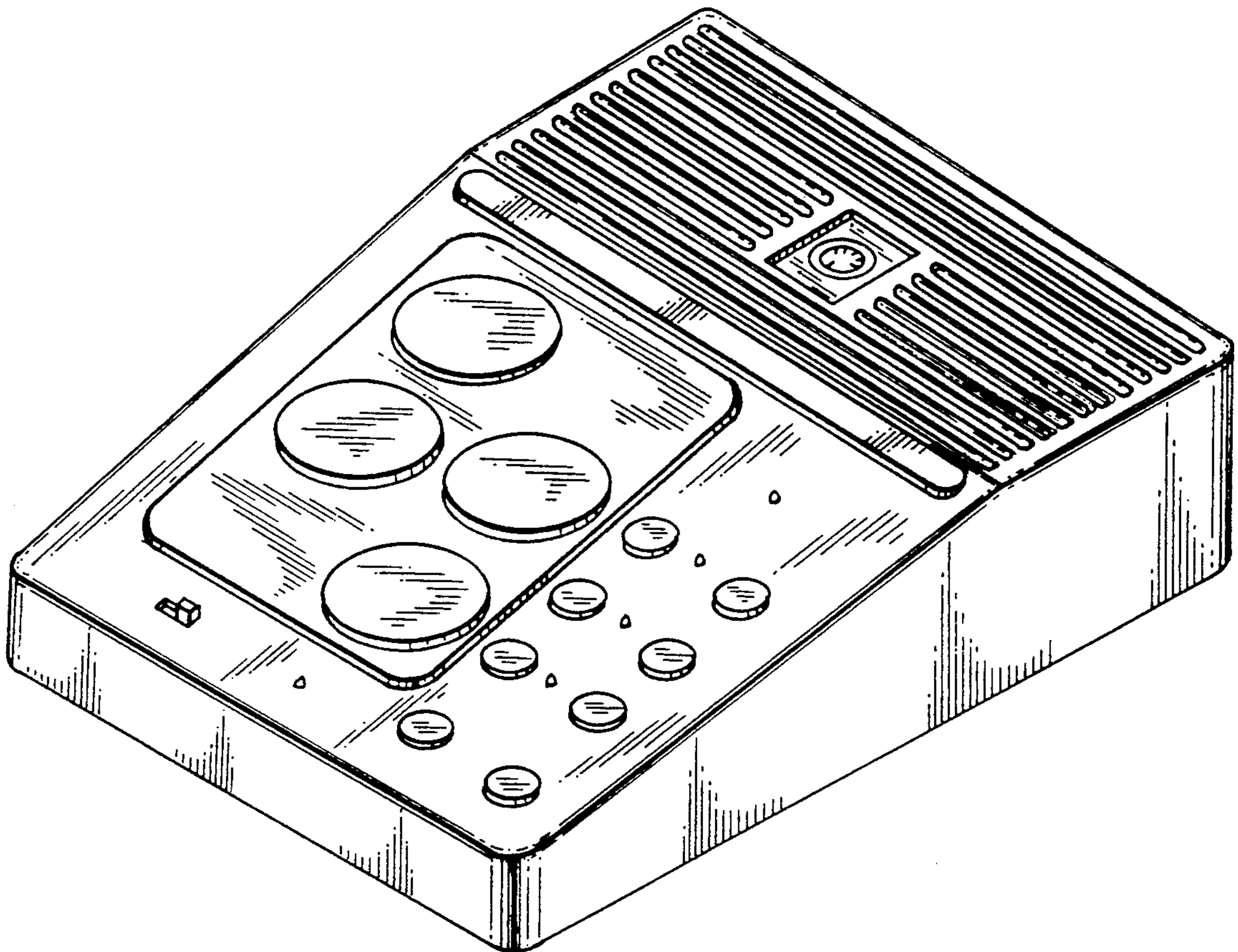
The ornamental design for a paging amplifier console, as shown.

DESCRIPTION

FIG. 1 is a top, right side perspective view of a paging amplifier console showing my new design;
 FIG. 2 is a front elevational view thereof;
 FIG. 3 is a front elevational view thereof;
 FIG. 4 is a right side elevational view thereof; and,
 FIG. 5 is a left side elevational view thereof.

[56] **References Cited**
U.S. PATENT DOCUMENTS

D. 247,621 3/1978 Podall D14/227
 D. 255,032 5/1980 Maddock D14/159
 D. 275,101 8/1984 Read D10/106 X
 D. 316,422 4/1991 Mine D17/22



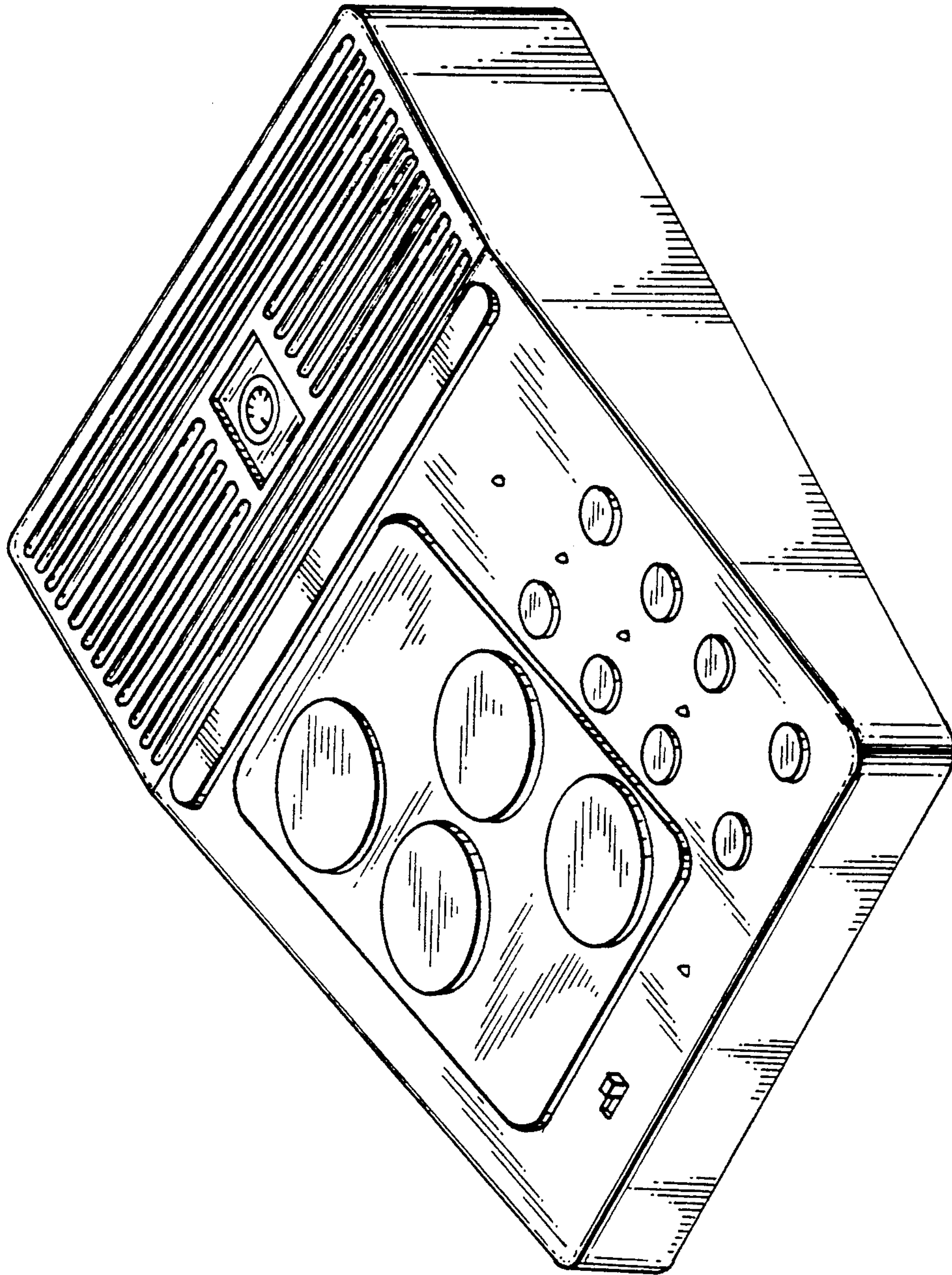


FIG. 1

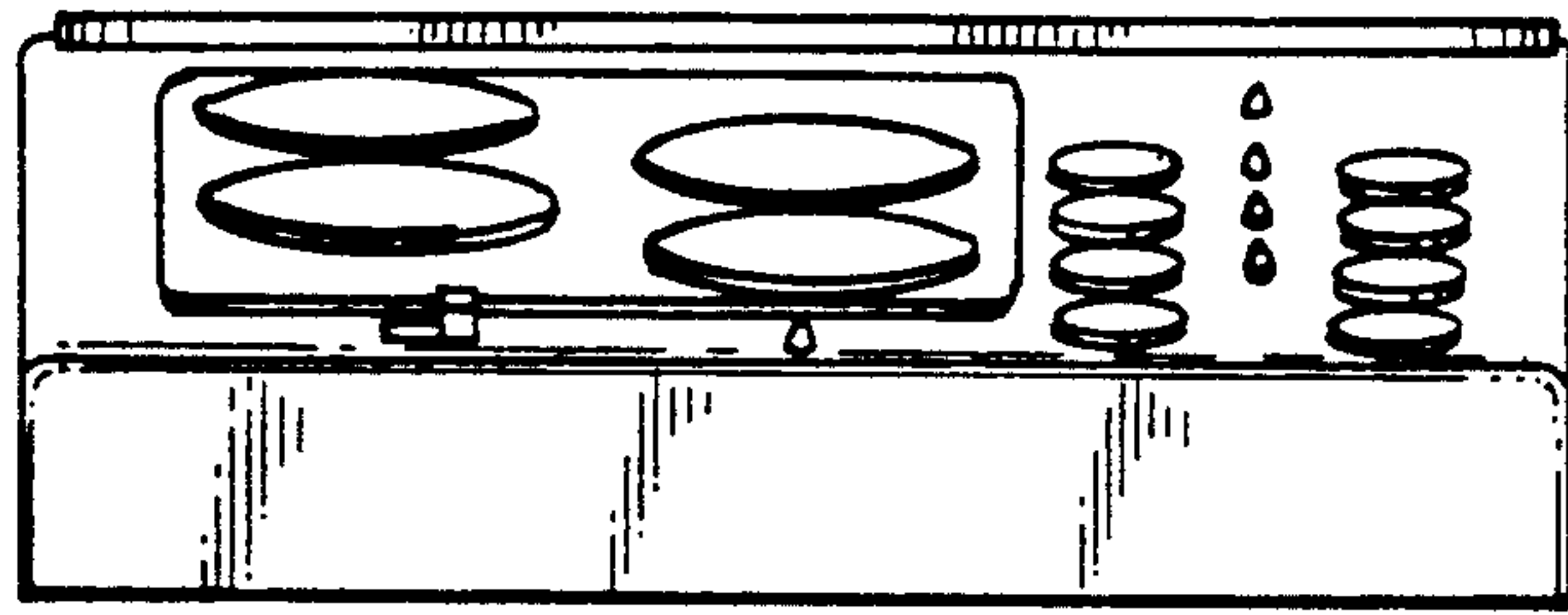


FIG. 2

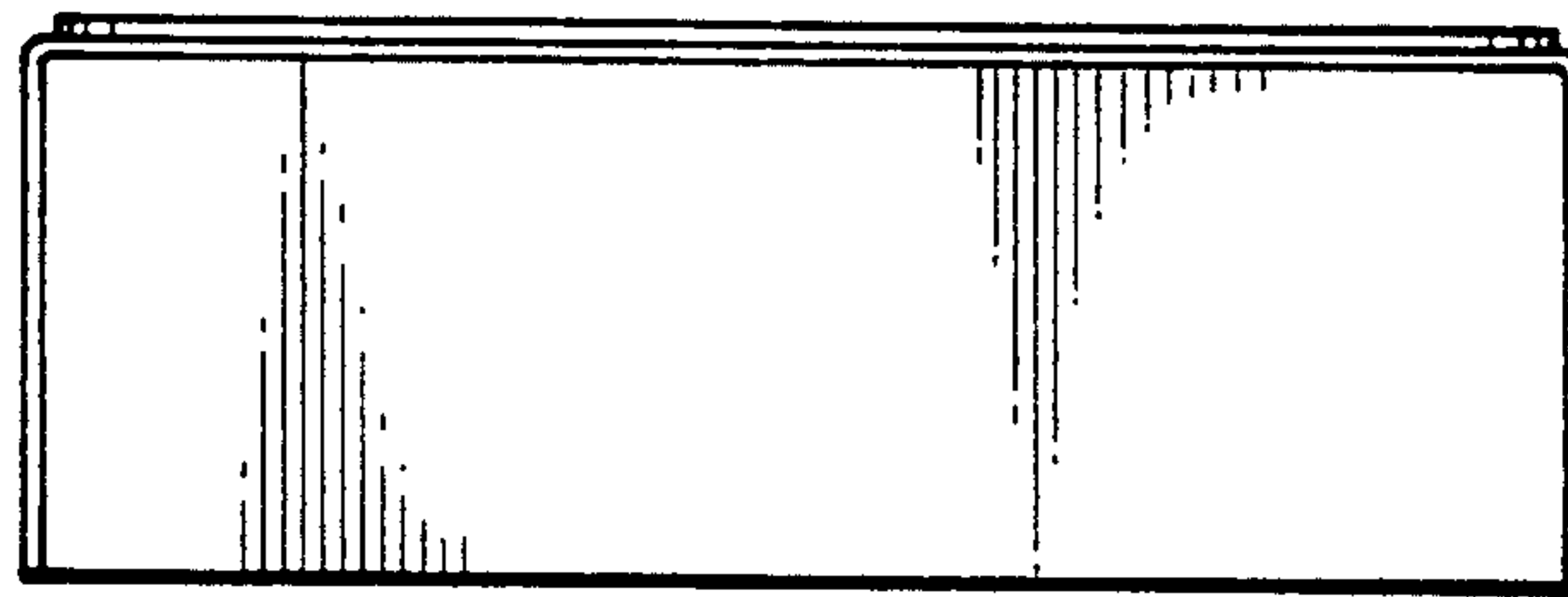


FIG. 3

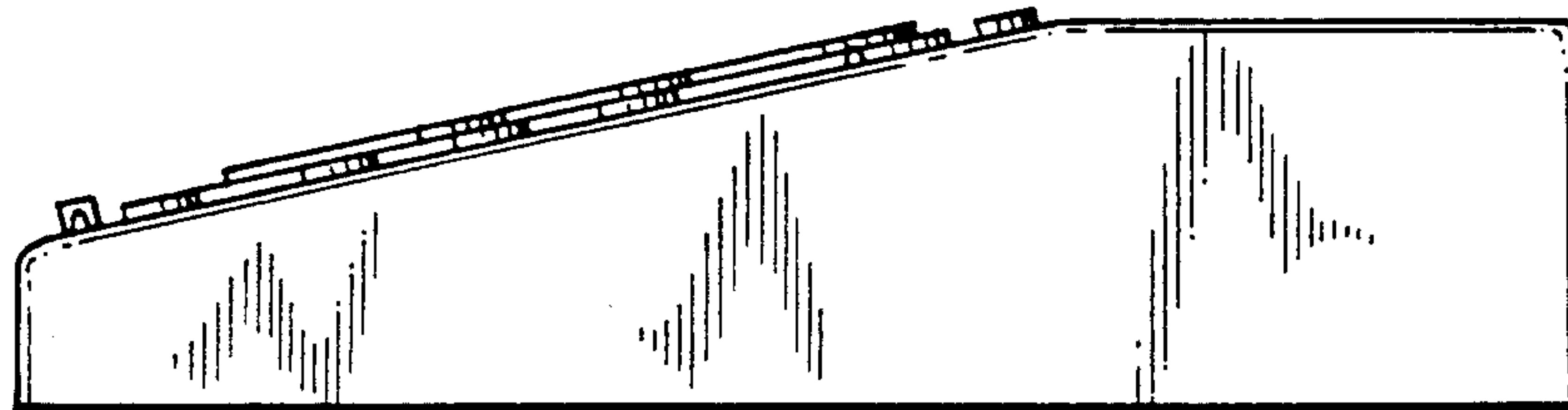


FIG. 4

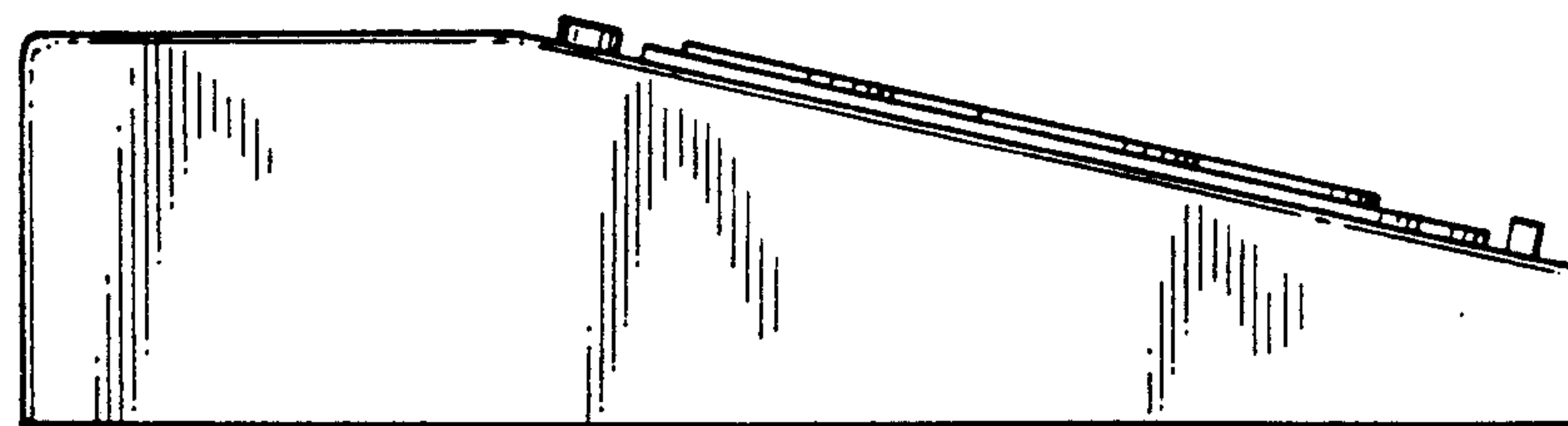


FIG. 5