



US00D341592S

United States Patent [19]
Queen

[11] **Patent Number: Des. 341,592**
[45] **Date of Patent: ** Nov. 23, 1993**

[54] **CEILING-MOUNTED LOUDSPEAKER**

[75] **Inventor: Daniel L. Queen, New York, N.Y.**
[73] **Assignee: Sonic Systems, Inc., Stamford, Conn.**
[**] **Term: 14 Years**
[21] **Appl. No.: 854,948**
[22] **Filed: Mar. 23, 1992**
[52] **U.S. Cl. D14/209; D14/216**
[58] **Field of Search D14/205, 207-216,
D14/219, 224; 181/141, 144, 148, 150, 156-157,
171, 198, 199**

OTHER PUBLICATIONS

Radio Shack 1990 Catalog, p. 42 "Full-Range Speaker".
Stereo Review Aug. 1990, p. 55 "Granite 377B" speaker.
Radio Shack 1991 Catalog, p. 49 "3½" speaker.
Primary Examiner—Bernard Ansher
Assistant Examiner—Sandra Morris
Attorney, Agent, or Firm—Amster, Rothstein & Ebenstein

[56] **References Cited**

U.S. PATENT DOCUMENTS

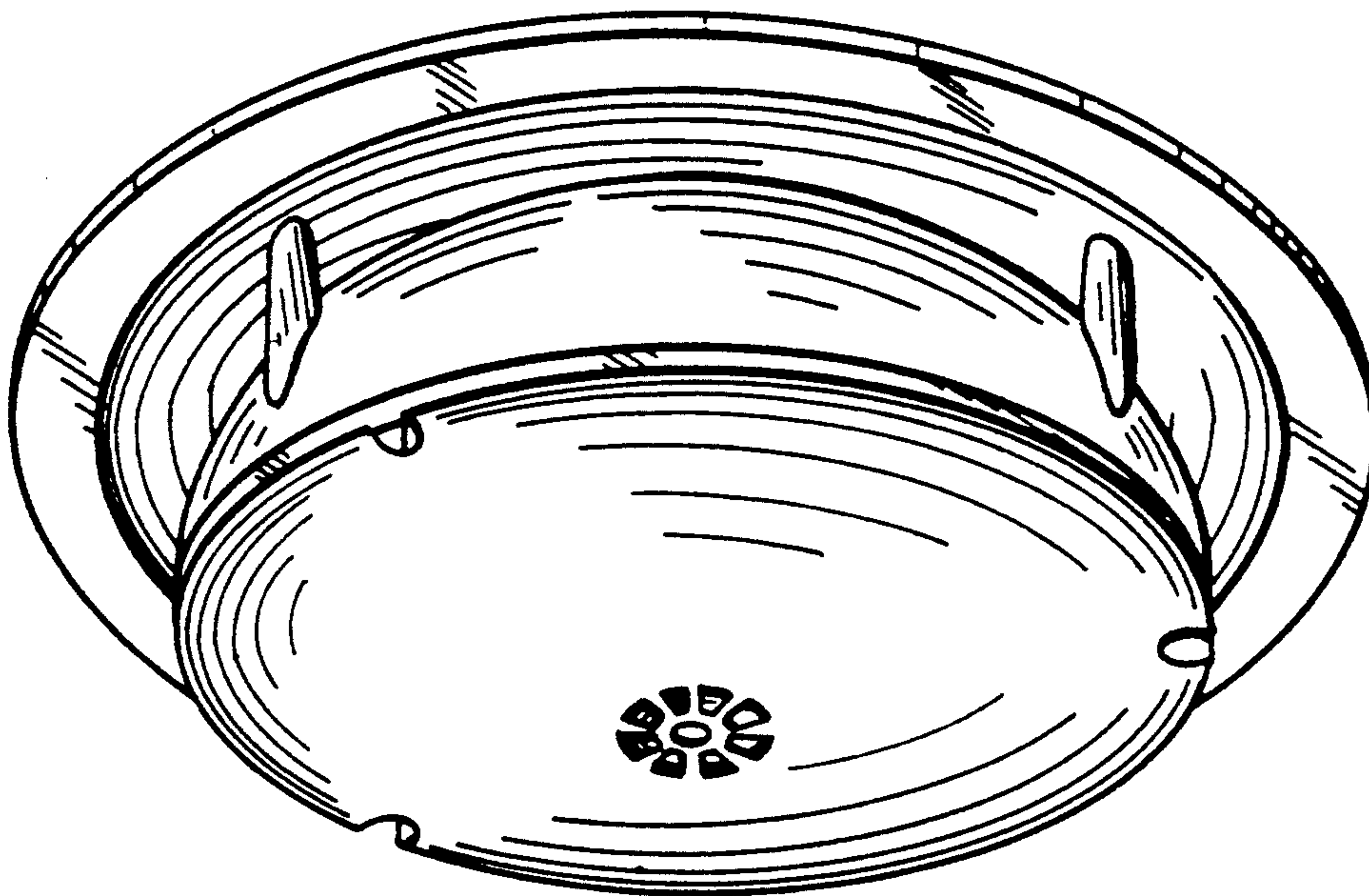
D. 238,185	12/1975	Wellward	D14/209
D. 242,151	1/1976	Wellward	D14/209
D. 247,562	3/1978	Walker et al.	D14/209
D. 248,647	7/1978	Nussdorfer	D14/216
D. 255,234	6/1980	Wellward et al.	D14/209
D. 281,068	10/1985	Katsuno	D14/214
4,327,257	4/1982	Schwartz	181/171
4,625,328	11/1986	Freadman	381/87

[57] **CLAIM**

The ornamental design for a ceiling-mounted loudspeaker, as shown.

DESCRIPTION

FIG. 1 is a front, bottom isometric view of a ceiling-mounted loudspeaker showing my new design;
FIG. 2 is an enlarged bottom plan view thereof;
FIG. 3 is an enlarged side elevational view thereof, all sides being identical; and,
FIG. 4 is an enlarged top plan view thereof.



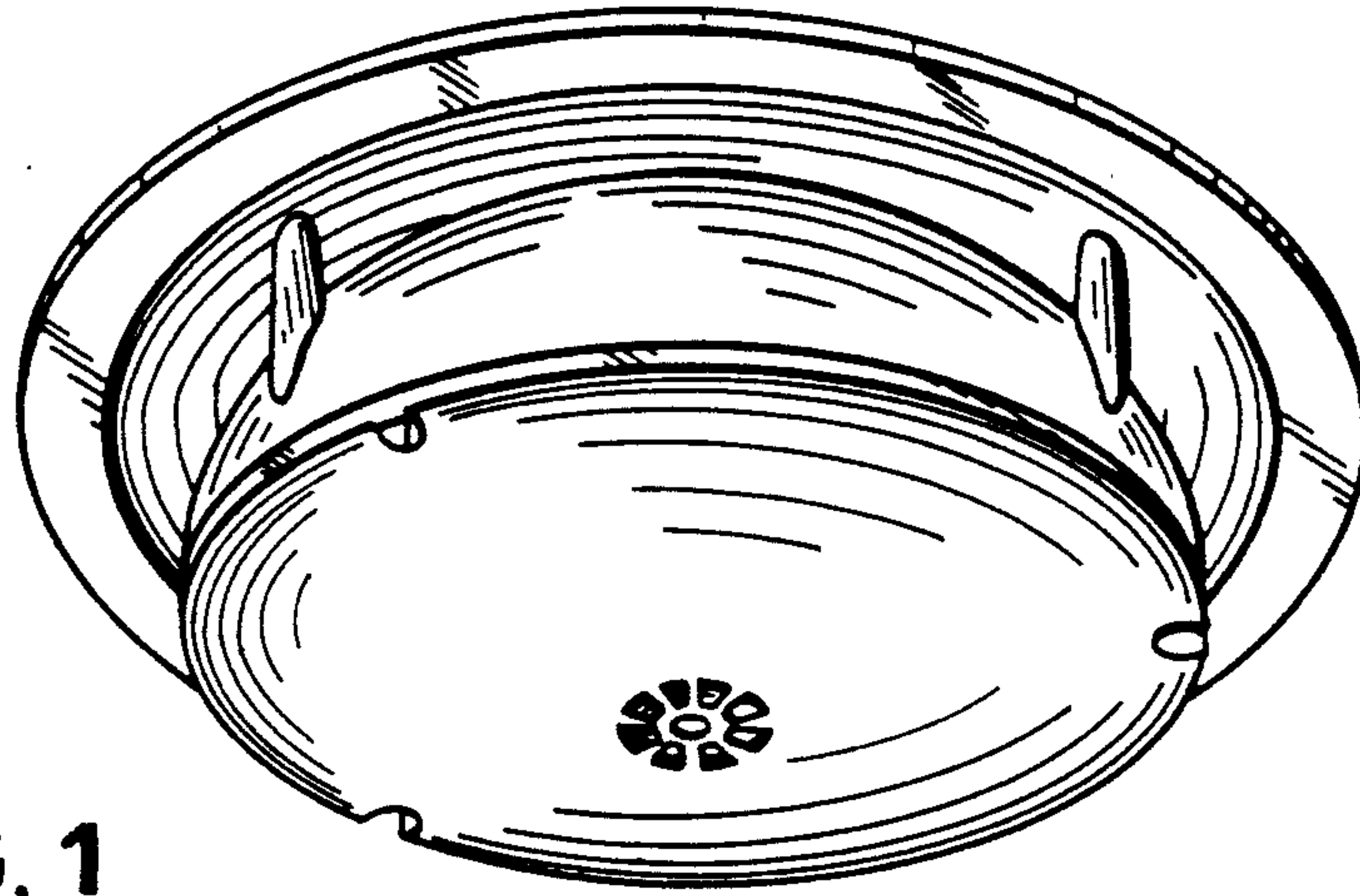


FIG. 1

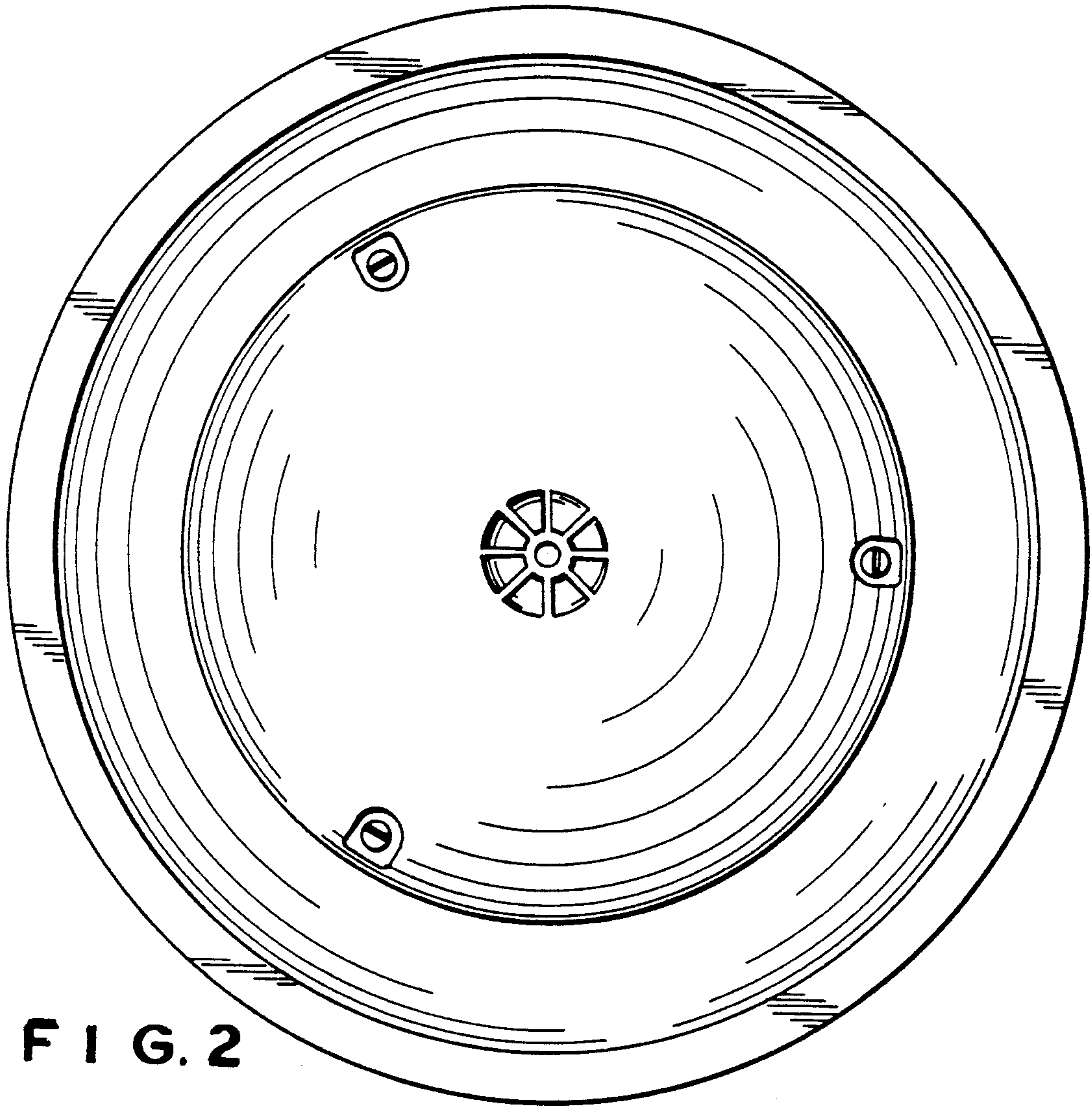


FIG. 2

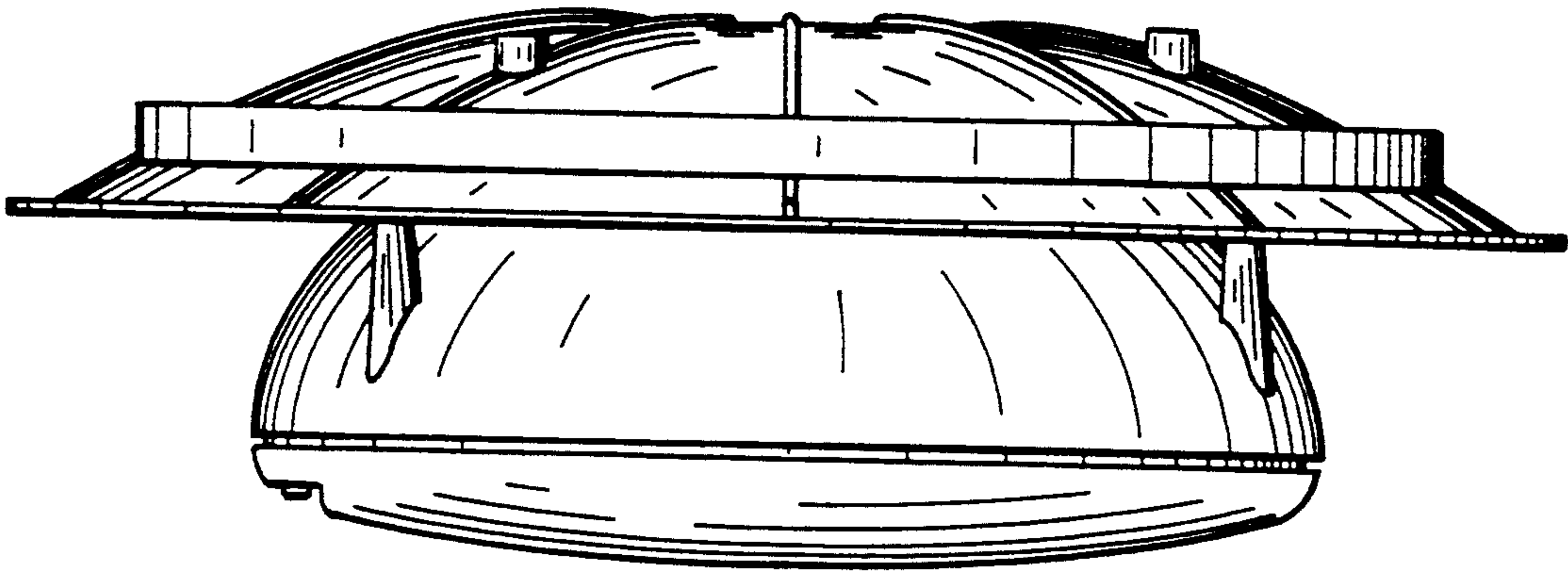


FIG. 3

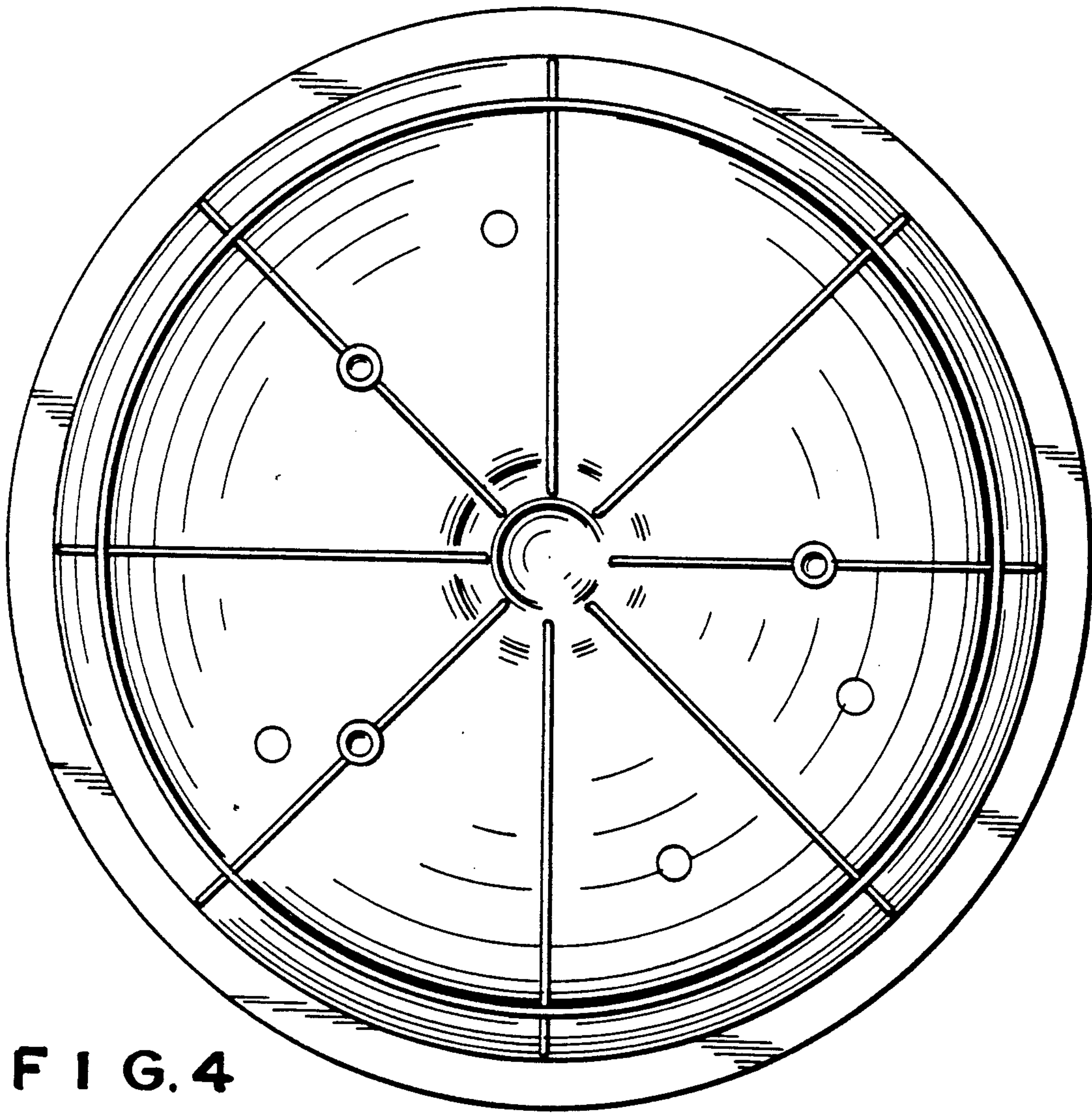


FIG. 4