



US00D341576S

United States Patent [19]

Sugihara et al.

[11] Patent Number: **Des. 341,576**

[45] Date of Patent: **** Nov. 23, 1993**

[54] **PORTABLE LAPTOP COMPUTER**

[75] Inventors: **Shinichi Sugihara; Tetsuya Imamura; Masahiko Moriwaki**, all of Osaka, Japan

[73] Assignee: **Matsushita Electric Industrial Co., Ltd.**, Osaka, Japan

[**] Term: **14 Years**

[21] Appl. No.: **788,292**

[22] Filed: **Nov. 5, 1991**

[30] **Foreign Application Priority Data**

Jun. 6, 1991 [JP] Japan 3-16816[U]

[52] U.S. Cl. **D14/106**

[58] Field of Search D14/100, 101, 106, 113, D14/115; D18/1, 7, 11, 12; 235/145 A, 145 R; 340/700, 706; 341/22, 23; 361/390, 394; 364/708, 709.04

[56] **References Cited**

U.S. PATENT DOCUMENTS

D. 324,674 3/1992 Iino D14/106

D. 331,919 12/1992 Sekino et al. D14/106

D. 332,781 1/1993 Toedter D14/106

D. 332,782 1/1993 Kikuchi et al. D14/106

D. 334,558 4/1993 Iino D14/106

Primary Examiner—Wallace R. Burke

Assistant Examiner—Freda S. Nunn

Attorney, Agent, or Firm—Sughrue, Mion, Zinn, Macpeak & Seas

[57] **CLAIM**

The ornamental design for a portable laptop computer, as shown and described.

DESCRIPTION

FIG. 1 is a front top and right side perspective view of a portable laptop computer showing our new design with the cover in an opened position;

FIG. 2 is a rear bottom and left side perspective view thereof;

Fig. 3 is a right side elevational view thereof;

FIG. 4 is a left side elevational view thereof;

FIG. 5 is a top plan view thereof;

FIG. 6 is a bottom plan view thereof; and,

FIG. 7 is a front top and right side perspective view thereof with the cover in a closed position overlying a keyboard thereof.

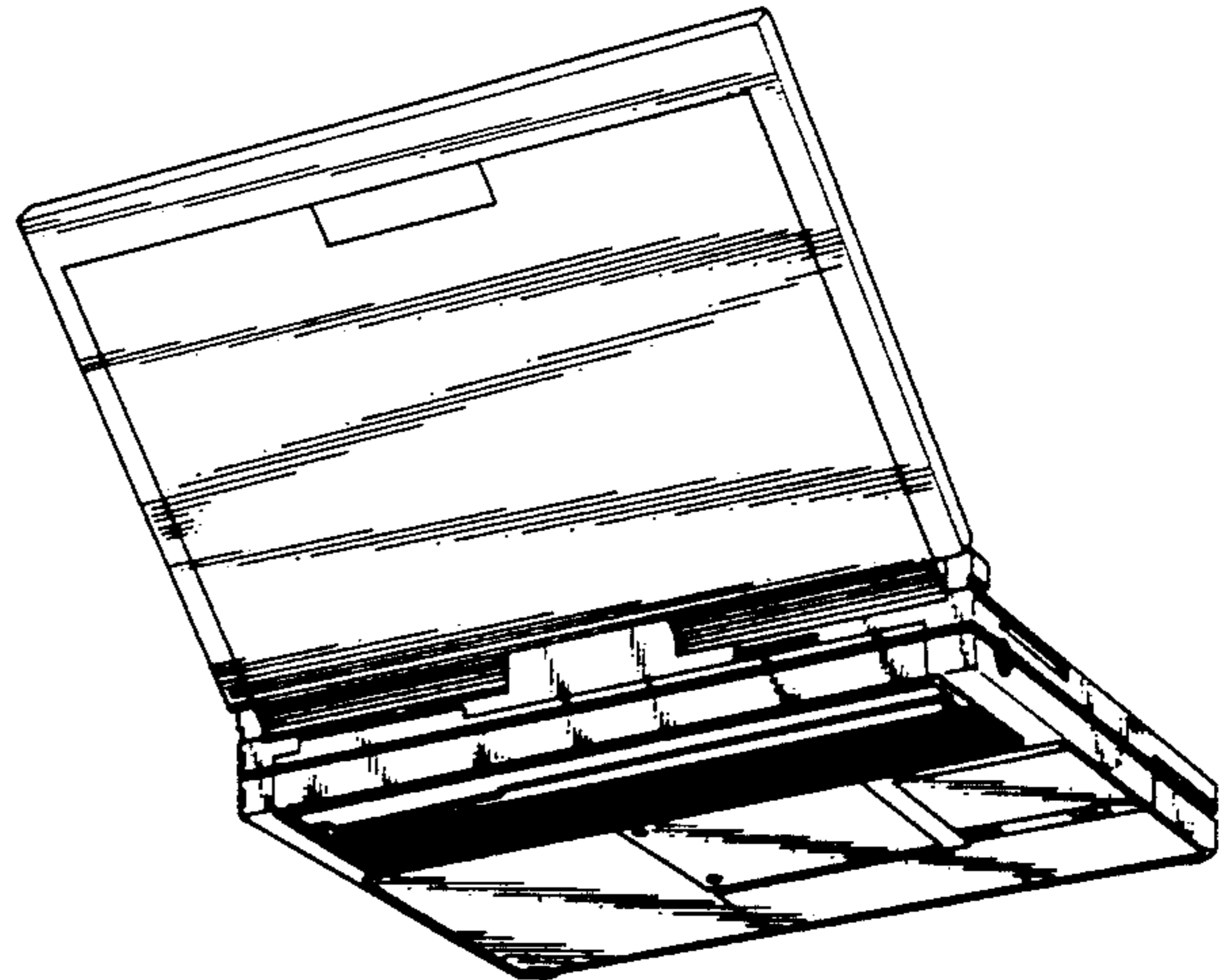
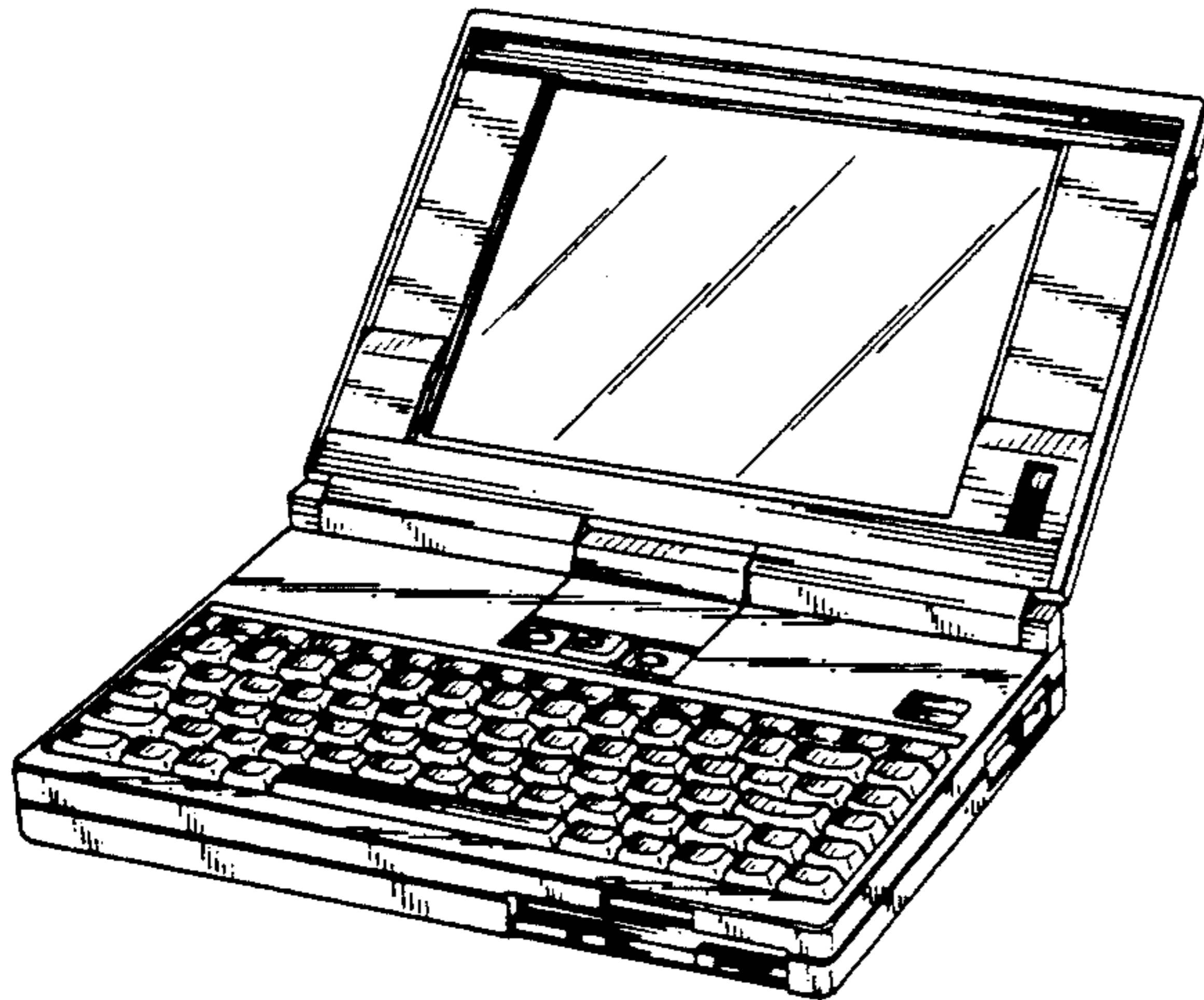


Fig. 1

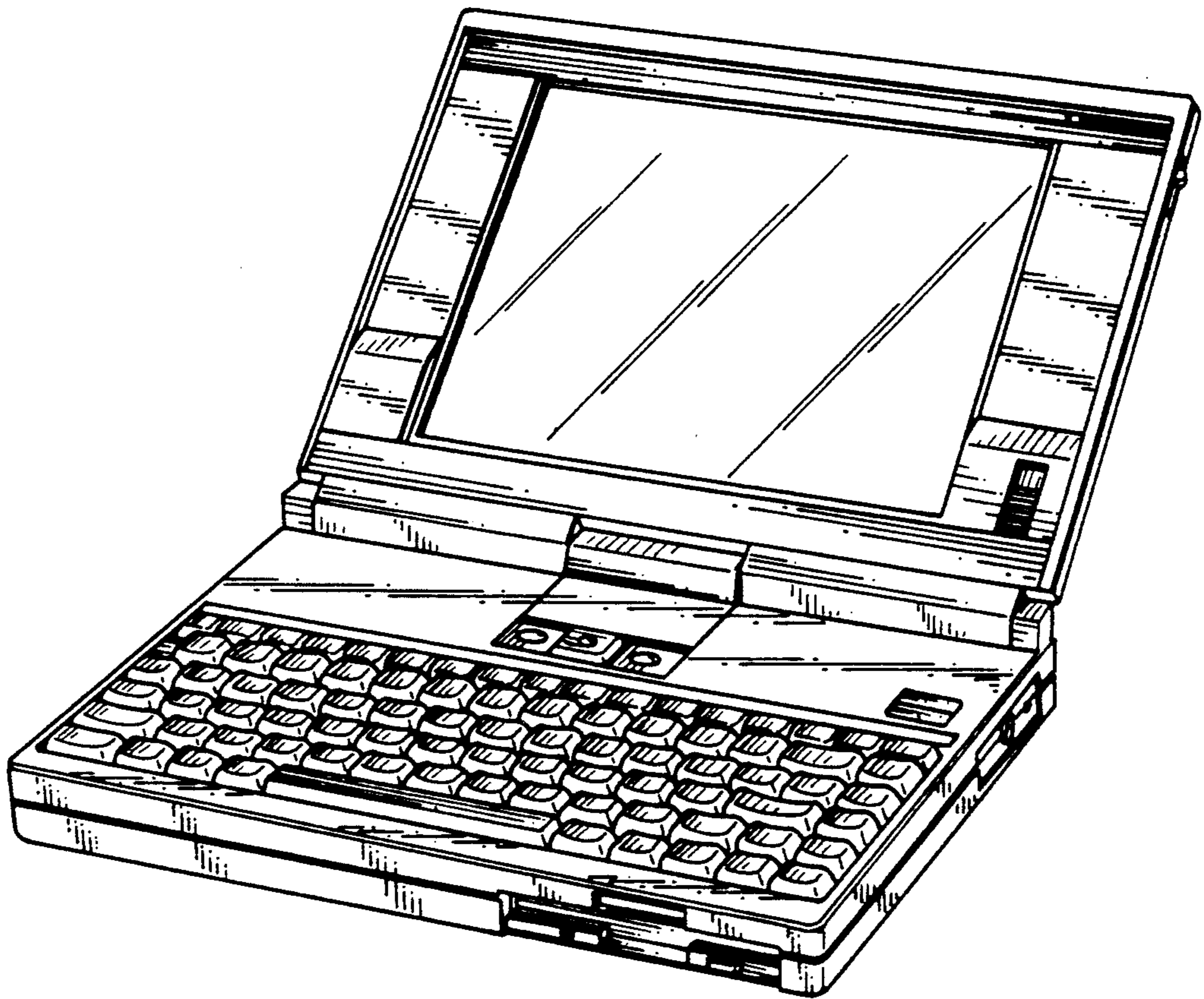


Fig. 2

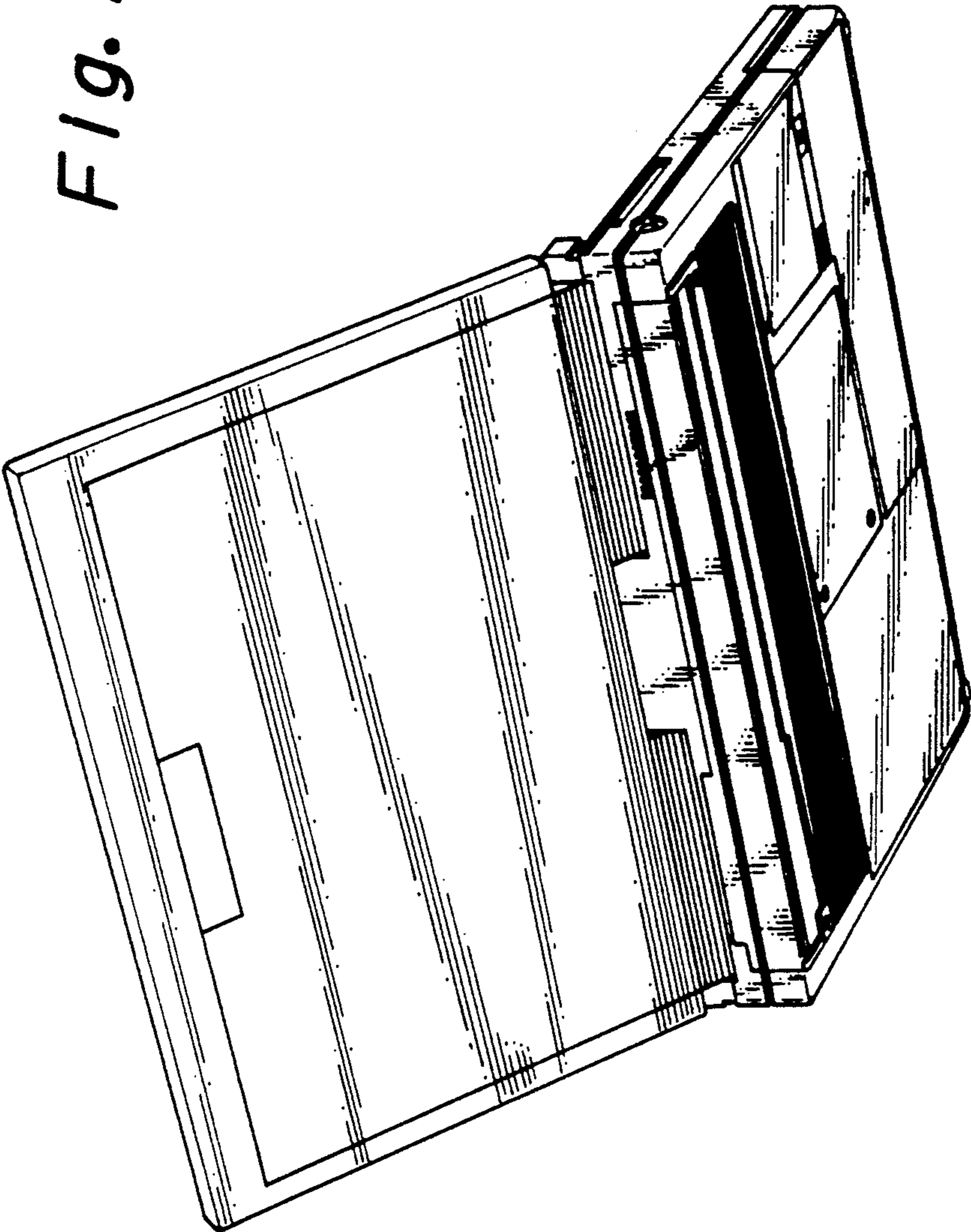


Fig. 3

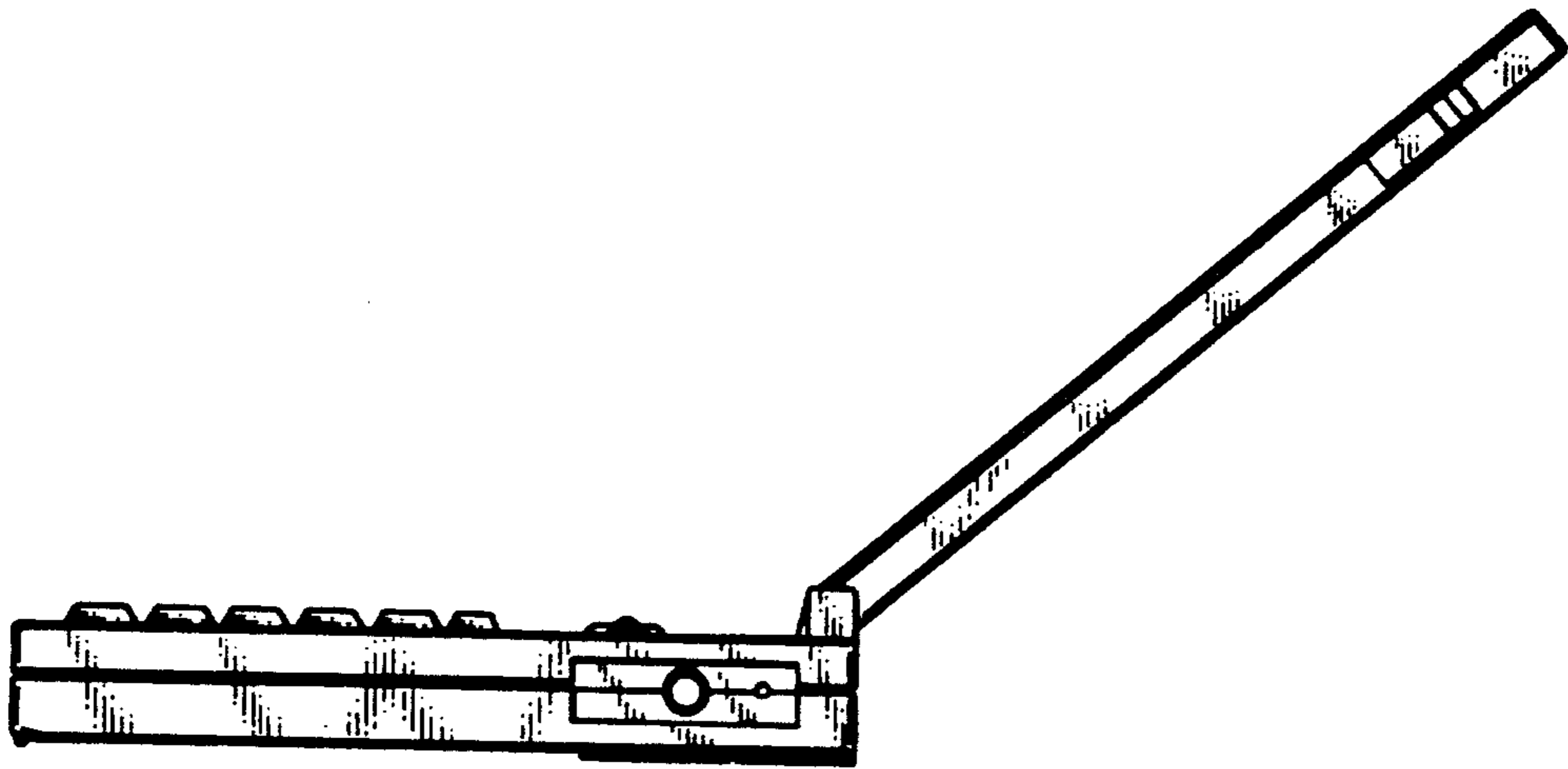


Fig. 4

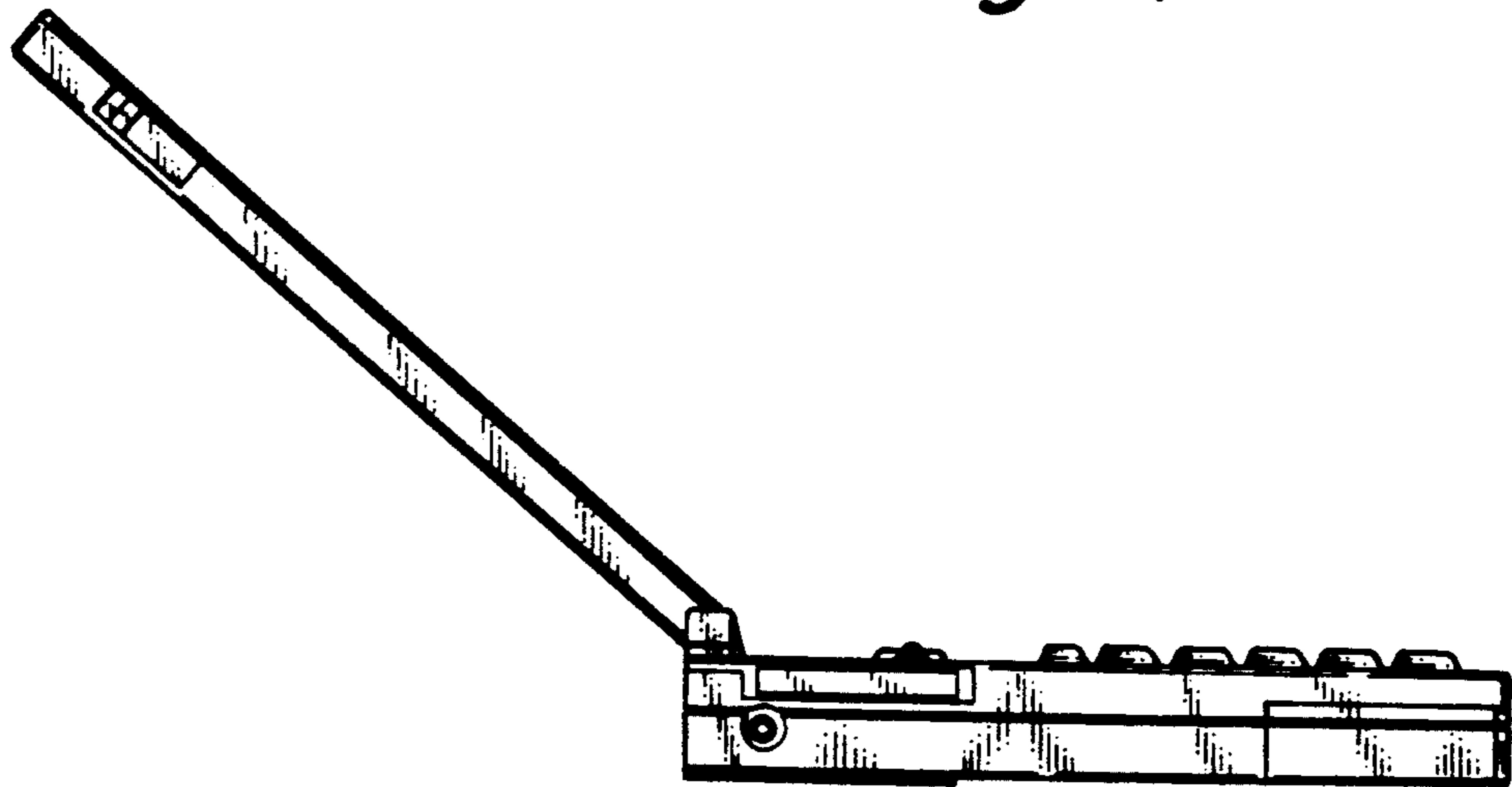


Fig. 5

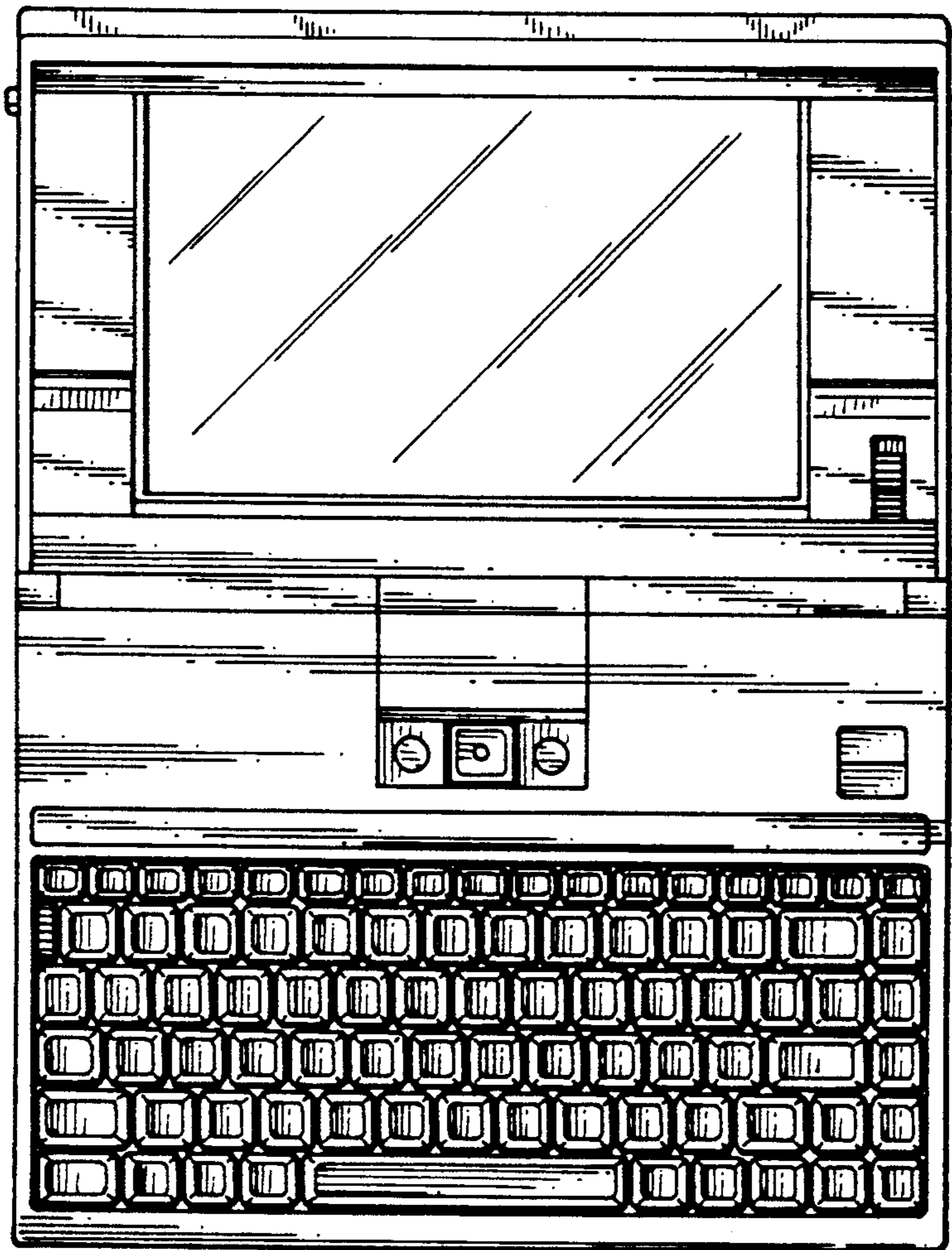


Fig. 6

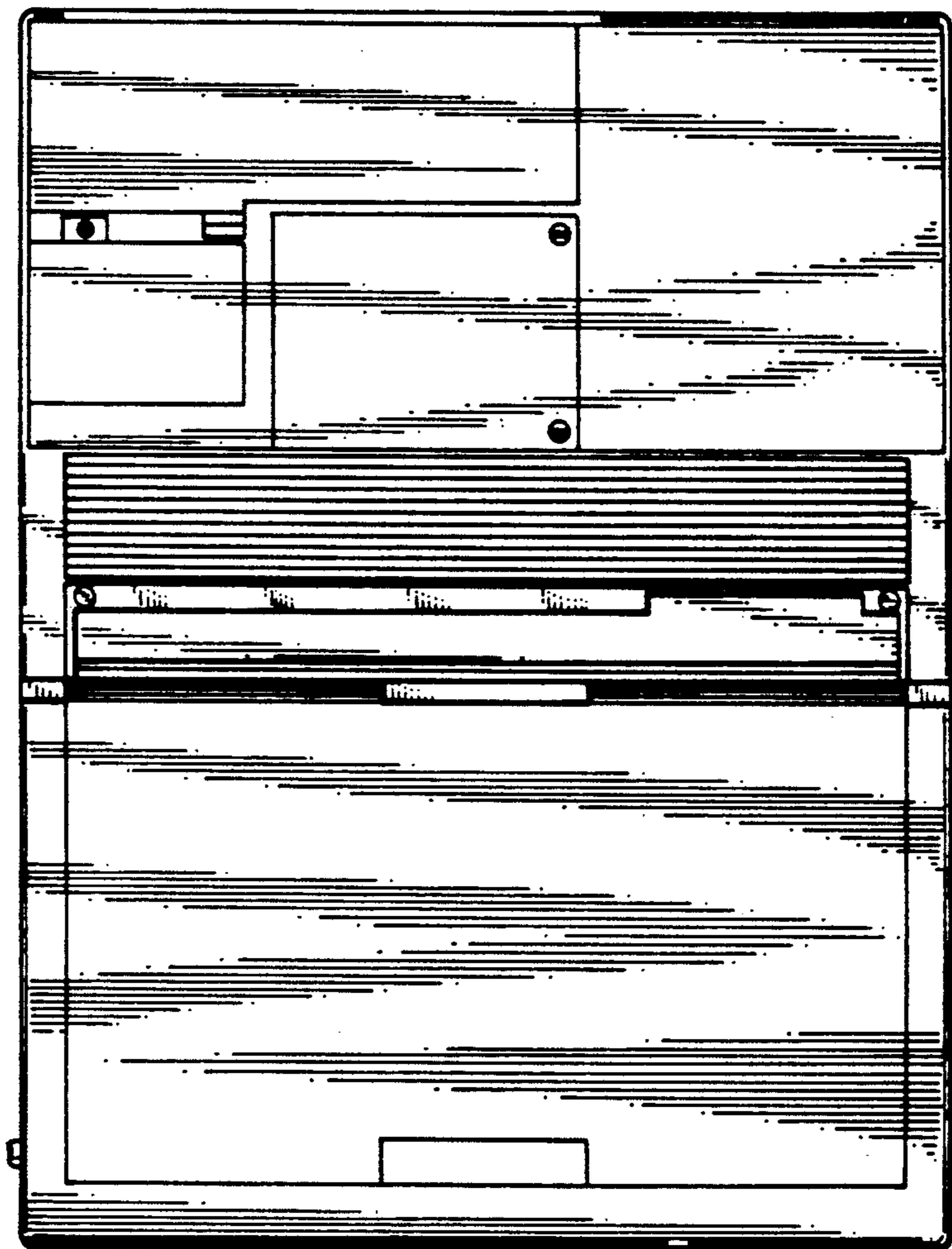


Fig. 7

