



US00D341571S

United States Patent [19]
Kazmi

[11] **Patent Number: Des. 341,571**
[45] **Date of Patent: ** Nov. 23, 1993**

- [54] **PORTABLE INFORMATION MANAGEMENT SYSTEM**
- [75] **Inventor: Saeed A. Kazmi, Sunnyvale, Calif.**
- [73] **Assignee: Semi-Custom Logic, Inc., Sunnyvale, Calif.**
- [**] **Term: 14 Years**
- [21] **Appl. No.: 782,286**
- [22] **Filed: Oct. 24, 1991**
- [52] **U.S. Cl. D14/100**
- [58] **Field of Search D14/100, 106, 113; 340/700, 706; 364/708, 709.04; 361/390, 394; 178/18, 19**

4,855,725 8/1989 Fernandez 340/706

FOREIGN PATENT DOCUMENTS

803268 12/1990 Japan D14/100

OTHER PUBLICATIONS

Canon on "Dempa Shimbun" Touchpanel—Jan. 1991.

Primary Examiner—Wallace R. Burke

Assistant Examiner—Freda S. Nunn

Attorney, Agent, or Firm—Schneck & McHugh

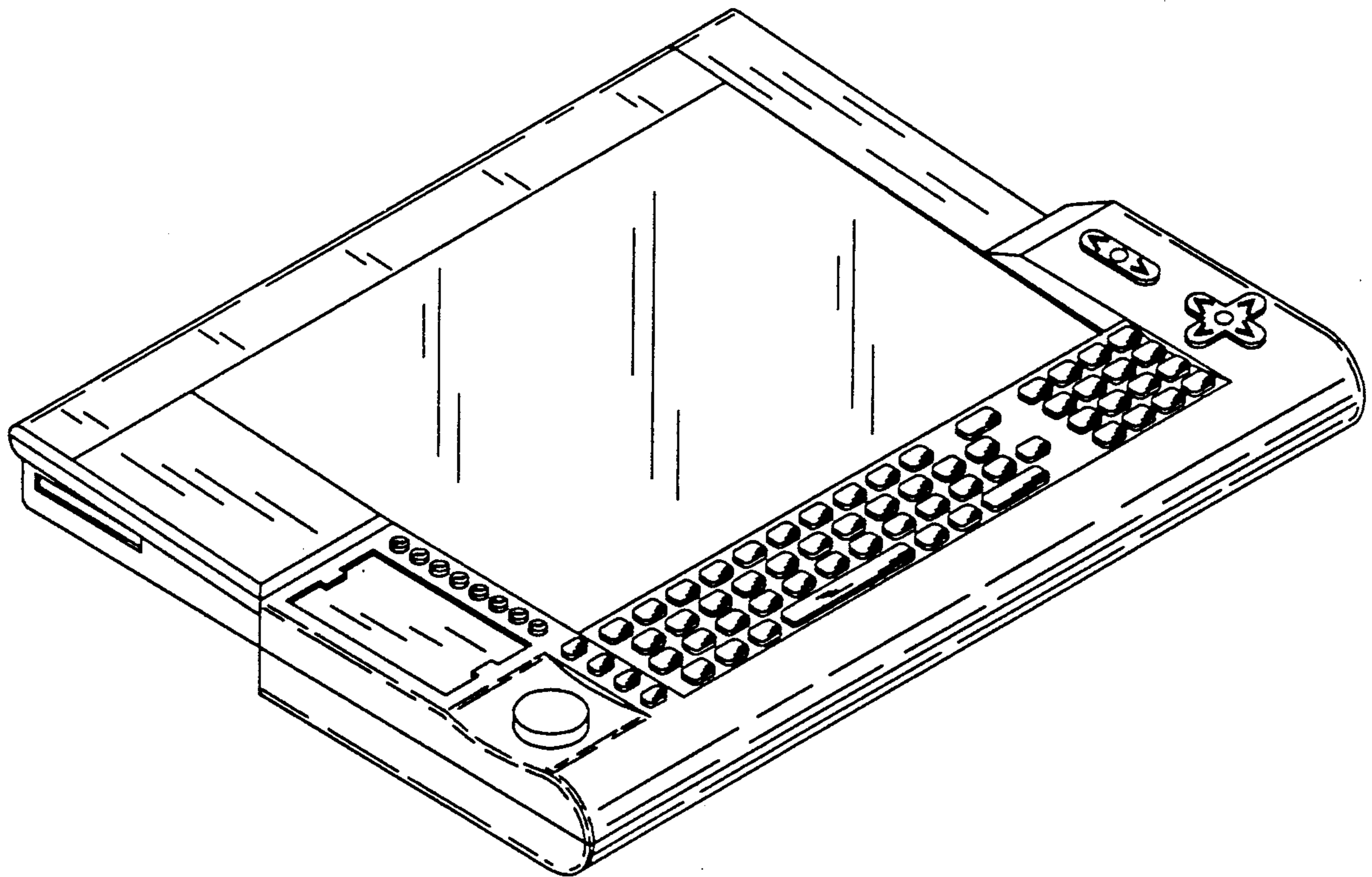
[57] **CLAIM**

The ornamental design for a portable information management system, as shown and described.

DESCRIPTION

FIG. 1 is a perspective view of a portable information management system, showing my new design;
 FIG. 2 is a top view thereof;
 FIG. 3 is a bottom view thereof;
 FIG. 4 is a right side view thereof;
 FIG. 5 is a left side view thereof;
 FIG. 6 is a back view thereof; and,
 FIG. 7 is a front view thereof.
 FIGS. 2-7 are drawn on an enlarged scale.

- [56] **References Cited**
- U.S. PATENT DOCUMENTS**
- D. 281,606 12/1985 Nuttall et al. D14/100
- D. 284,966 8/1986 Larkins D14/100
- D. 317,151 5/1991 Daly D14/100
- D. 319,433 8/1991 Pearce D14/100
- D. 319,434 8/1991 Luno D14/100
- D. 323,155 1/1992 Hino et al. D14/100
- D. 333,814 3/1993 Swanson et al. D14/100
- D. 334,180 3/1993 Tedham et al. D14/100



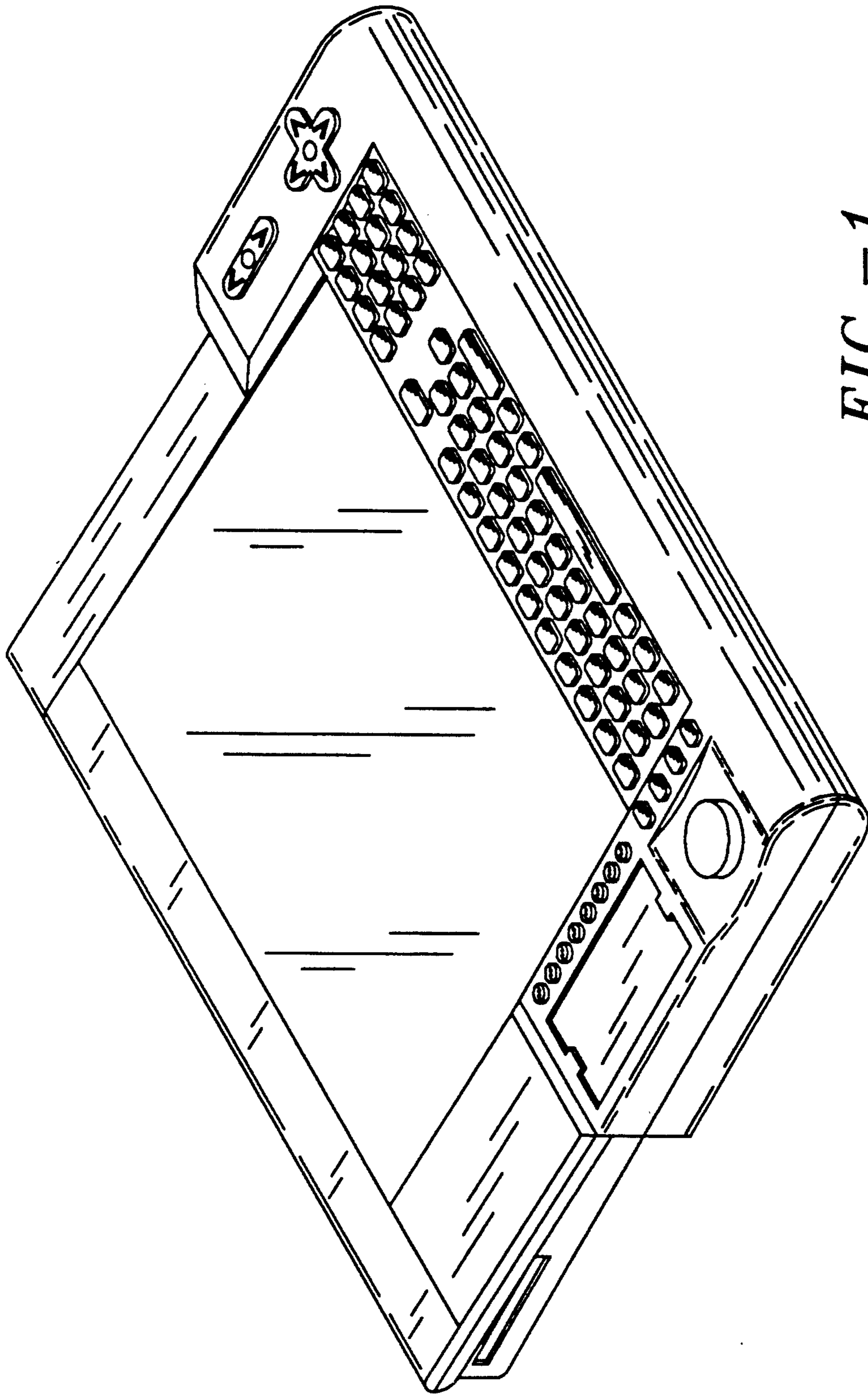


FIG. - 1

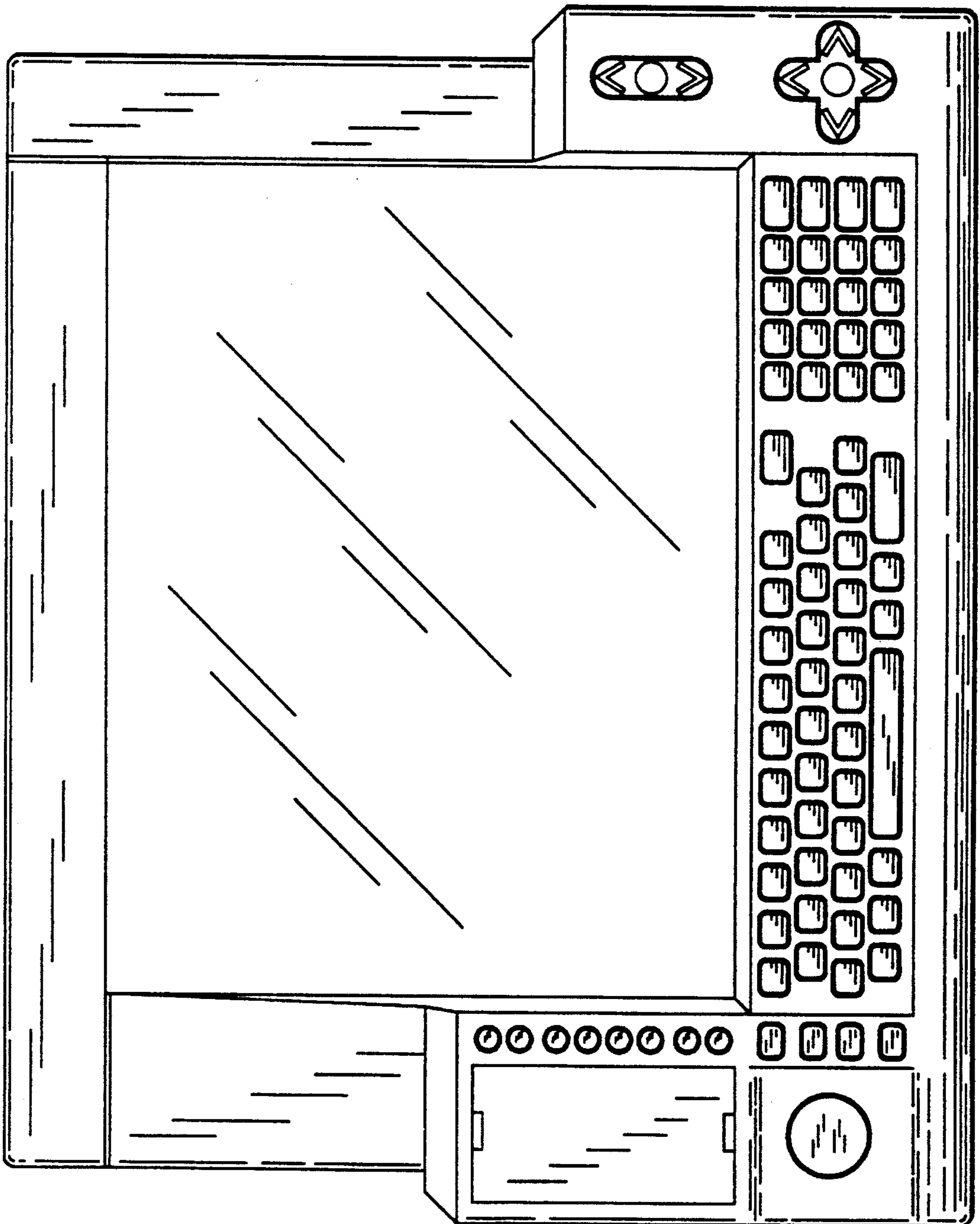
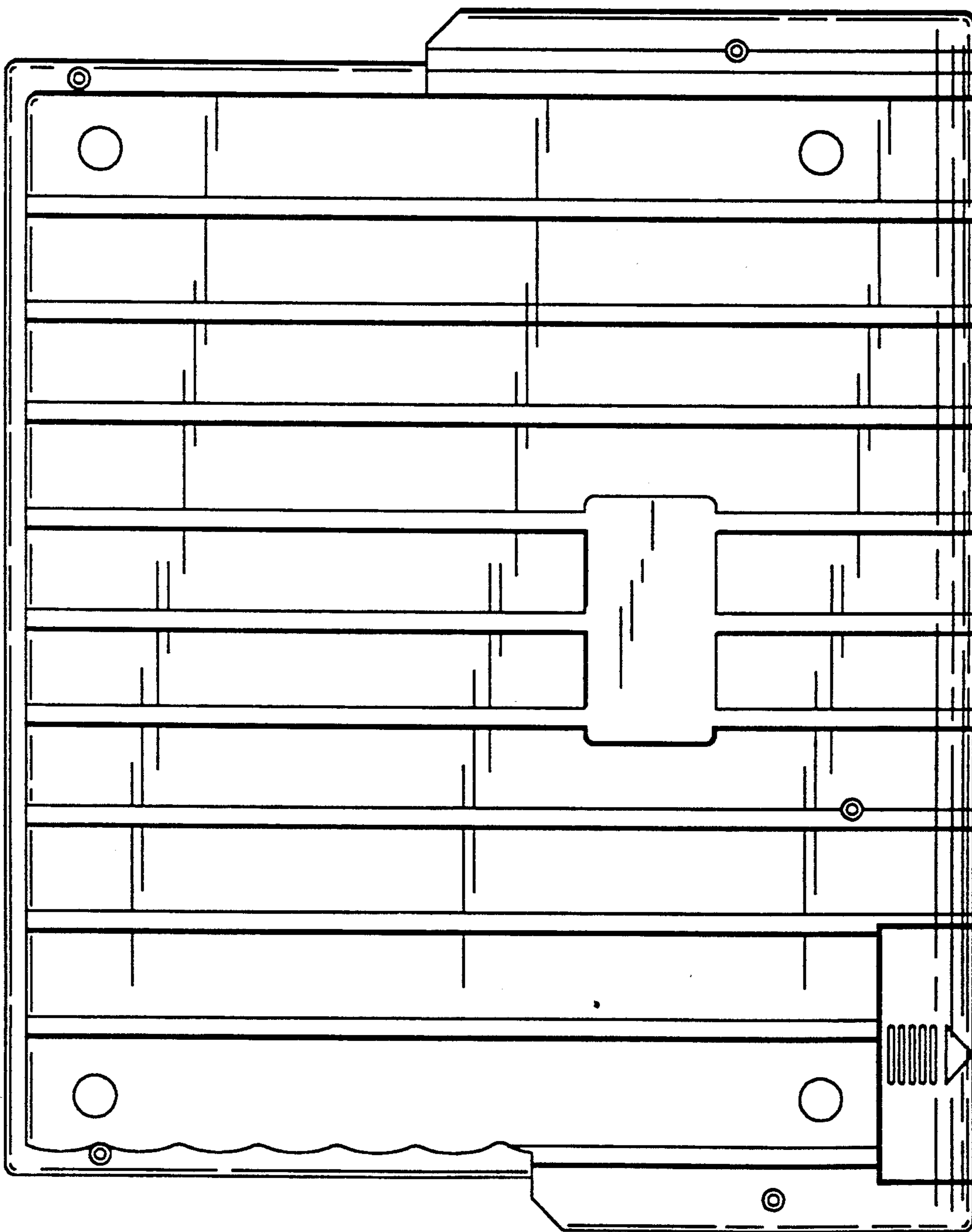


FIG. -2

FIG. -3



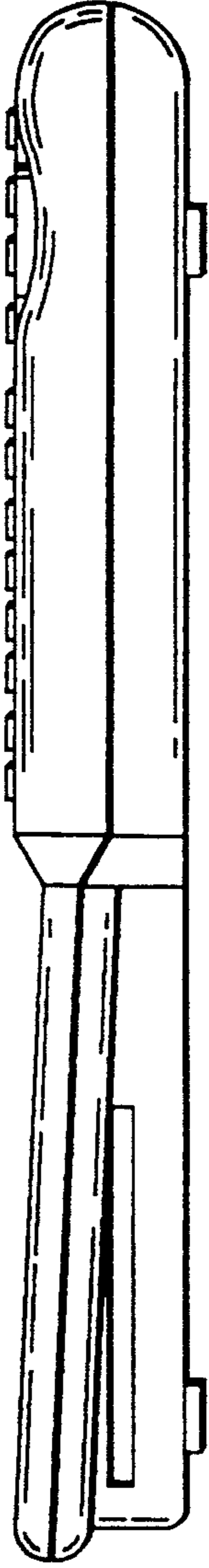


FIG. -4

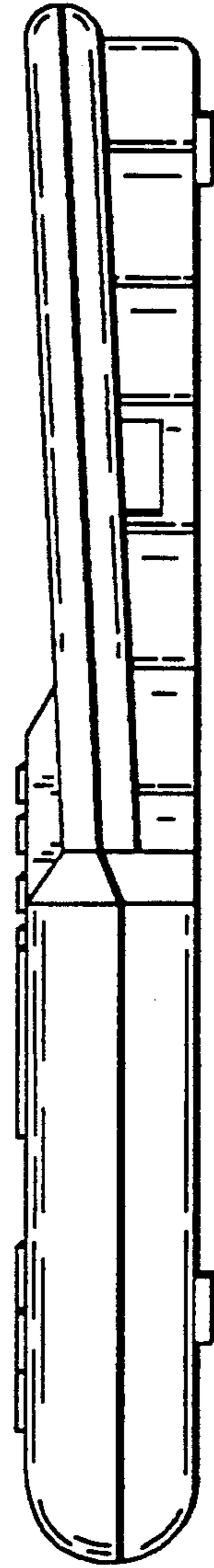


FIG. -5

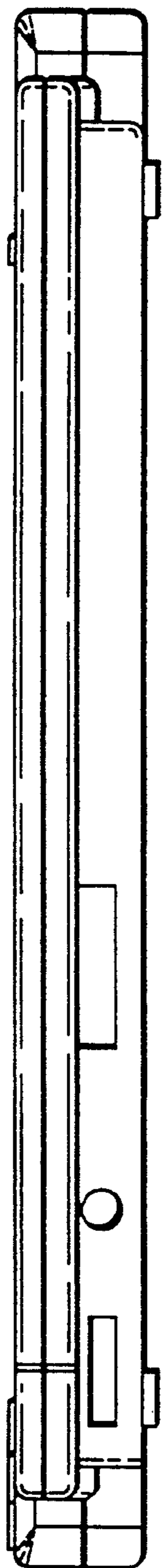


FIG. -6

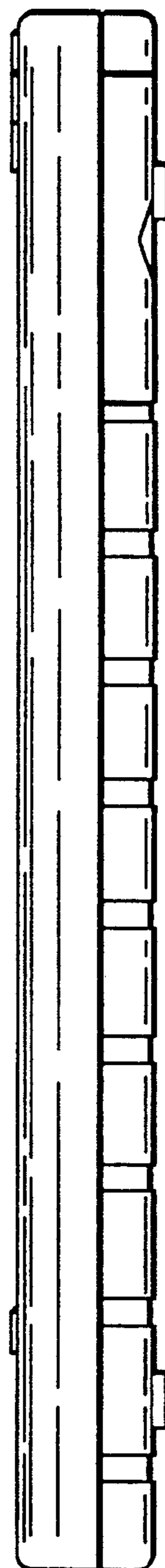


FIG. -7