



US00D341564S

United States Patent [19]

[11] Patent Number: **Des. 341,564**

Mykytiuk et al.

[45] Date of Patent: **** Nov. 23, 1993**

[54] **COMBINED RETRACTABLE SIDE WINDOW SUNSHADE UNITS AND HEADLINER WITH INTEGRAL READING LIGHTS AND RETRACTABLE VISOR VANITY MIRROR UNITS FOR A MOTOR VEHICLE**

[75] Inventors: **William Mykytiuk, Taylor; Abdi Lawassani, Pontiac, both of Mich.**

[73] Assignee: **United Technologies Automotive, Inc., Dearborn, Mich.**

[**] Term: **14 Years**

[21] Appl. No.: **763,396**

[22] Filed: **Sep. 11, 1991**

[52] U.S. Cl. **D12/195; D12/191**

[58] Field of Search **D12/191, 195; 296/97.1, 296/97.6, 97.7, 97.8, 97.9, 214; 160/370.2, DIG. 3**

[56] **References Cited**

U.S. PATENT DOCUMENTS

- D. 282,733 2/1986 Giavazzi et al. D12/195
- 4,958,878 9/1990 Kempkers 296/97.9

Primary Examiner—James M. Gandy
Attorney, Agent, or Firm—John Swiatocha

[57] **CLAIM**

The ornamental design for combined retractable side window sunshade units and headliner with integral reading lights and retractable visor-vanity mirror units for a motor vehicle, as shown and described.

DESCRIPTION

FIG. 1 is a front perspective view of the combined retractable side window sunshade units and headliner with integral reading lights and retractable visor-vanity mirror units for a motor vehicle showing our new design with the retractable side window sunshade units in extended condition and the integral retractable visor-

vanity mirror units of the headliner in retracted condition;

FIG. 2 is a fragmentary front perspective view of the right front corner segment of the headliner thereof showing the visor portion of one of the integral retractable visor-vanity mirror units of the headliner in extended condition;

FIG. 3 is an enlarged fragmentary front perspective view of the right front corner segment of the headliner thereof similar to FIG. 2 but with the vanity mirror in extended condition;

FIG. 4 is a fragmentary rear perspective view of the front portion of the headliner shown in FIG. 1 with both of the integral retractable visor-vanity mirror units thereof in fully extended condition and the forward sunshade of the retractable side window sunshade units in extended condition it being understood that the rear sunshade of the retractable side window sunshade units is omitted for convenience of illustration;

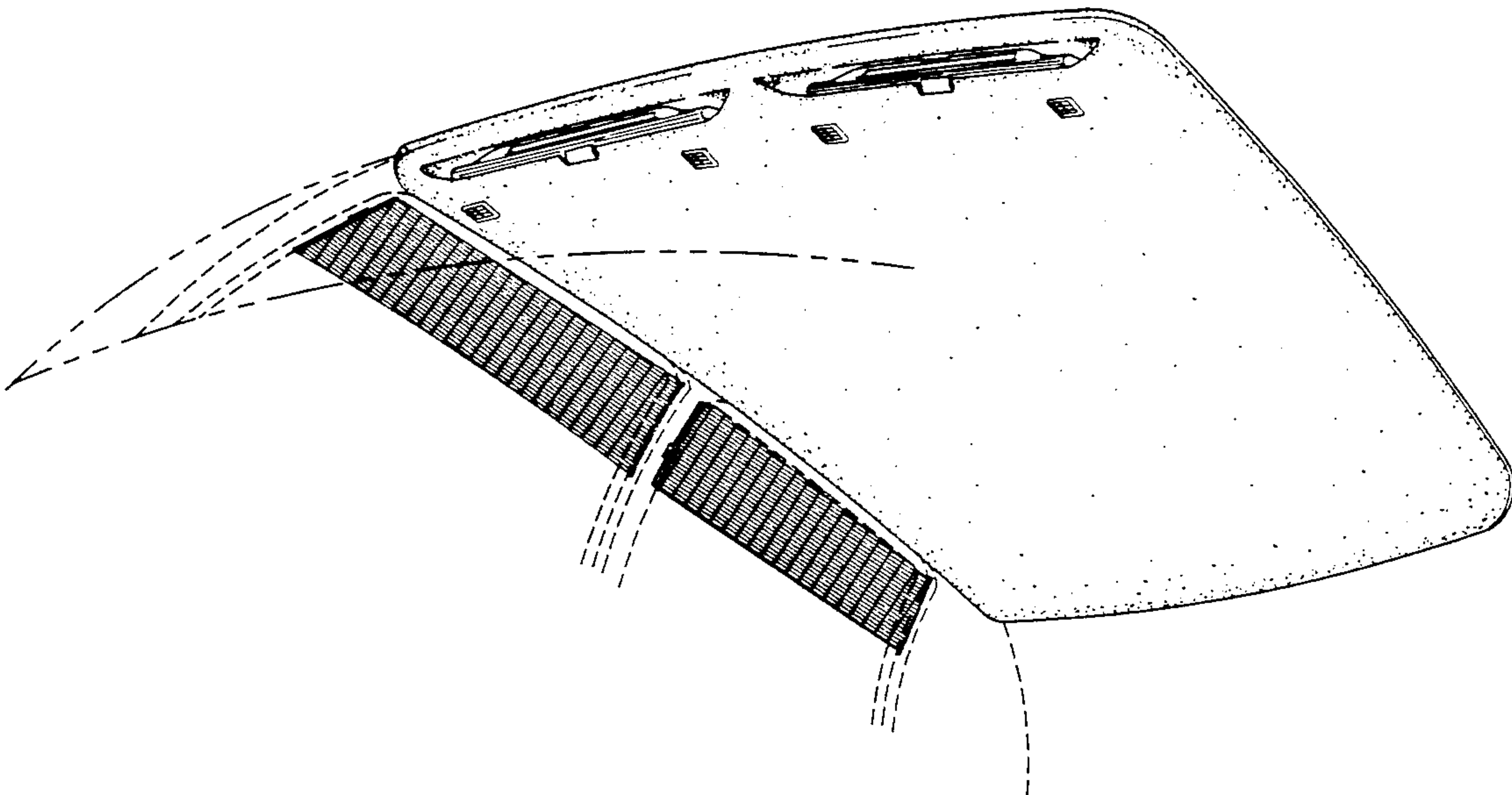
FIG. 5 is an enlarged fragmentary rear perspective view of the right segment of the front portion of the headliner shown in FIG. 4;

FIG. 6 is a fragmentary rear perspective view of the right segment of the front portion of the headliner shown in FIG. 4 with only the vanity mirror portion of the integral retractable visor-vanity mirror unit in extended condition;

FIG. 7 is a fragmentary side elevation view taken from the left of FIG. 5 to a slightly enlarged scale; and,

FIG. 8 is an enlarged side elevation view of one of the sunshades of the retractable side window sunshade units thereof in partially extended condition it being understood that the three remaining sunshades are the same as that shown.

The top of the headliner forming part of the claimed design is understood to be plain and unornamented and the broken lines shown in FIGS. 1, 4, and 8 of the drawing are for illustrative purposes only and form no part of the claimed design.



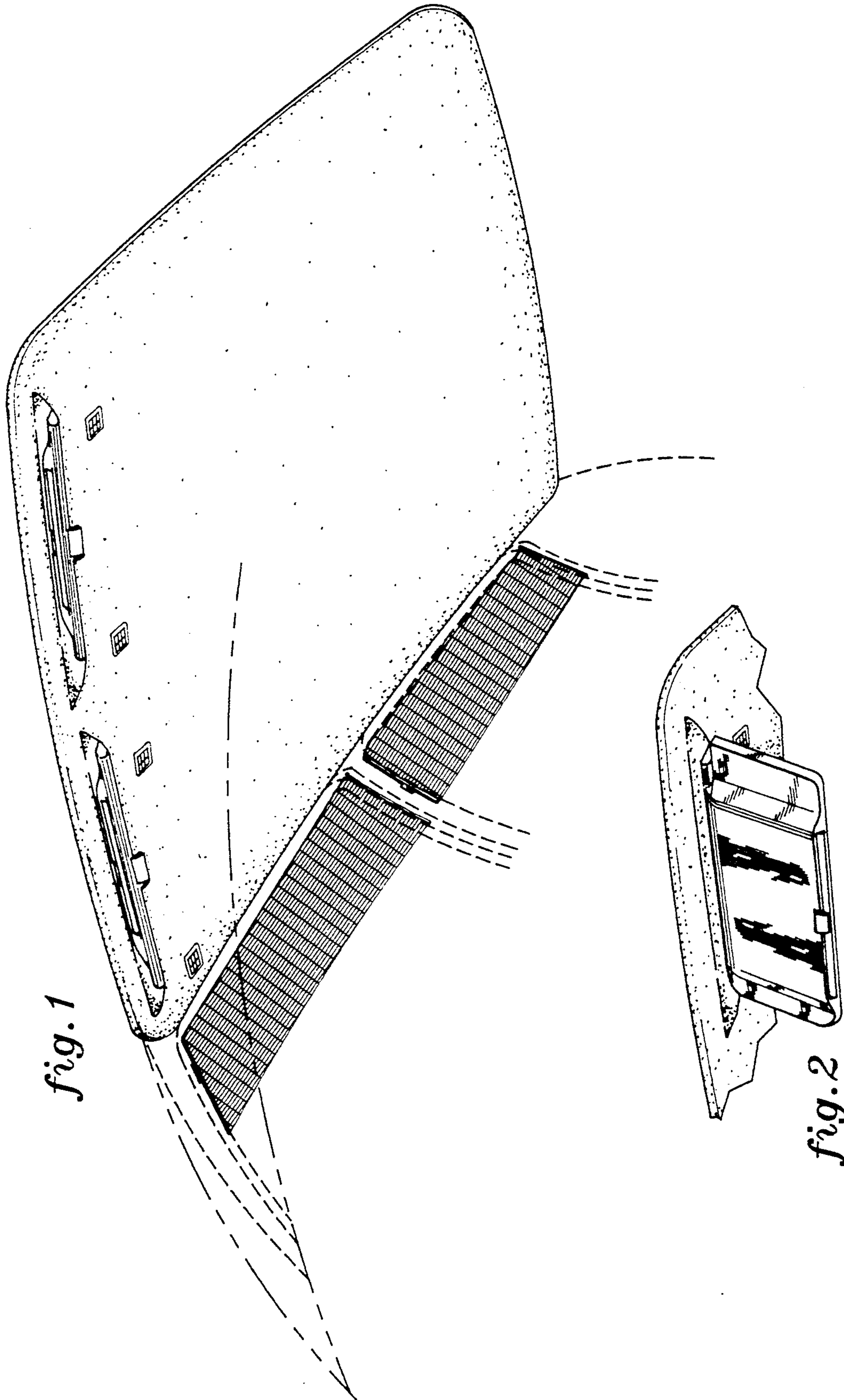


fig.5

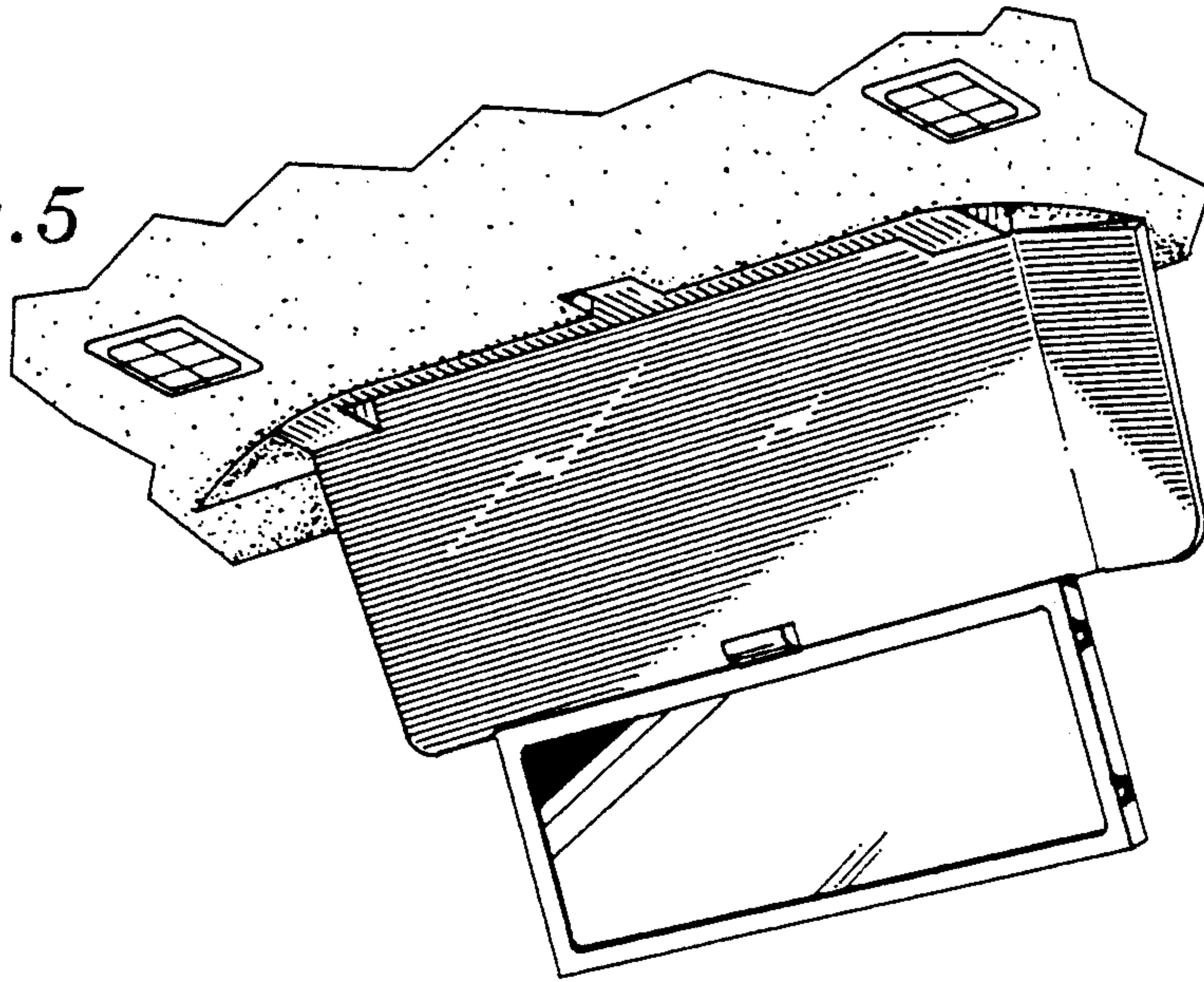


fig.3

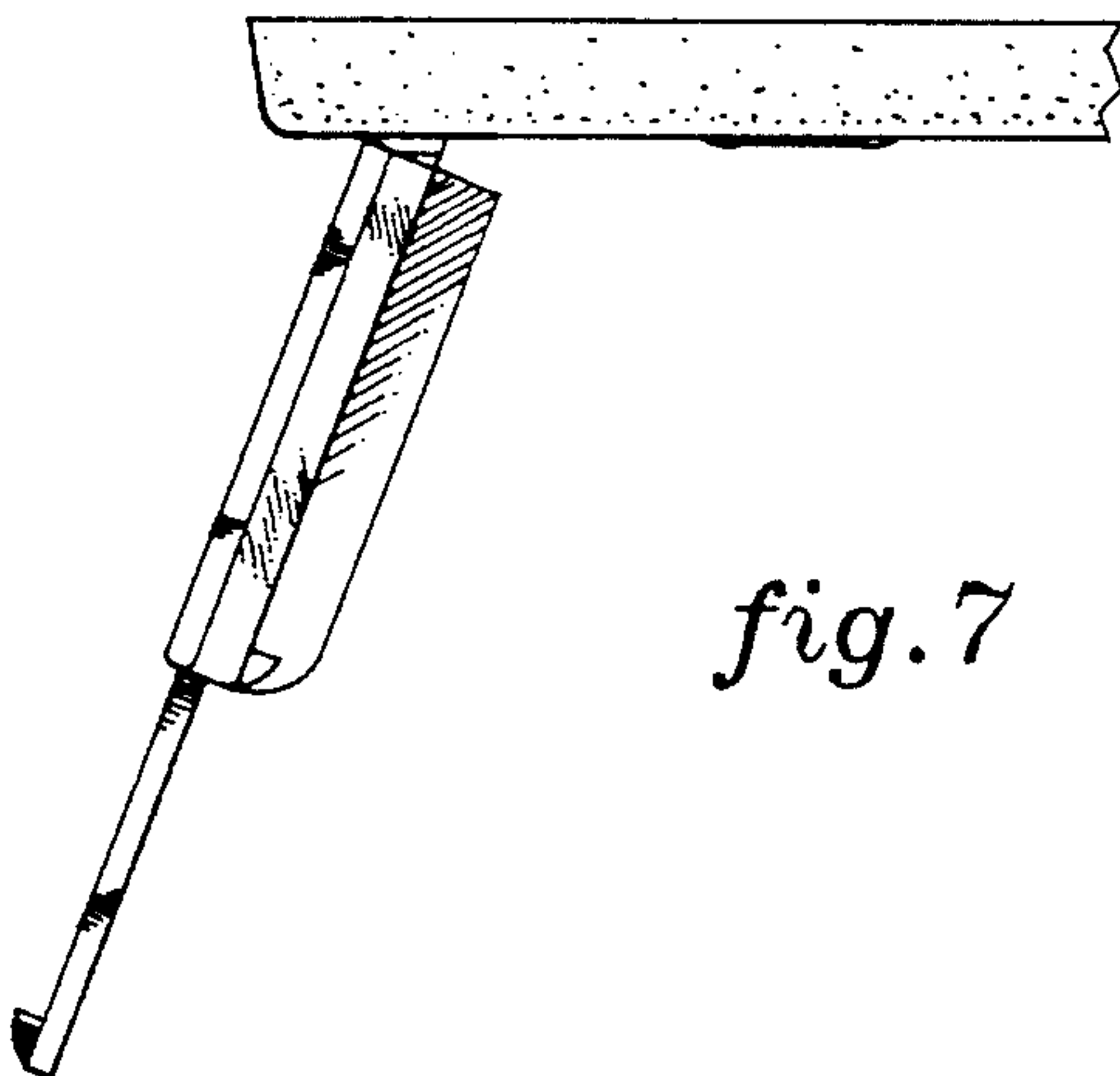
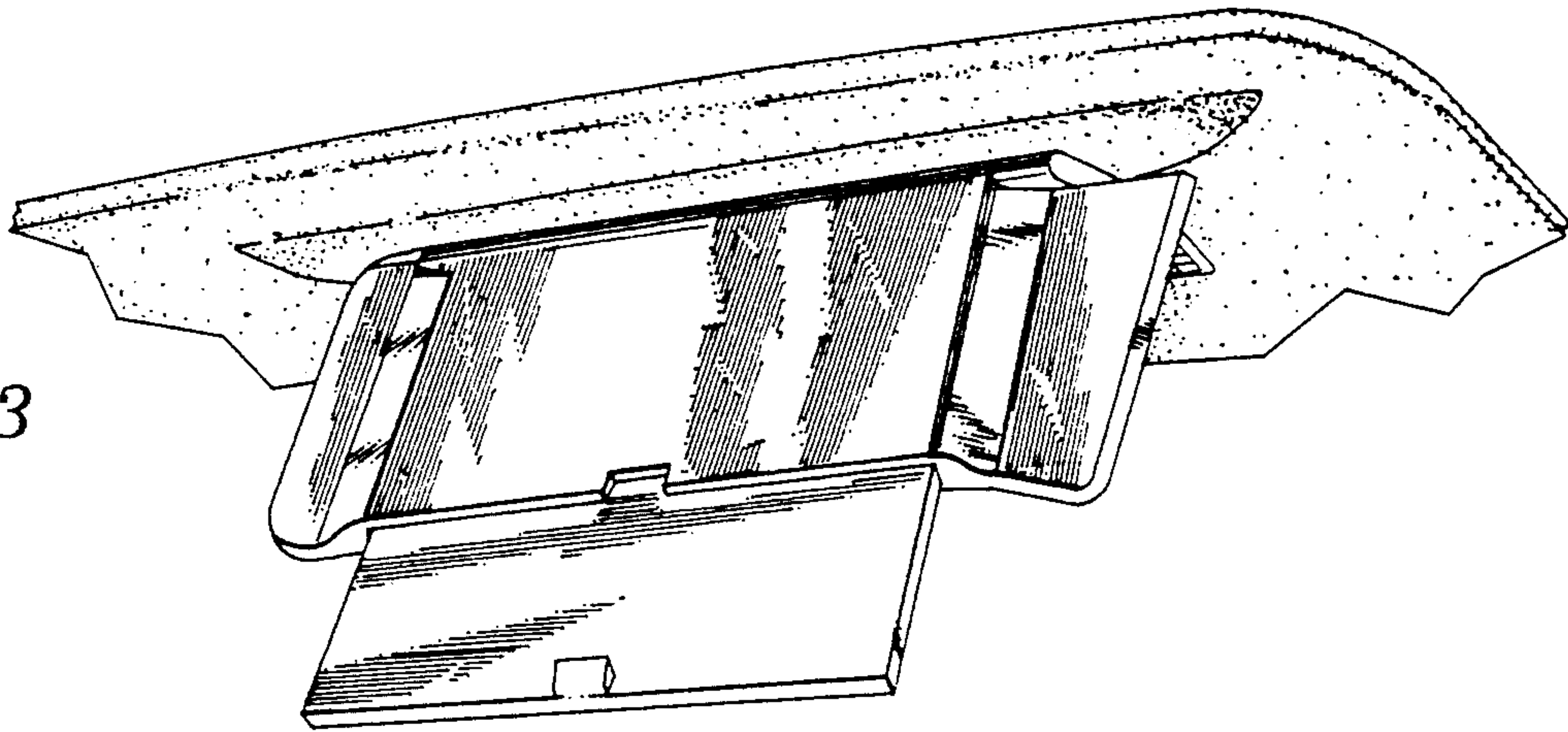


fig.7

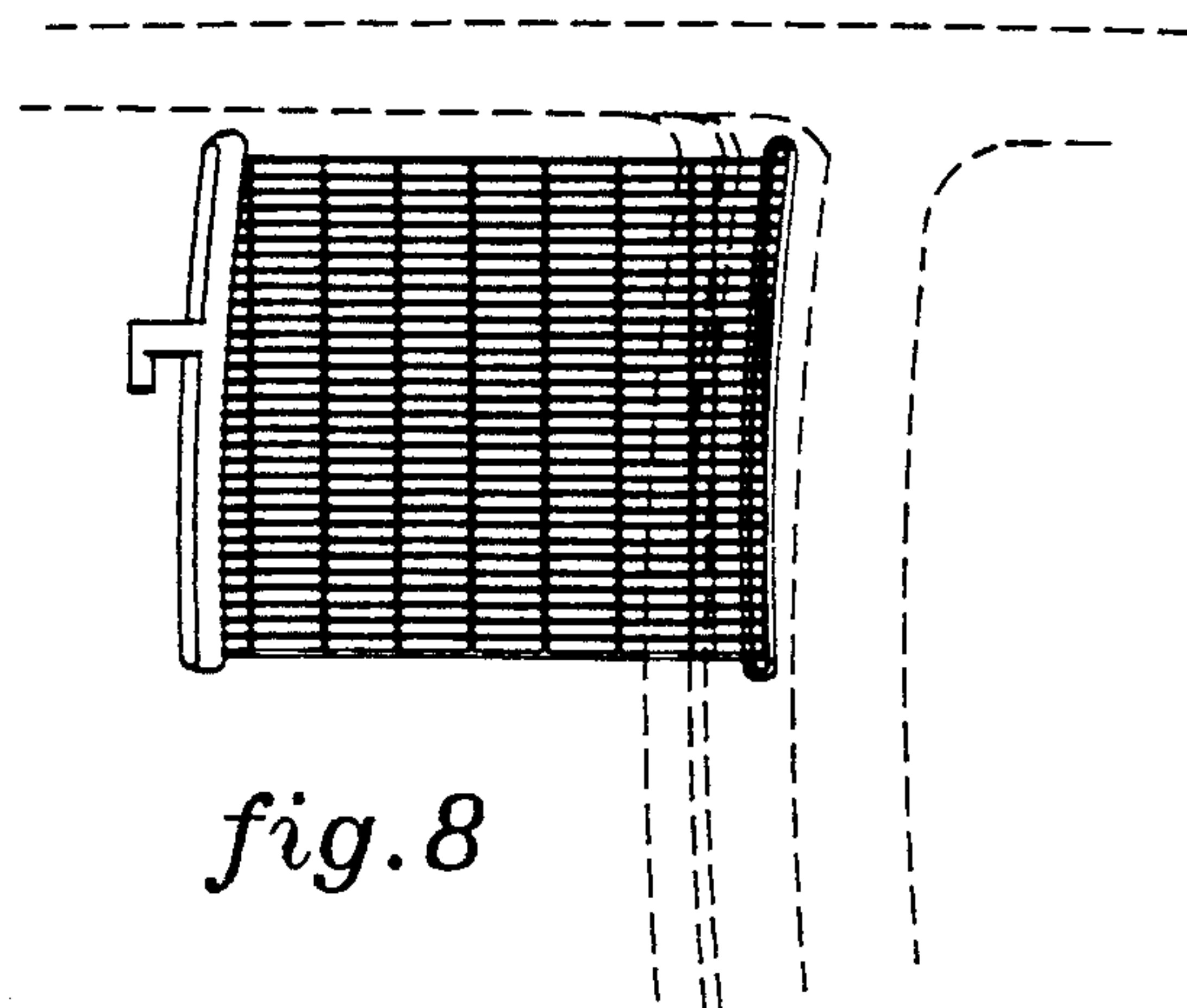


fig.8

