



US00D341559S

United States Patent [19]

[11] Patent Number: **Des. 341,559**

Lurois

[45] Date of Patent: **** Nov. 23, 1993**

[54] **TIRE**

D. 333,452 2/1993 Crano et al. D12/146

[75] Inventor: **Patrick Lurois, Greenville, S.C.**

OTHER PUBLICATIONS

[73] Assignee: **Compagnie General des Etablissements Michelin - Michelin & Cie, Clermont-Ferrand Cedex, France**

Tread Design Guide 1991, p. 13, Bridgestone, Potenzare 91.

Tread Design Guide, 1991, p. 20, Cordovan, Grand Prix Touring ST.

[**] Term: **14 Years**

Primary Examiner—James M. Gandy
Attorney, Agent, or Firm—Brumbaugh, Graves, Donohue & Raymond

[21] Appl. No.: **886,630**

[22] Filed: **May 20, 1992**

[57] CLAIM

The ornamental design for a tire, as shown and described.

[30] Foreign Application Priority Data

Nov. 28, 1991 [FR] France 264

DESCRIPTION

[52] U.S. Cl. **D12/147**

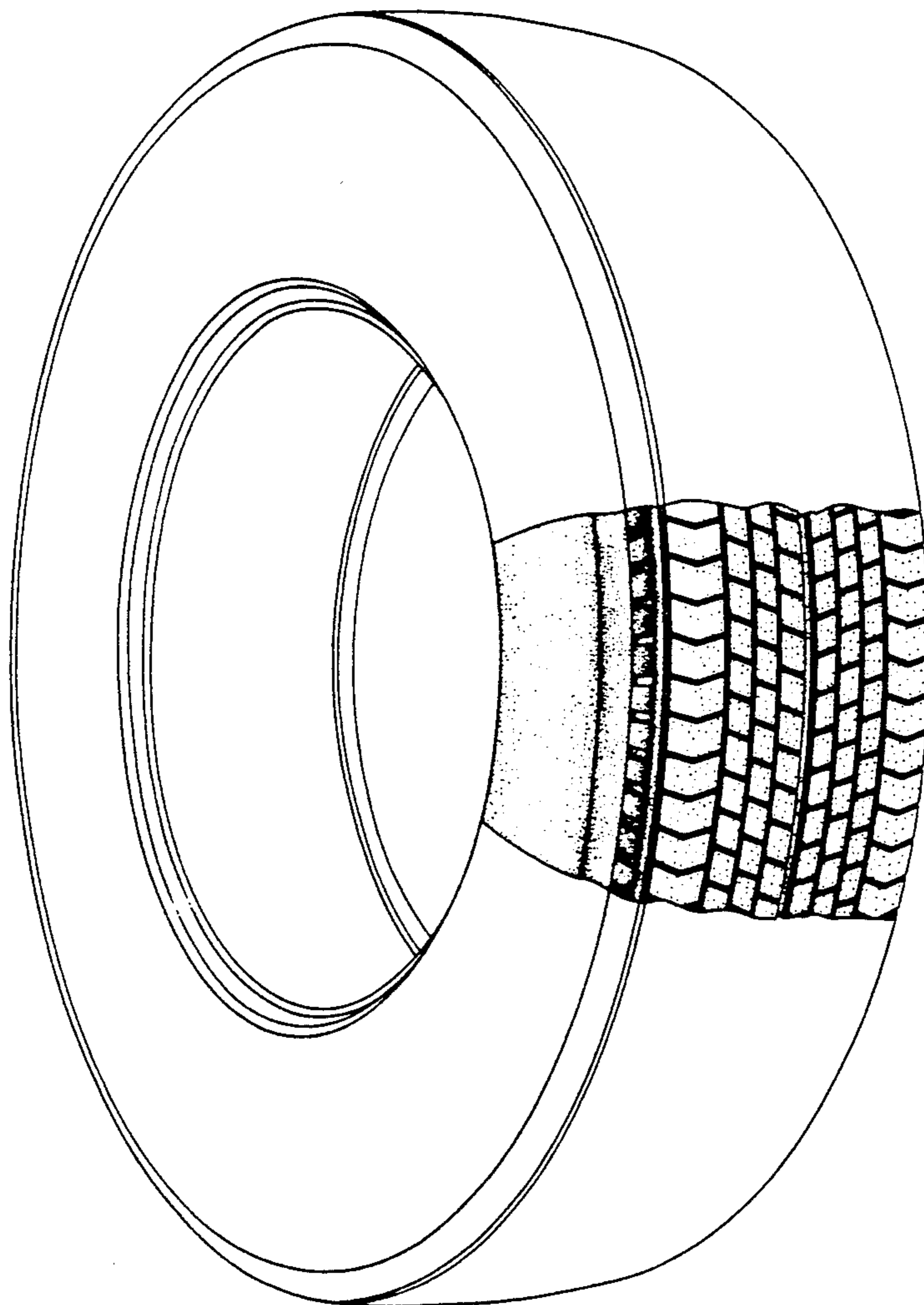
[58] Field of Search D12/140, 145-151; 152/209 R, 209 B, 209 D

FIG. 1 is a perspective view of a tire showing my new design, it being understood that the tread pattern is repeated throughout the circumference of the tire, as shown schematically by solid lines, the opposite side being substantially the same as that shown; and, FIG. 2 is a fragmentary front elevation view of the lower portion thereof.

[56] References Cited

U.S. PATENT DOCUMENTS

D. 278,617 4/1985 Kojima et al. D12/147



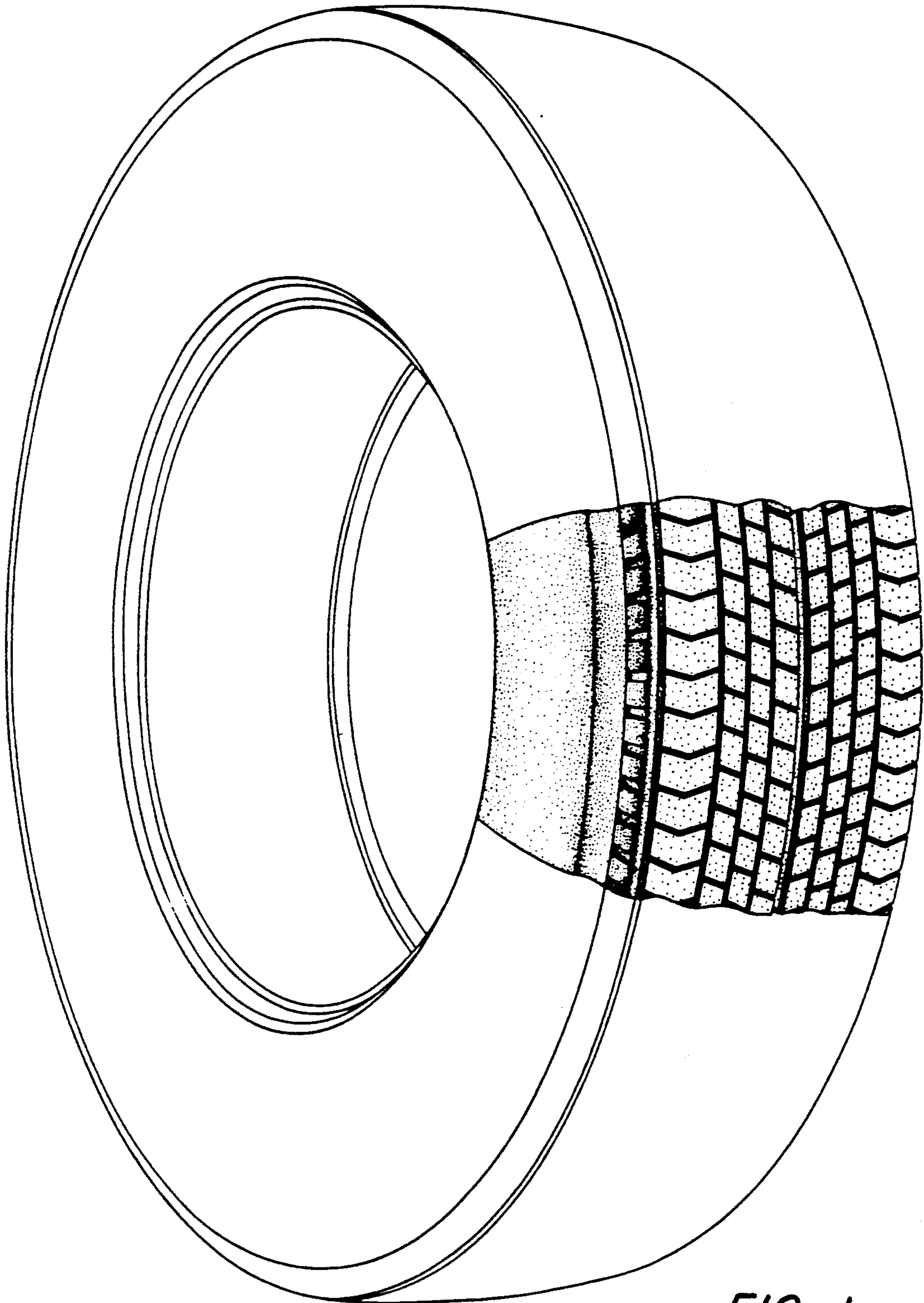


FIG. 1

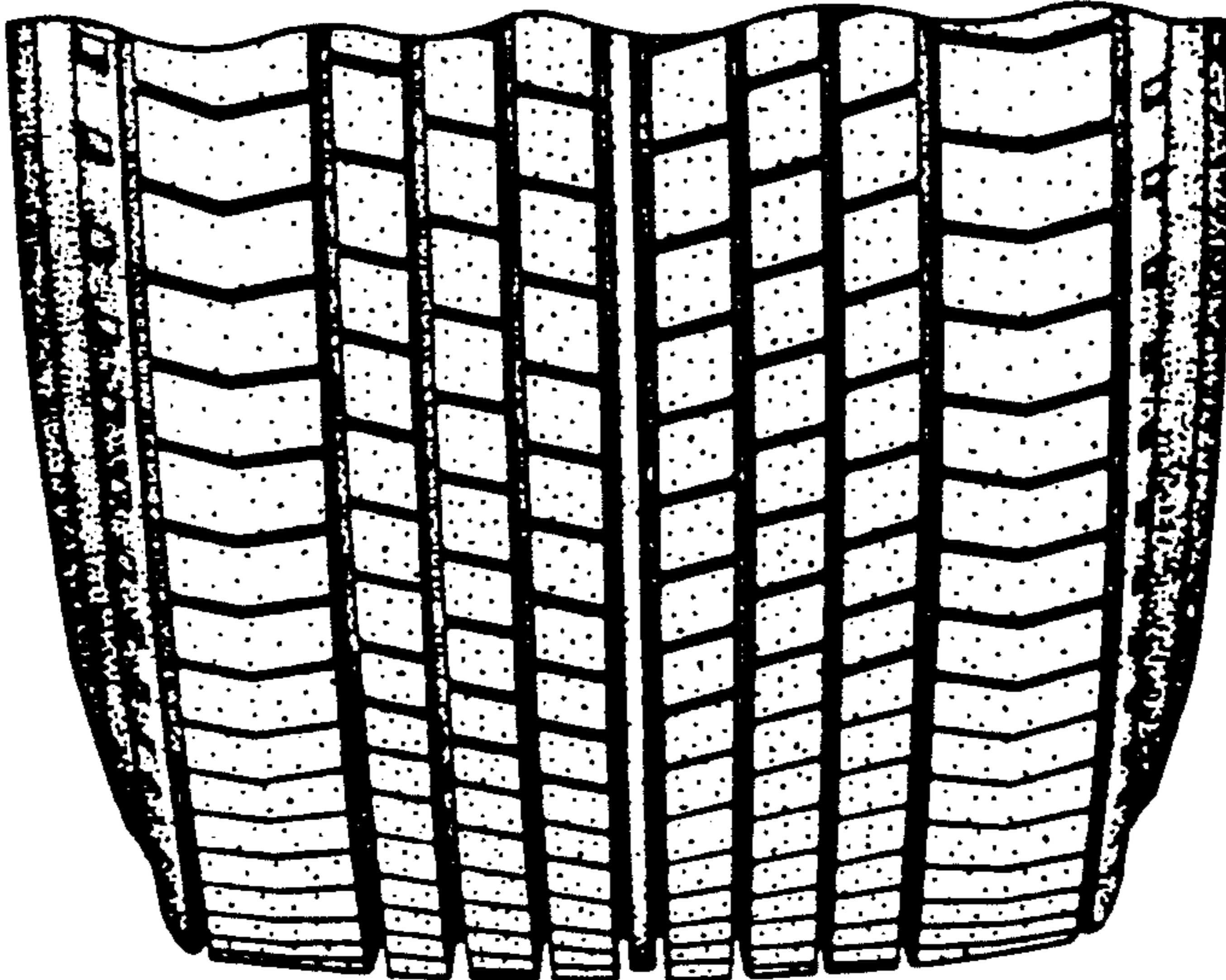


FIG. 2