



US00D341557S

United States Patent [19]
Ebbott

[11] **Patent Number: Des. 341,557**

[45] **Date of Patent: ** Nov. 23, 1993**

[54] **TIRE TREAD**

[75] **Inventor: Deborah L. Ebbott, Cuyahoga Falls, Ohio**

[73] **Assignee: The Goodyear Tire & Rubber Company, Akron, Ohio**

[**] **Term: 14 Years**

[21] **Appl. No.: 825,184**

[22] **Filed: Jan. 24, 1992**

[52] **U.S. Cl. D12/141**

[58] **Field of Search D12/136, 137, 141-143; 152/209 R, 209 D**

[56] **References Cited**

U.S. PATENT DOCUMENTS

- D. 49,952 11/1916 Crowley D12/137
- D. 290,941 7/1987 Matsuda D12/142
- 4,926,919 5/1990 Hopkins et al. 152/209 R

Primary Examiner—James M. Gandy

Attorney, Agent, or Firm—T. P. Lewandowski

[57] **CLAIM**

The ornamental design for a tire tread, as shown and described.

DESCRIPTION

FIG. 1 is a perspective view of a tire tread showing my new design;

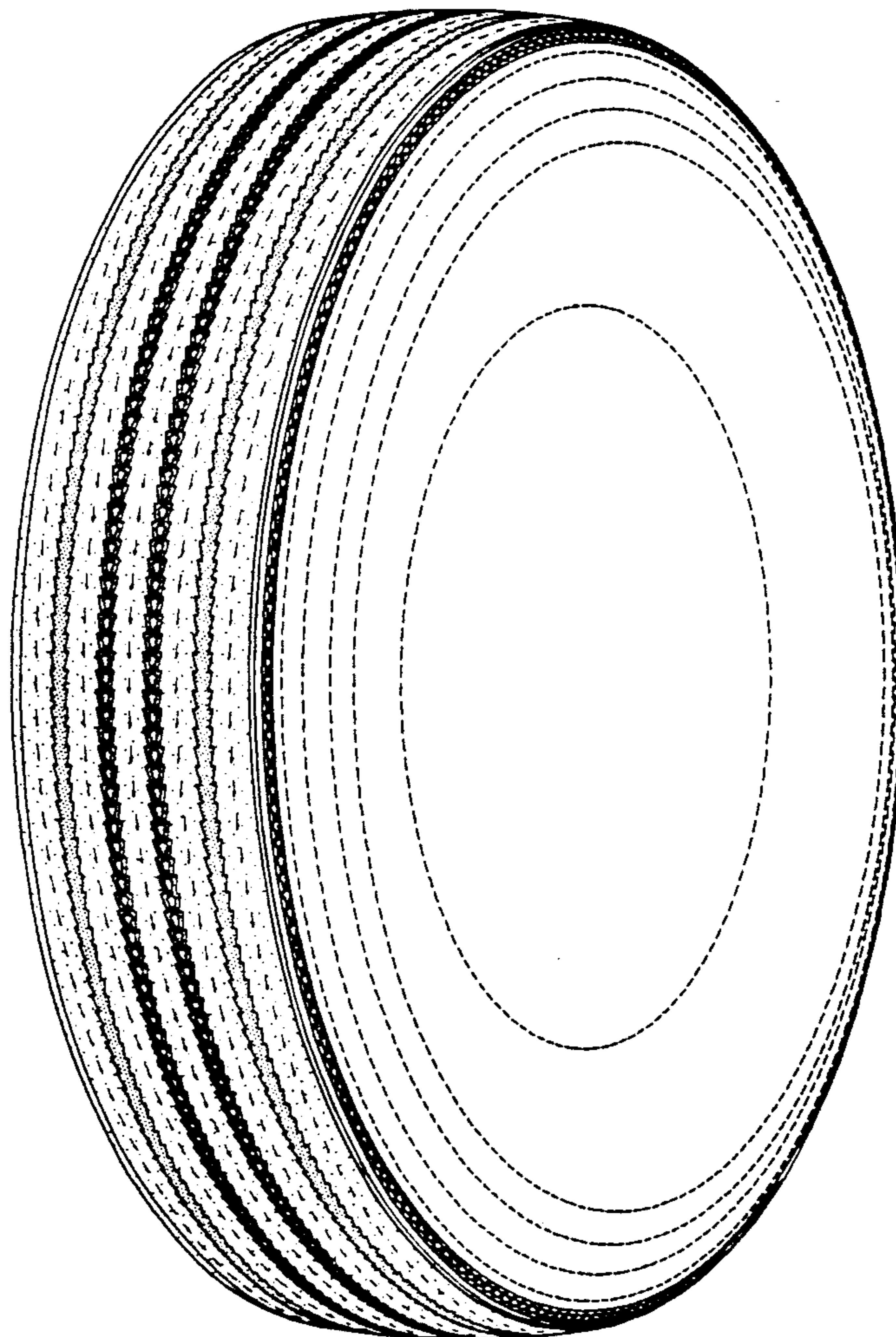
FIG. 2 is a front elevational view thereof;

FIG. 3 is a side elevational view thereof;

FIG. 4 is an enlarged front view thereof; and,

FIG. 5 is a front elevational view of a tire tread showing a second embodiment my new design, the sole difference being that the outer edge of the opposing outer grooves is recessed in from the outer peripheral surface of the tread.

The tread pattern is understood to be repeated uniformly throughout the circumference of both embodiments of the tire tread, and the broken line showing of the sidewalls in all views of the drawing is for illustrative purposes only and form no part of the claimed design.



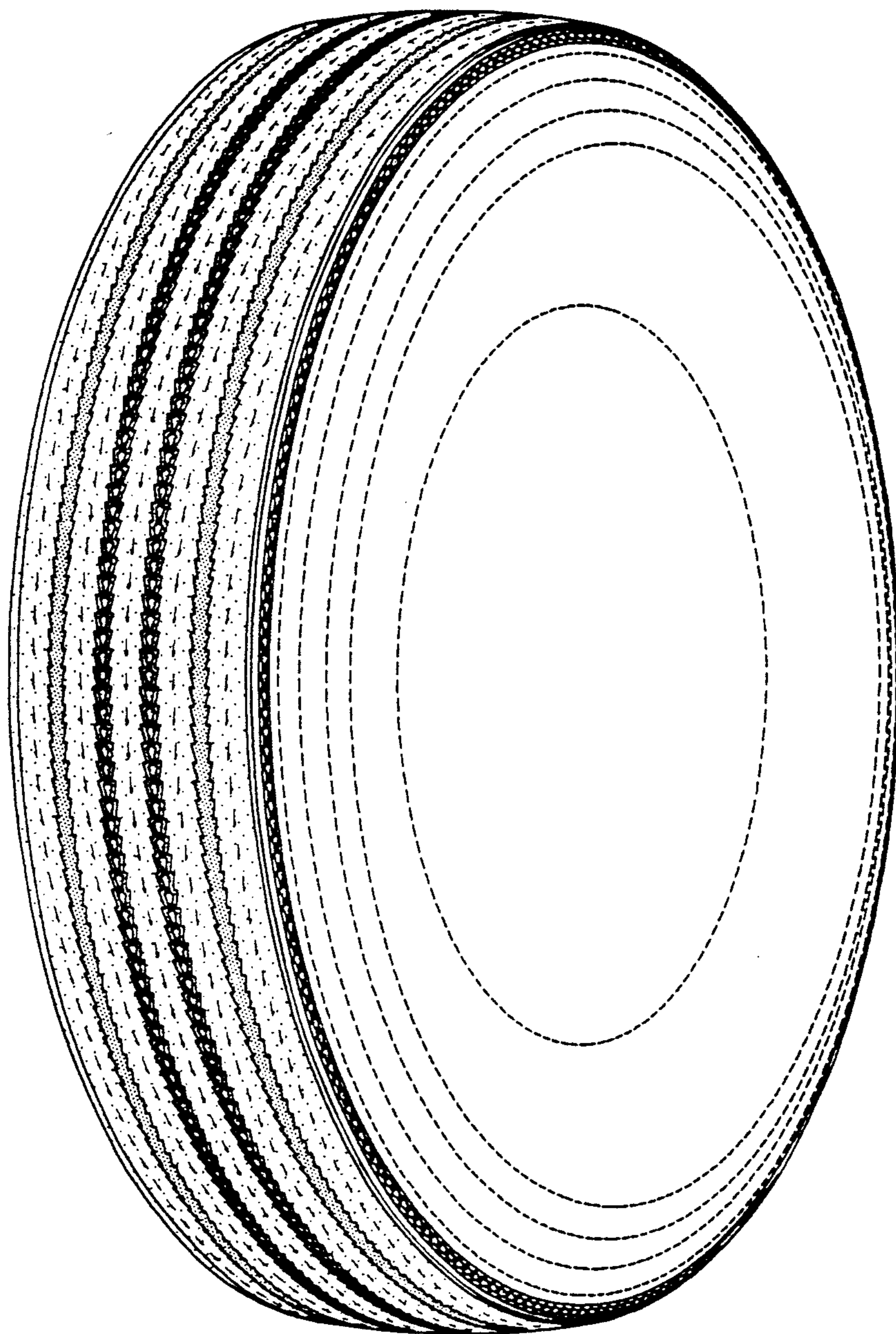


FIG-1

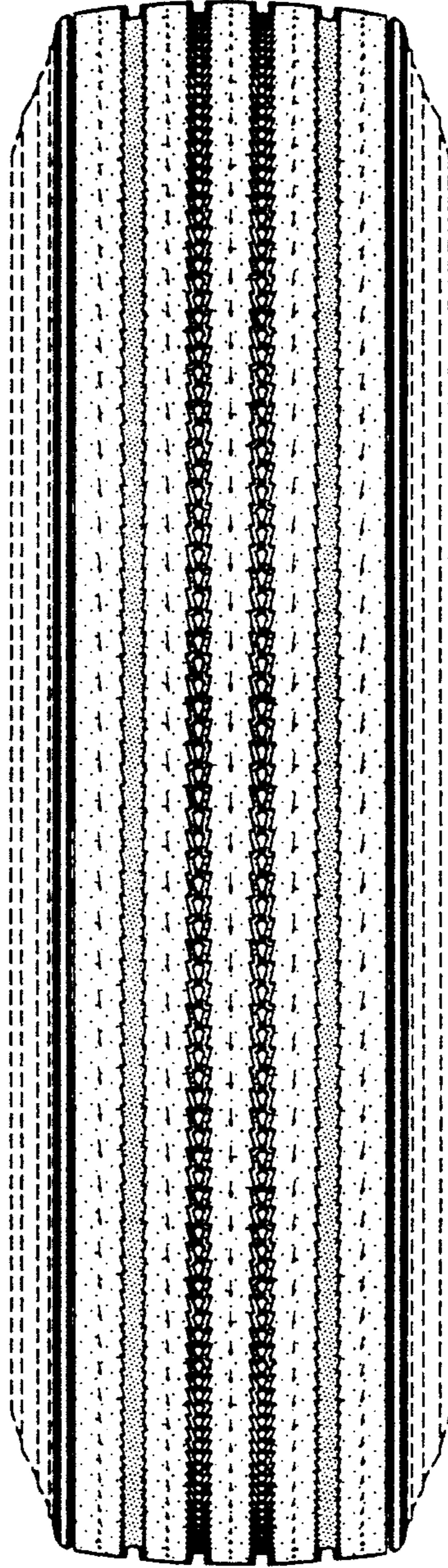


FIG-2

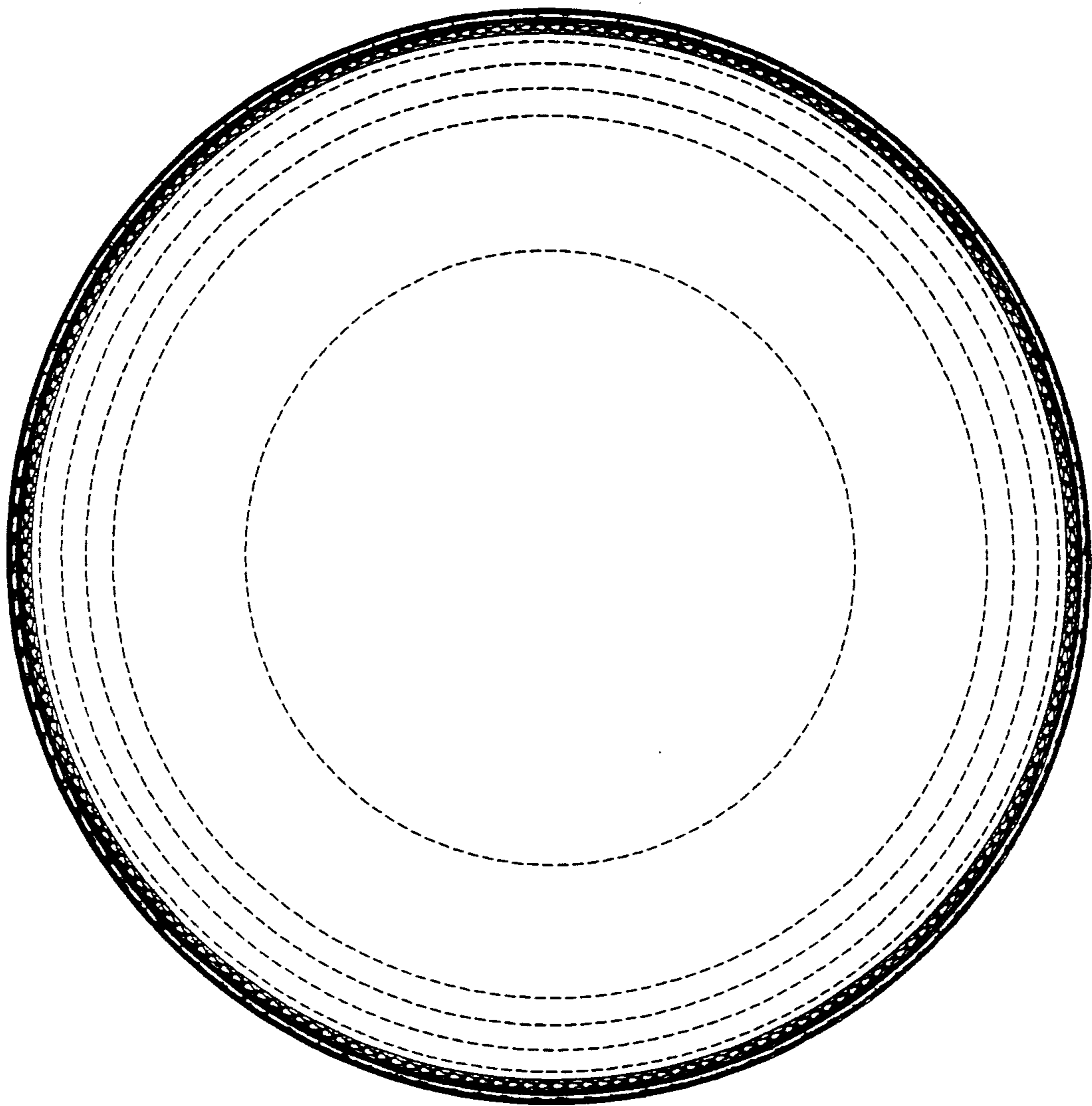


FIG-3

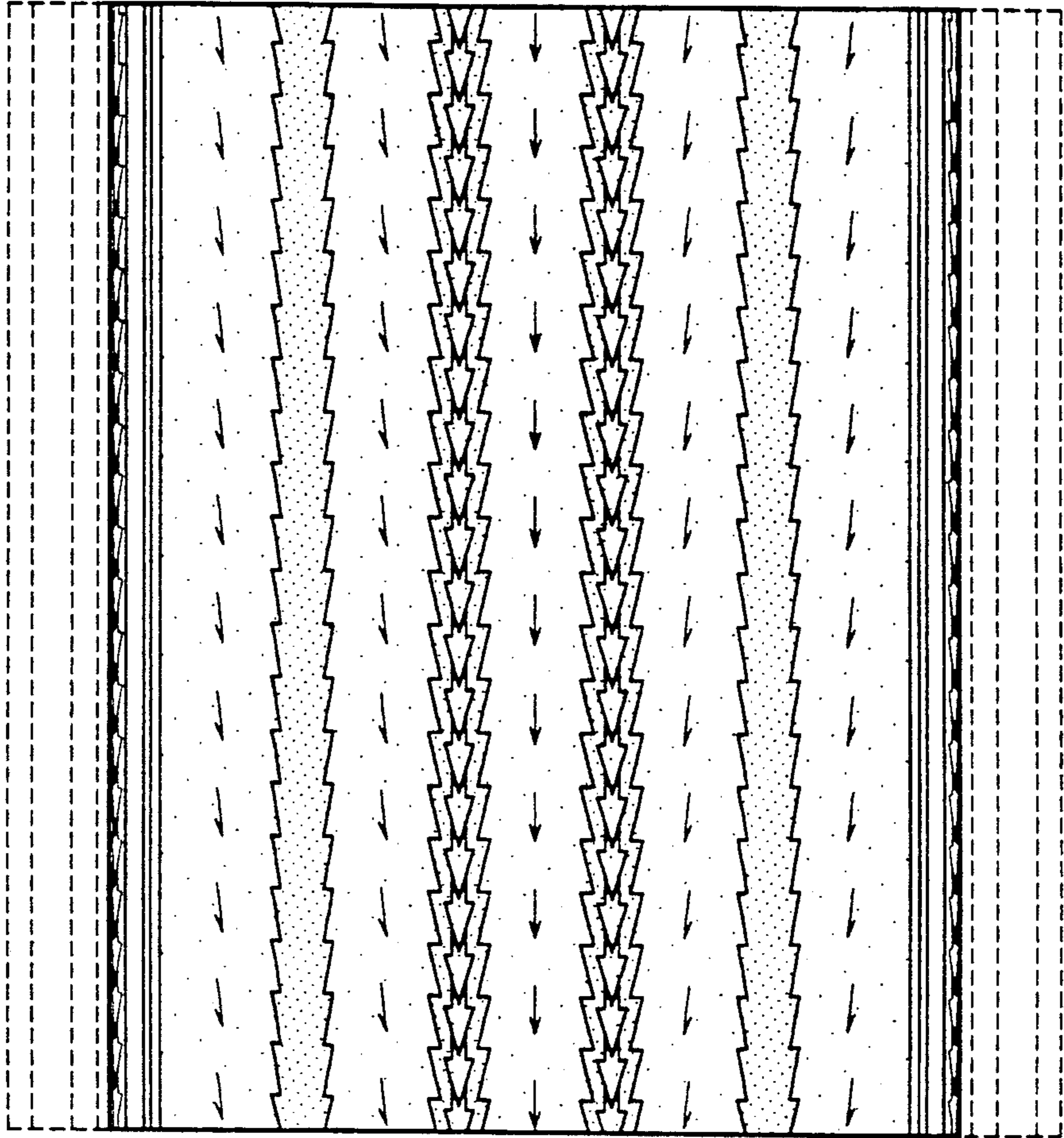


FIG-4

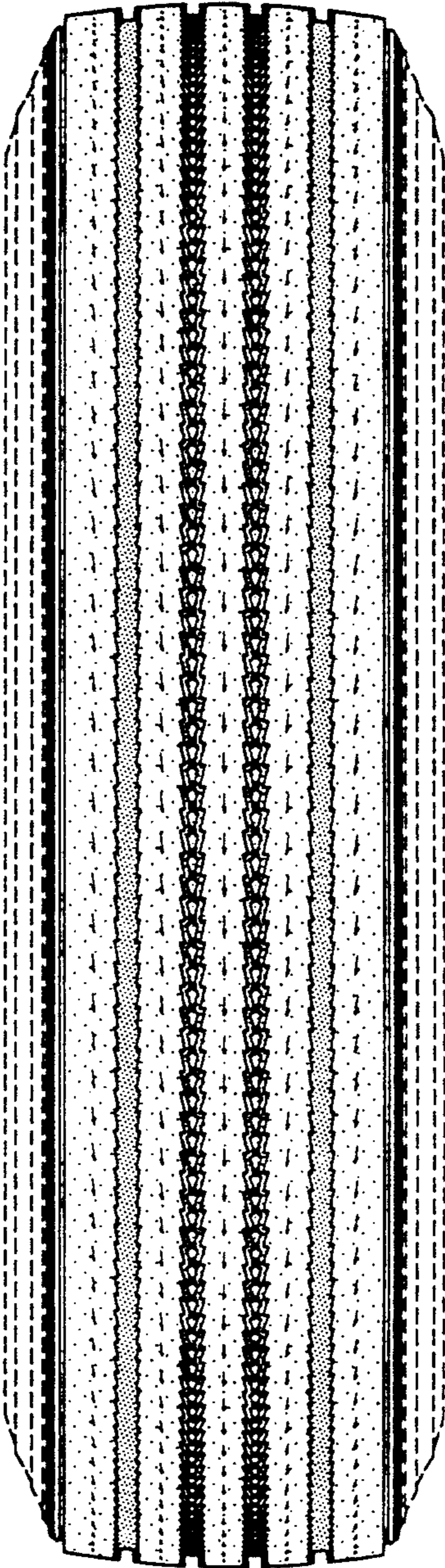


FIG-5