



US00D341555S

# United States Patent [19]

Cone et al.

[11] Patent Number: **Des. 341,555**

[45] Date of Patent: **\*\* Nov. 23, 1993**

[54] **STROLLER AND HUB COVER**

2394435 12/1979 France ..... 280/644

[75] Inventors: **Richard E. Cone**, Dayton, Ohio;  
**Dennis M. Turner**, Scipio, Ind.

*Primary Examiner*—Kay H. Chin  
*Attorney, Agent, or Firm*—Barnes & Thornburg

[73] Assignee: **Cosco, Inc.**, Columbus, Ind.

[57] **CLAIM**

[\*\*] Term: **14 Years**

The ornamental design for a stroller and hub cover, as shown and described.

[21] Appl. No.: **817,822**

### DESCRIPTION

[22] Filed: **Jan. 7, 1992**

[52] U.S. Cl. .... **D12/129; D12/128**

[58] Field of Search ..... **D12/128, 129, 133;**  
**280/644, 643, 650, 642, 42, 647**

### [56] References Cited

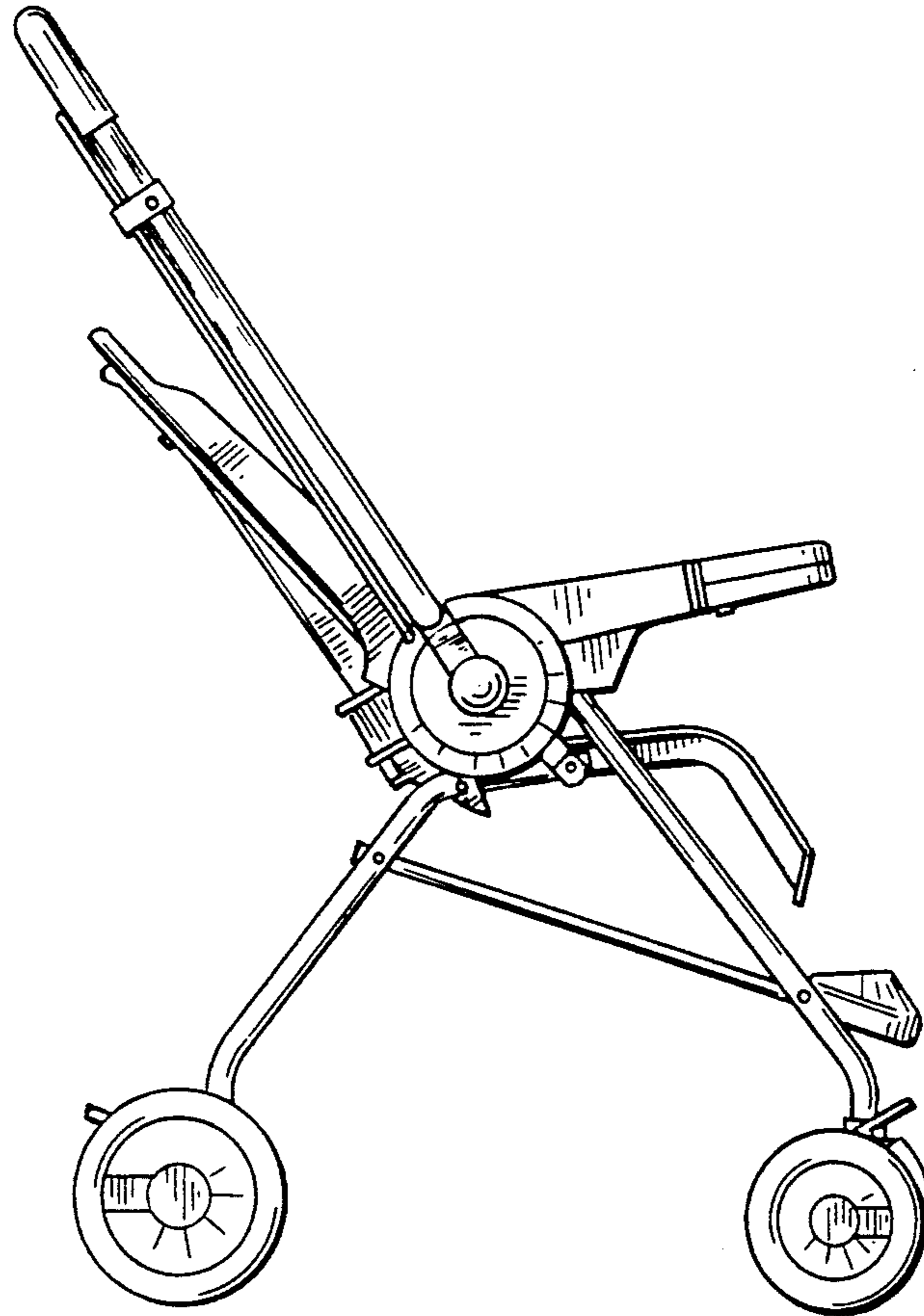
#### U.S. PATENT DOCUMENTS

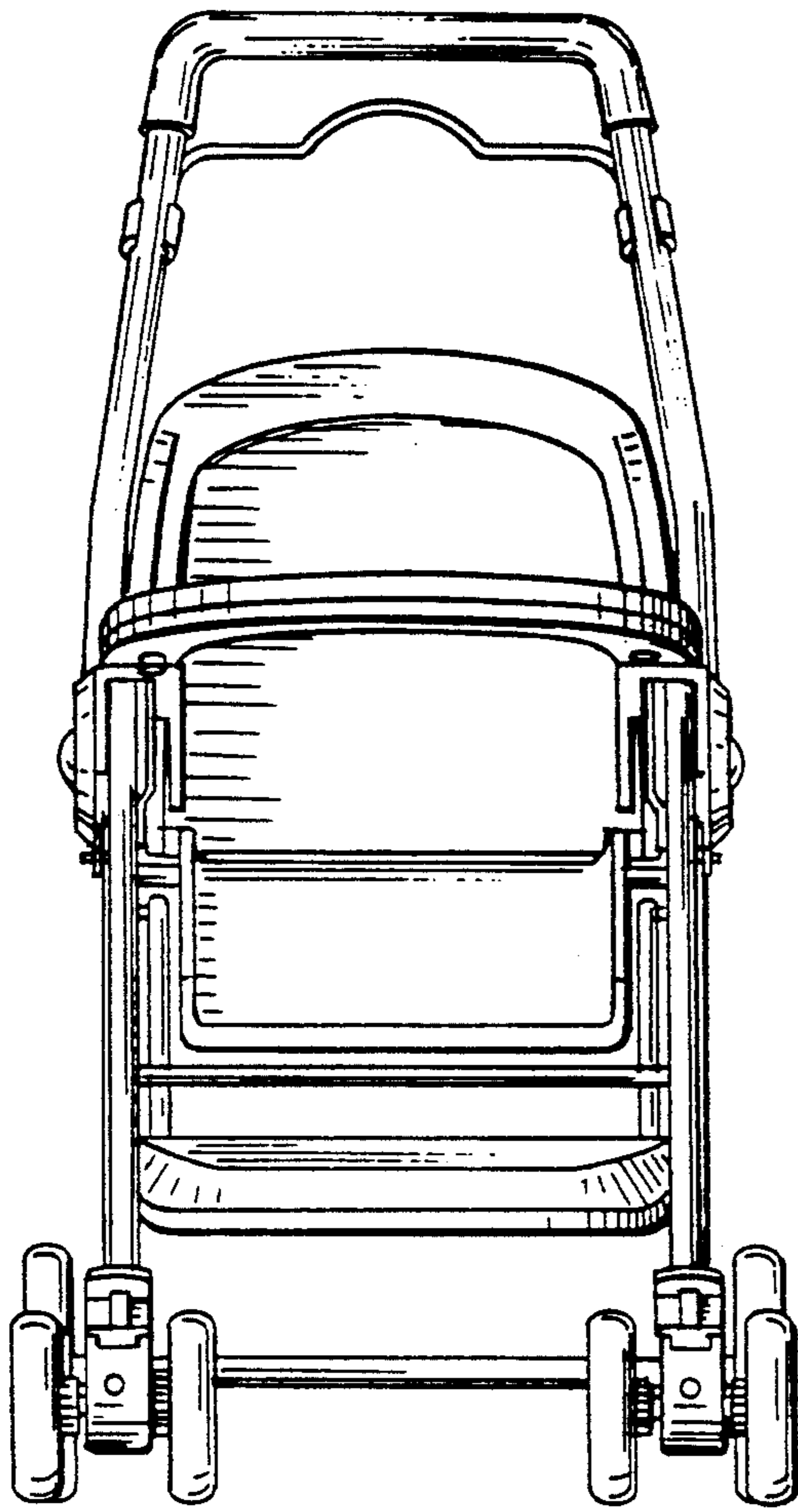
D. 293,776	1/1988	Maard	.....	D12/129
4,191,397	3/1980	Kassai	.....	280/647
4,216,974	8/1980	Kassai	.....	280/42
4,412,688	11/1983	Giordani	.....	280/642
4,606,550	8/1986	Cone	.....	280/642
4,610,460	9/1986	Kassai	.....	280/650
4,725,071	2/1988	Shamie	.....	280/643
4,834,403	5/1989	Yanus et al.	.....	280/30
4,892,327	1/1990	Cabagnero	.....	280/650

#### FOREIGN PATENT DOCUMENTS

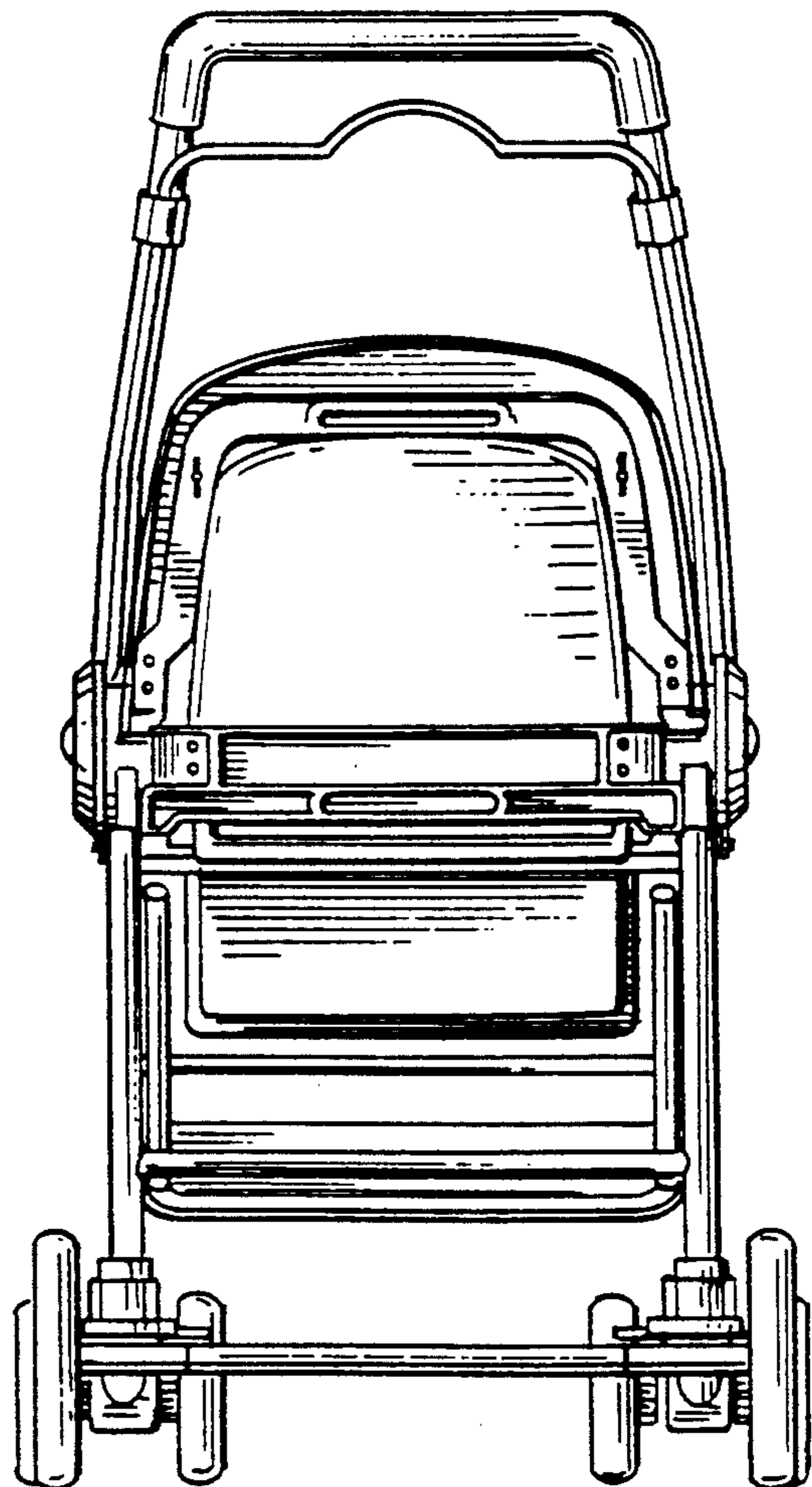
439933	8/1991	European Pat. Off.	.....	280/650
--------	--------	--------------------	-------	---------

FIG. 1 is a front elevational view of a stroller showing our new design;  
 FIG. 2 is a back elevational view thereof;  
 FIG. 3 is a left side elevational view thereof;  
 FIG. 4 is a top plan view thereof;  
 FIG. 5 is a front elevational view of a stroller including seat padding and a canopy showing another embodiment of our new design;  
 FIG. 6 is a back elevational view thereof;  
 FIG. 7 is a left side elevational view thereof;  
 FIG. 8 is a top plan view thereof;  
 FIG. 9 is a perspective view of a hub cover showing our new design;  
 FIG. 10 is a front elevational view thereof;  
 FIG. 11 is a right side elevational view thereof;  
 FIG. 12 is a front elevational view of a hub cover showing another embodiment of our new design; and,  
 FIG. 13 is a right side elevational view thereof.

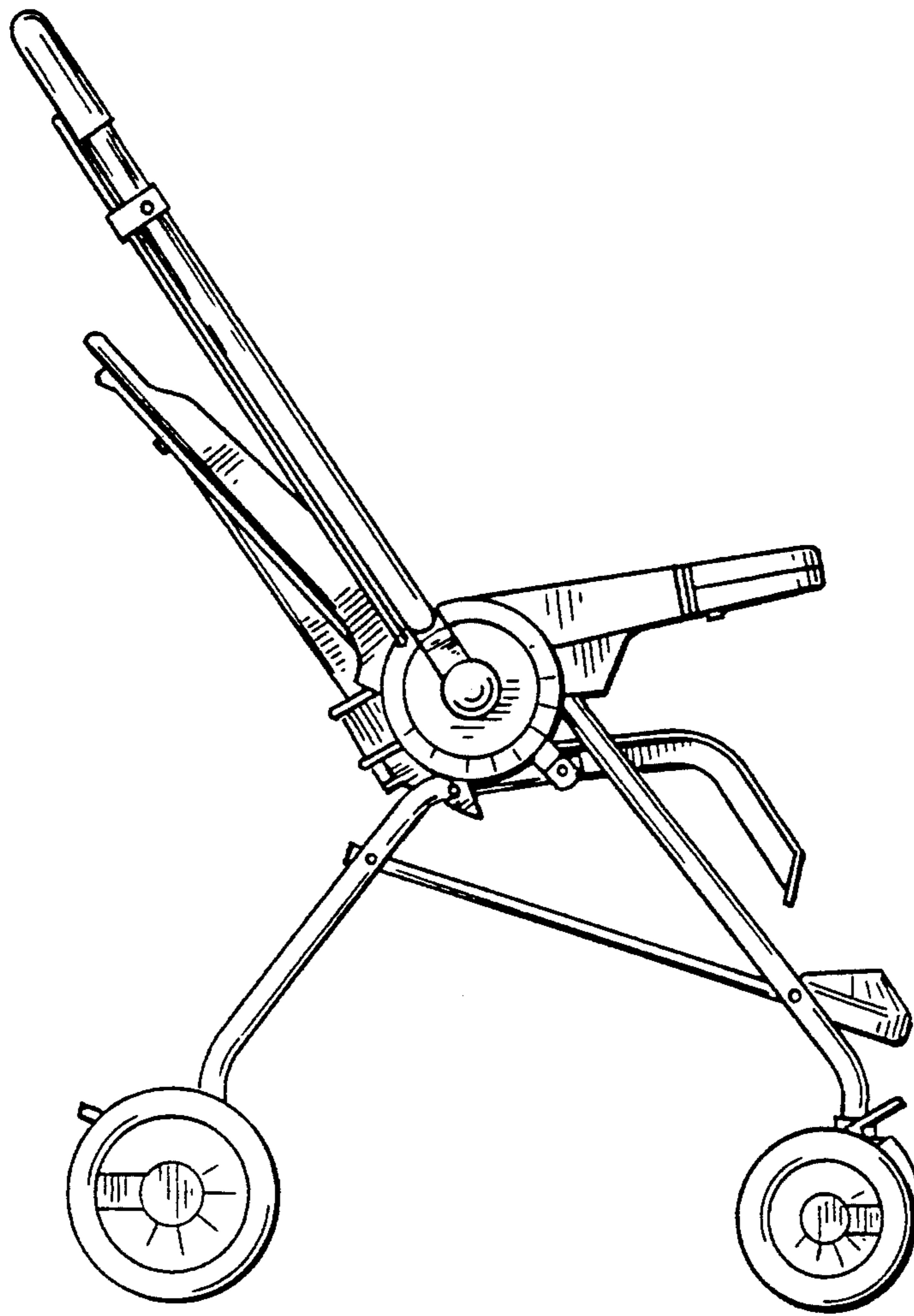




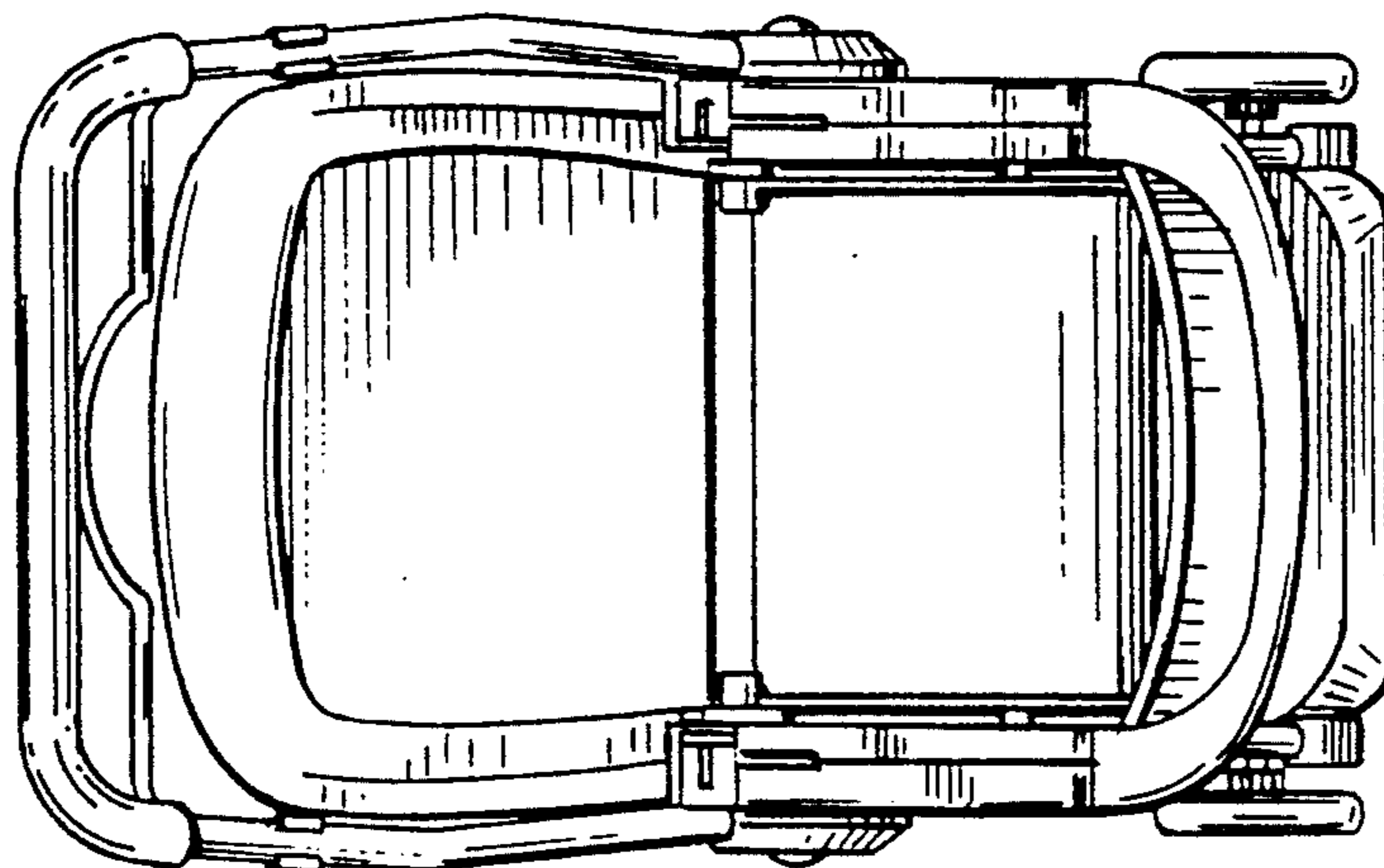
*FIG 1*



*FIG 2*

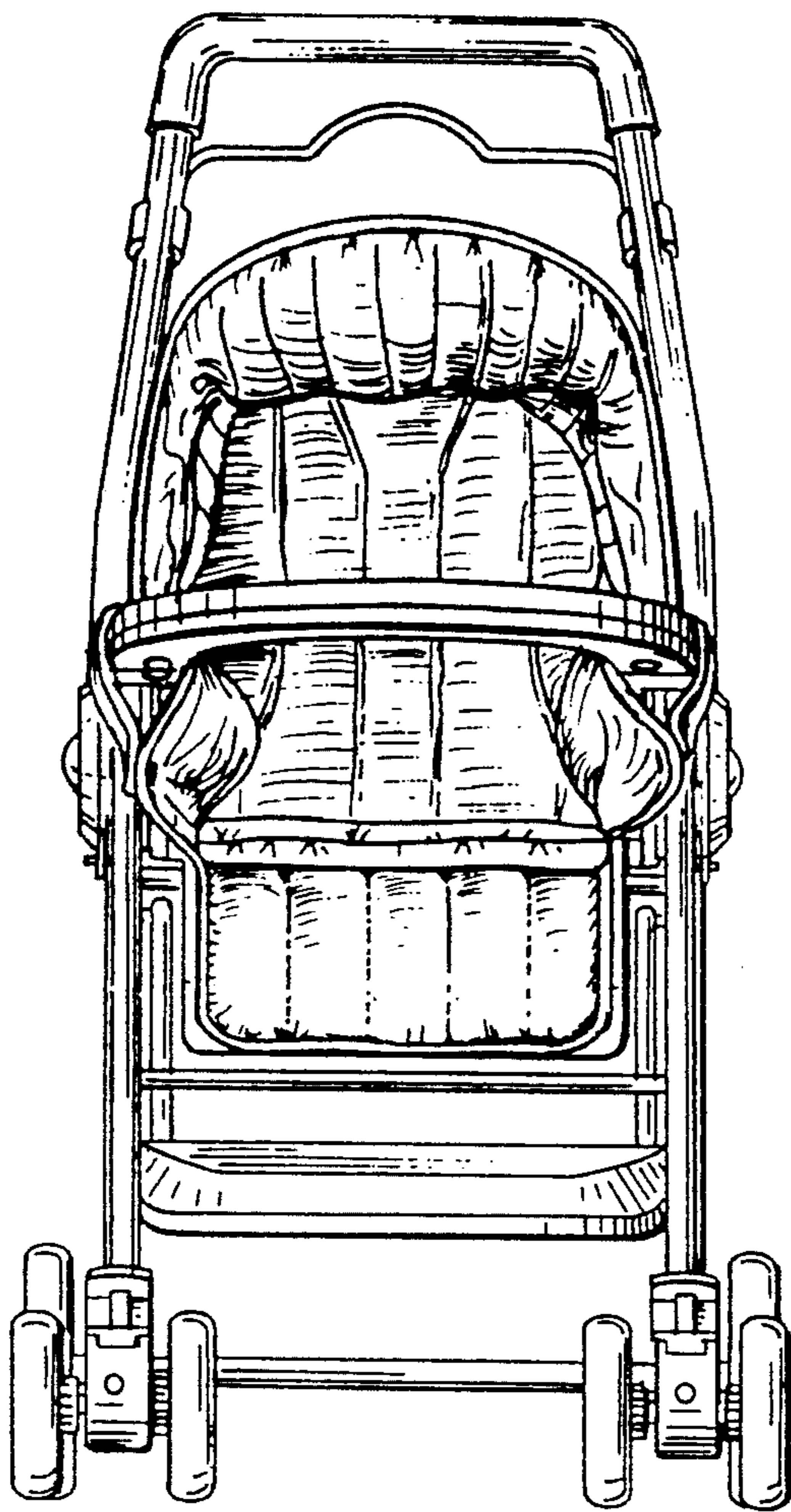


*FIG. 3*



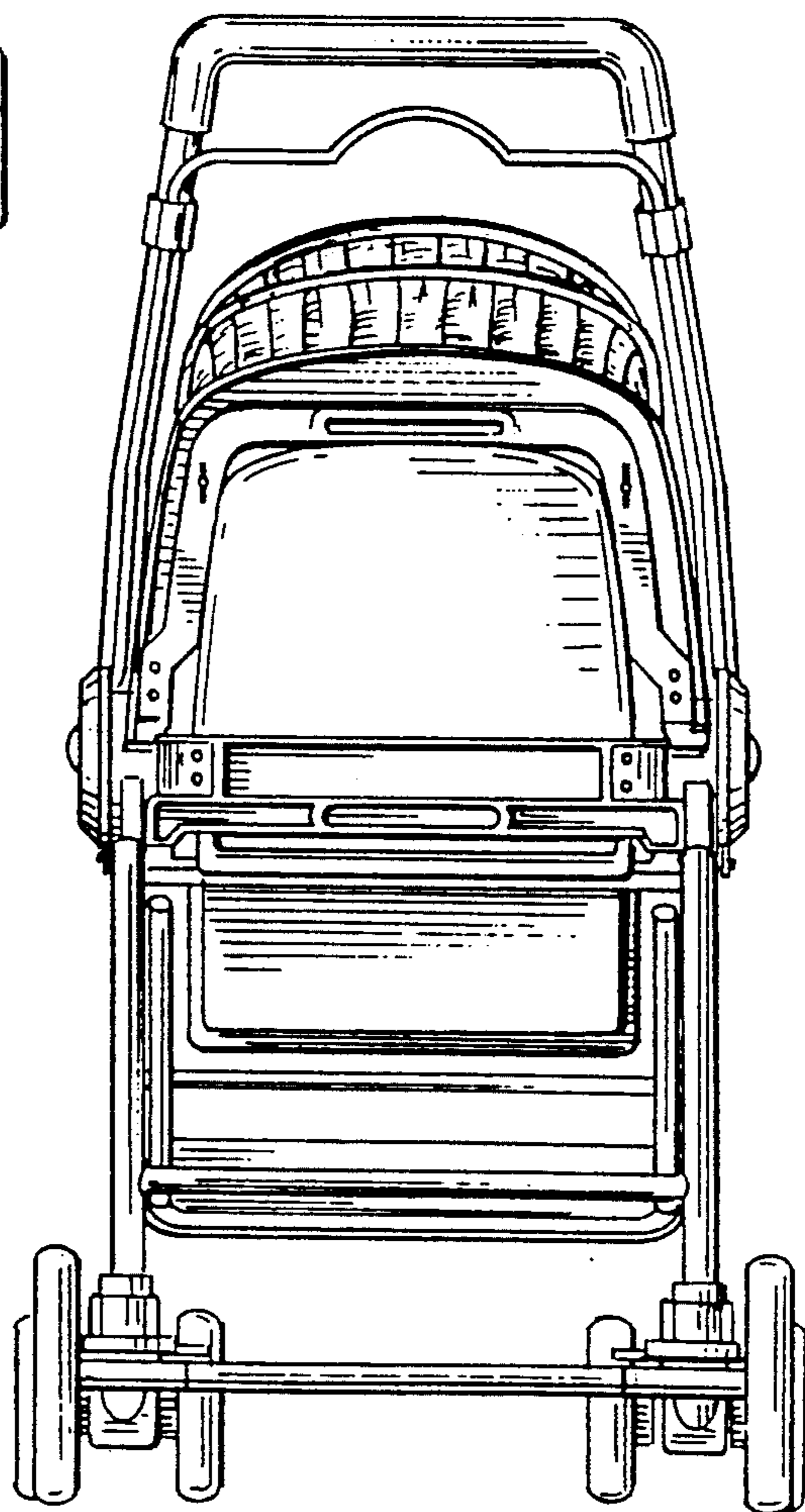
*FIG. 4*





*FIG. 5*

*FIG. 6*



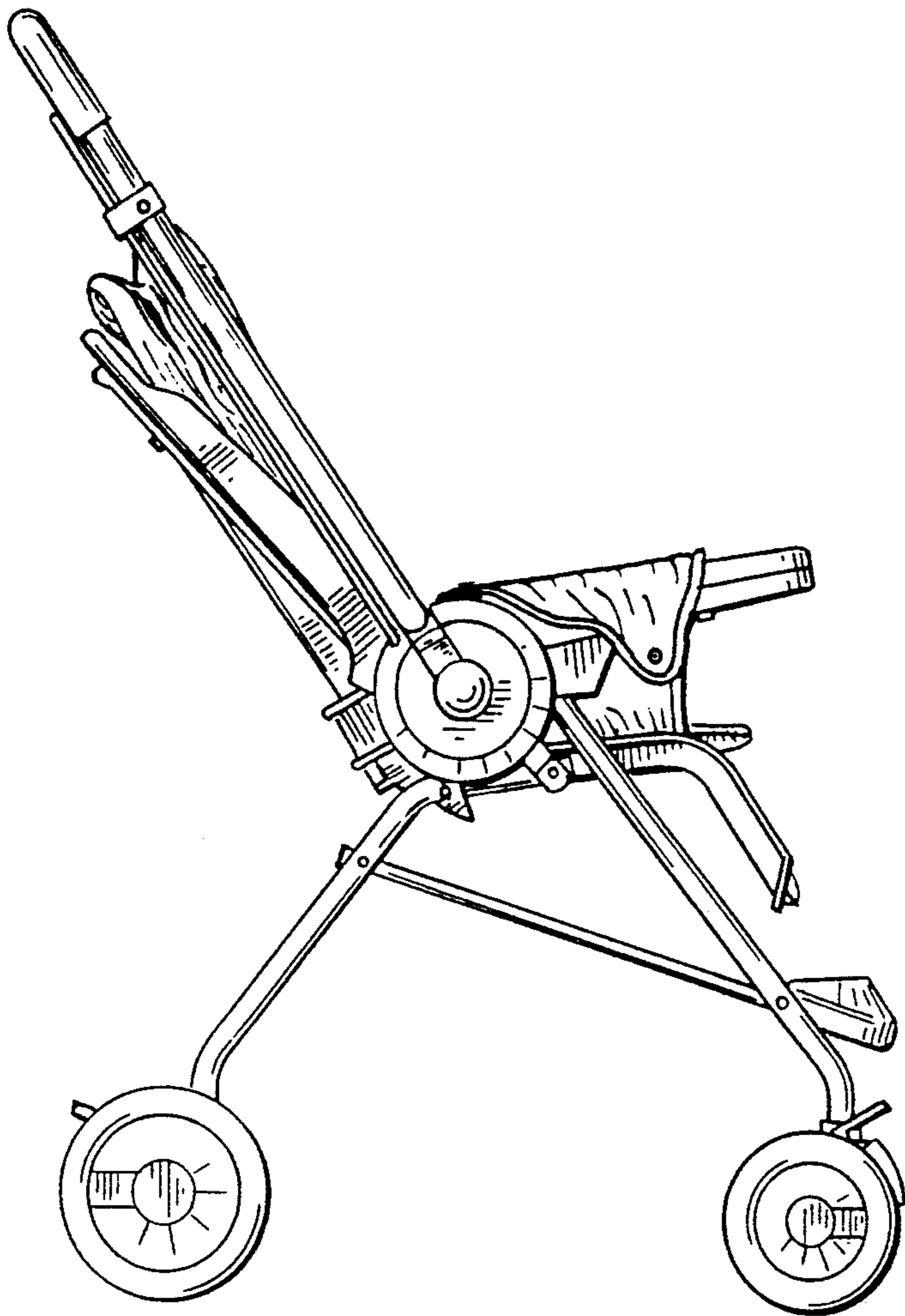


FIG. 7

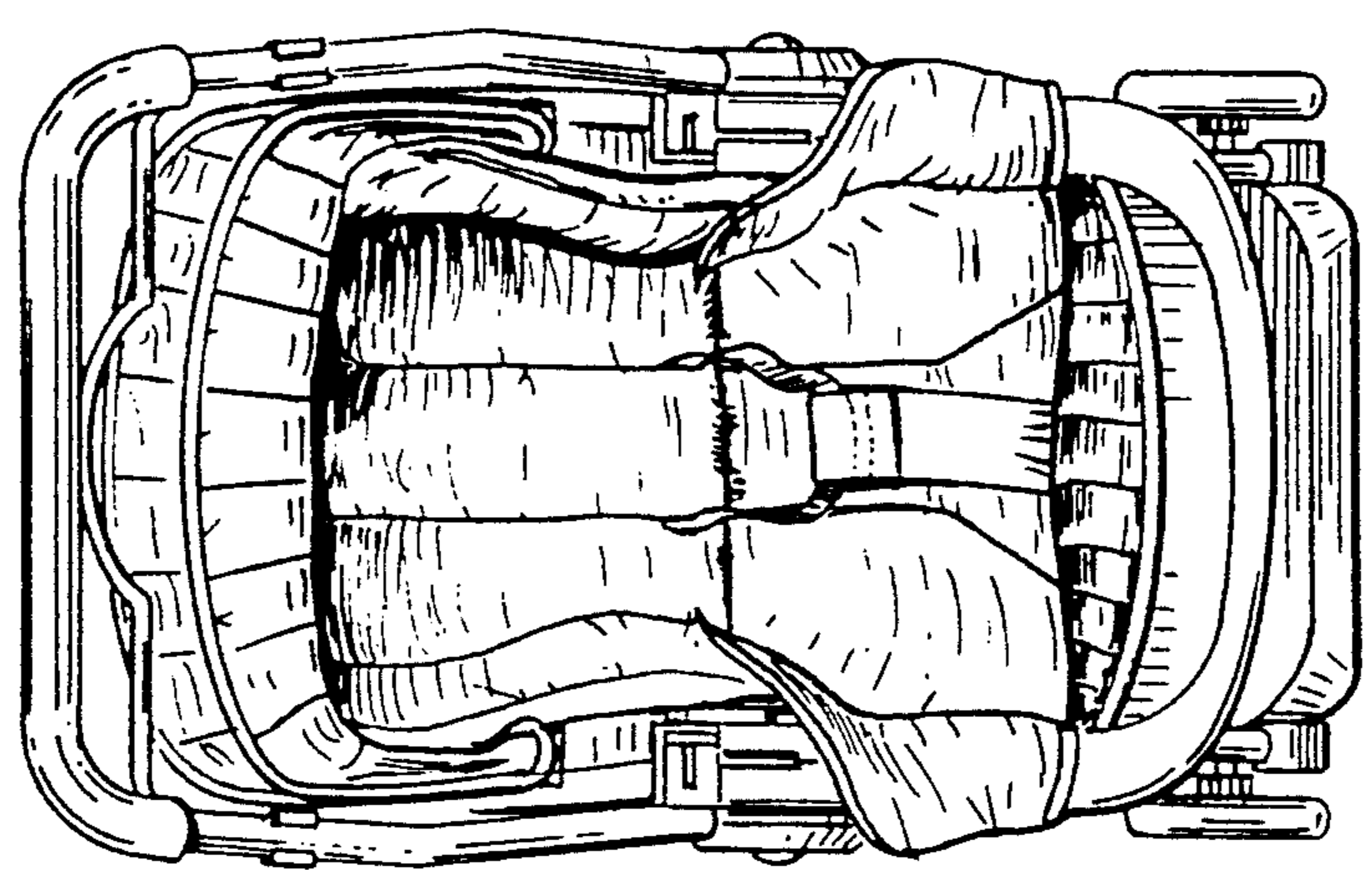
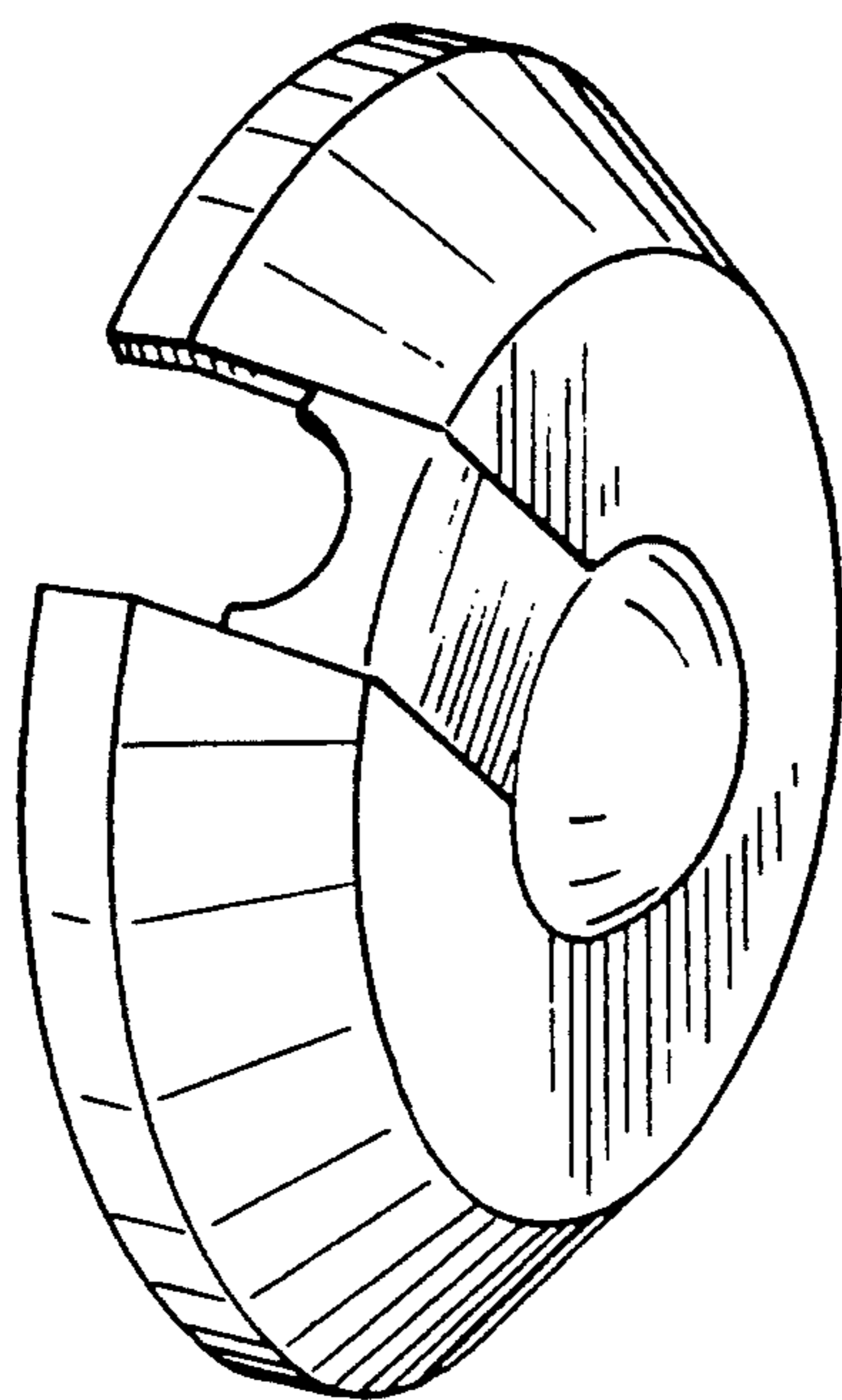
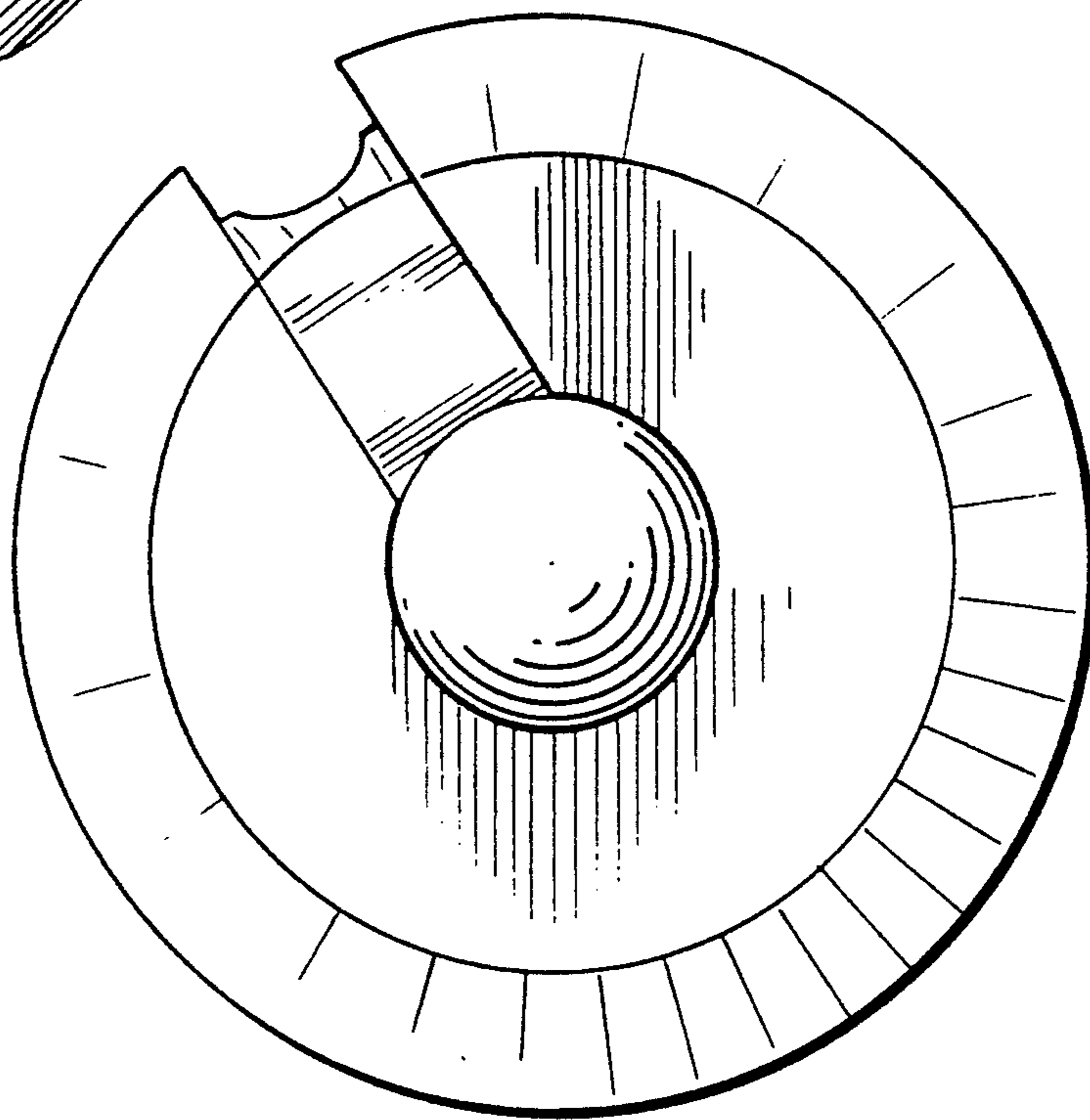


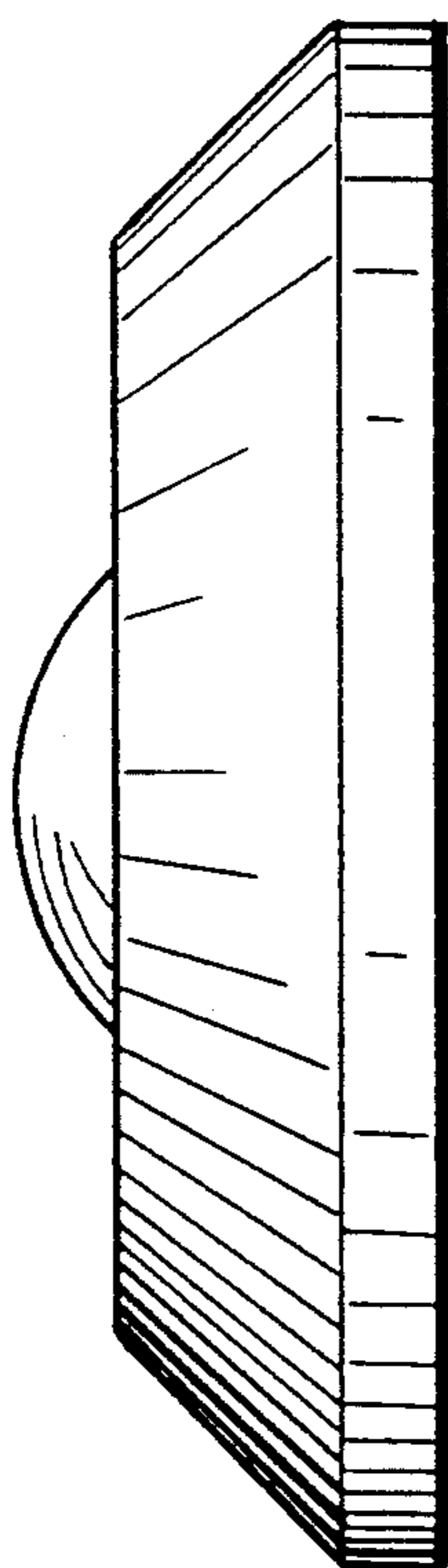
FIG. 8



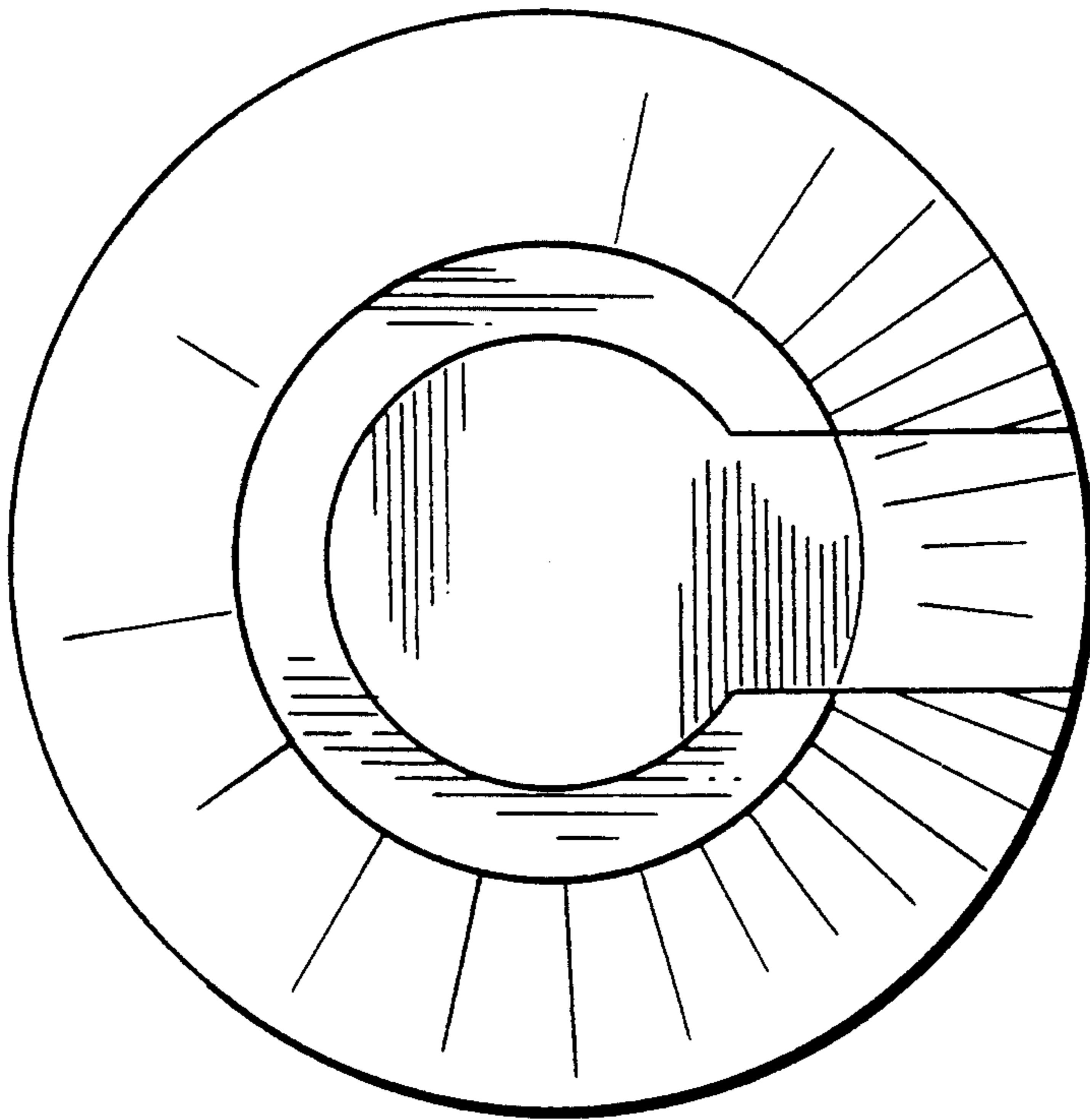
*FIG. 9*



*FIG. 10*



*FIG. 11*



*FIG. 12*



*FIG. 13*