



US00D341551S

United States Patent [19]

Jones

[11] Patent Number: **Des. 341,551**

[45] Date of Patent: **** Nov. 23, 1993**

[54] **FLAG DISPLAY AND STORAGE HOUSING**

[76] Inventor: **Terry R. Jones, 423 3rd Ave., Soap Lake, Wash. 98851**

[**] Term: **14 Years**

[21] Appl. No.: **827,815**

[22] Filed: **Jan. 28, 1992**

[52] U.S. Cl. **D11/166**

[58] Field of Search **D11/165, 166, 182; D6/324, 553; 116/173; 248/100, 157, 158, 163.1, 293, 511**

4,920,910 5/1990 Lin 116/173
4,972,794 11/1990 Smyly 116/173
5,005,512 4/1991 Fu 116/173

Primary Examiner—Bernard Ansher
Assistant Examiner—Dominic Simone
Attorney, Agent, or Firm—Terry M. Gernstein

[57] CLAIM

The ornamental design for a flag display and storage housing, as shown and described.

DESCRIPTION

FIG. 1 is a perspective view of the flag display and storage housing embodying the design of the present invention;

FIG. 2 is a front elevational view thereof;

FIG. 3 is a rear elevational view thereof;

FIG. 4 is a side elevational view thereof, the side opposite being a mirror image of the side shown in FIG. 4;

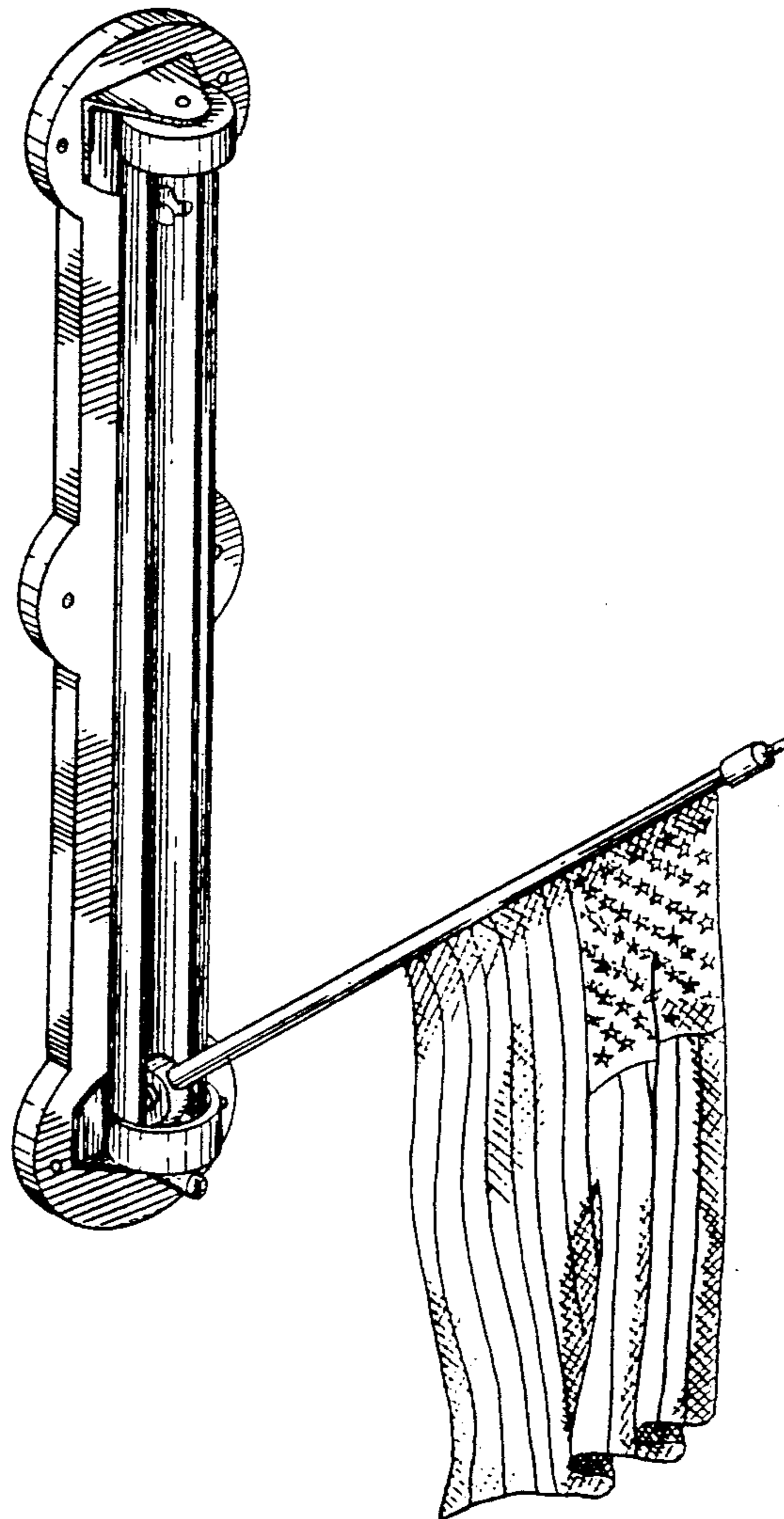
FIG. 5 is a top plan view thereof; and,

FIG. 6 is a bottom view thereof.

[56] References Cited

U.S. PATENT DOCUMENTS

D. 217,516	5/1970	Wells	D6/553
D. 292,897	11/1987	Restrepo	D11/182
D. 324,784	3/1992	Rose	D6/324
3,599,599	8/1971	Jones	116/173
4,028,827	6/1977	Hufton	116/173 X



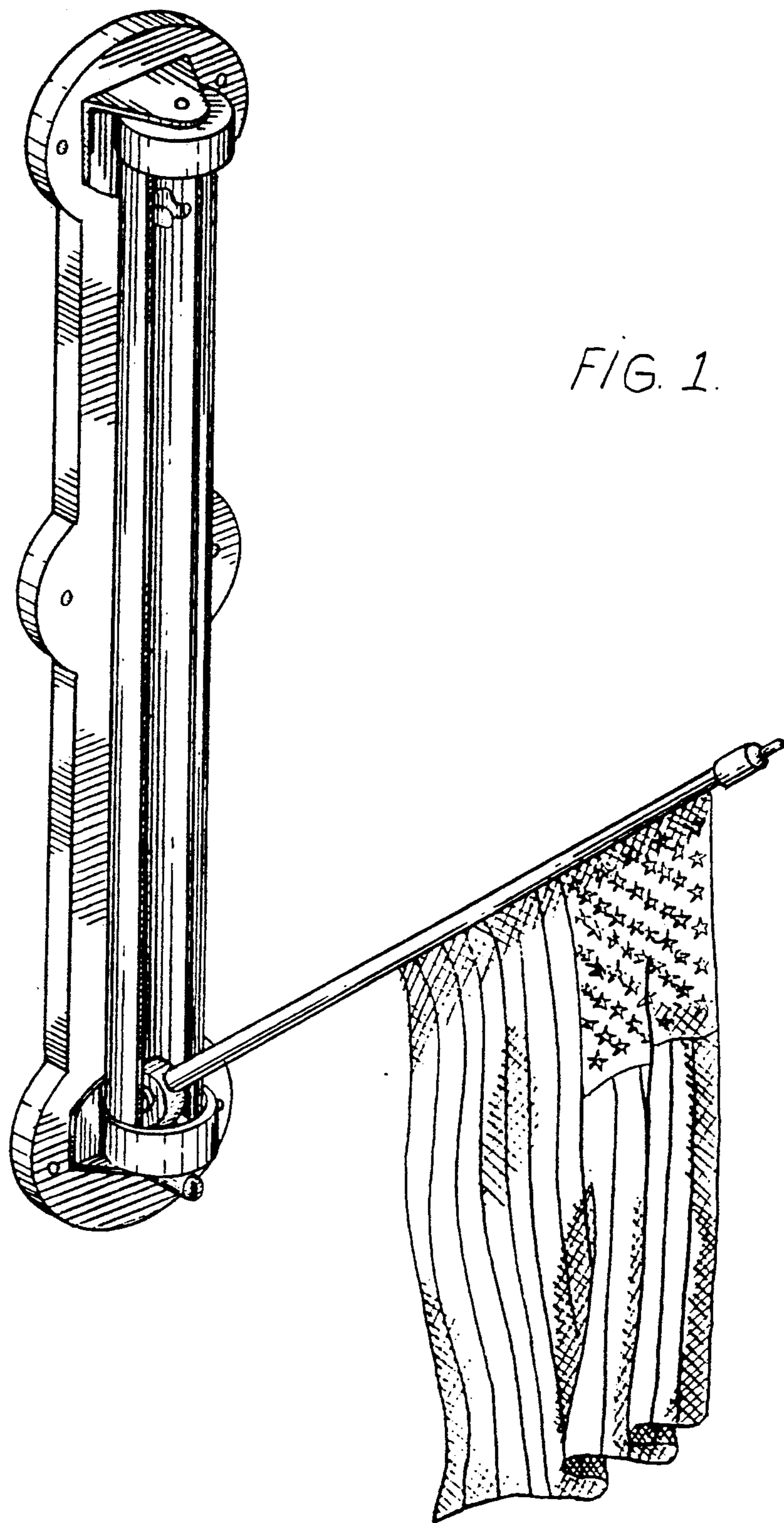
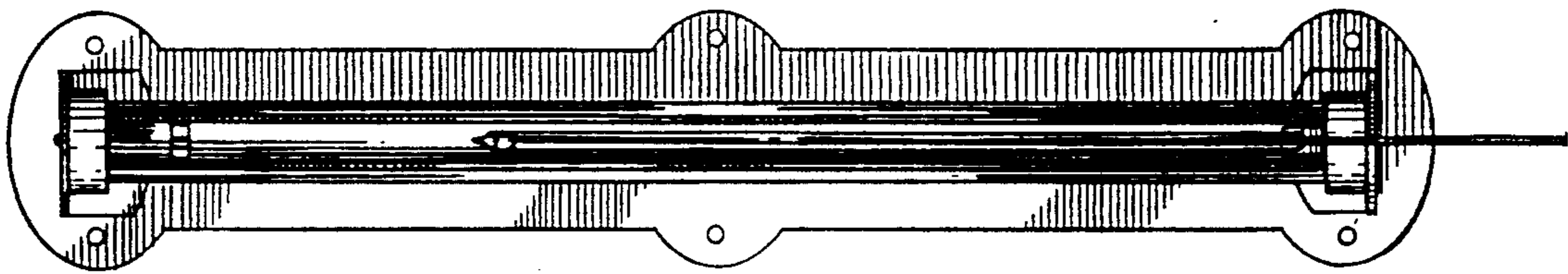
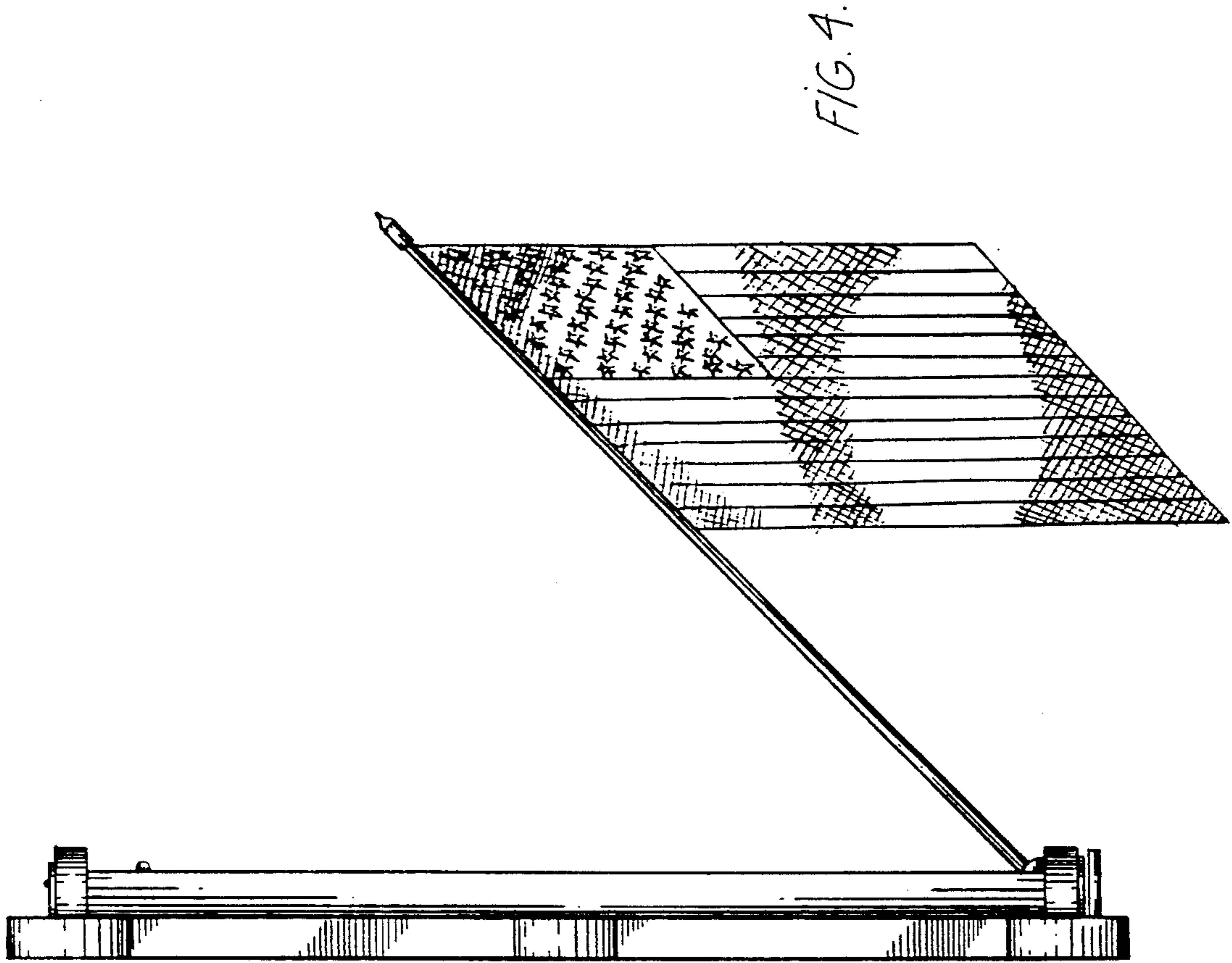


FIG. 1.



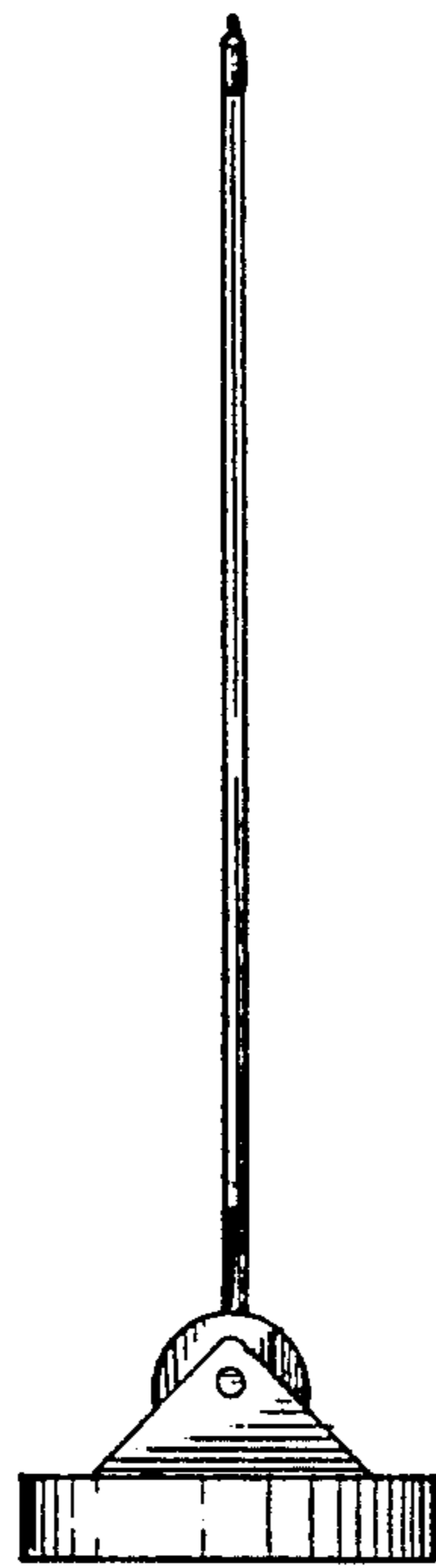


FIG. 5.

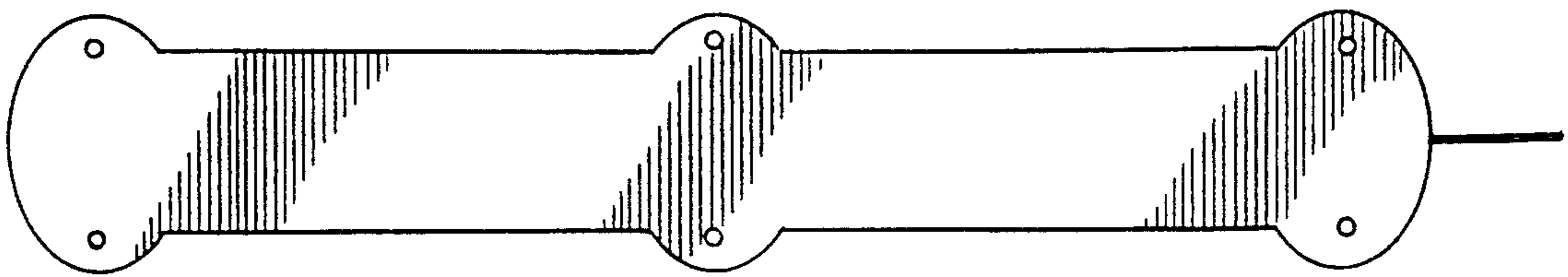


FIG. 3.

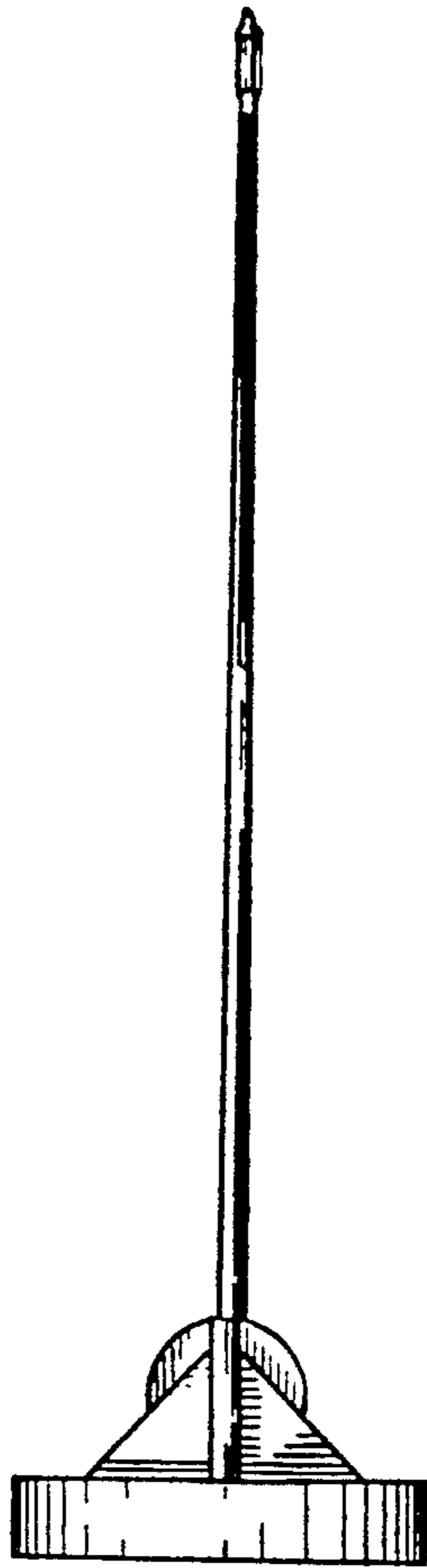


FIG. 6.