



US00D341545S

# United States Patent [19]

[11] Patent Number: **Des. 341,545**

**Killian**

[45] Date of Patent: **\*\* Nov. 23, 1993**

[54] **COMBINED TAPE MEASURE AND SHARPENER**

### FOREIGN PATENT DOCUMENTS

[76] Inventor: **Eric M. Killian**, 12 Borchard St., Rochester, N.Y. 14621

828917 9/1950 Fed. Rep. of Germany .  
15812242 4/1968 France .

[\*\*] Term: **14 Years**

*Primary Examiner*—Alan P. Douglas  
*Assistant Examiner*—Antoine D. Davis  
*Attorney, Agent, or Firm*—Terry M. Gernstein

[21] Appl. No.: **715,240**

### [57] CLAIM

[22] Filed: **Jun. 14, 1991**

The ornamental design for a combined tape measure and sharpener, as shown and described.

[52] U.S. Cl. .... **D10/72**

### DESCRIPTION

[58] Field of Search ..... **D10/72; 33/756-772**

### [56] References Cited

#### U.S. PATENT DOCUMENTS

- D. 182,165 2/1958 Caruso .
- D. 198,959 8/1964 Fulvio .
- D. 203,622 2/1966 Quenot .
- D. 286,861 11/1986 Hollinger .
- 2,055,281 9/1936 Dulczewski ..... D10/72 X

FIG. 1 is a perspective view of the combined tape measure and sharpener embodying the design of the present invention;

FIG. 2 is a front end elevational view thereof;

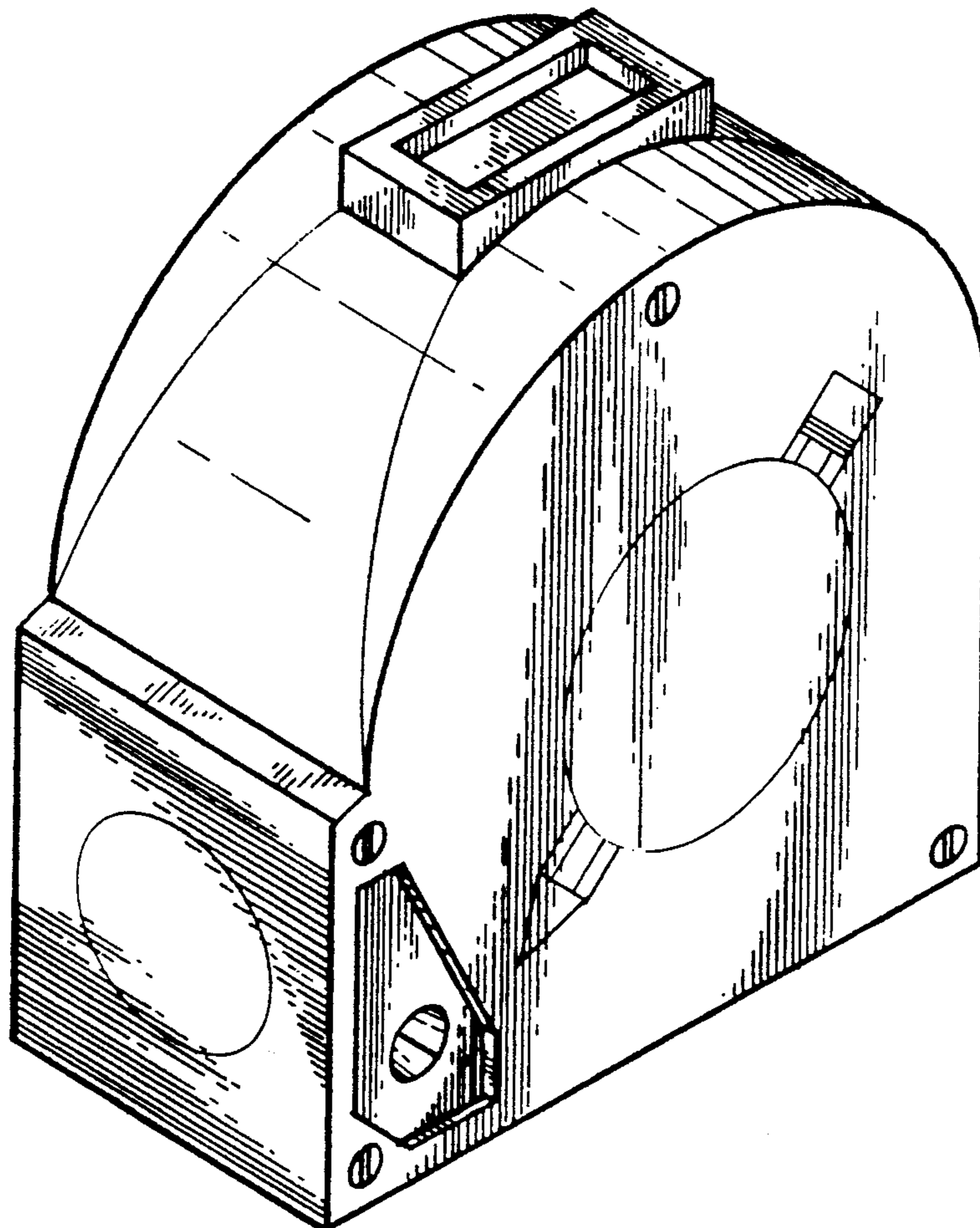
FIG. 3 is a rear end elevational view thereof;

FIG. 4 is a side elevational view thereof;

FIG. 5 is a side elevational view thereof;

FIG. 6 is a top plan view thereof; and,

FIG. 7 is a bottom view thereof.



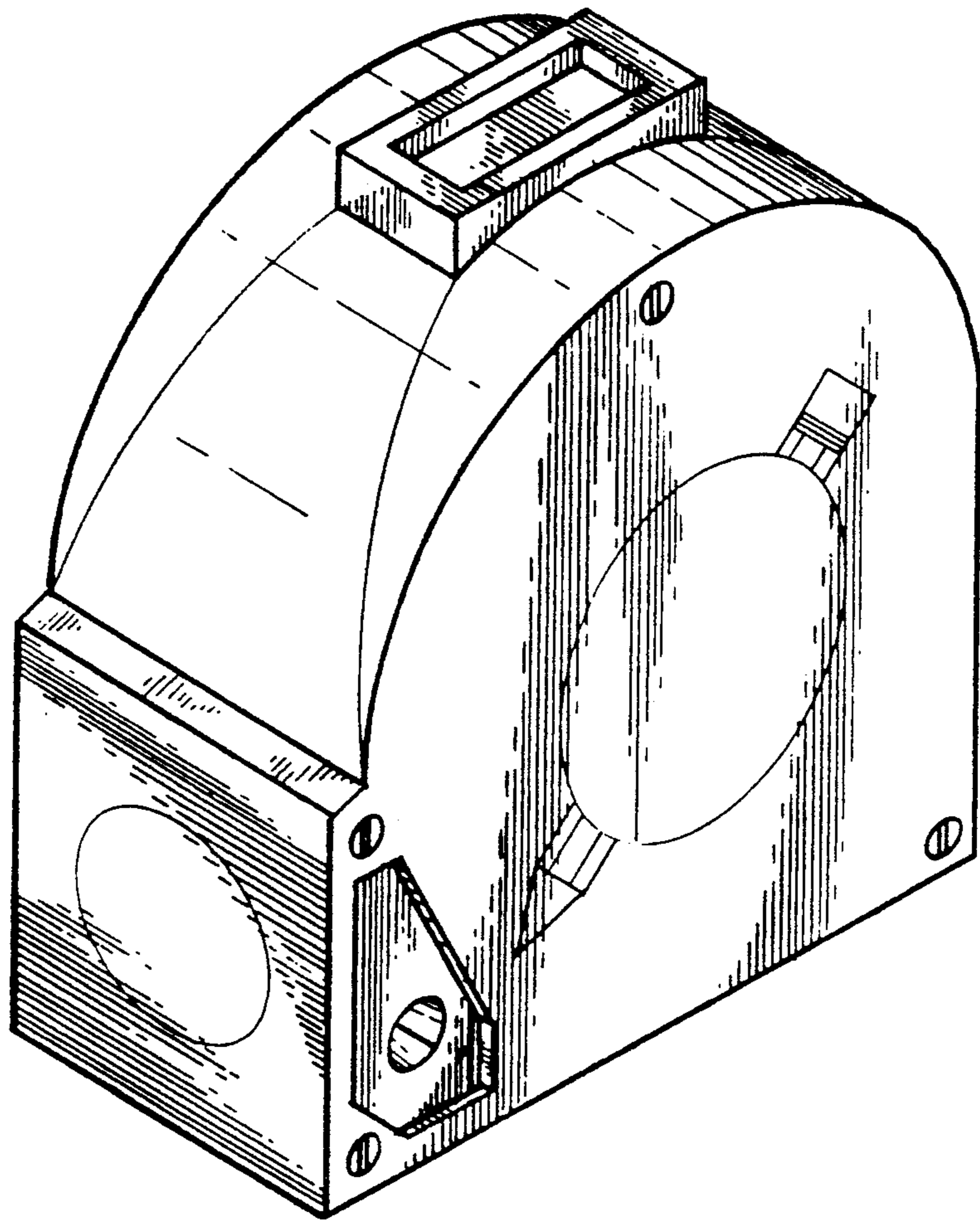


FIG. 1

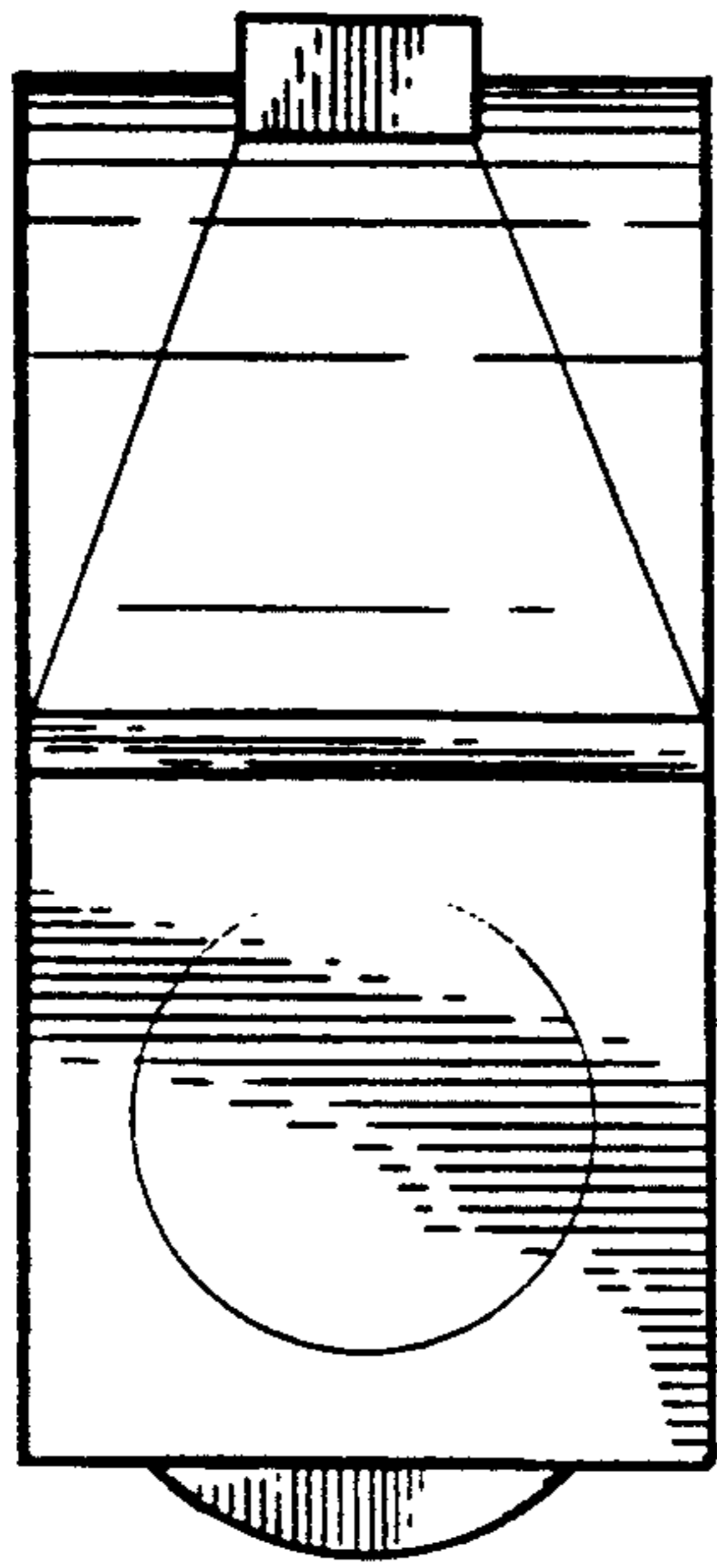


FIG. 2

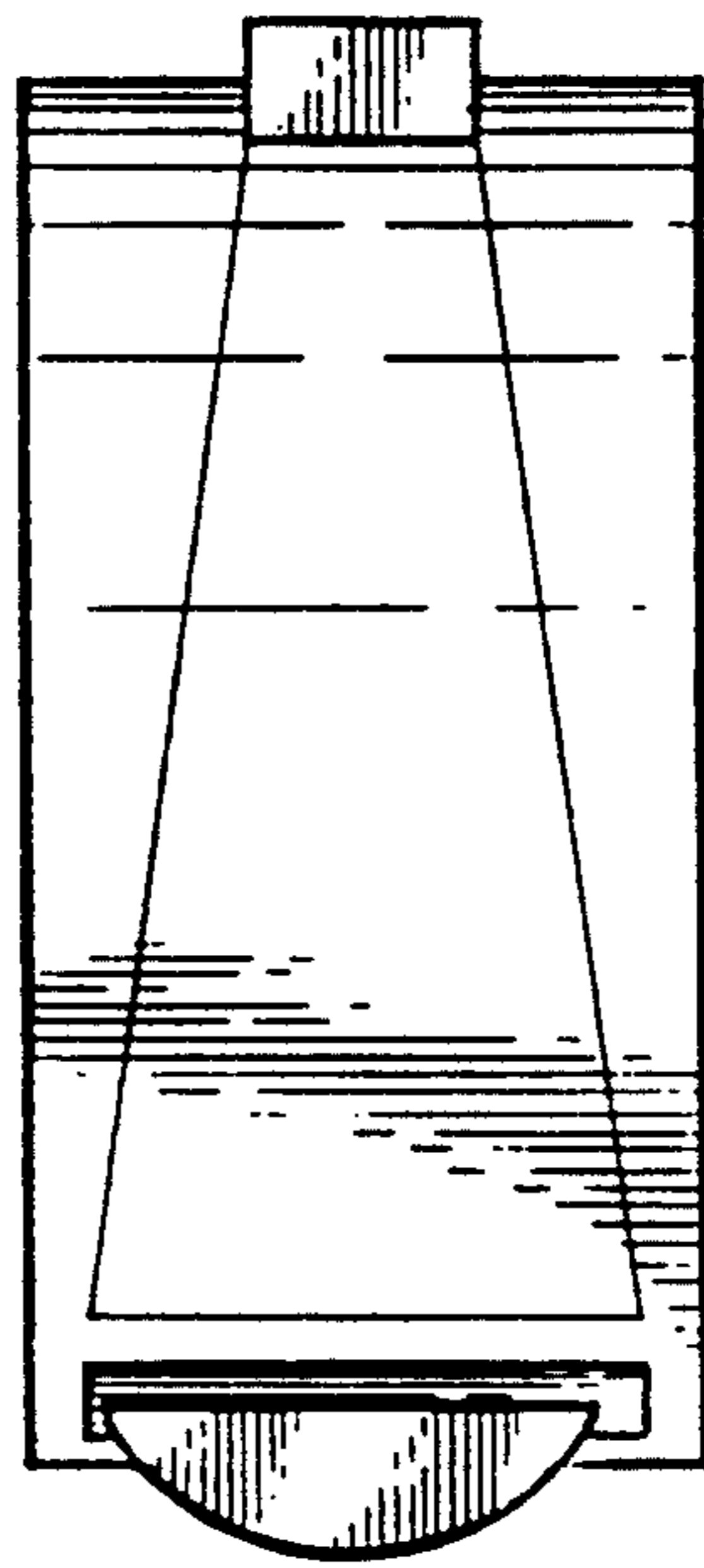


FIG. 3

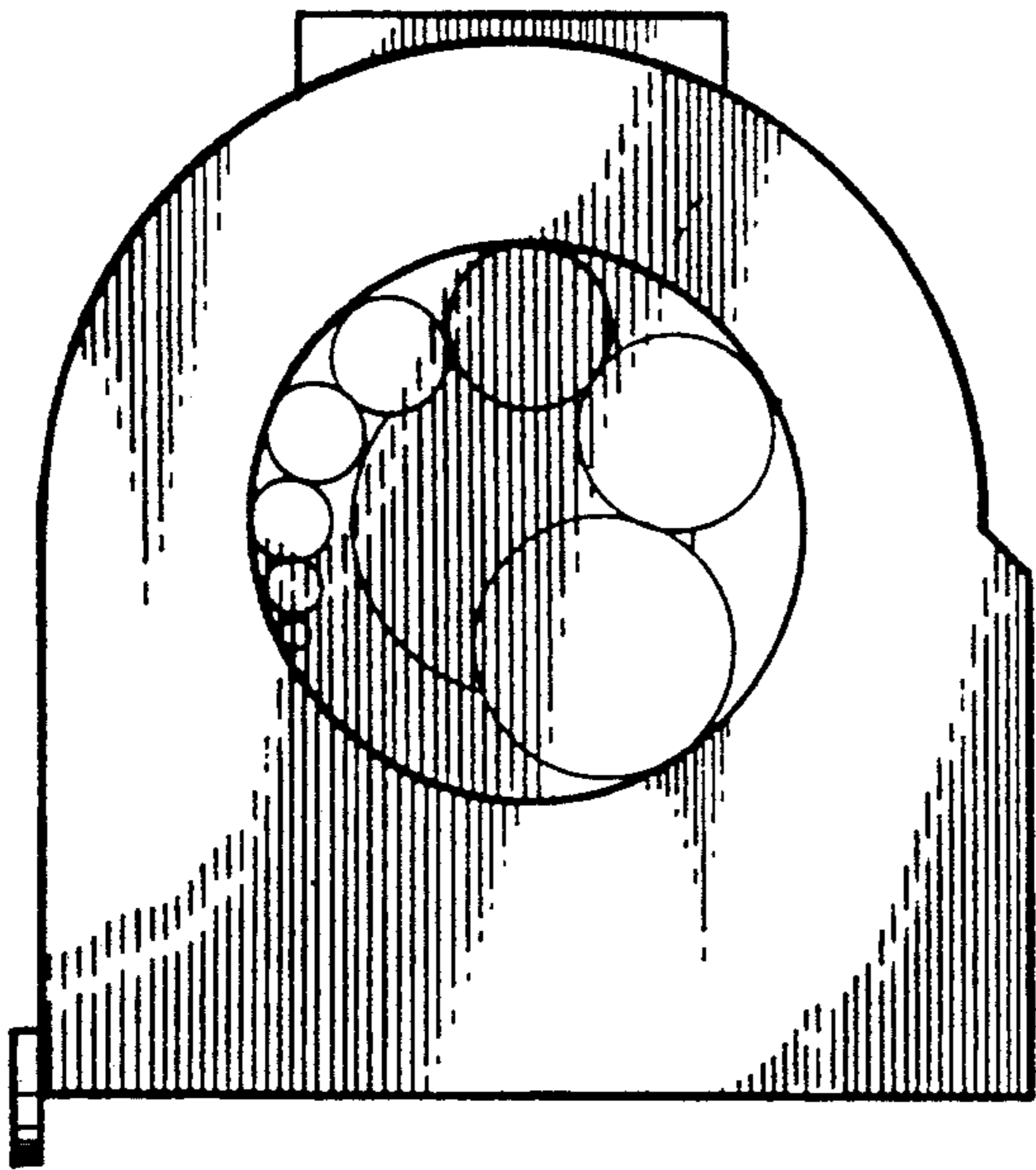


FIG. 4

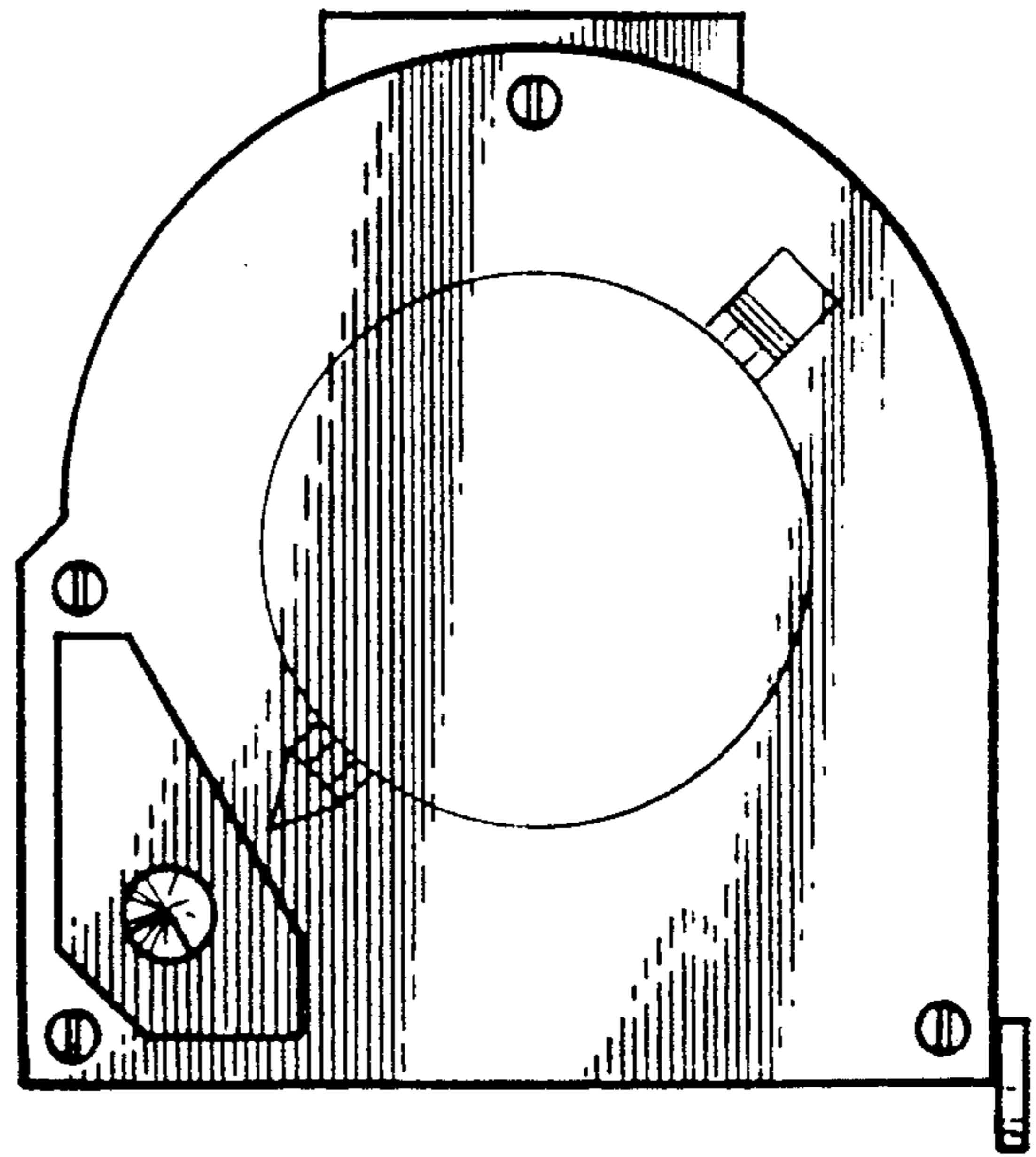


FIG. 5

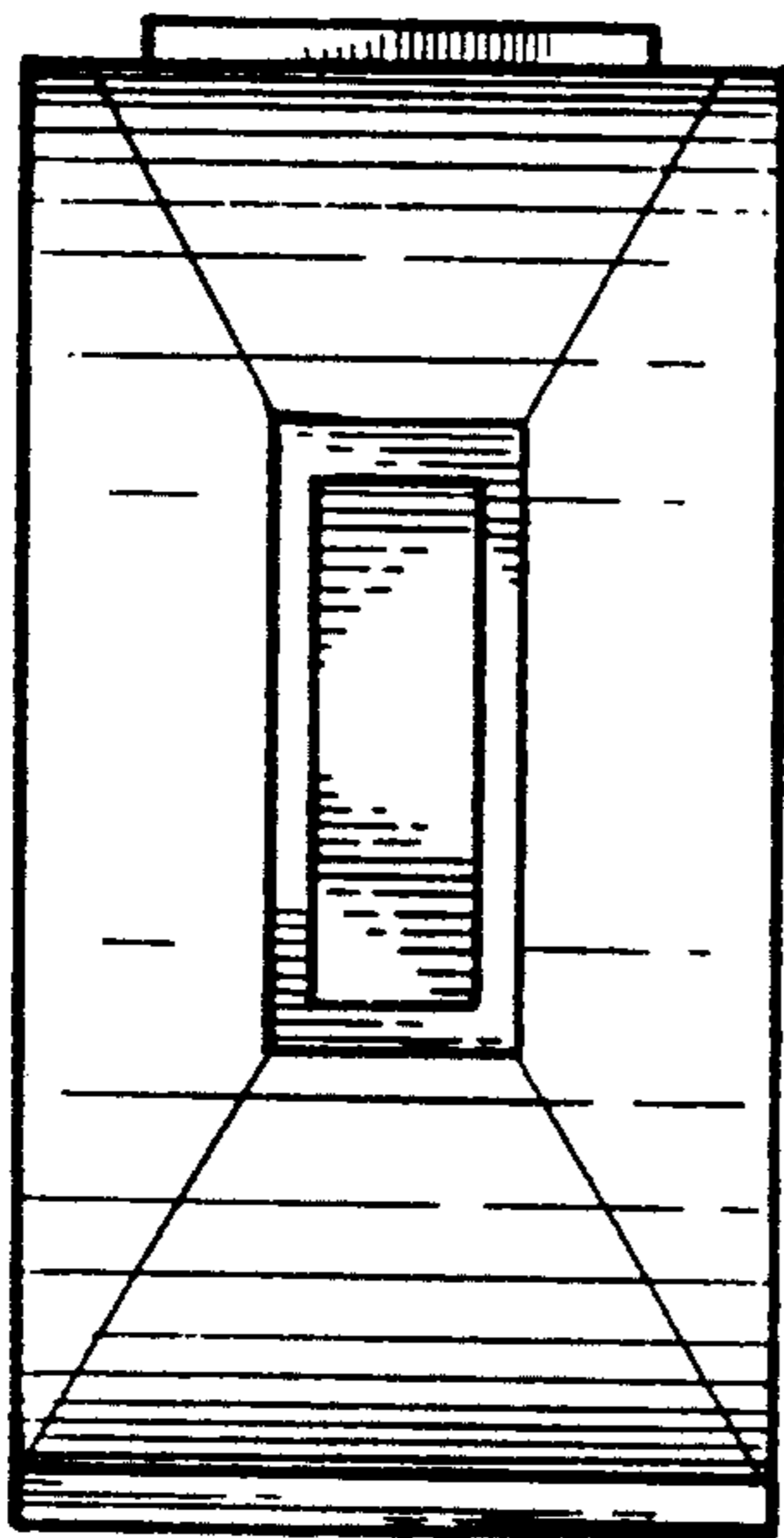


FIG. 6

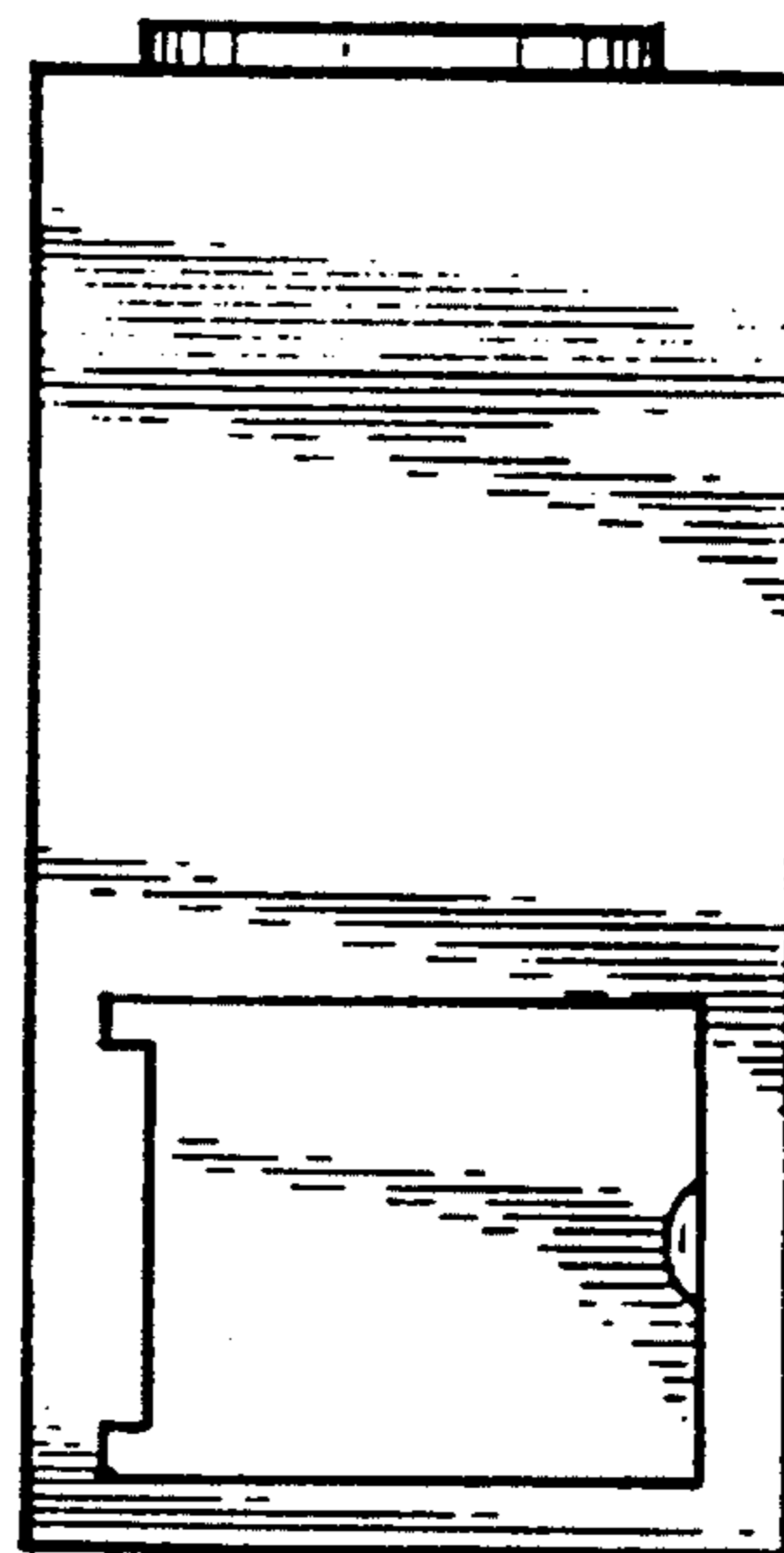


FIG. 7