



US00D341544S

United States Patent [19]
Zaslavsky

[11] **Patent Number: Des. 341,544**

[45] **Date of Patent: ** Nov. 23, 1993**

[54] **JEWELRY DOWNSIZER**

[76] **Inventor: Alexander Zaslavsky, 24112 Angela St., Lake Forest, Calif. 92630**

[**] **Term: 14 Years**

[21] **Appl. No.: 881,363**

[22] **Filed: May 7, 1992**

[52] **U.S. Cl. D10/64; D10/62**

[58] **Field of Search D10/62, 64; 33/501.09, 33/501.1, 501.2, 501.3, 501.4, 501.45; 7/164, 168, 169**

[56] **References Cited**

U.S. PATENT DOCUMENTS

D. 318,242 7/1991 Jackson, Sr. D10/64
1,810,166 6/1931 Gallimore 33/501.45

Primary Examiner—Alan P. Douglas
Assistant Examiner—A. D. Davis

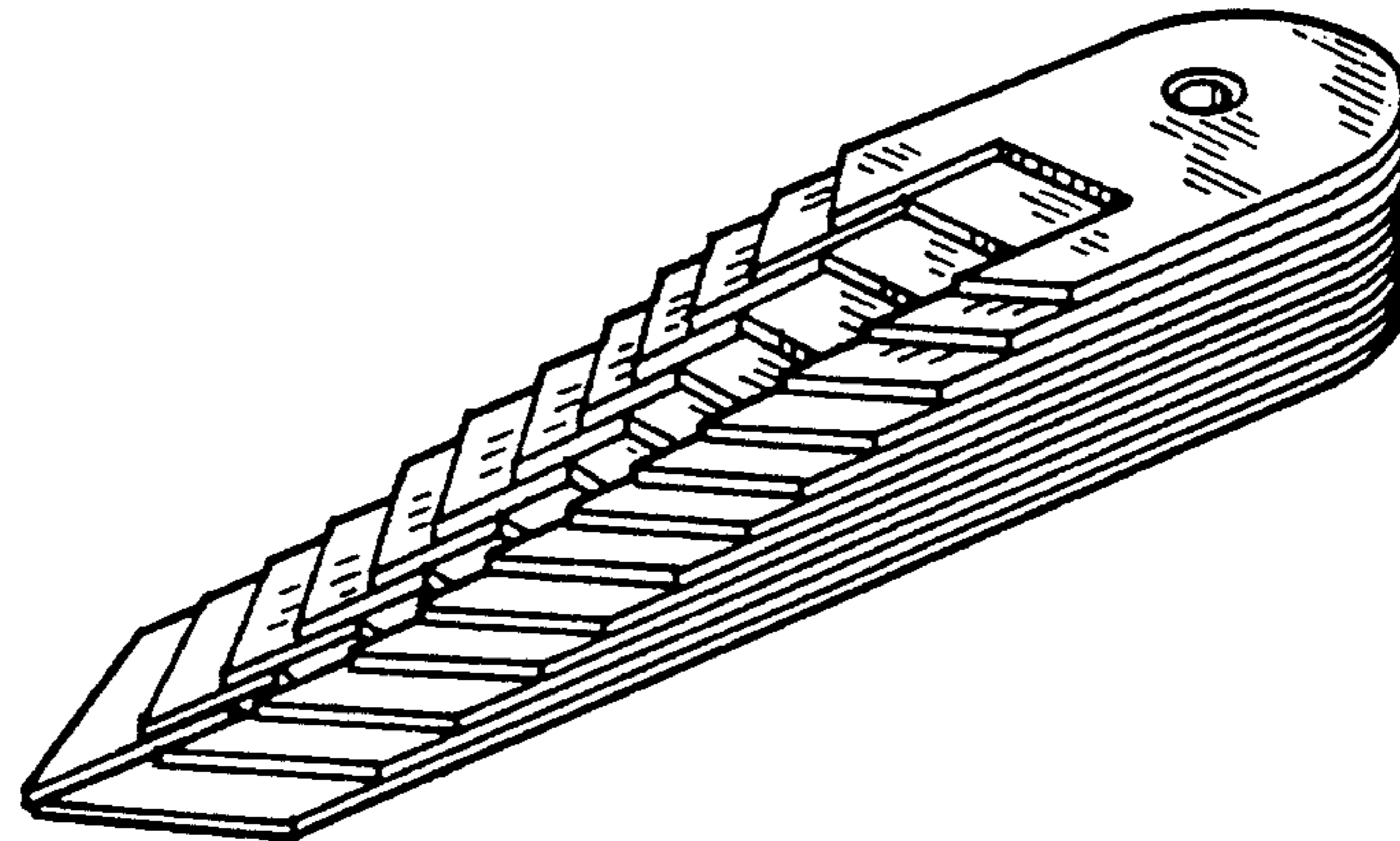
Attorney, Agent, or Firm—Kenneth L. Sherman

[57] **CLAIM**

The ornamental design for the jewelry downsizer, as shown and described.

DESCRIPTION

FIG. 1 is a front perspective view of a jewelry downsizer embodying my new design;
FIG. 2 is a top plan view of the embodied jewelry downsizer in FIG. 1 shown open;
FIG. 3 is a top plan view of the embodied jewelry downsizer in FIG. 1 shown closed;
FIG. 4 is a bottom plan view of the embodied jewelry downsizer;
FIG. 5 is a side elevational view of the embodied jewelry downsizer;
FIG. 6 is a front elevational view of the embodied jewelry downsizer; and,
FIG. 7 is a rear elevational view of the embodied jewelry downsizer.



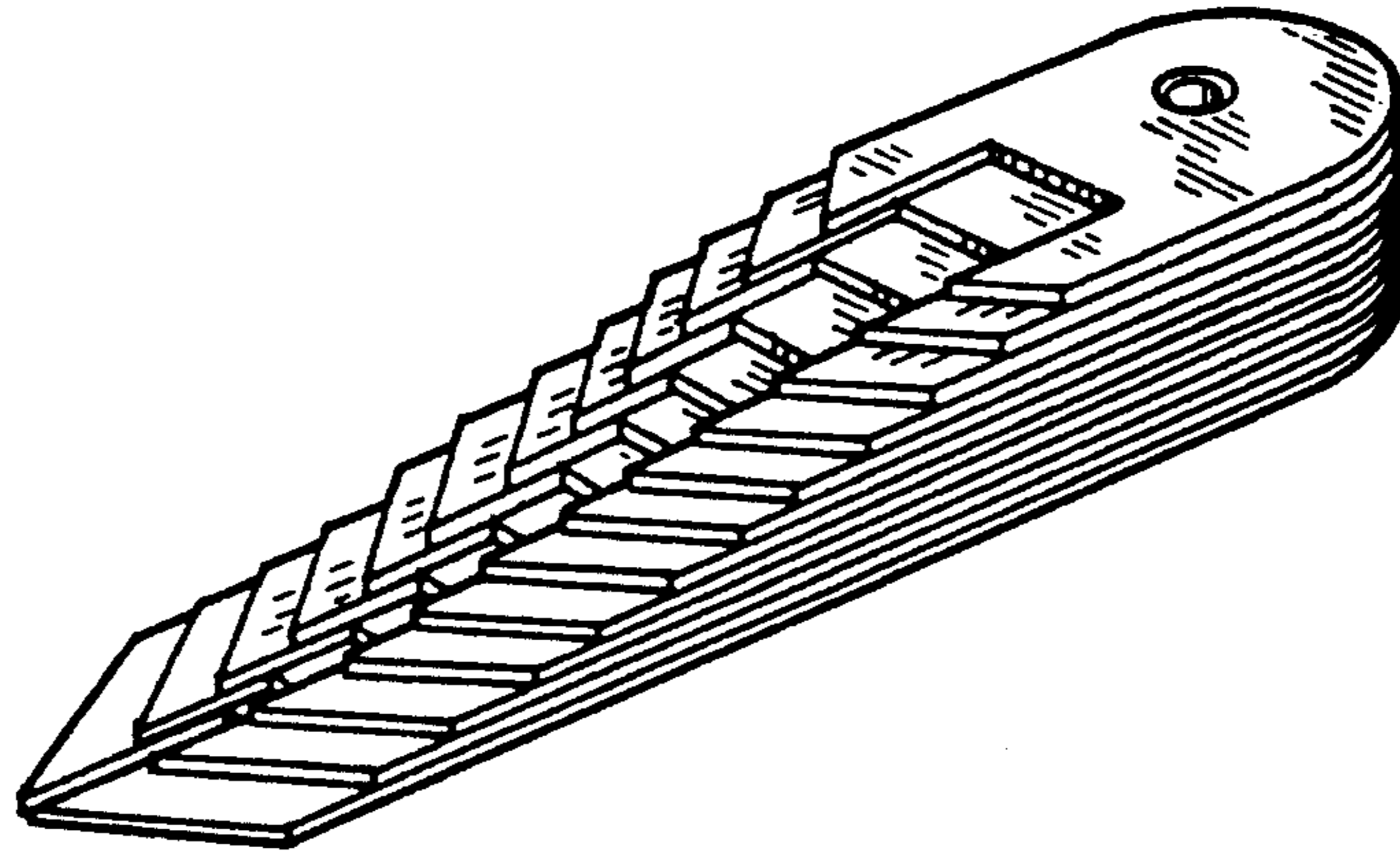


FIG. 1

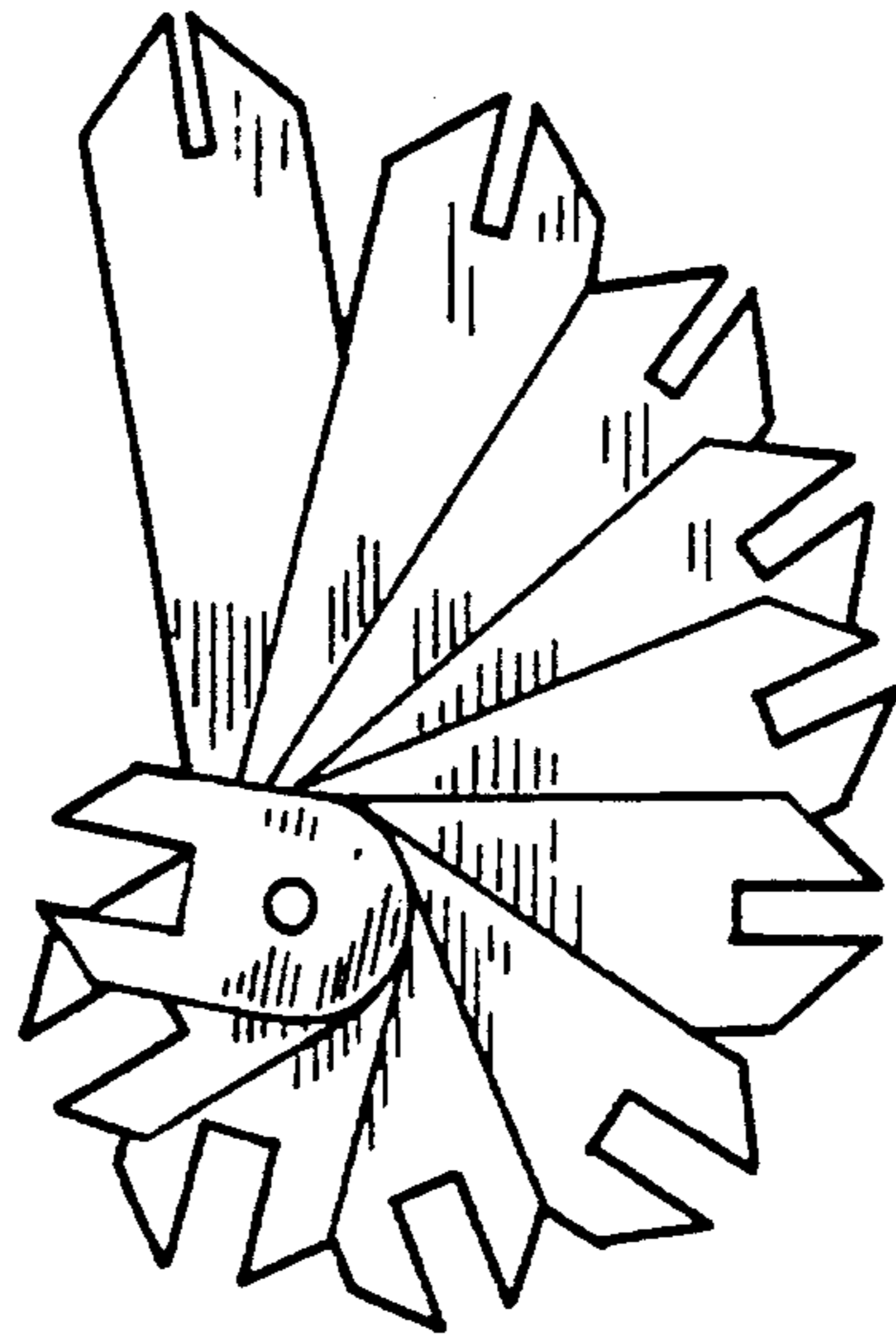


FIG. 2

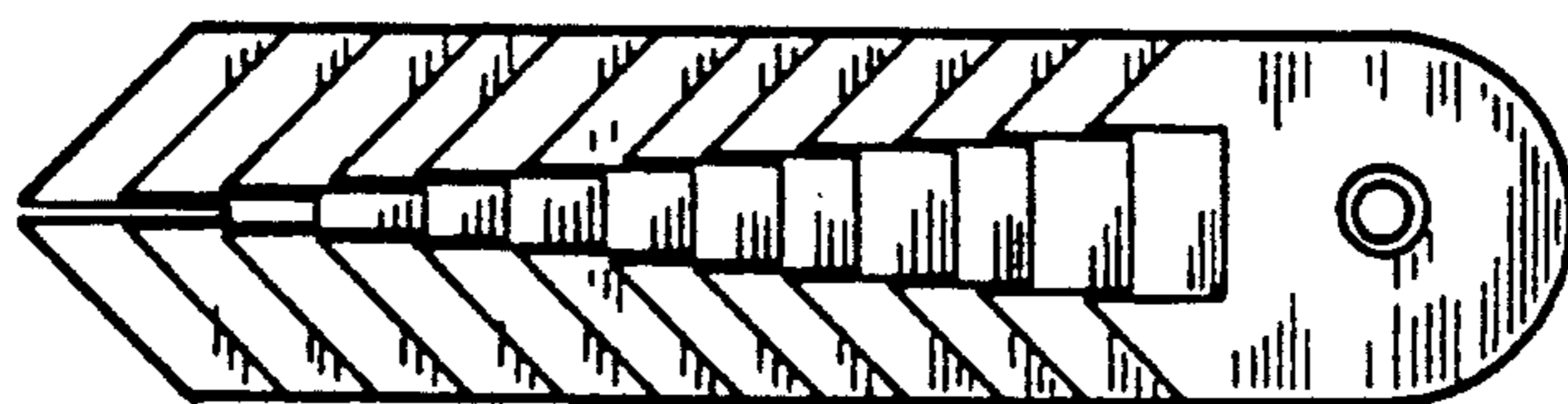


FIG. 3

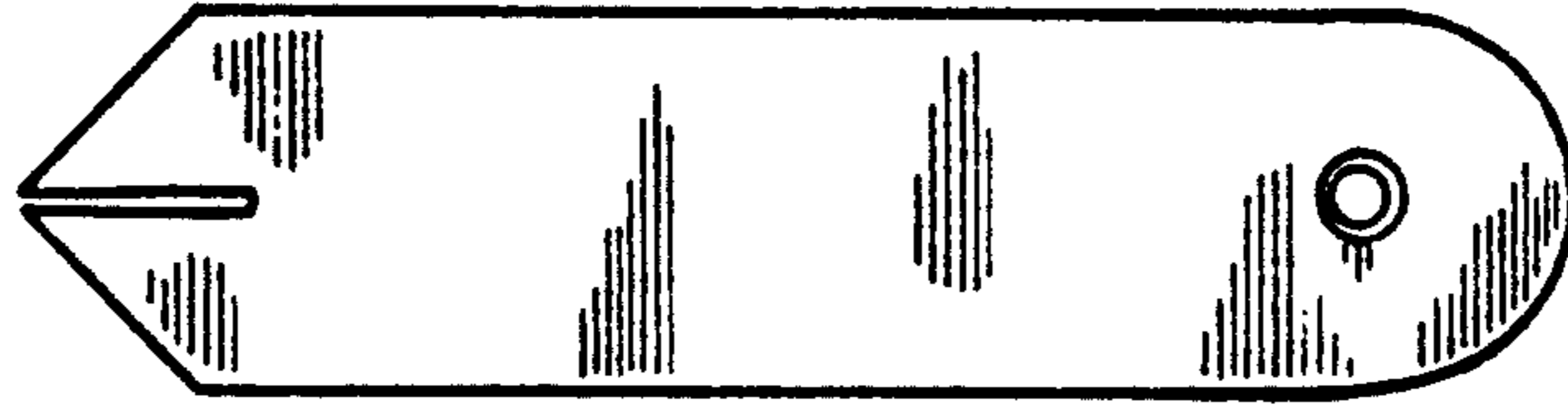


FIG. 4



FIG. 5



FIG. 6



FIG. 7