



US00D341543S

United States Patent [19]

[11] Patent Number: **Des. 341,543**

Michelotti et al.

[45] Date of Patent: **** Nov. 23, 1993**

[54] WRIST WATCH

[76] Inventors: **Eugenio Michelotti**, 49 Corso Garibaldi, Milano, Italy, 20121;
Gianni Mininni, 4 Via Pasquale Paoli, Milano, Italy, 20143

[**] Term: **14 Years**

[21] Appl. No.: **809,070**

[22] Filed: **Dec. 17, 1991**

[30] Foreign Application Priority Data

Jul. 9, 1991 [IT] Italy MI91 0 000519

[52] U.S. Cl. **D10/38; D10/125**

[58] Field of Search **D10/1-39, D10/122-126, 128, 129; 368/82-84, 280-282, 276-278, 322-323, 328**

[56] References Cited

U.S. PATENT DOCUMENTS

- D. 54,111 11/1919 McMillan D10/126
- D. 83,573 3/1931 Schisgall D10/125
- D. 102,150 12/1936 Stein et al. D10/33
- D. 282,913 3/1986 Stevens D10/33

FOREIGN PATENT DOCUMENTS

- 0428981 5/1991 European Pat. Off. 368/240
- 0245184 10/1987 Japan D10/38 X
- 0241377 10/1988 Japan 368/232

Primary Examiner—Nelson C. Holtje
Assistant Examiner—Martha Thompson
Attorney, Agent, or Firm—Darby & Darby

[57] CLAIM

The ornamental design for a wrist watch, as shown as described.

DESCRIPTION

FIG. 1 is a front perspective view of a wrist watch showing our new design;
FIG. 2 is a front elevational view thereof;
FIG. 3 is a rear elevational view thereof;
FIG. 4 is a right side elevational view;
FIG. 5 is a left side elevational view; and,
FIG. 6 is a bottom plan view thereof, the top plan view being a mirror image.

The fragmentary watchband portions in FIGS. 1 through 5 have been depicted by means of broken lines for environmental purposes only and form no part of the claimed design.

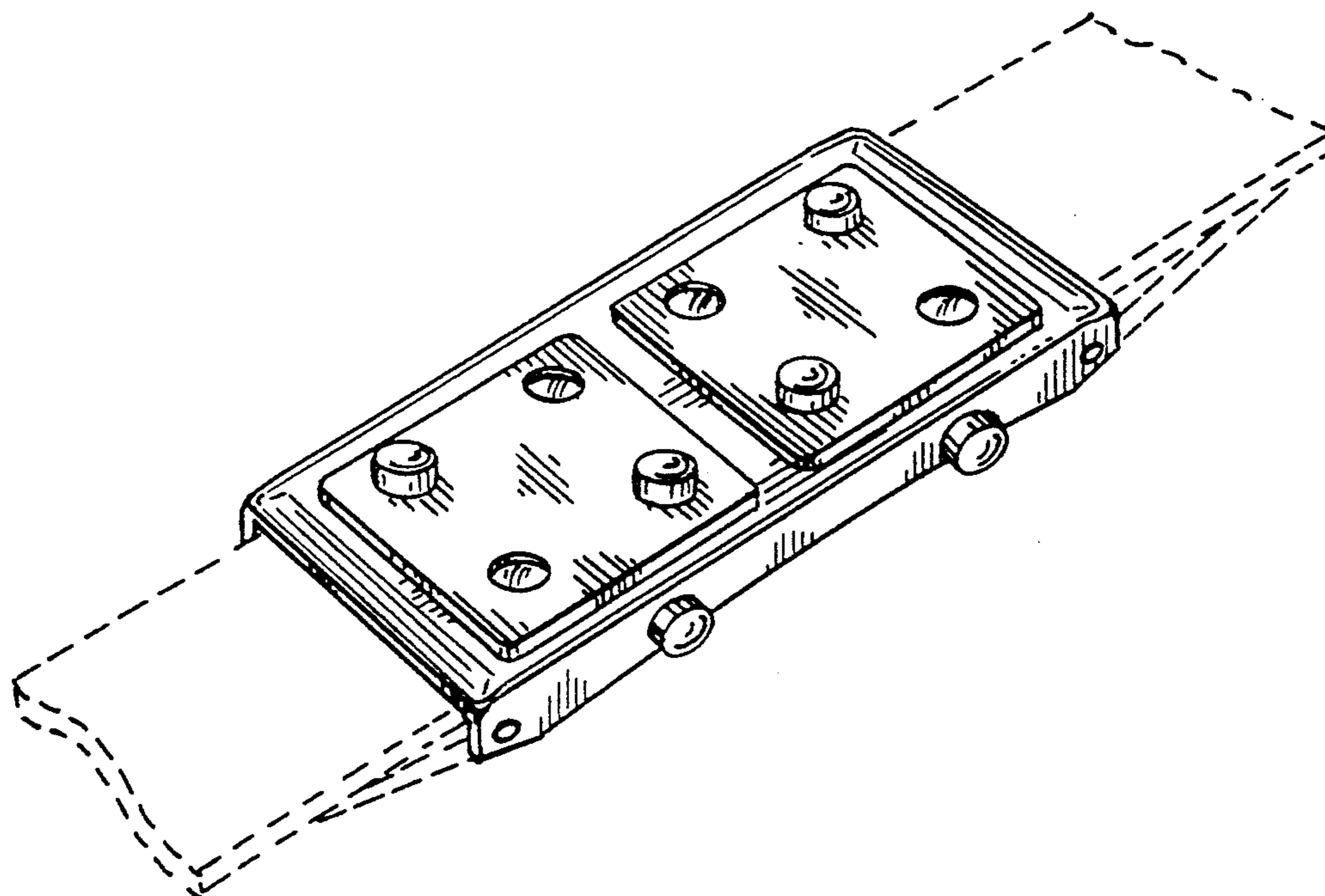


FIG. 1

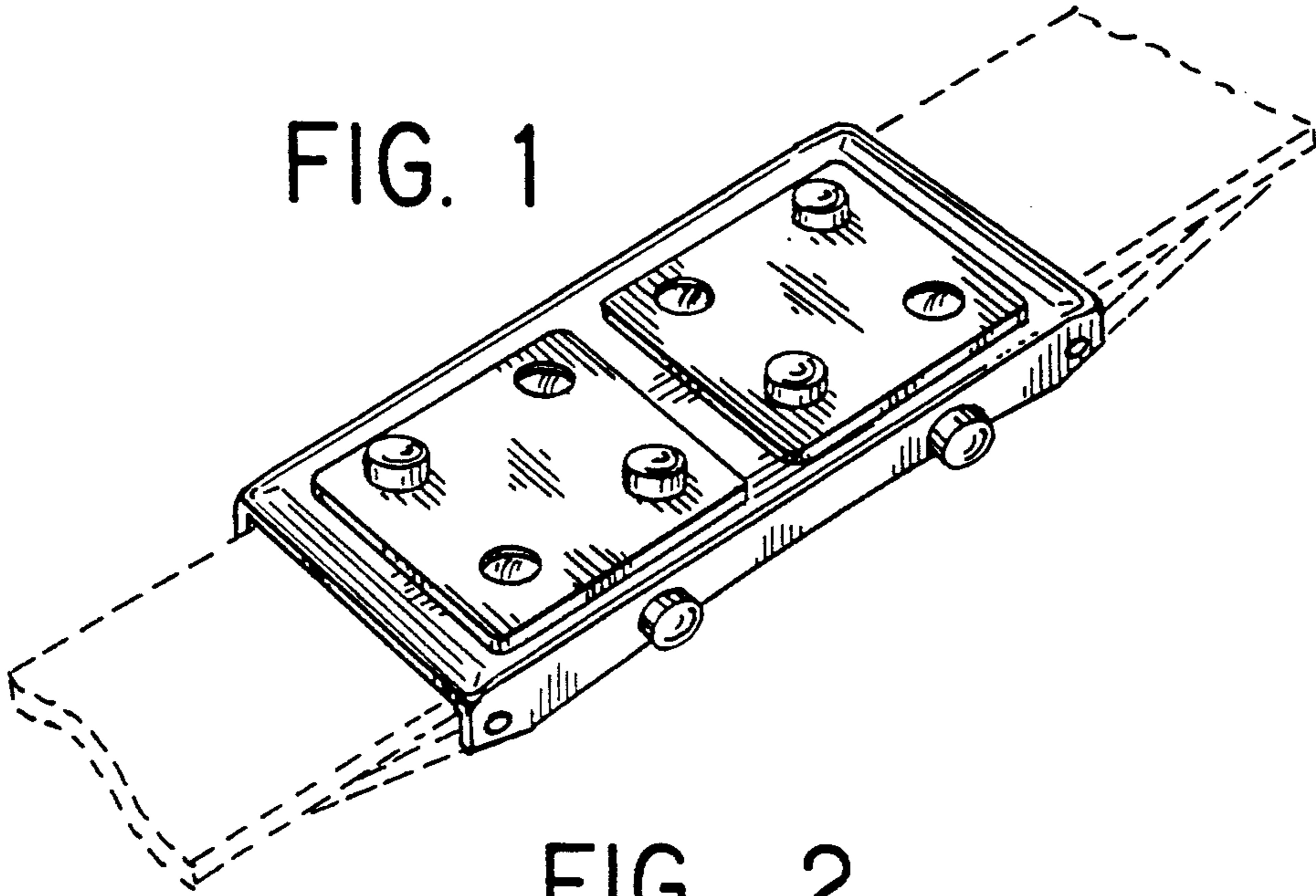


FIG. 2

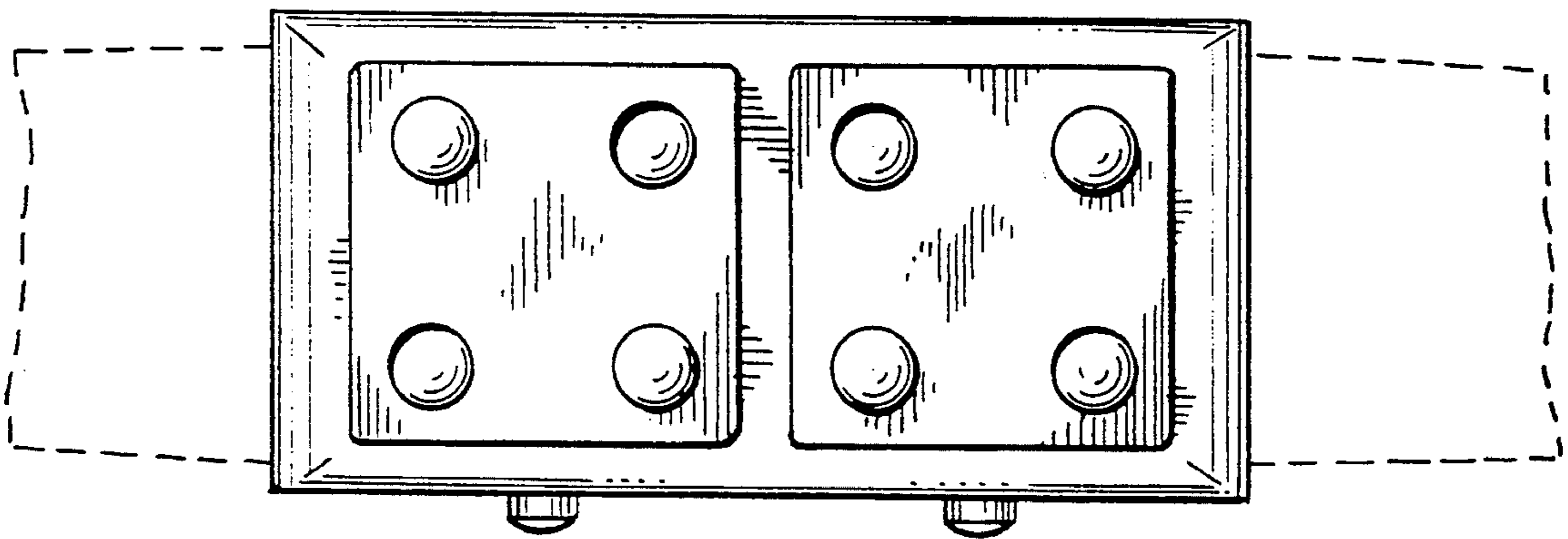


FIG. 3

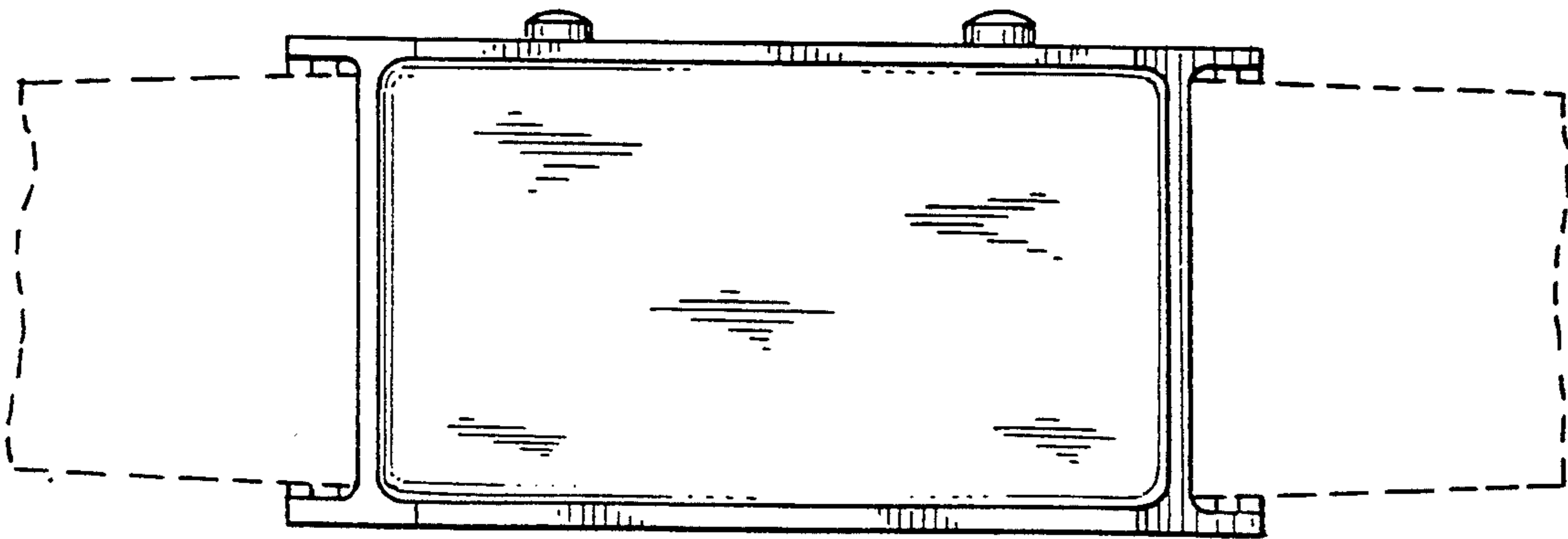


FIG. 4

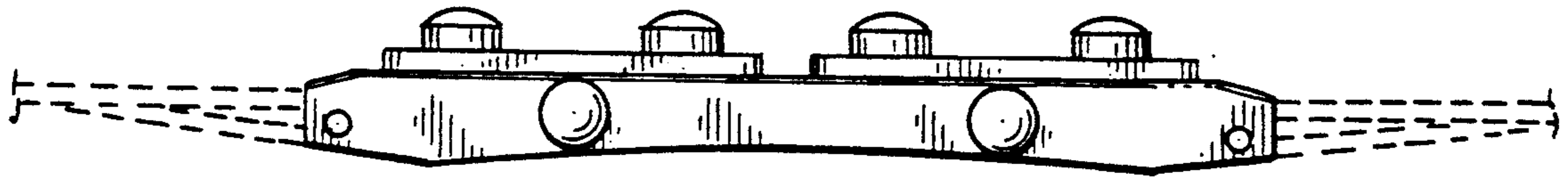


FIG. 5

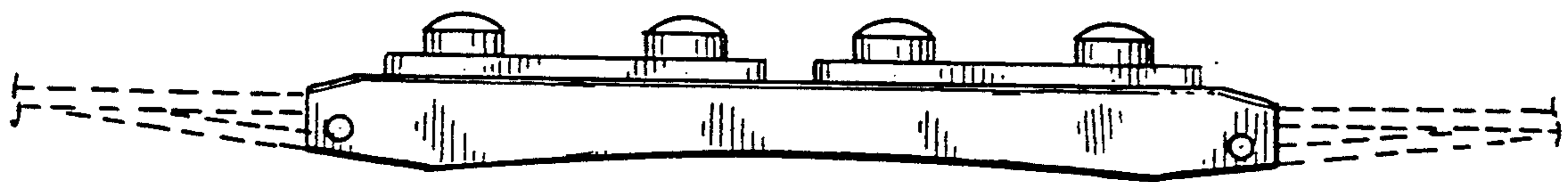


FIG. 6

