



US00D341542S

United States Patent [19]

[11] Patent Number: **Des. 341,542**

Wild et al.

[45] Date of Patent: **** Nov. 23, 1993**

[54] **HOT TUB WATER CONTROL SYSTEM**

D. 317,579 6/1991 Shalvi D10/53 X
4,147,976 4/1979 Wang 73/1 R X
5,152,610 10/1992 Hallett 374/156

[76] Inventors: **Johnny B. Wild**, 1854 Portland, Memphis, Tenn. 38127; **William T. Stuart**, 7209 Amsted Cove, Memphis, Tenn. 38133

Primary Examiner—Alan P. Douglas
Assistant Examiner—Antoine D. Davis
Attorney, Agent, or Firm—Leon Gilden

[**] Term: **14 Years**

[57] **CLAIM**

[21] Appl. No.: **706,105**

The ornamental design for a hot tub water control system, as shown and described.

[22] Filed: **May 28, 1991**

[52] U.S. Cl. **D10/49**

DESCRIPTION

[58] Field of Search D10/46, 49, 50, 51, D10/52, 53; 236/20 R, 20 A, 21 R, 21 B, 22, 23, 24, 24.5, 25, 25 A, 32, 33, 44 C, 94, DIG. 8; 374/100, 135, 141, 142, 156, 157, 208

FIG. 1 is a front elevational view of the hot tub water control system showing my new design; FIG. 2 is a rear elevational view thereof; FIG. 3 is a left side elevational view thereof; FIG. 4 is a right side elevational view thereof; FIG. 5 is a top plan view thereof; FIG. 6 is a bottom plan view thereof; and, FIG. 7 is a perspective view thereof.

[56] **References Cited**

U.S. PATENT DOCUMENTS

D. 315,315 3/1991 Stairs, Jr. D10/50

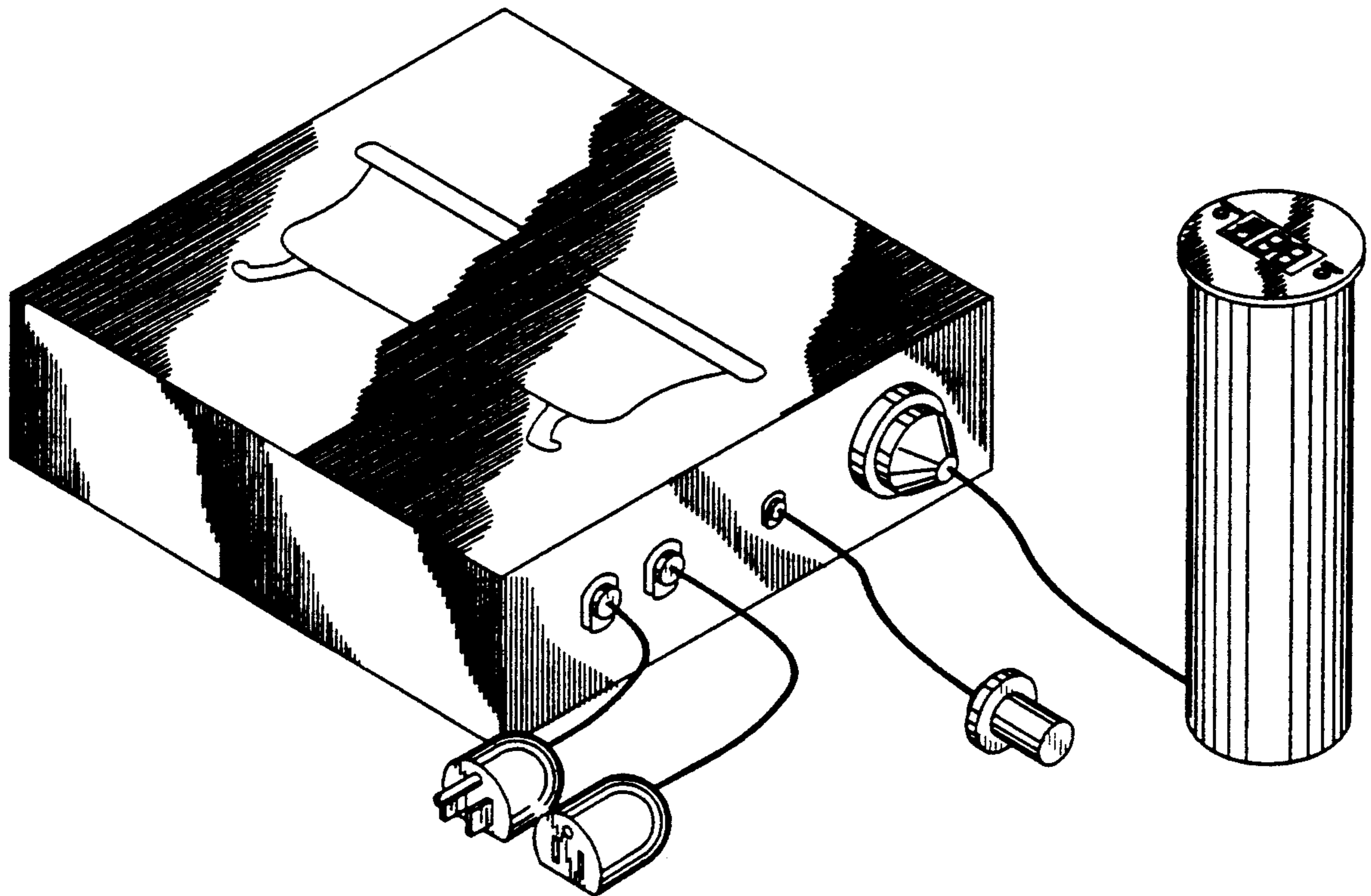


FIG. 1

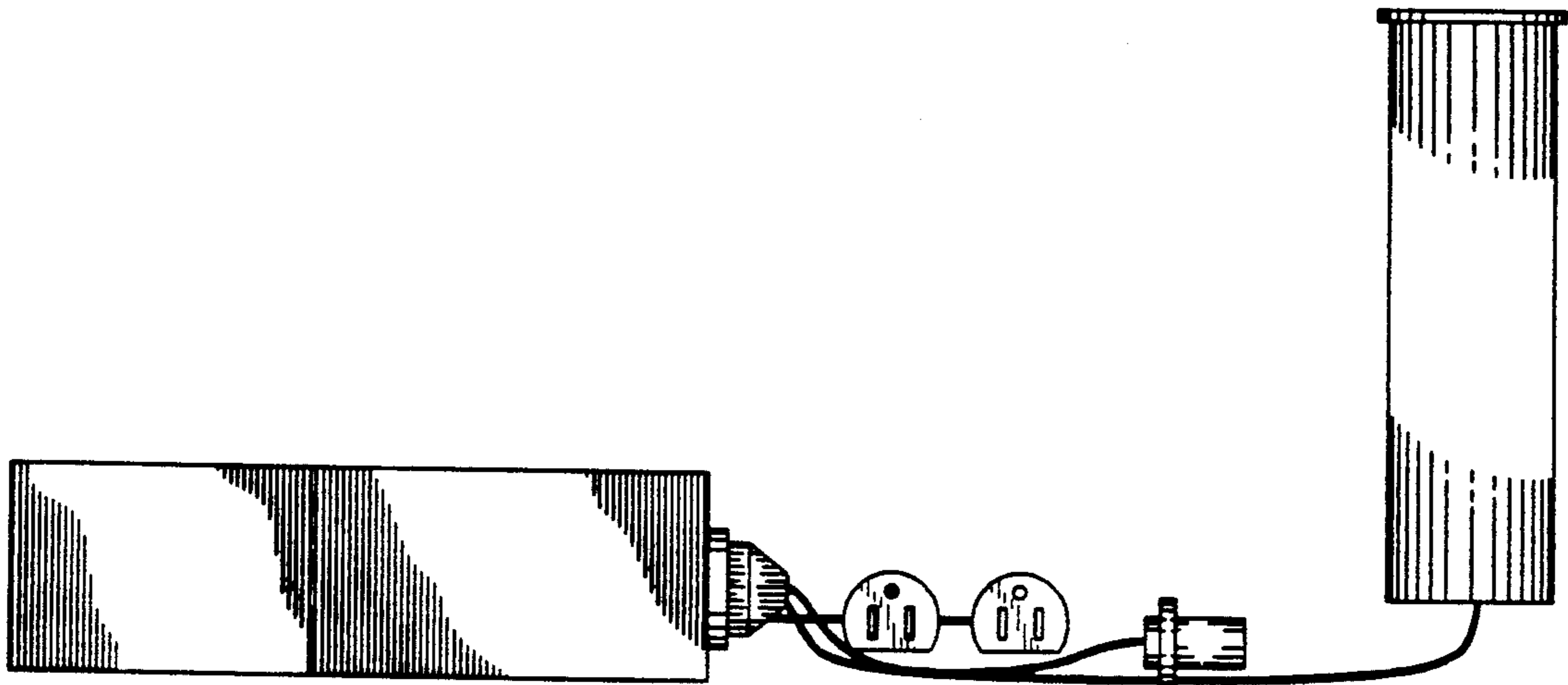


FIG. 2

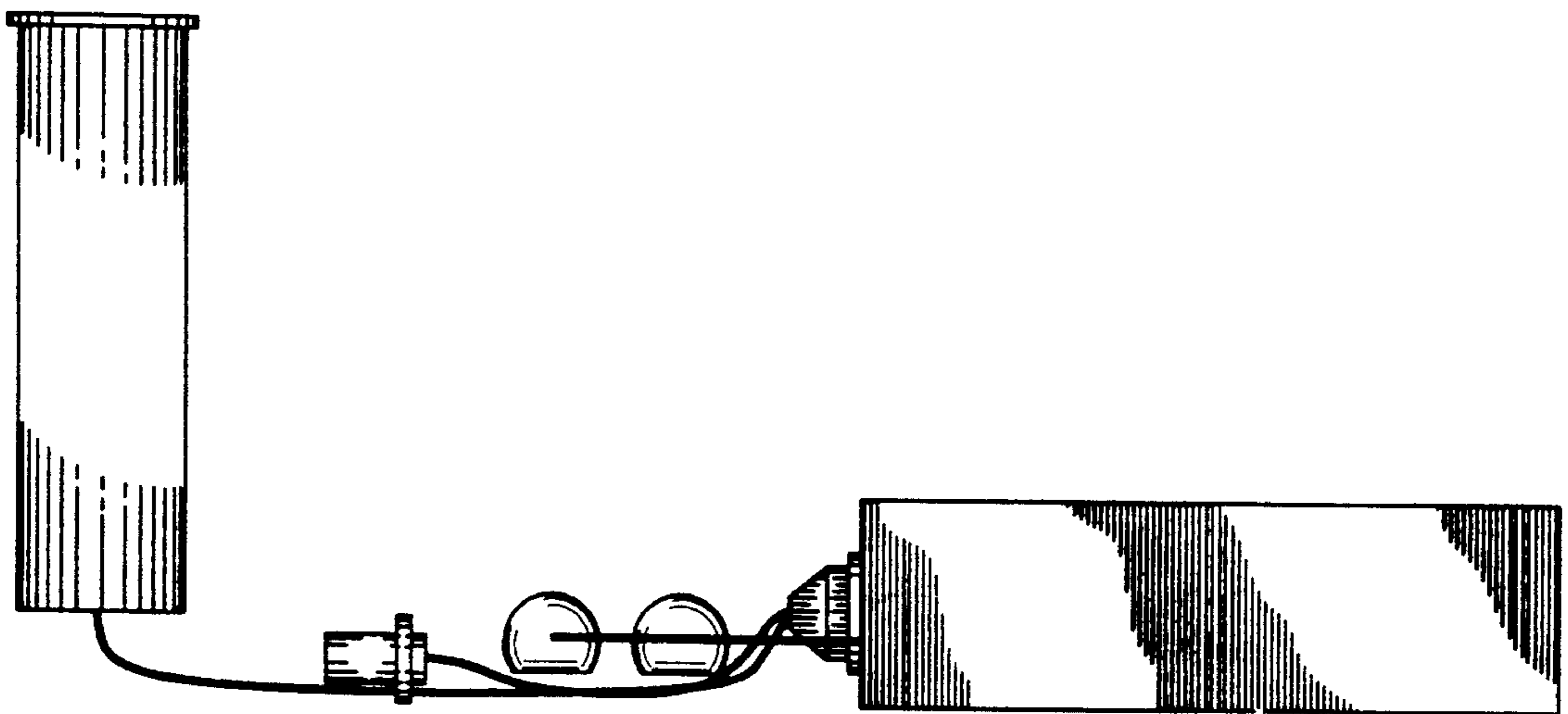


FIG. 3

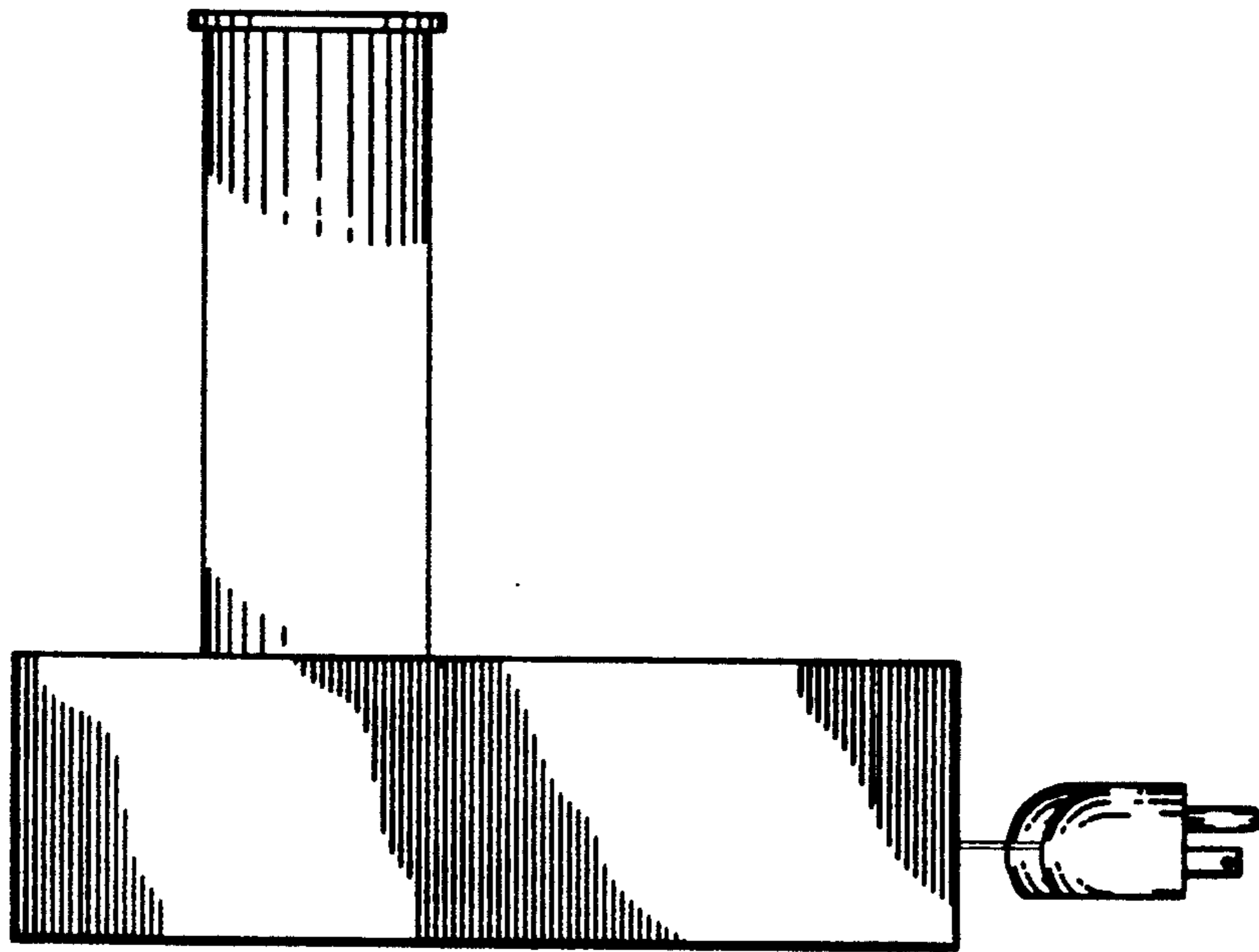


FIG. 4

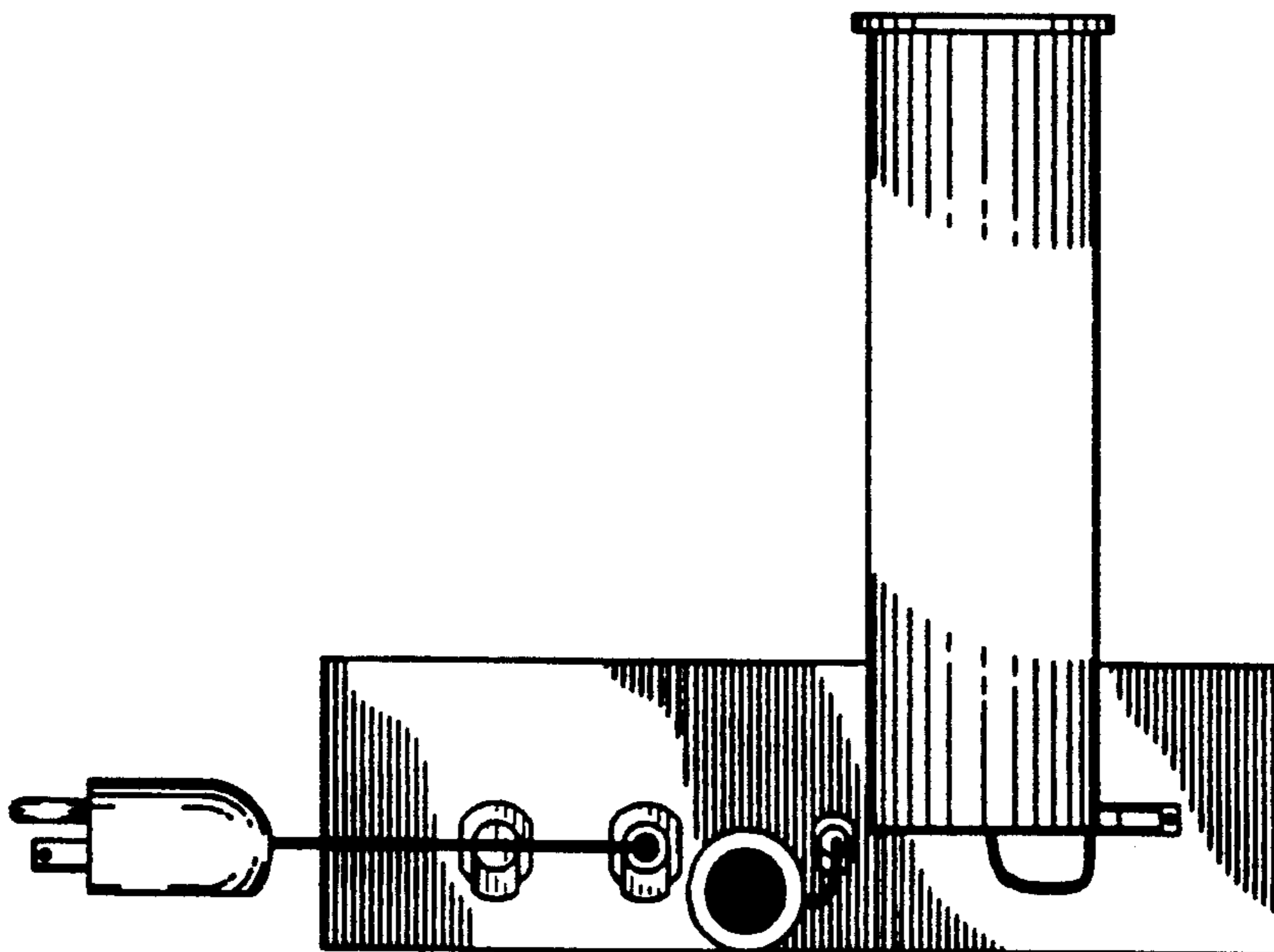


FIG. 5

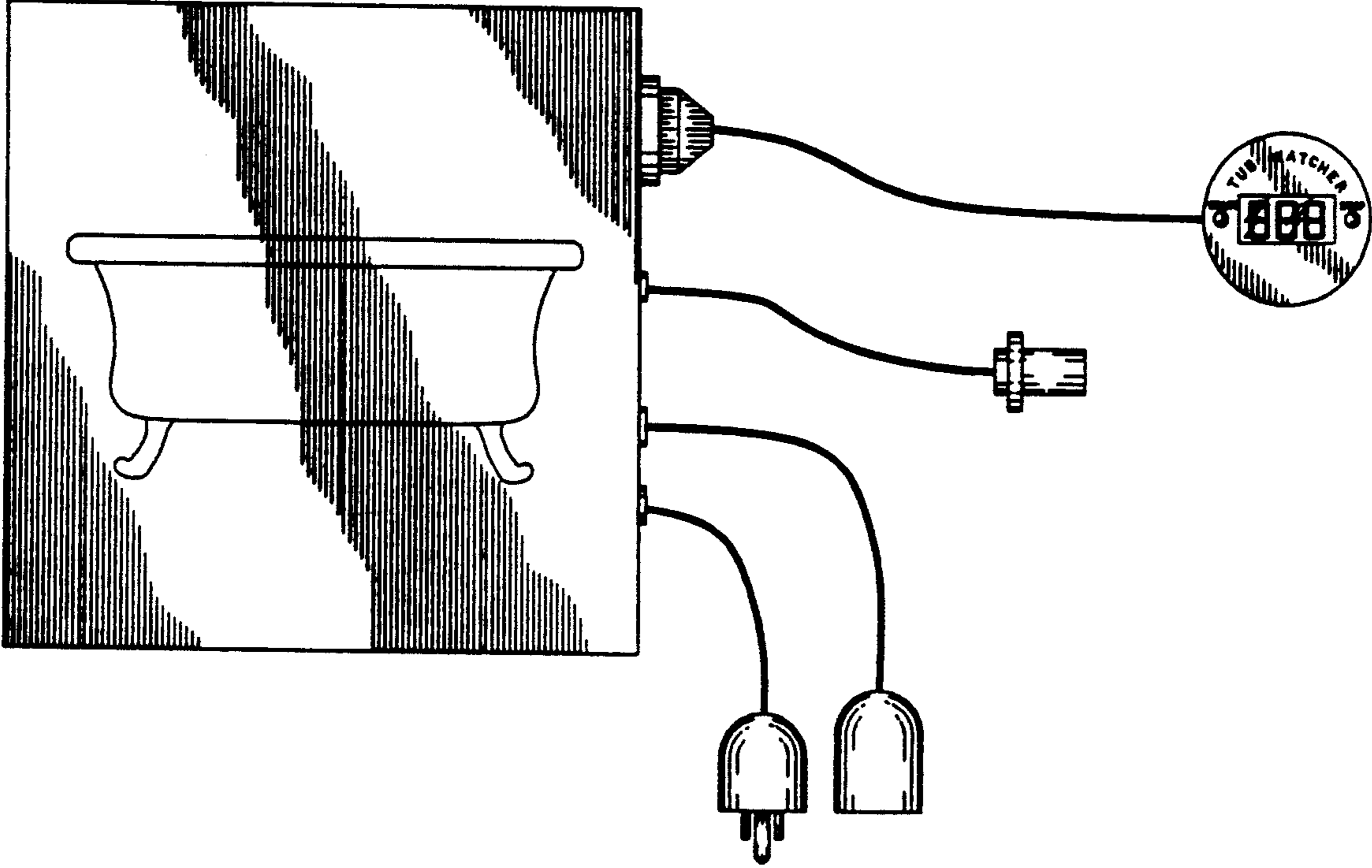


FIG. 6

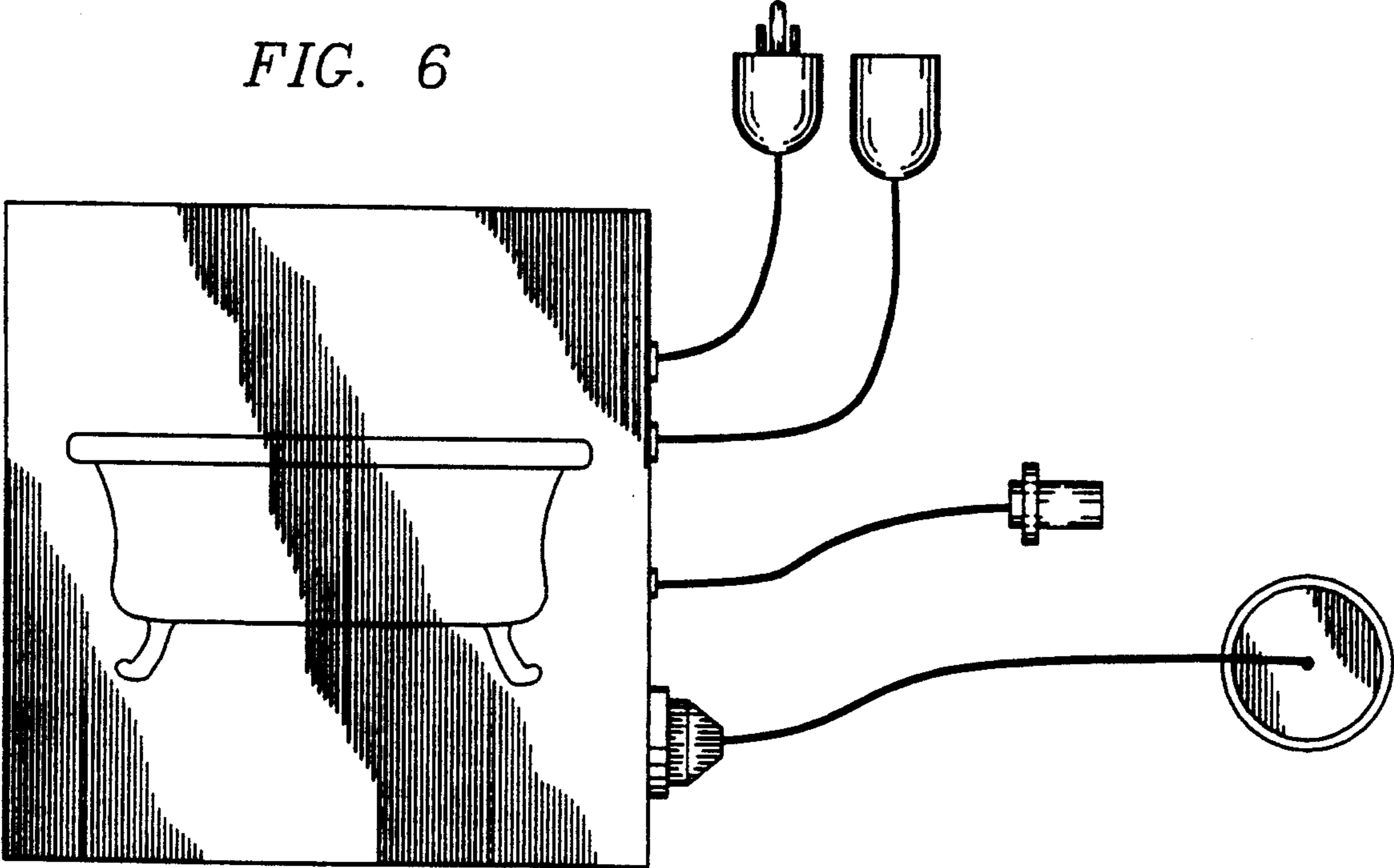


FIG. 7

