



US00D341541S

United States Patent [19] Ichiyoshi

[11] Patent Number: **Des. 341,541**

[45] Date of Patent: **** Nov. 23, 1993**

[54] **AUTOMATIC EYE-REFRACTION
MEASURING APPARATUS WITH
SPECTACLE LENS MEASURING
APPARATUS**

[75] Inventor: **Hiroyuki Ichiyoshi, Kawasaki, Japan**

[73] Assignee: **Canon Kabushiki Kaisha, Tokyo, Japan**

[**] Term: **14 Years**

[21] Appl. No.: **866,545**

[22] Filed: **Apr. 10, 1992**

[30] **Foreign Application Priority Data**

Oct. 23, 1991 [JP] Japan 3-32096

[52] U.S. Cl. **D10/46; D24/172**

[58] Field of Search **D10/46; D24/172;
33/200; 356/125-137**

[56] **References Cited**

U.S. PATENT DOCUMENTS

| | | | | |
|------------|--------|----------------|-------|-----------|
| D. 297,645 | 9/1988 | Nishimura | | D16/130 |
| D. 316,144 | 4/1991 | Nishimura | | D24/17 |
| D. 320,077 | 9/1991 | Koizumi | | D24/172 |
| D. 325,782 | 4/1992 | Elic | | D24/172 |
| D. 327,024 | 6/1992 | Elic | | D24/172 X |
| 4,571,842 | 2/1986 | Ikezawa et al. | | 33/200 |

OTHER PUBLICATIONS

Topcon; CL-2000; Feb. 1989; cover; applicant provided.

Topcon; CL-1500; Apr. 1986; cover; applicant provided.

Nikos; NL-30; cover; applicant provided.

Primary Examiner—Alan P. Douglas

Assistant Examiner—Antoine D. Davis

Attorney, Agent, or Firm—Fitzpatrick, Cella, Harper & Scinto

[57] **CLAIM**

The ornamental design for an automatic eye-refraction measuring apparatus with spectacle lens measuring apparatus, as shown and described.

DESCRIPTION

FIG. 1 is a front elevational view of an automatic eye-refraction measuring apparatus with spectacle lens measuring apparatus showing my new design; FIG. 2 is a rear elevational view thereof; FIG. 3 is a top plan view thereof; FIG. 4 is a bottom plan view thereof; FIG. 5 is a left side elevational view thereof; FIG. 6 is a right side elevational view thereof; and, FIG. 7 is a perspective view thereof.

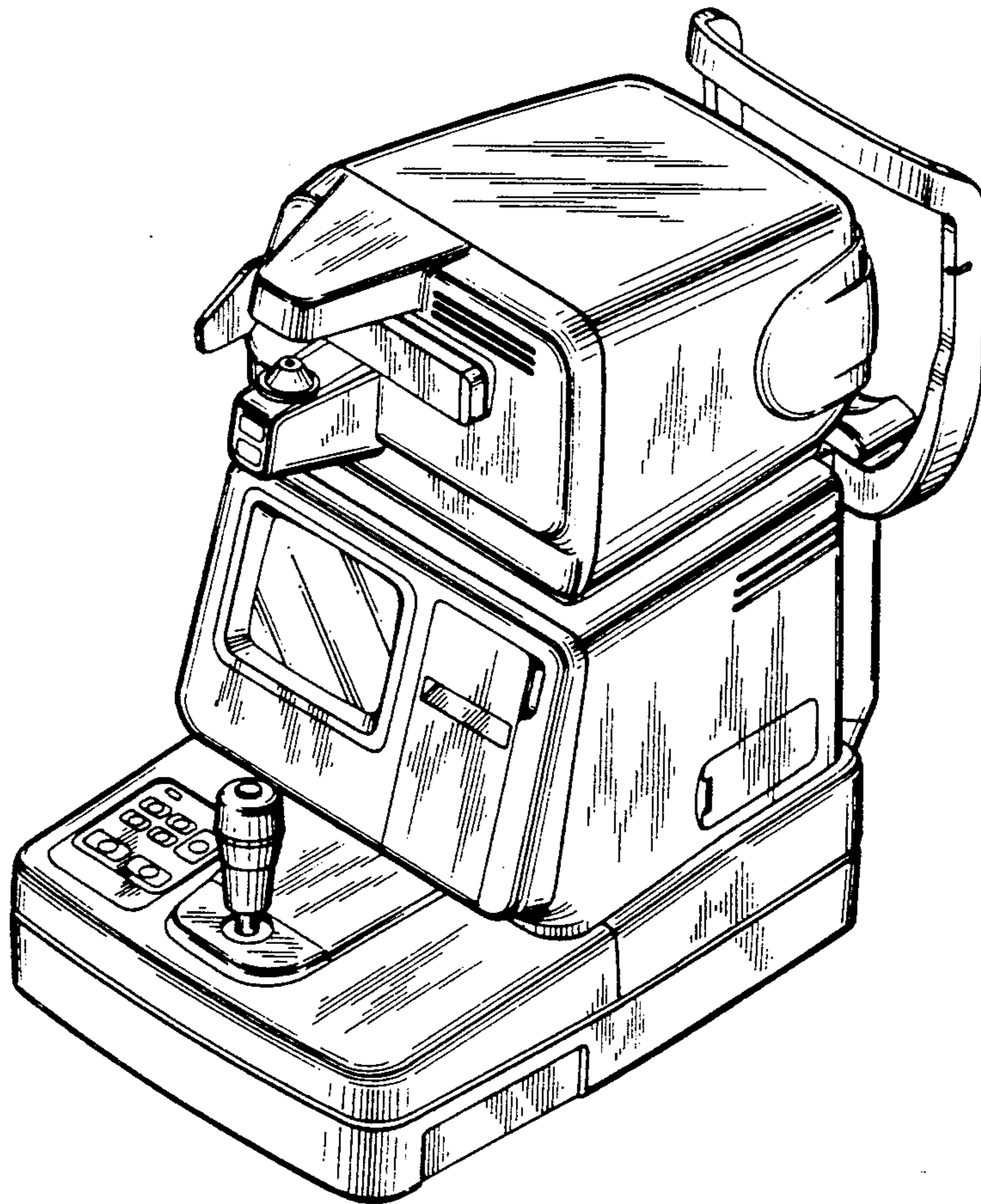


FIG. 2

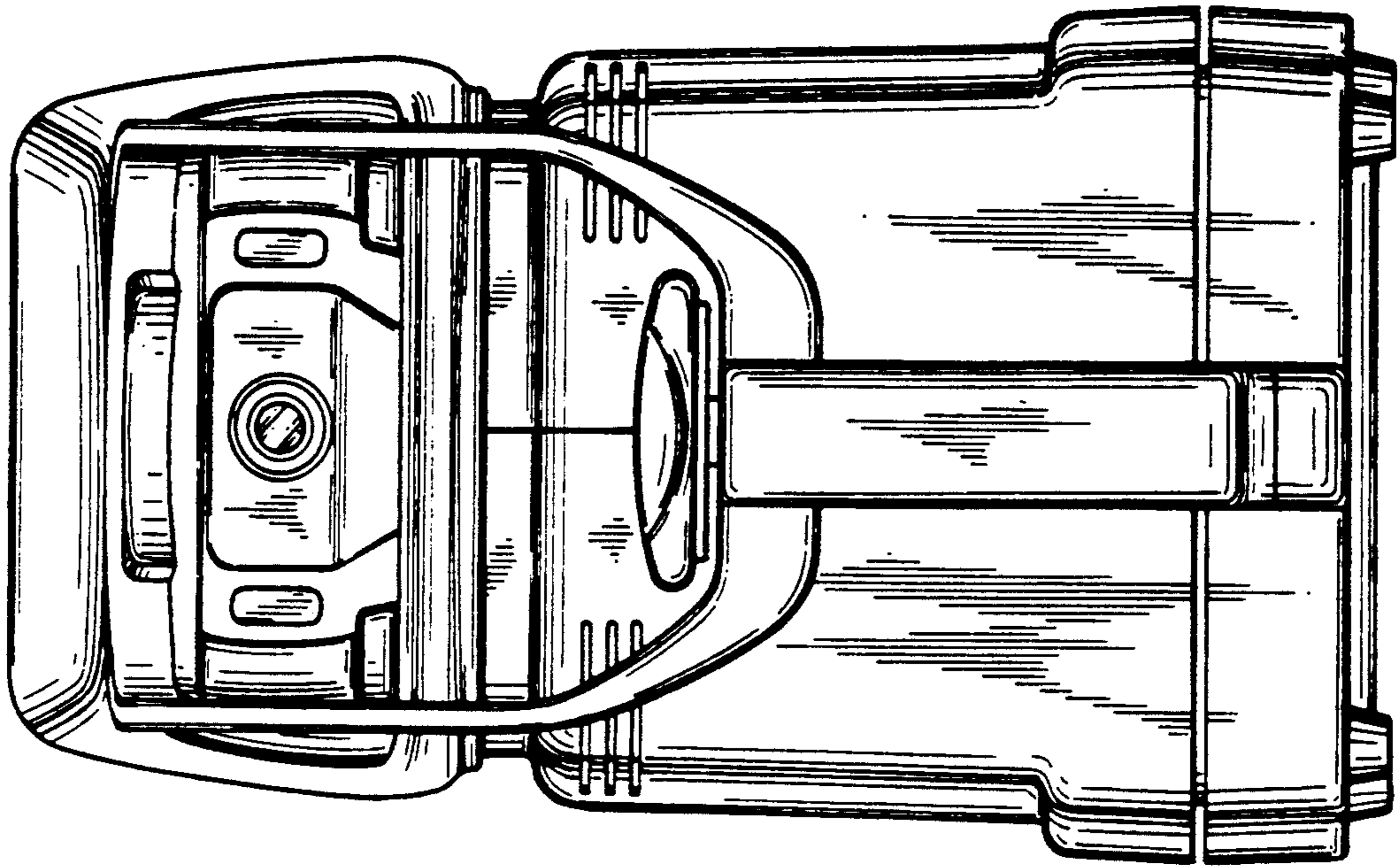


FIG. 1

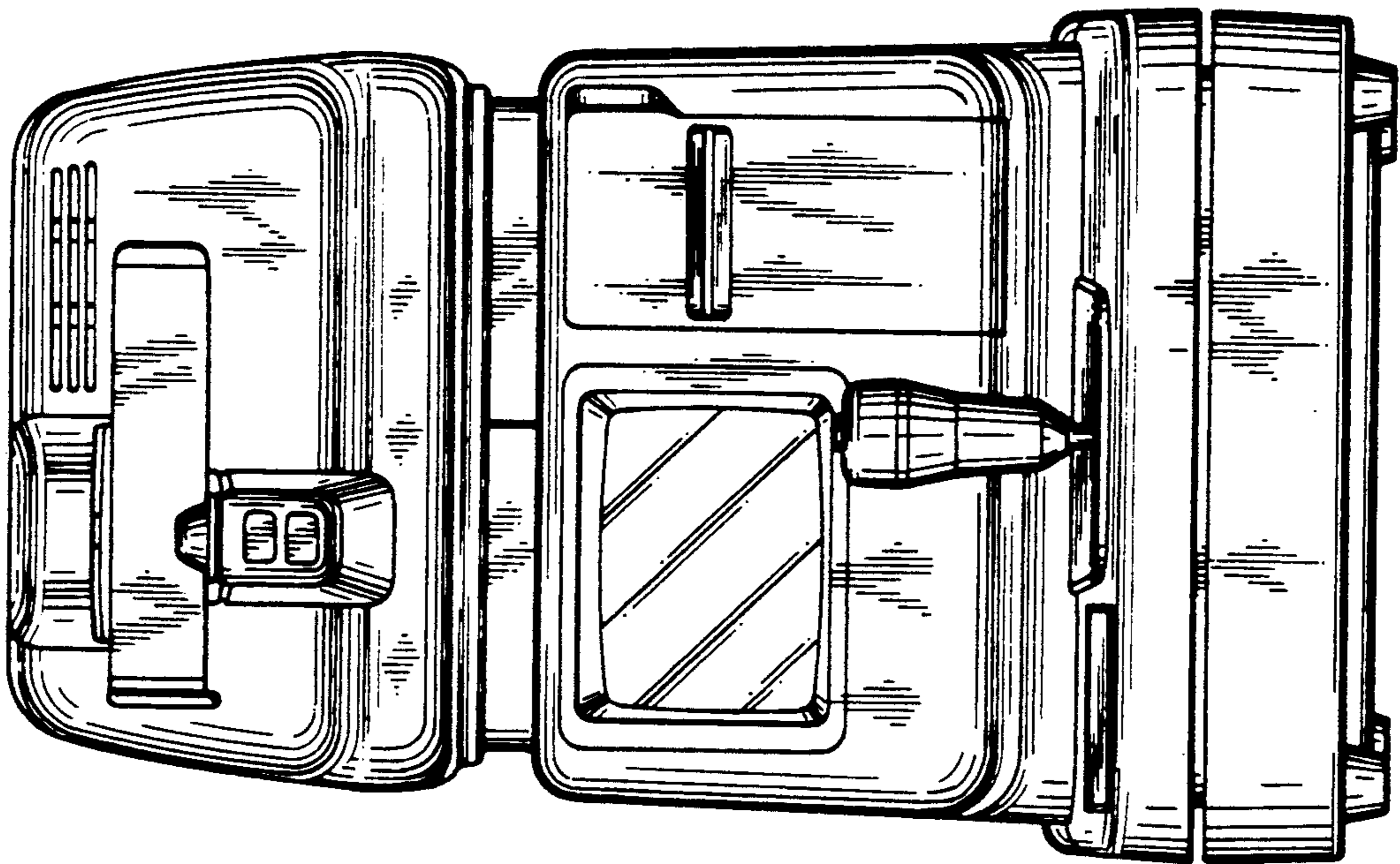


FIG. 4

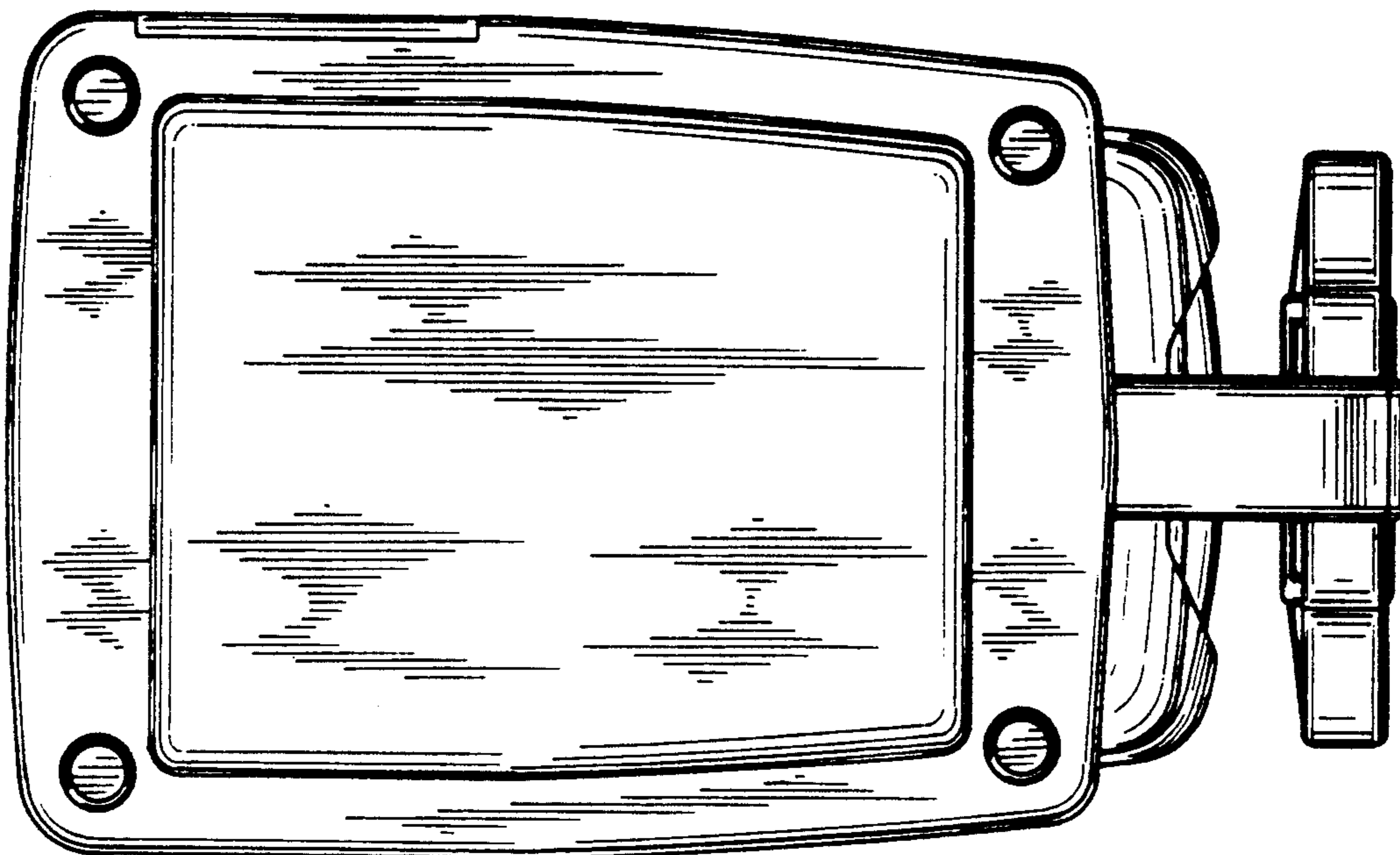


FIG. 3

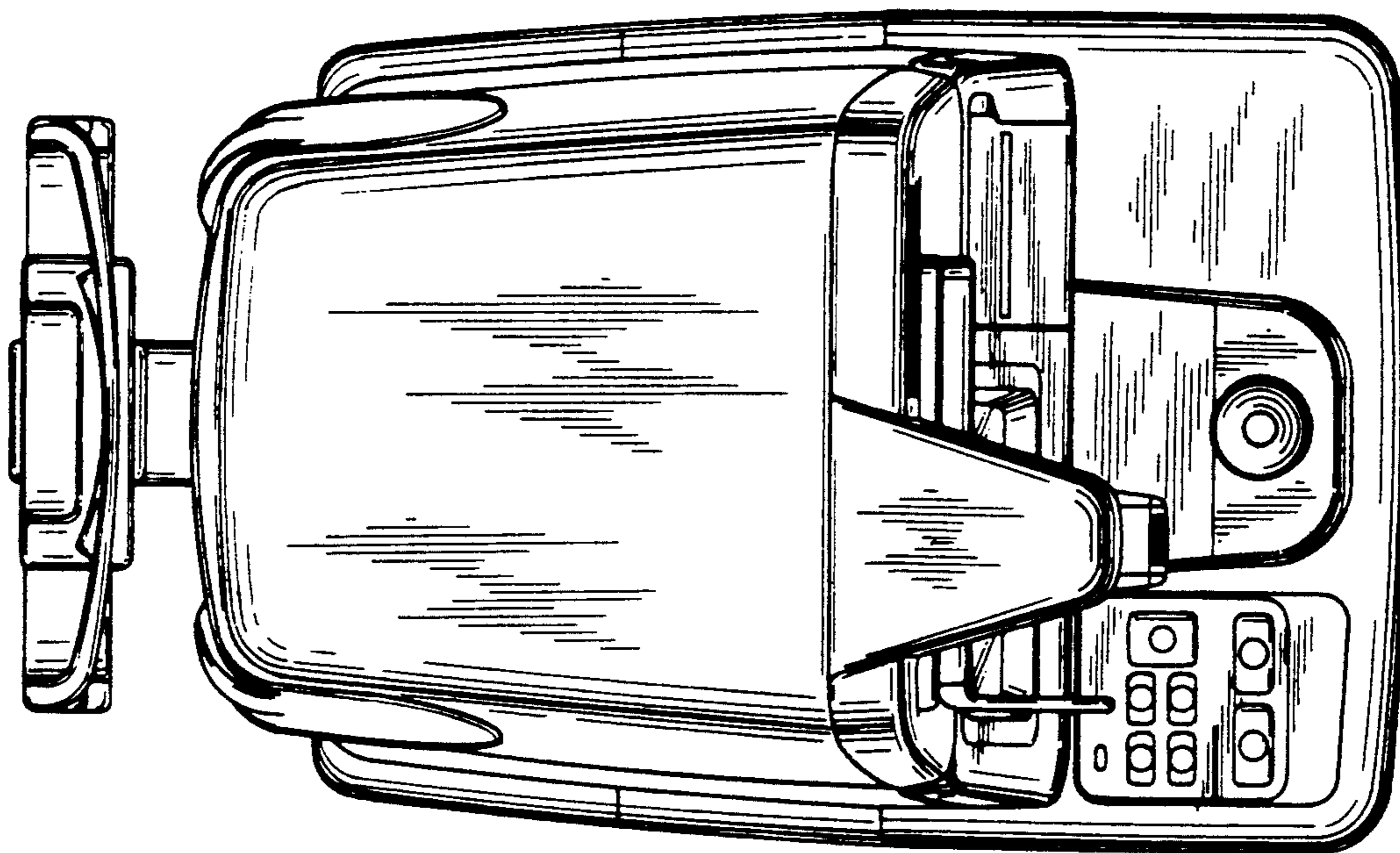


FIG. 5

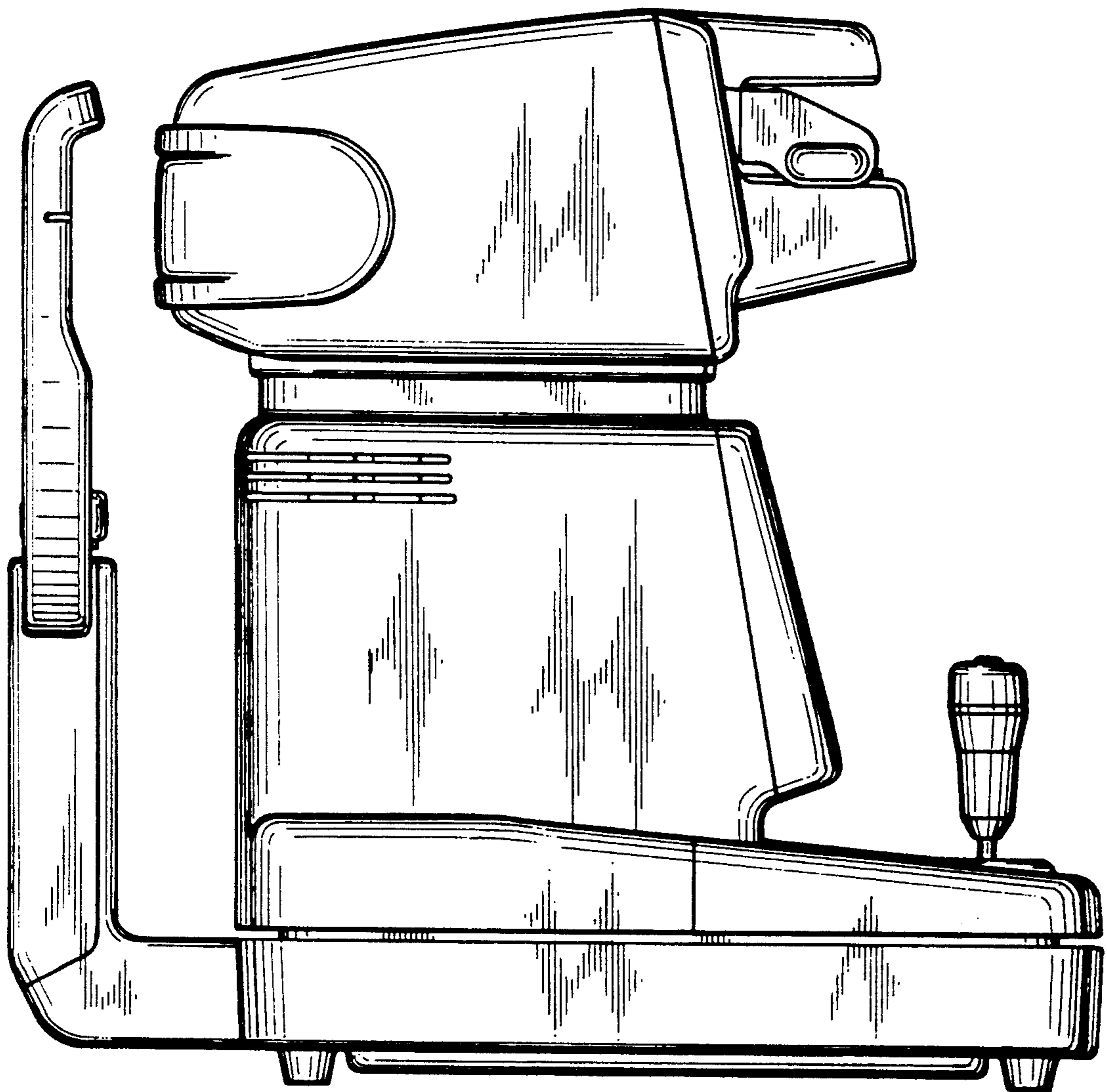


FIG. 6

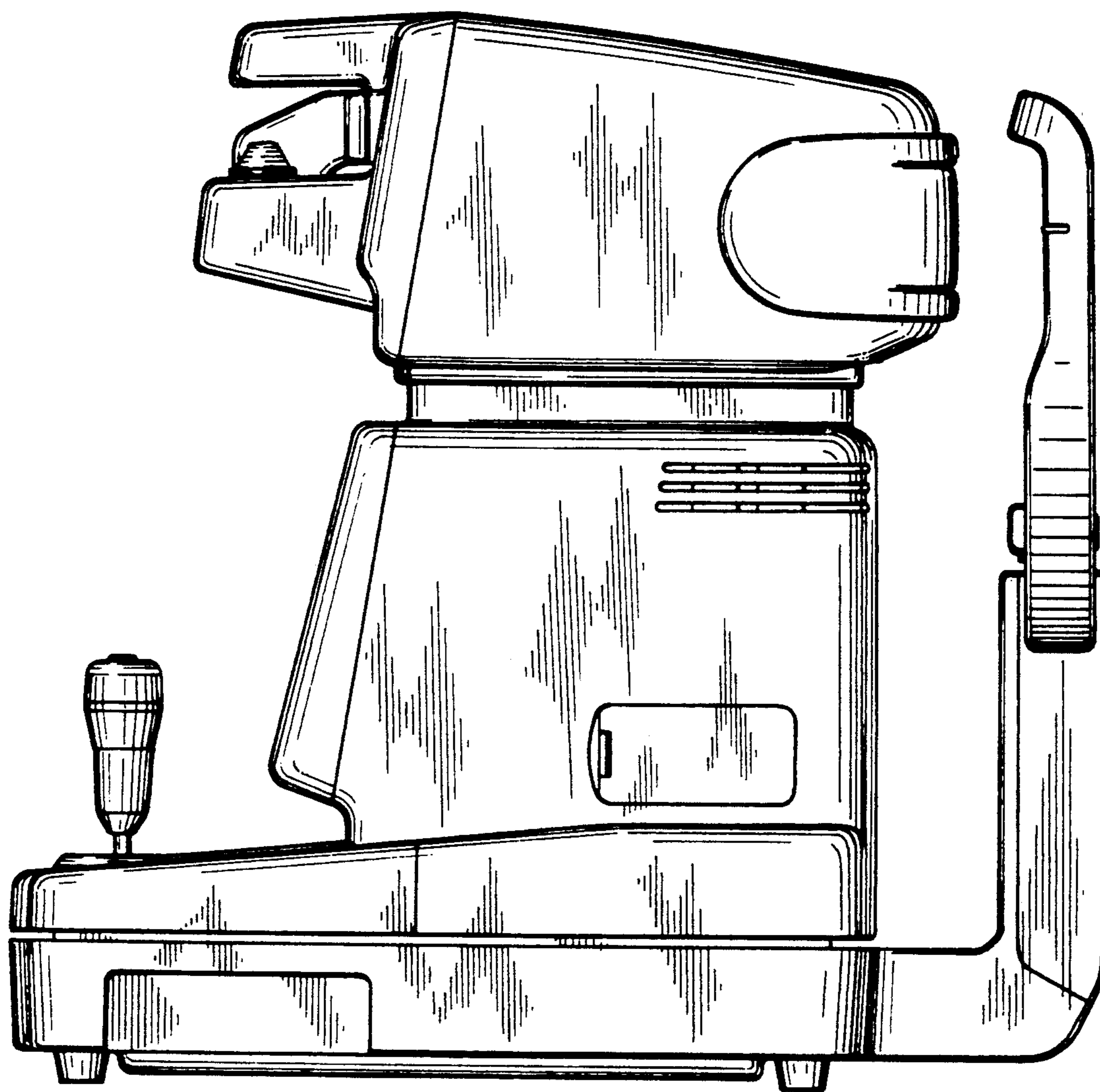


FIG. 7

