



US00D341539S

United States Patent [19]

[11] Patent Number: **Des. 341,539**

Davis et al.

[45] Date of Patent: **** Nov. 23, 1993**

- [54] CONTAINER WITH LID
- [75] Inventors: **John E. Davis, Beallmaris; Jim Samartgis, Bulleen, both of Australia**
- [73] Assignee: **Peter Fanning and Company Proprietary Limited, Victoria, Australia**
- [**] Term: **14 Years**
- [21] Appl. No.: **648,369**
- [22] Filed: **Jan. 31, 1991**
- [52] U.S. Cl. **D9/430; D9/425; D7/550**
- [58] Field of Search **D7/602, 629, 543, 545, D7/550, 538; D9/424, 425, 430, 428; 220/574, 574.1, 356, 528, DIG. 13, 534, 405, 657, 675, 912; 229/4.5, 902**

[56] References Cited

U.S. PATENT DOCUMENTS

- D. 188,908 9/1960 Laughlin .
- D. 195,524 6/1963 Patton .
- D. 201,644 7/1965 Cave D9/425
- D. 253,333 11/1979 Carr, III et al. D7/550 X
- D. 257,108 9/1980 Daenen .
- D. 284,058 6/1986 Kahn et al. .
- D. 321,809 11/1991 Zobrist D9/428 X
- 923,445 6/1909 Rose .
- 927,521 7/1909 Geig .
- 1,677,845 7/1928 Pinney .
- 1,768,976 7/1930 Cuthbertson .
- 1,863,413 6/1932 Pierce .
- 2,004,449 6/1935 Stanley D7/538 X
- 3,398,827 8/1968 Laskin .
- 3,615,713 10/1971 Stevenson .
- 4,206,845 6/1980 Christian 206/508
- 4,483,455 11/1984 Prophet, Jr. et al. 220/356 X
- 4,990,345 2/1991 Webb 229/DIG. 13 X
- 5,021,351 6/1991 Ervin 206/508 X

FOREIGN PATENT DOCUMENTS

- 3613298 3/1988 Fed. Rep. of Germany .
- 2137858 10/1984 United Kingdom .

OTHER PUBLICATIONS

Lustroware Cat #605, 3-1965, p. 15 Item #L-100 and L-102.

Tupperware, Apr. 1986, p. 33 as shown.

Primary Examiner—Bernard Ansher
Assistant Examiner—Prabhakar Deshmukh

[57] CLAIM

The ornamental design for a container with lid, as shown and described.

DESCRIPTION

FIG. 1 is a top plan view of a container with lid showing our new design; the cover of the container is removed for clarity of illustration;

FIG. 2 is a bottom plan view thereof;

FIG. 3 is a front elevational view thereof;

FIG. 4 is a side elevational view thereof;

FIG. 5 is a perspective view thereof;

FIG. 6 is a top plan view of a lid for the container shown in FIG. 1, shown separately for clarity of illustration;

FIG. 7 is a bottom plan view of FIG. 6;

FIG. 8 is a front elevational view of FIG. 6;

FIG. 9 is a side elevational view of FIG. 6;

FIG. 10 is a perspective view of FIG. 6;

FIG. 11 is a top plan view of a second embodiment of FIG. 1;

FIG. 12 is a bottom plan view of FIG. 11;

FIG. 13 is a front elevational view of FIG. 11;

FIG. 14 is a side elevational view of FIG. 11;

FIG. 15 is a perspective view of FIG. 11;

FIG. 16 is a top plan view of a lid for the container shown in FIG. 11, shown separately for clarity of illustration;

FIG. 17 is a bottom plan view of FIG. 16;

FIG. 18 is a front elevational view of FIG. 16;

FIG. 19 is a side elevational view of FIG. 16;

FIG. 20 is a perspective view of FIG. 16;

FIG. 21 is a top plan view of a third embodiment of FIG. 1;

FIG. 22 is a bottom plan view of FIG. 21;

FIG. 23 is a front elevational view of FIG. 21;

FIG. 24 is a side elevational view of FIG. 21;

FIG. 25 is a perspective view of FIG. 21;

FIG. 26 is a top plan view of a lid for the container shown in FIG. 21; shown separately for clarity of illustration;

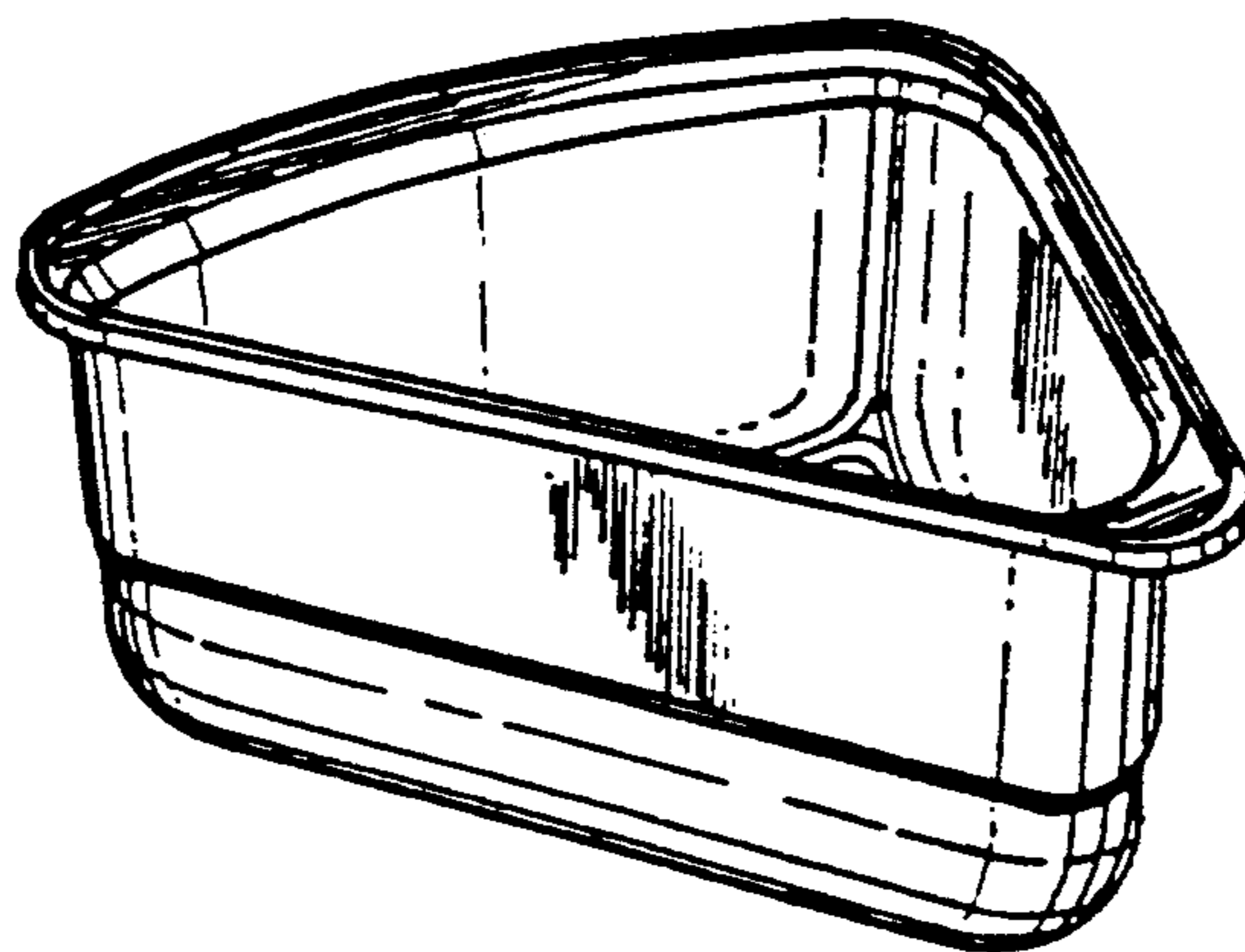


FIG. 27 is a bottom plan view of FIG. 26;
FIG. 28 is a front elevational view of FIG. 26;
FIG. 29 is a side elevational view of FIG. 26;
FIG. 30 is a perspective view of FIG. 26;
FIG. 31 is a top plan view of a fourth embodiment of FIG. 1;
FIG. 32 is a bottom plan view of FIG. 31;
FIG. 33 is a front elevational view of FIG. 31;
FIG. 34 is a side elevational view of FIG. 31;

FIG. 35 is a perspective view of FIG. 31;
FIG. 36 is a top plan view of a lid for a container shown in FIG. 31; shown separately for clarity of illustration;
FIG. 37 is a bottom plan view of FIG. 36;
FIG. 38 is a front elevational view of FIG. 36;
FIG. 39 is a side elevational view of FIG. 36;
FIG. 40 is a perspective view of FIG. 36; and,
FIG. 41 is a sectional elevational view taken along line 41-41 of FIG. 6.

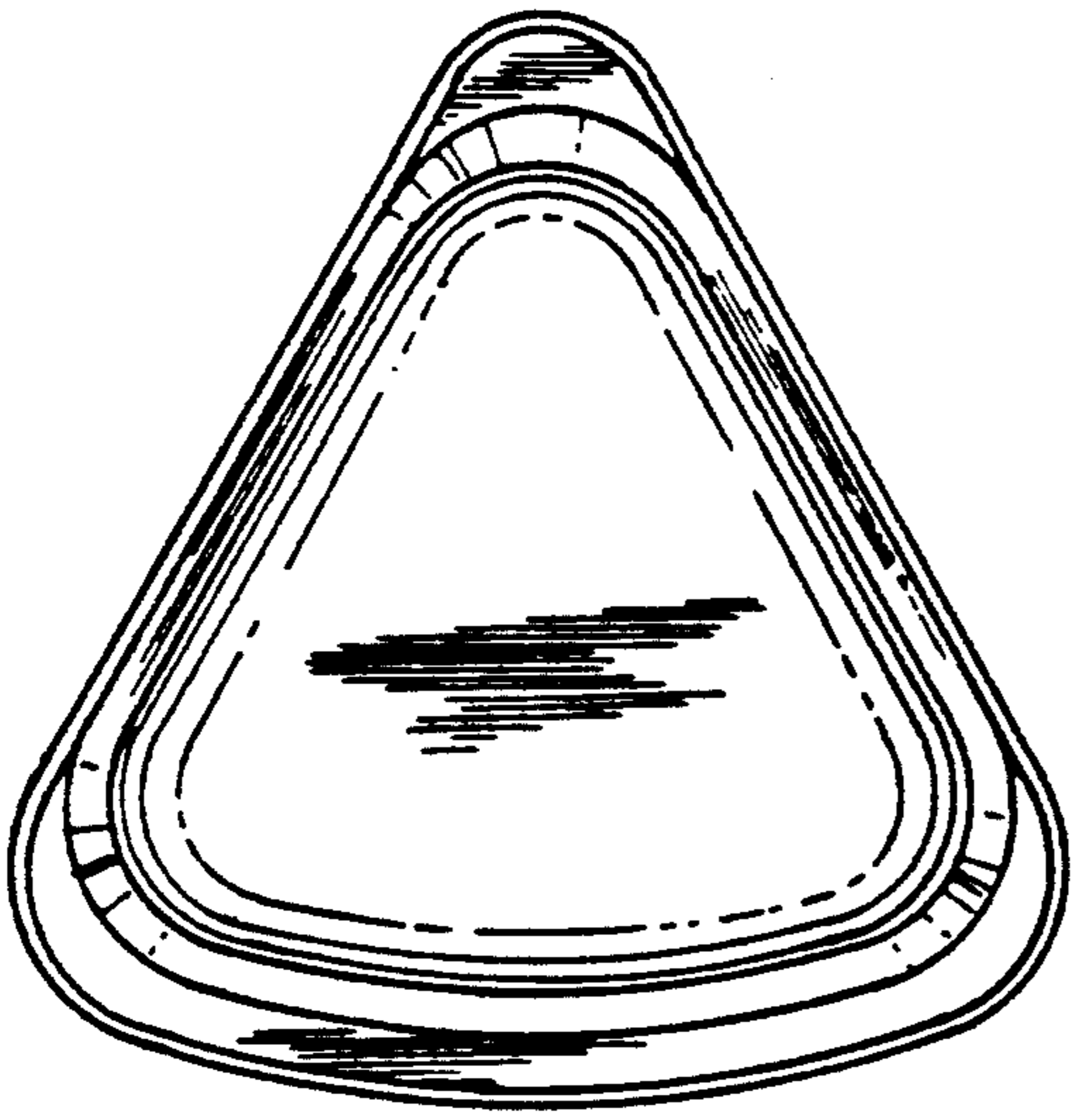


FIGURE 1

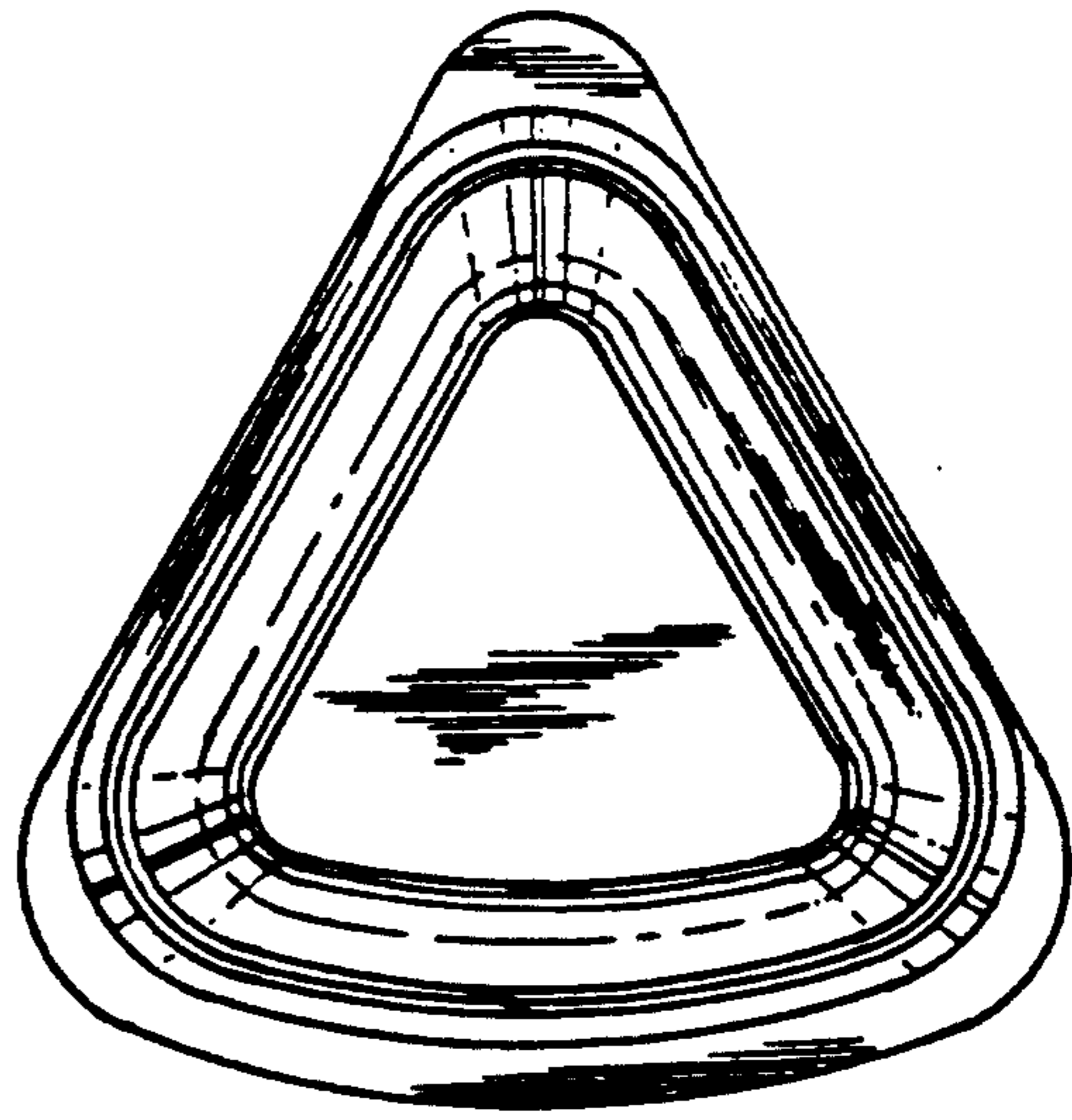


FIGURE 2

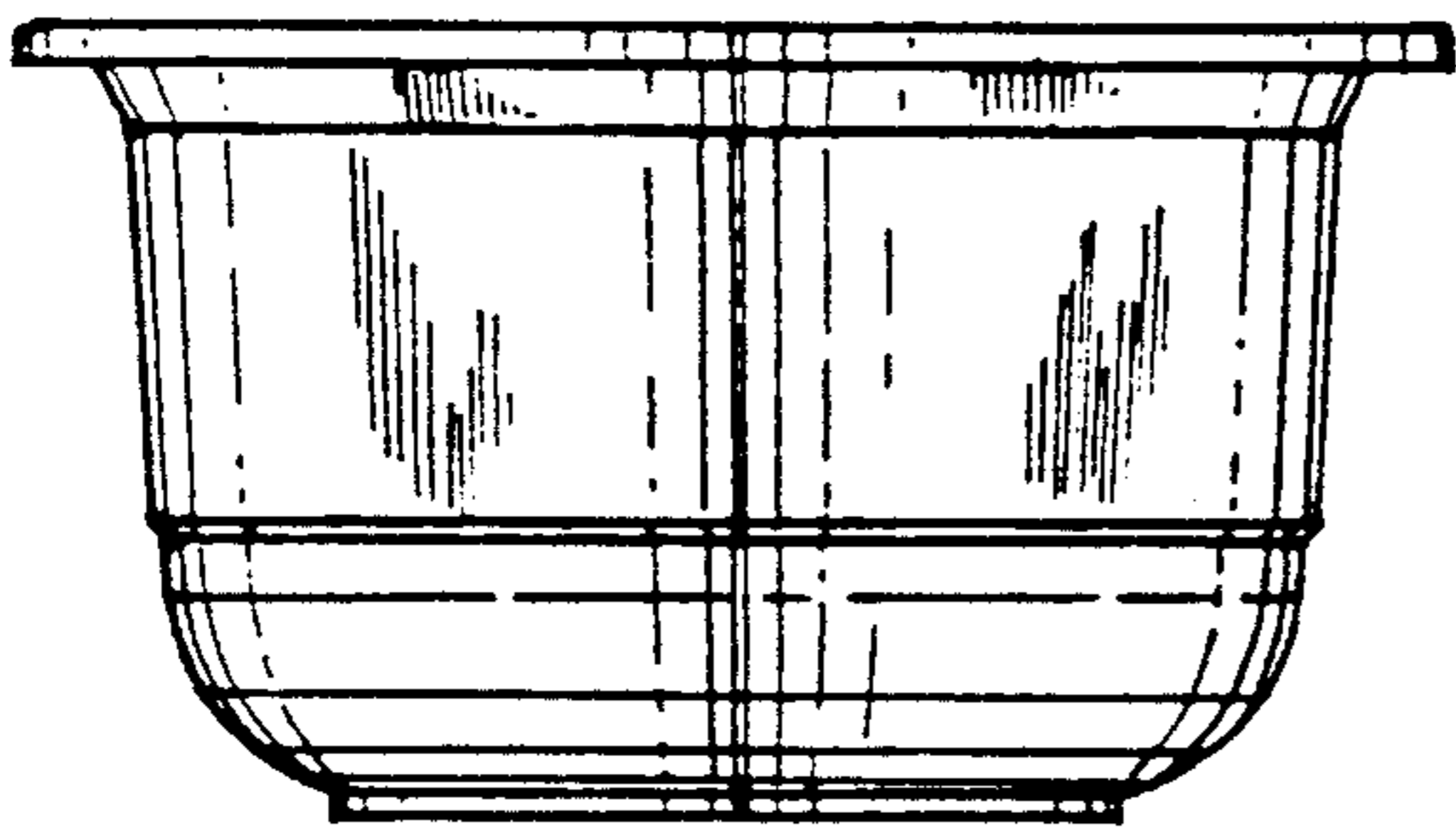


FIGURE 3

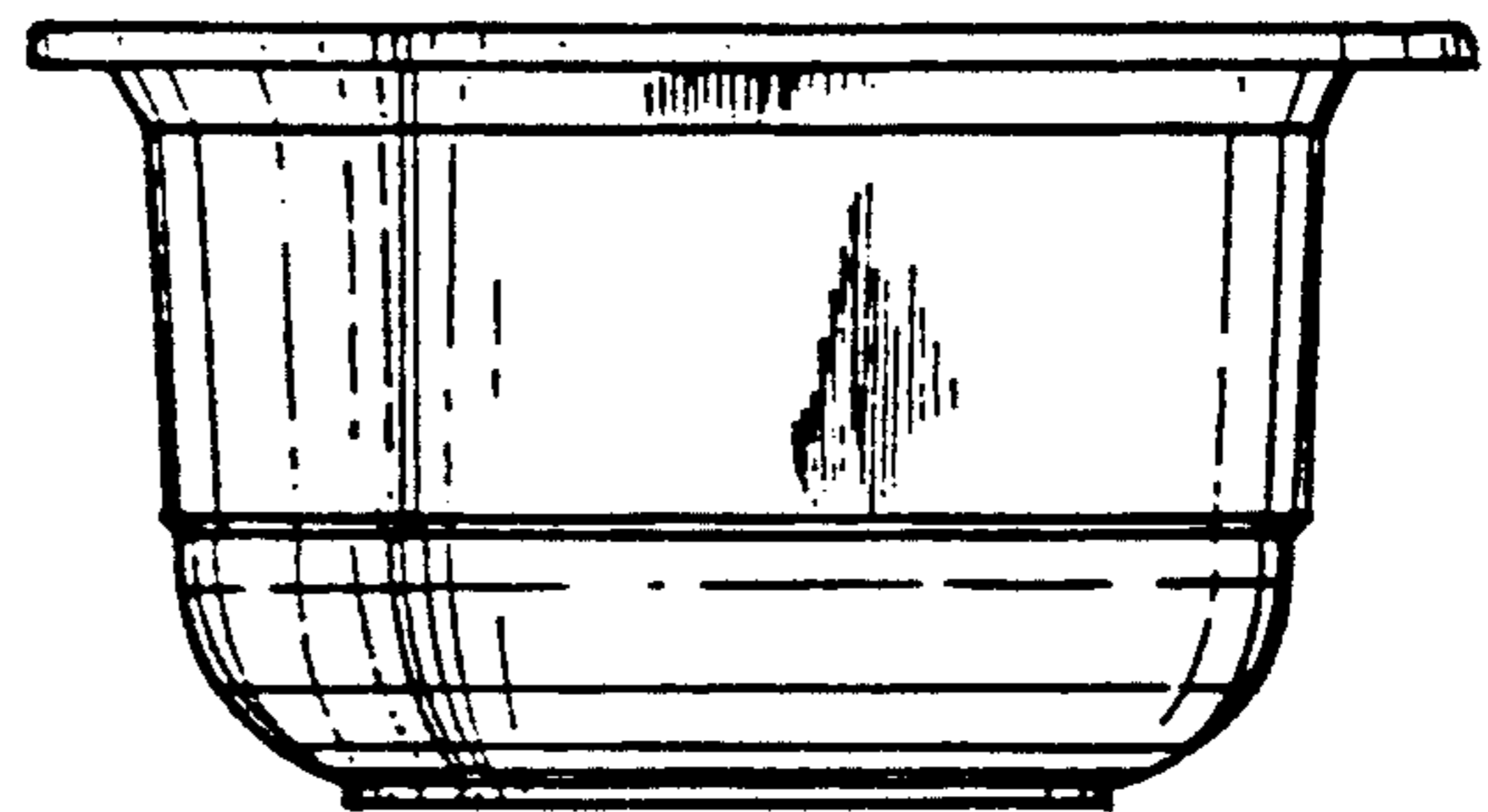


FIGURE 4

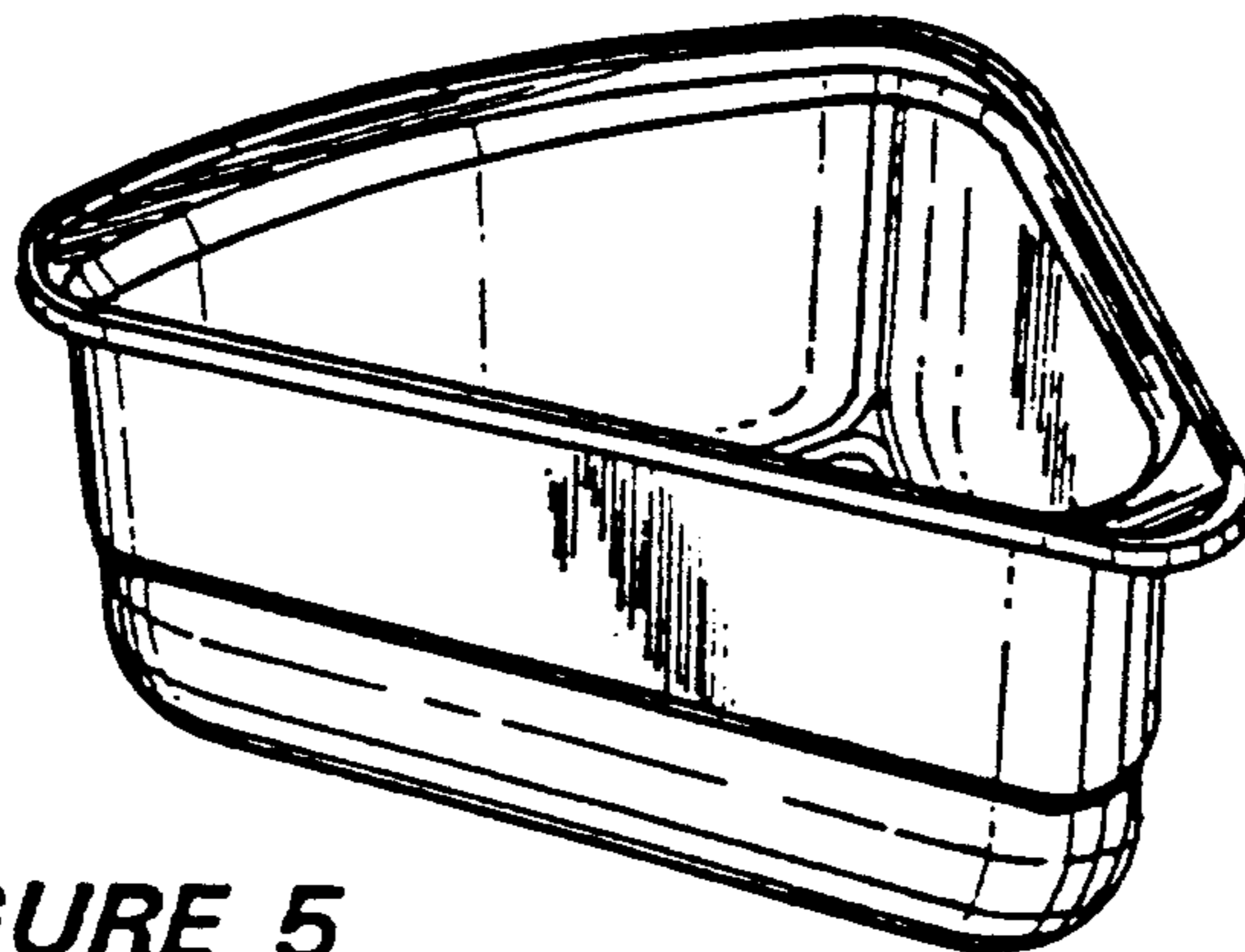


FIGURE 5

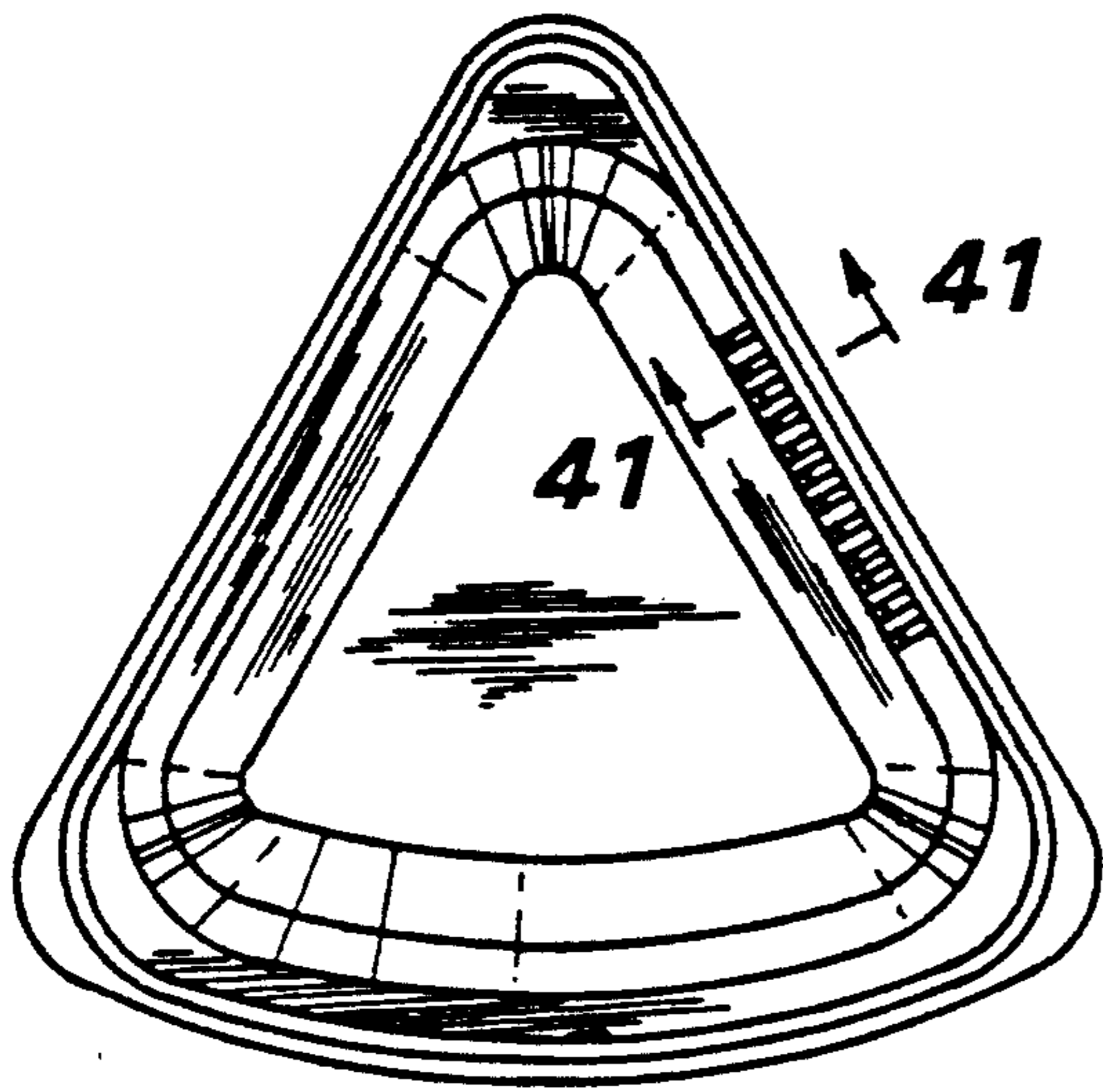


FIGURE 6

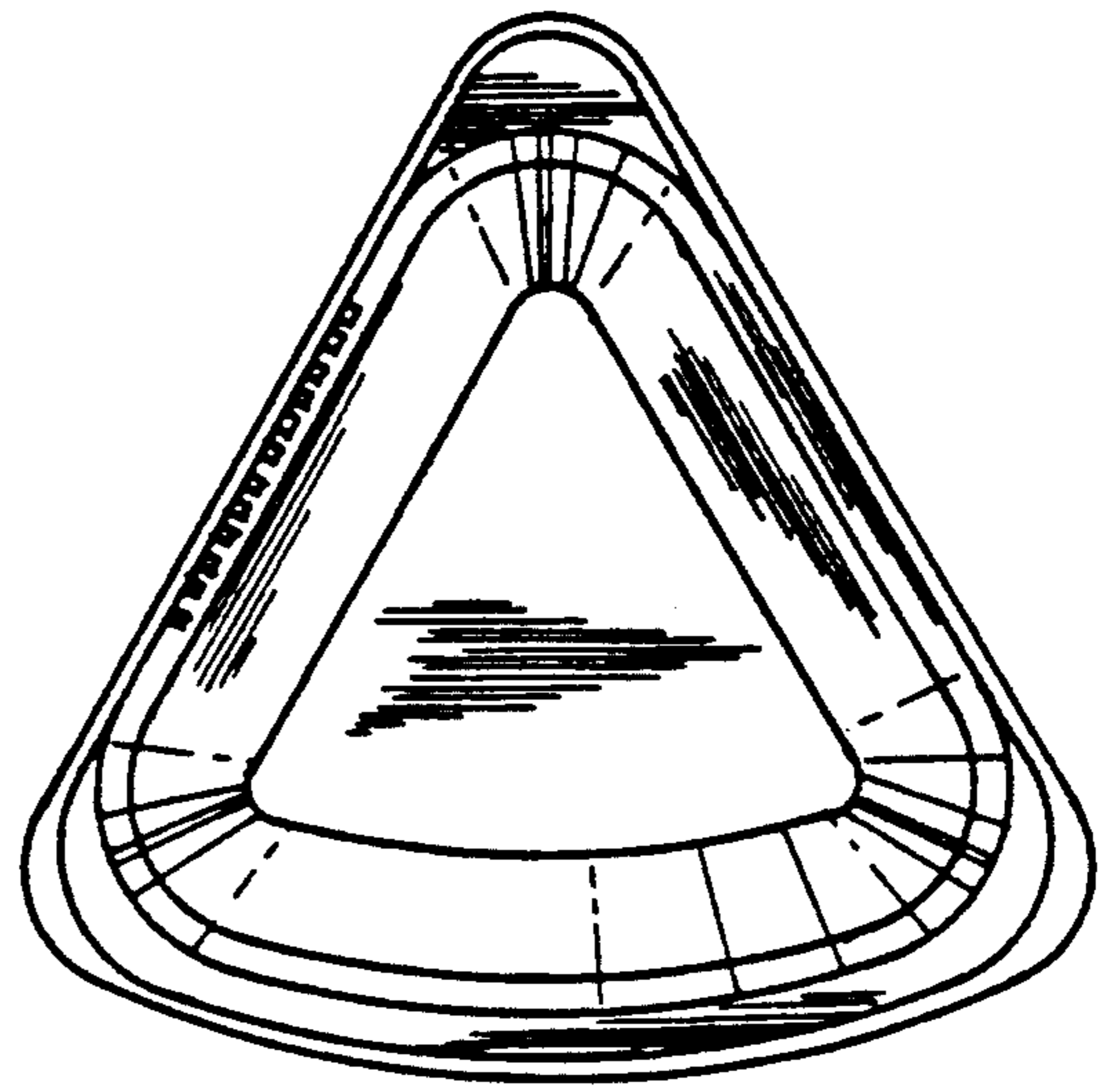


FIGURE 7



FIGURE 8



FIGURE 9

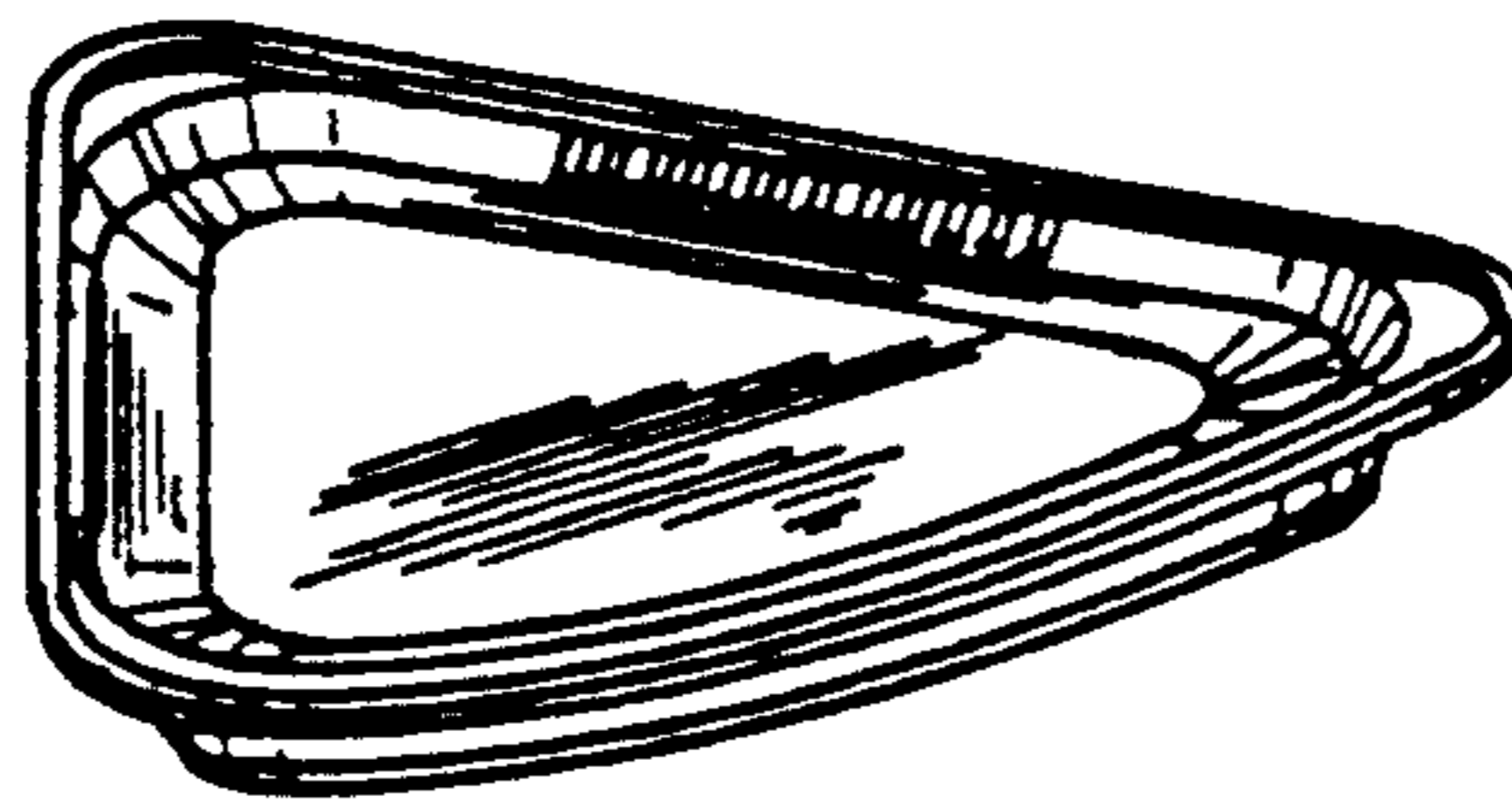


FIGURE 10

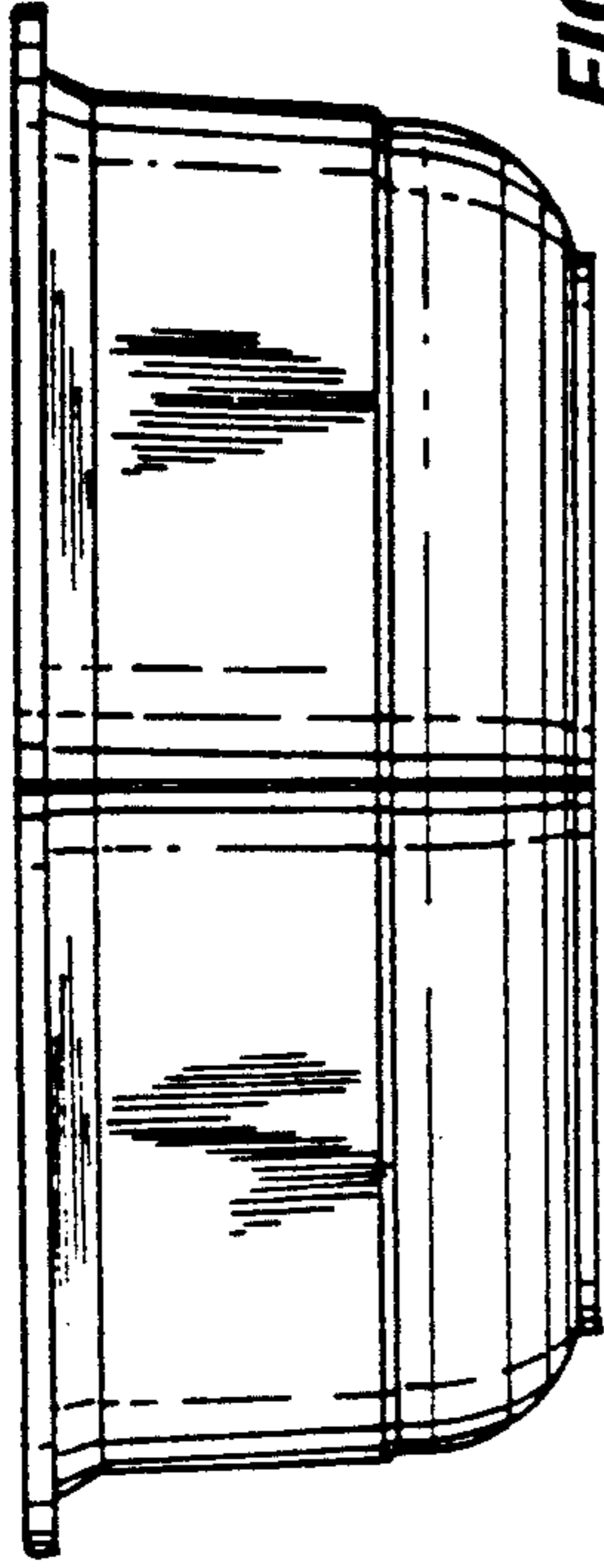


FIGURE 13



FIGURE 14

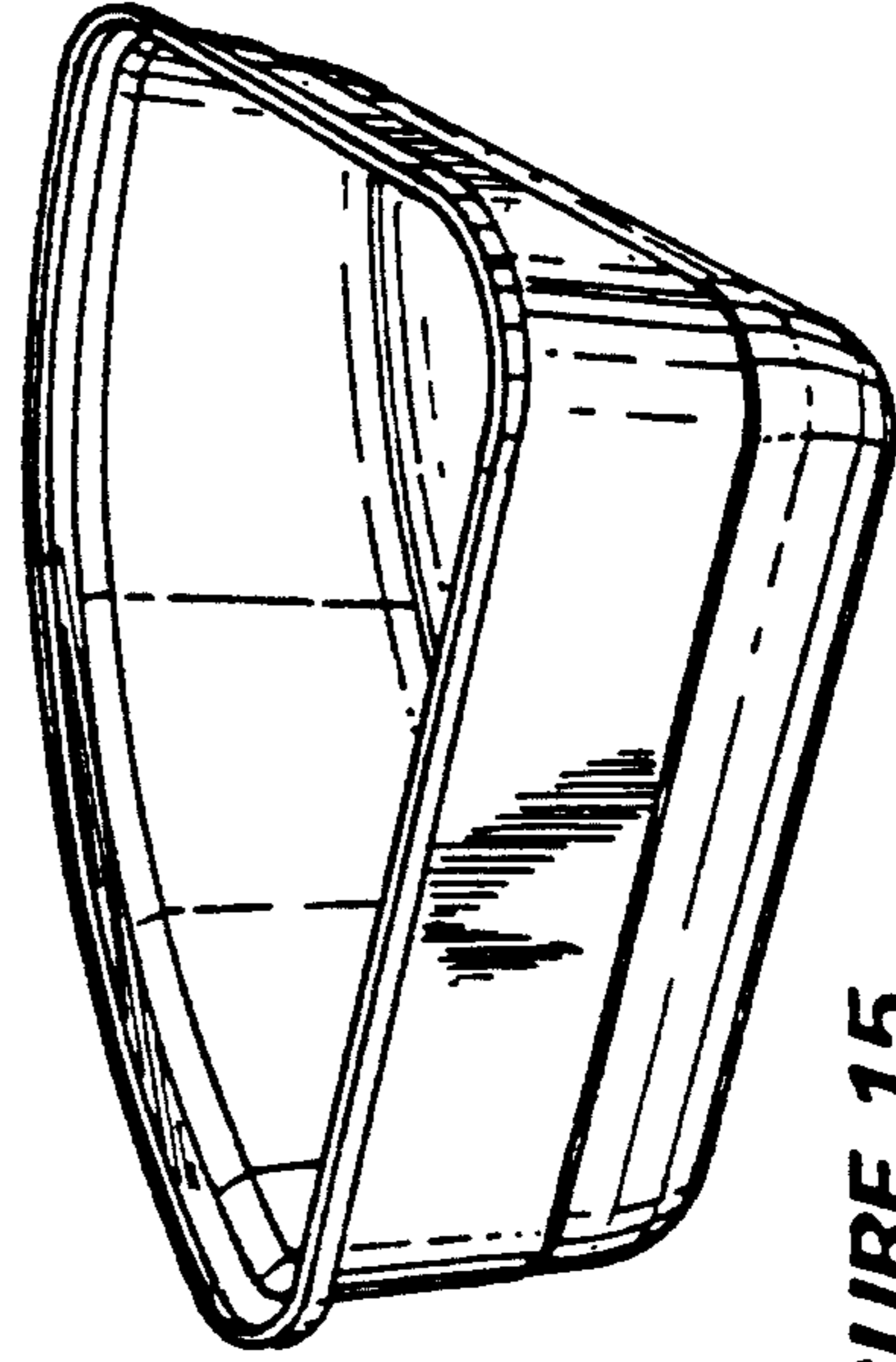


FIGURE 15

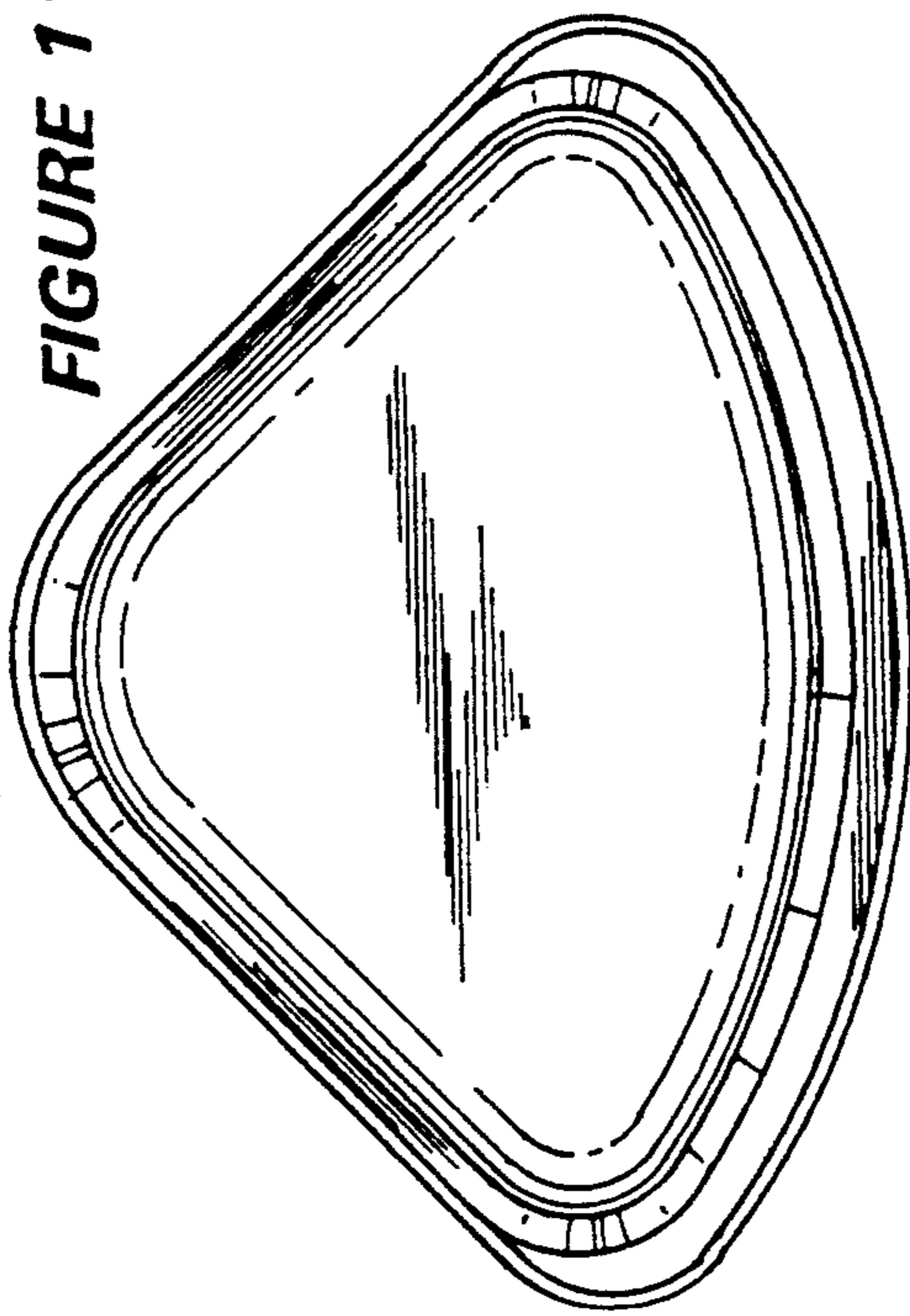


FIGURE 11

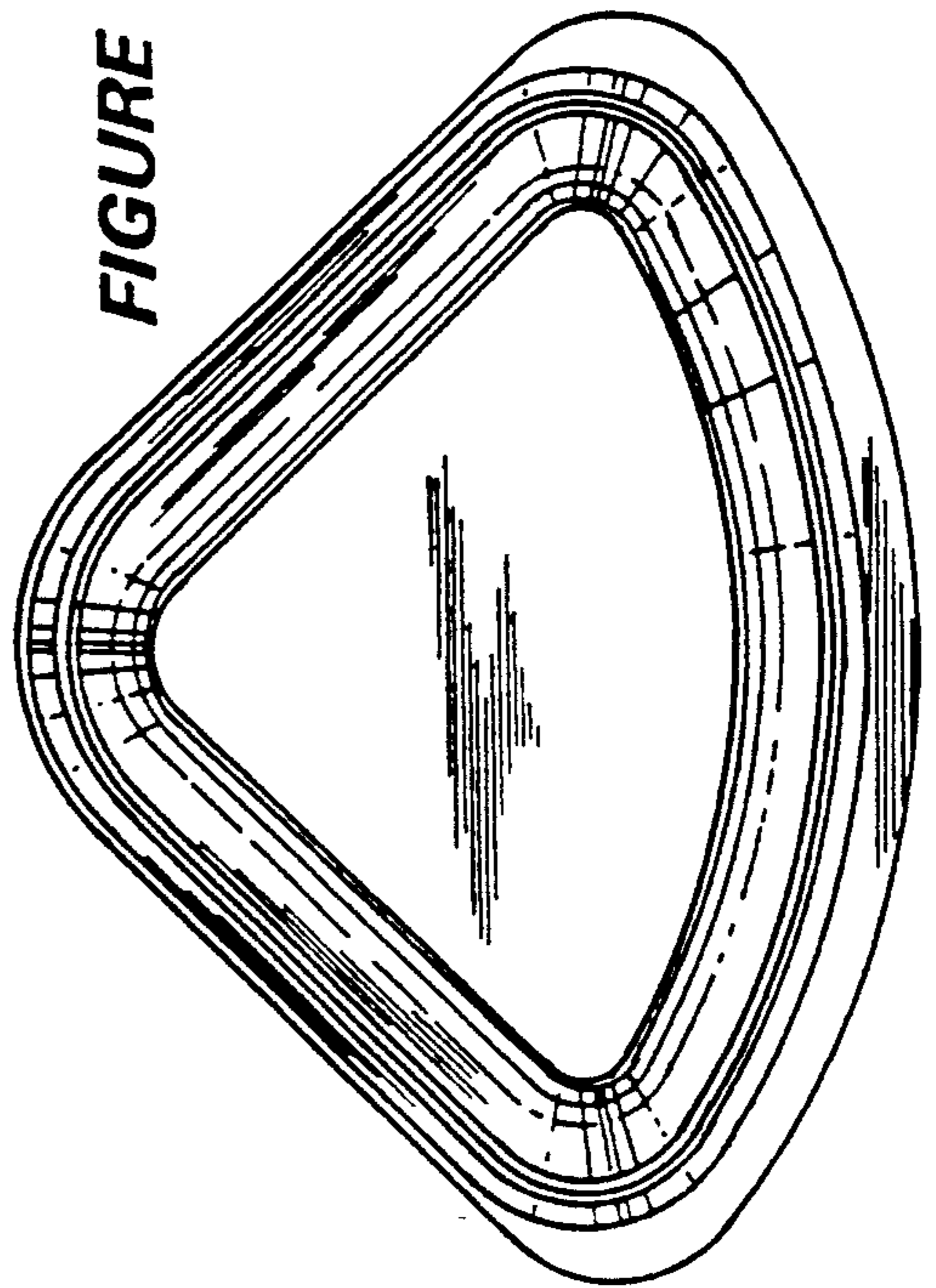


FIGURE 12

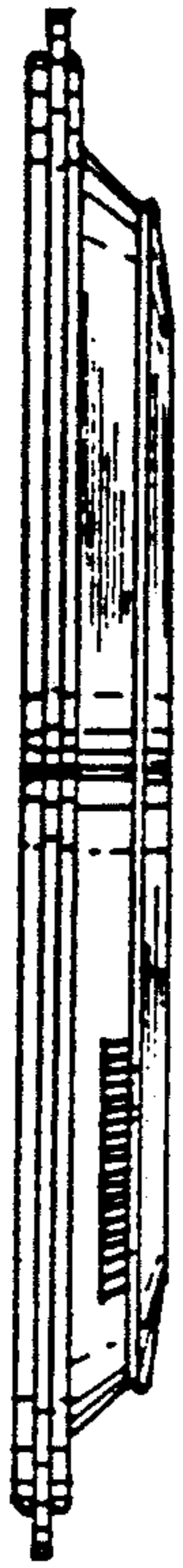


FIGURE 18

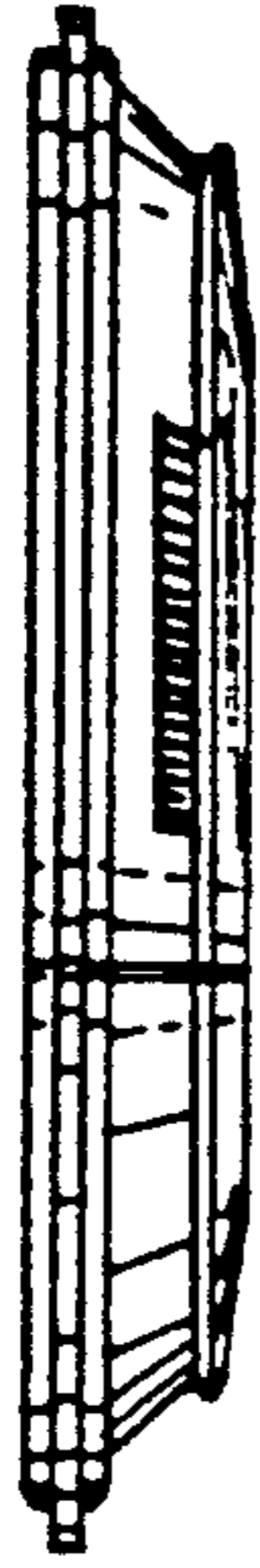


FIGURE 19

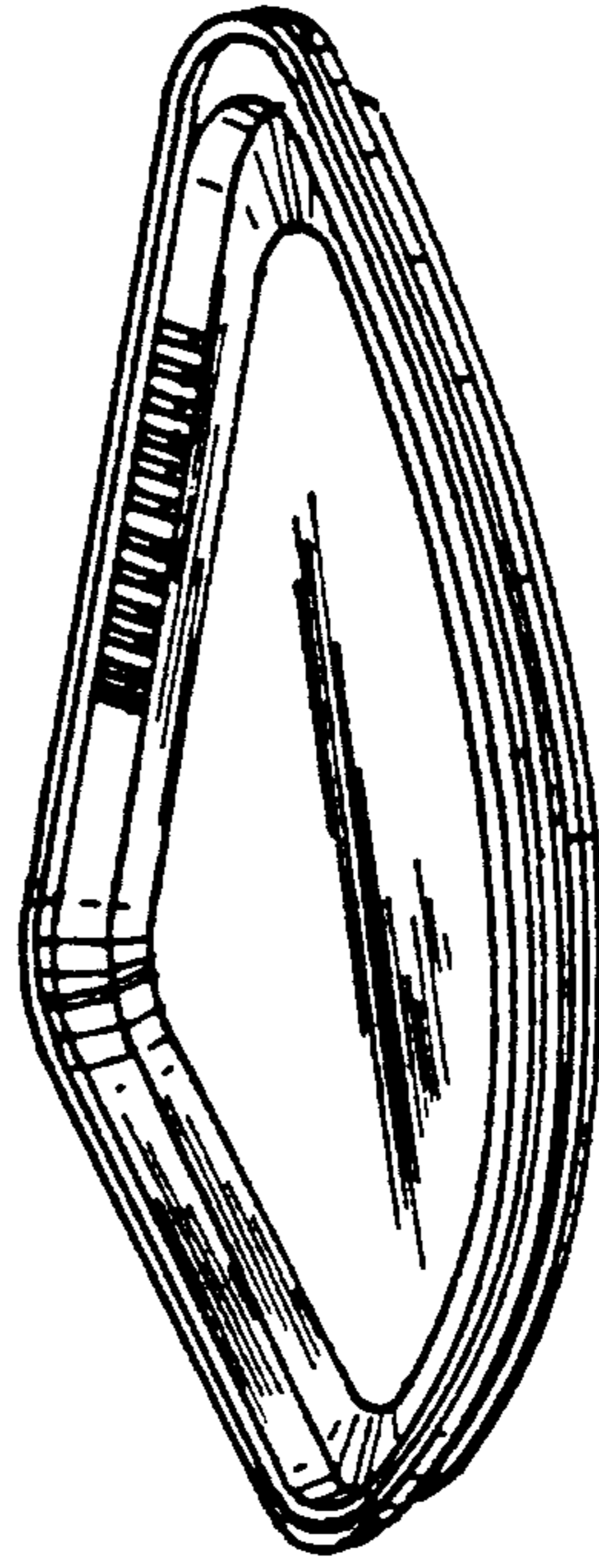


FIGURE 20

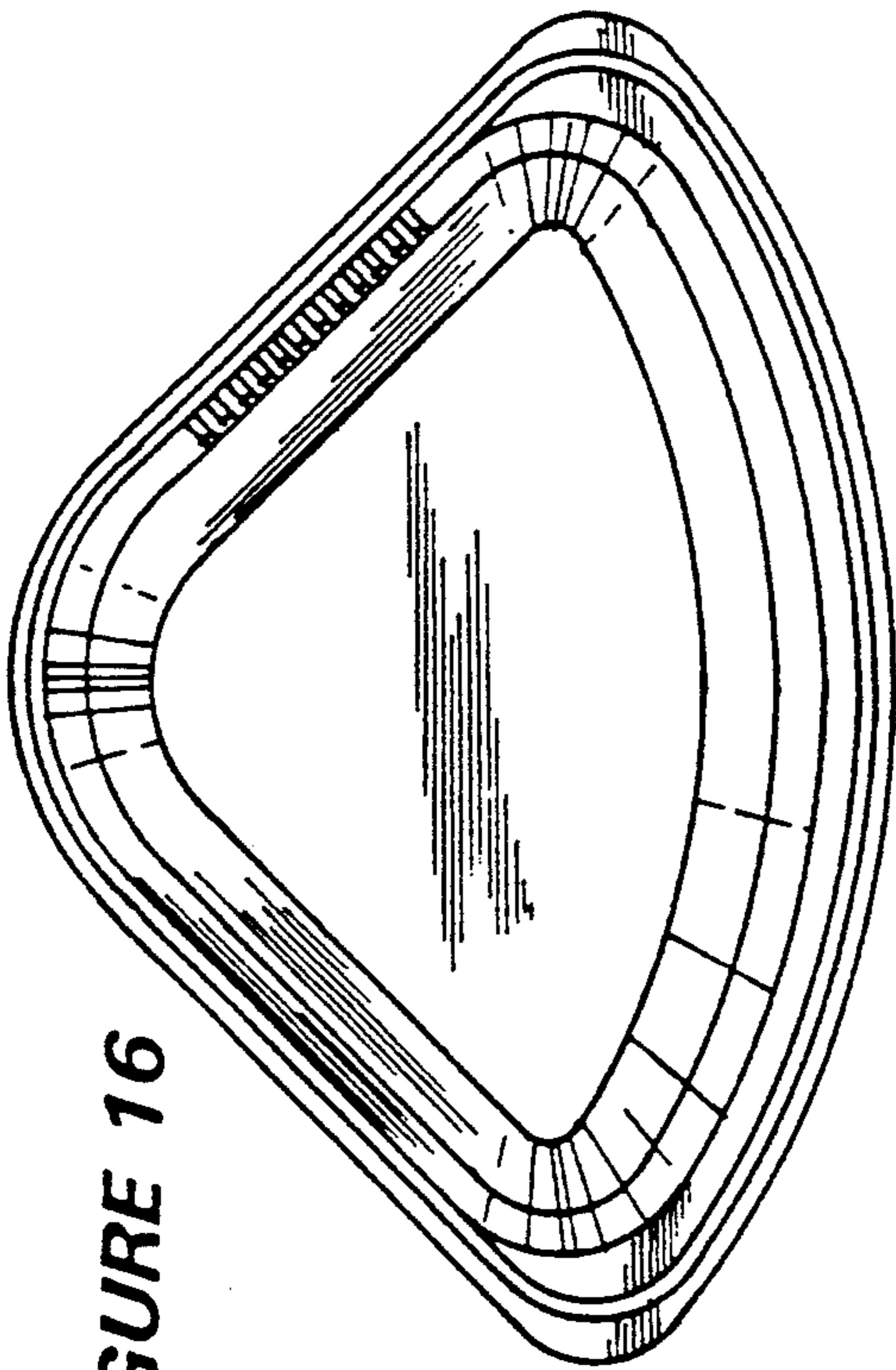


FIGURE 16

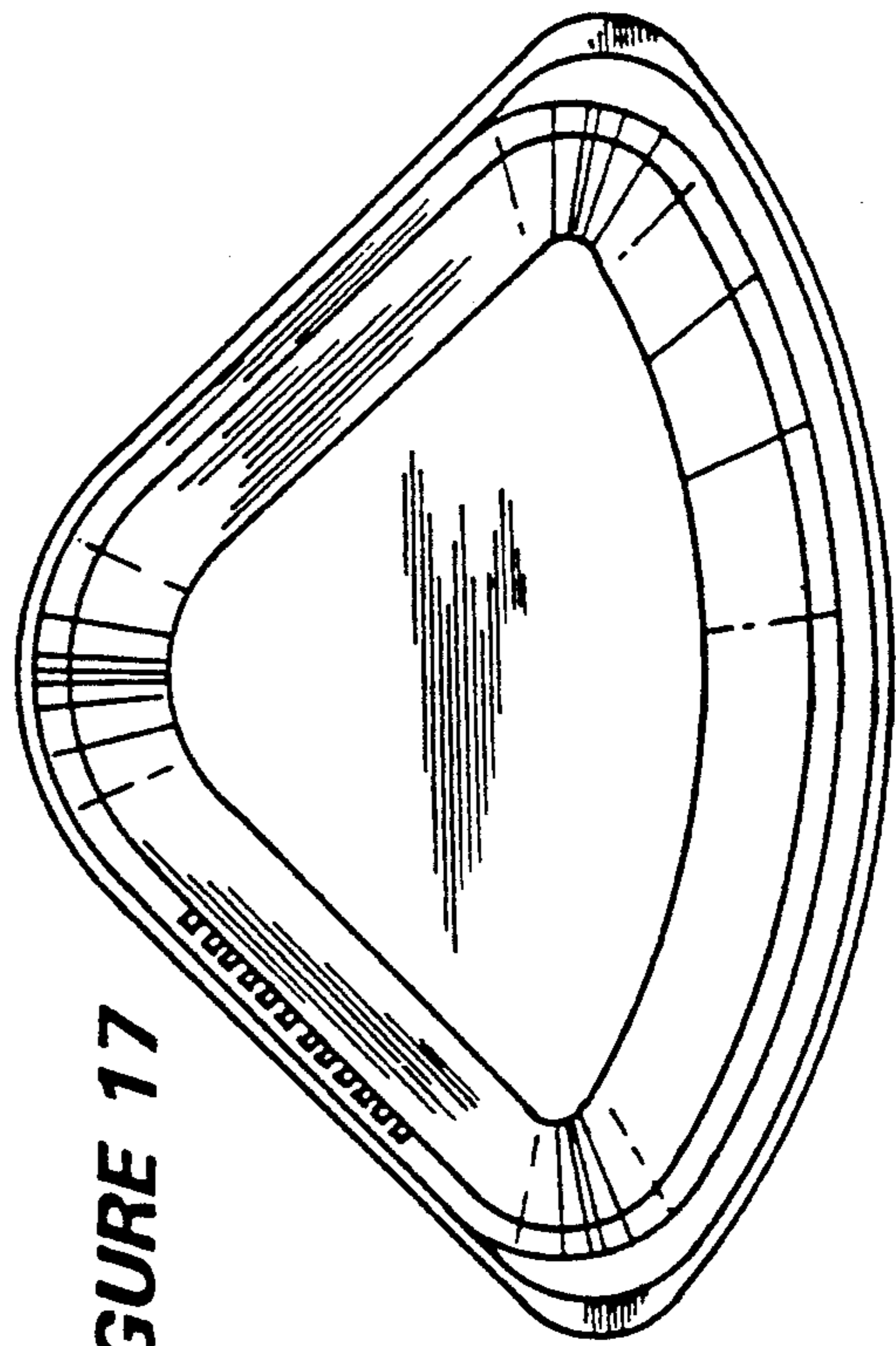


FIGURE 17

FIGURE 21

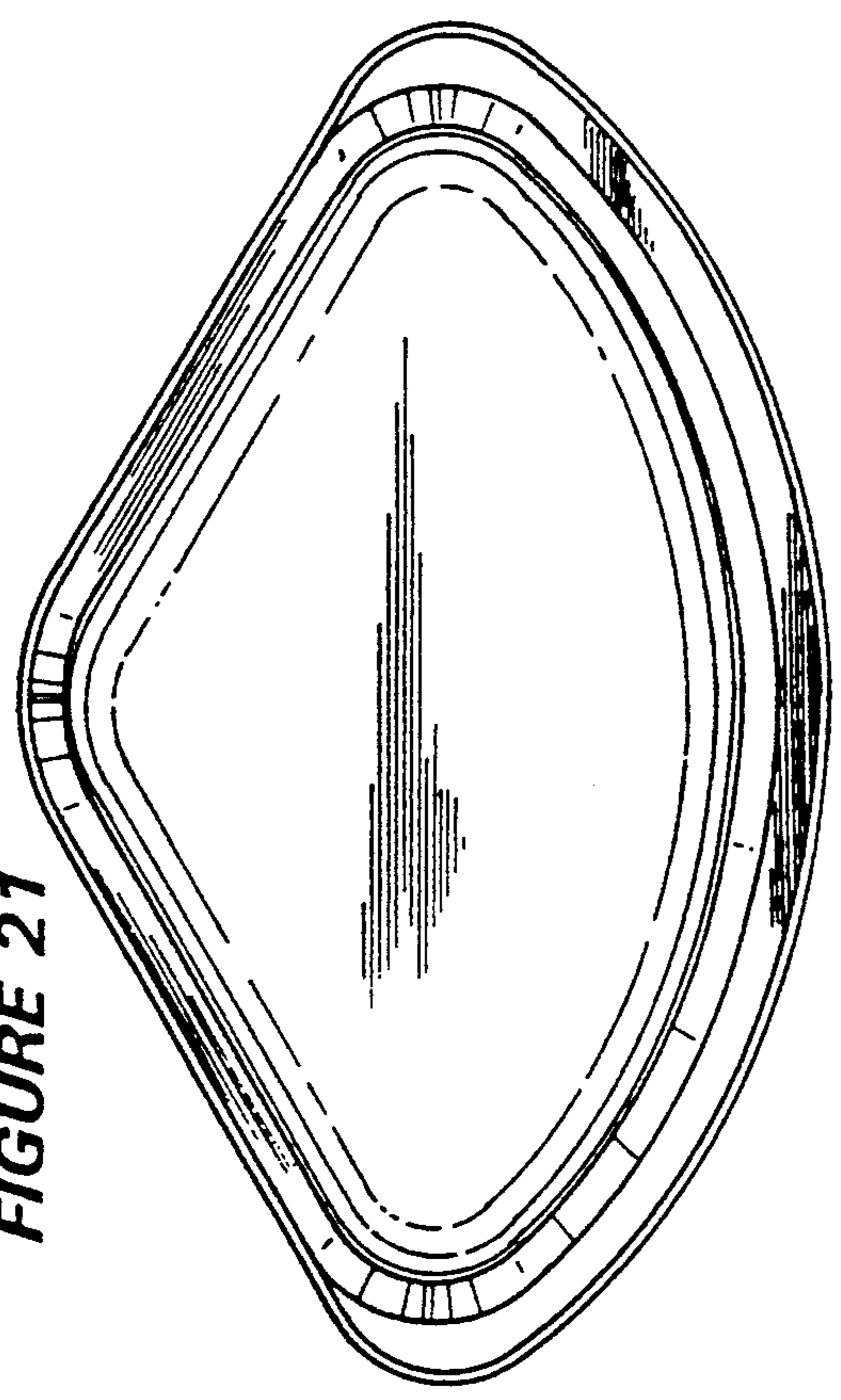


FIGURE 23

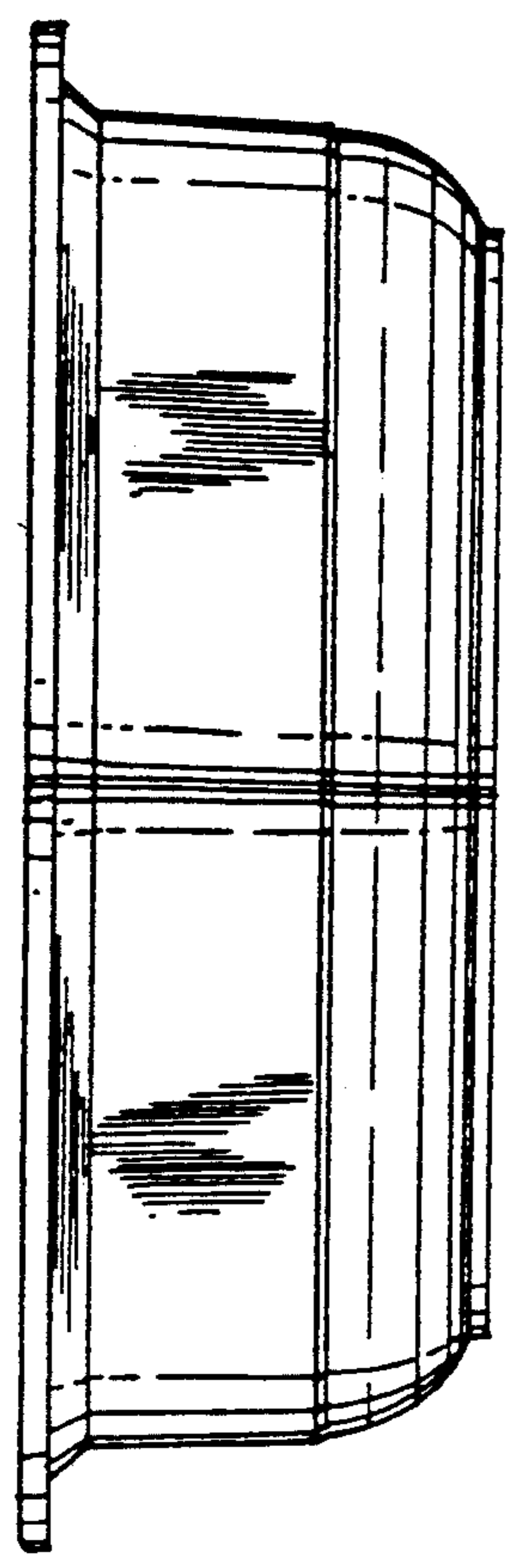


FIGURE 24

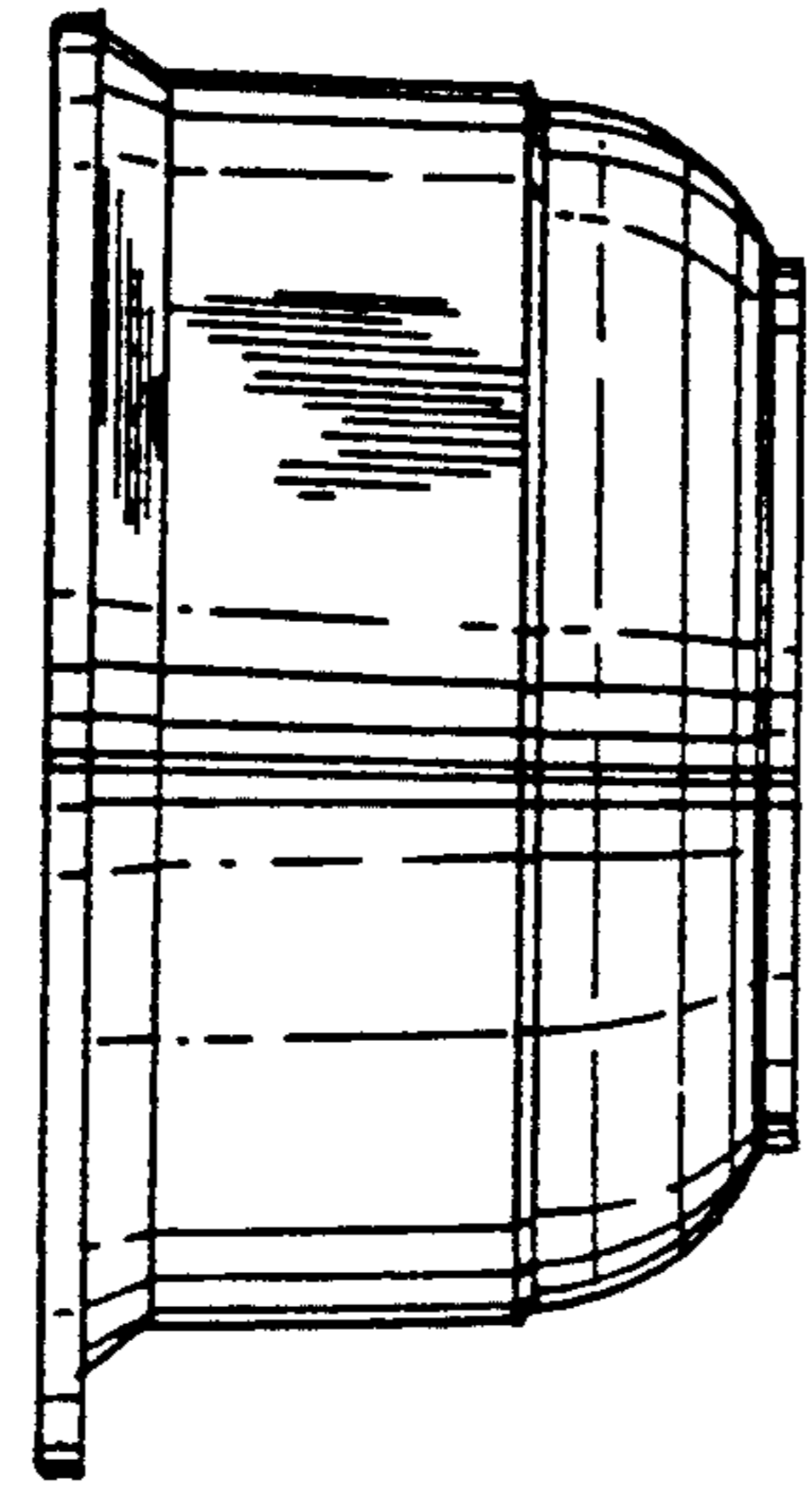


FIGURE 22

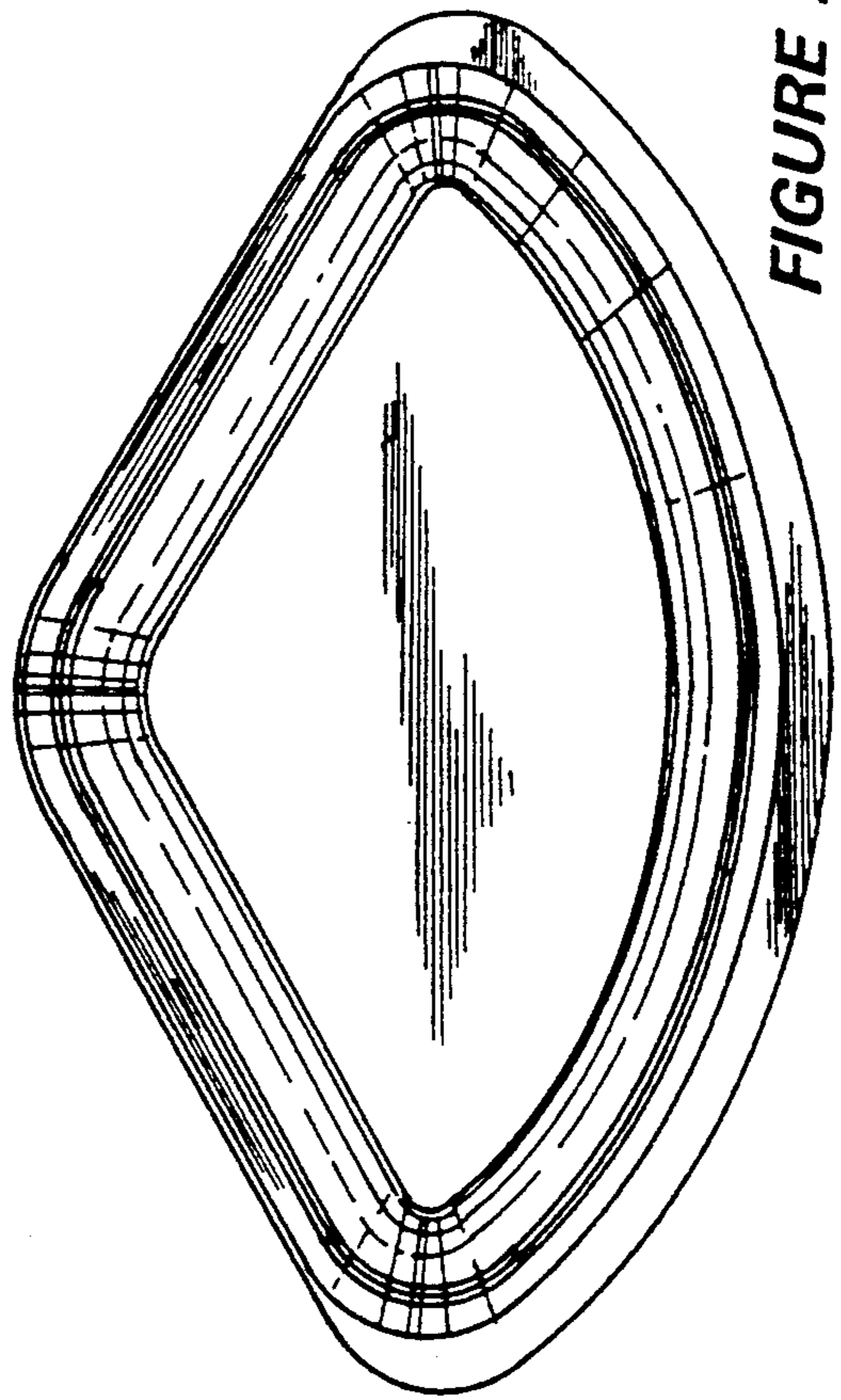
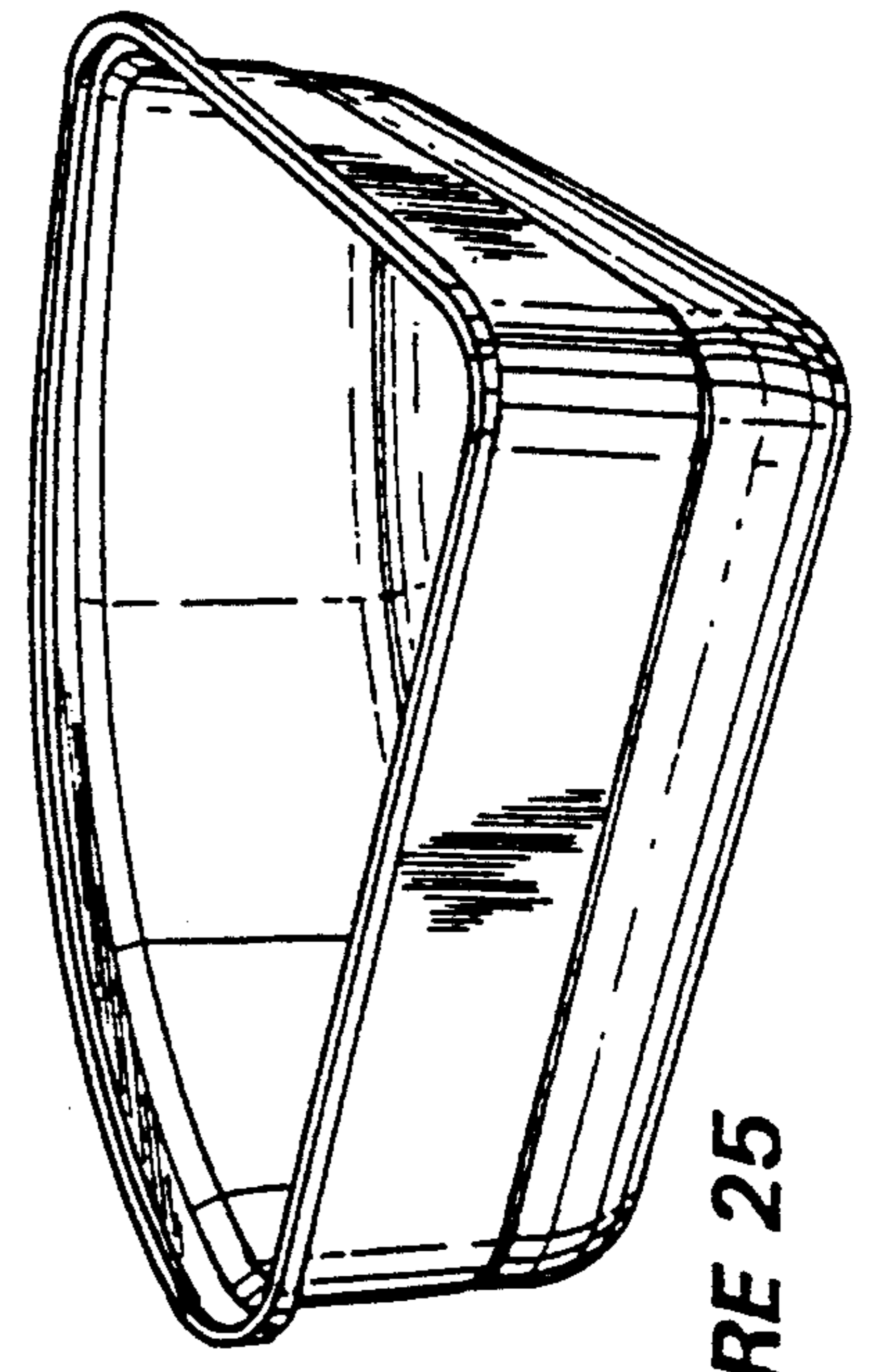


FIGURE 25



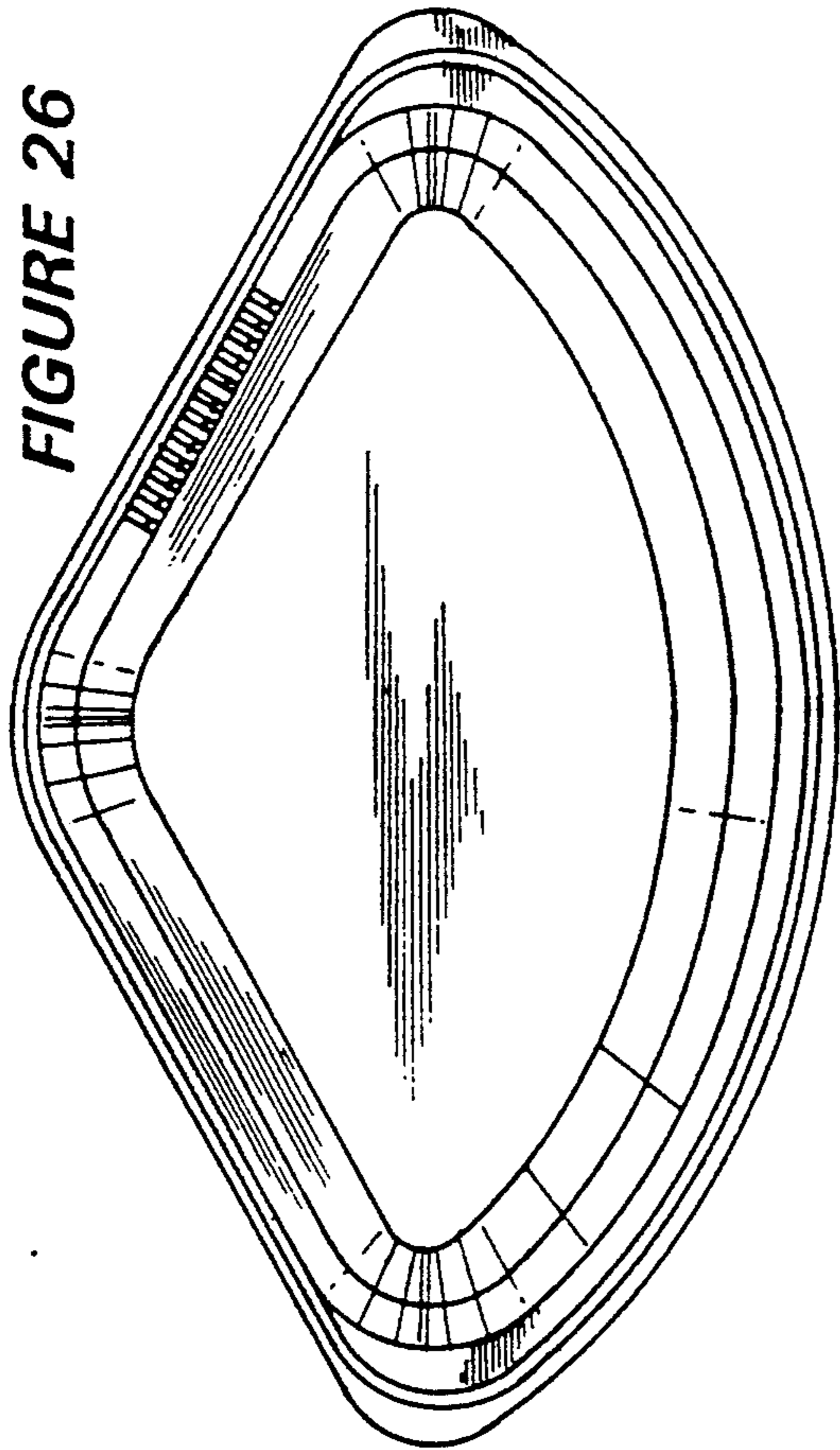


FIGURE 26

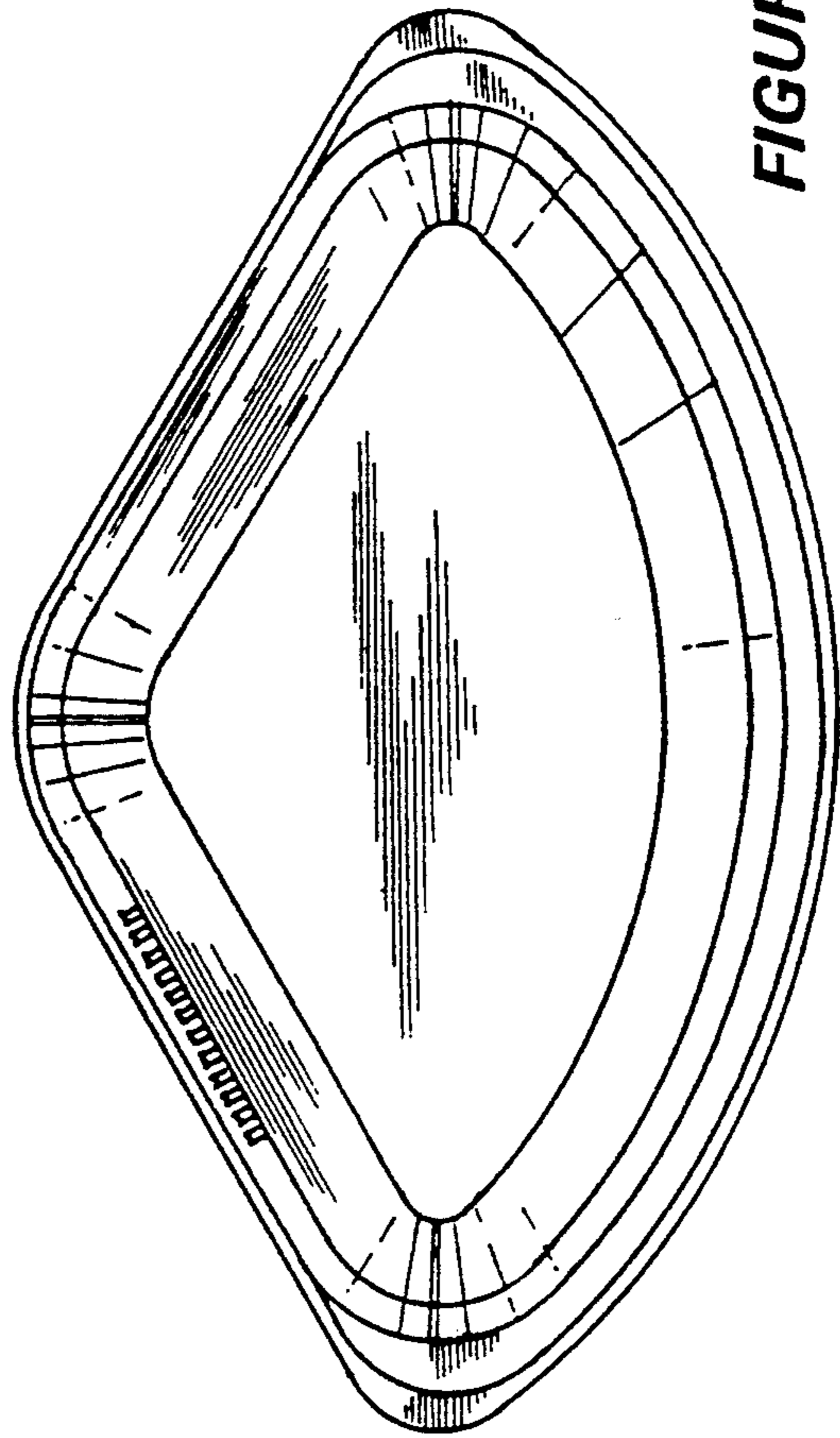


FIGURE 27



FIGURE 28



FIGURE 29

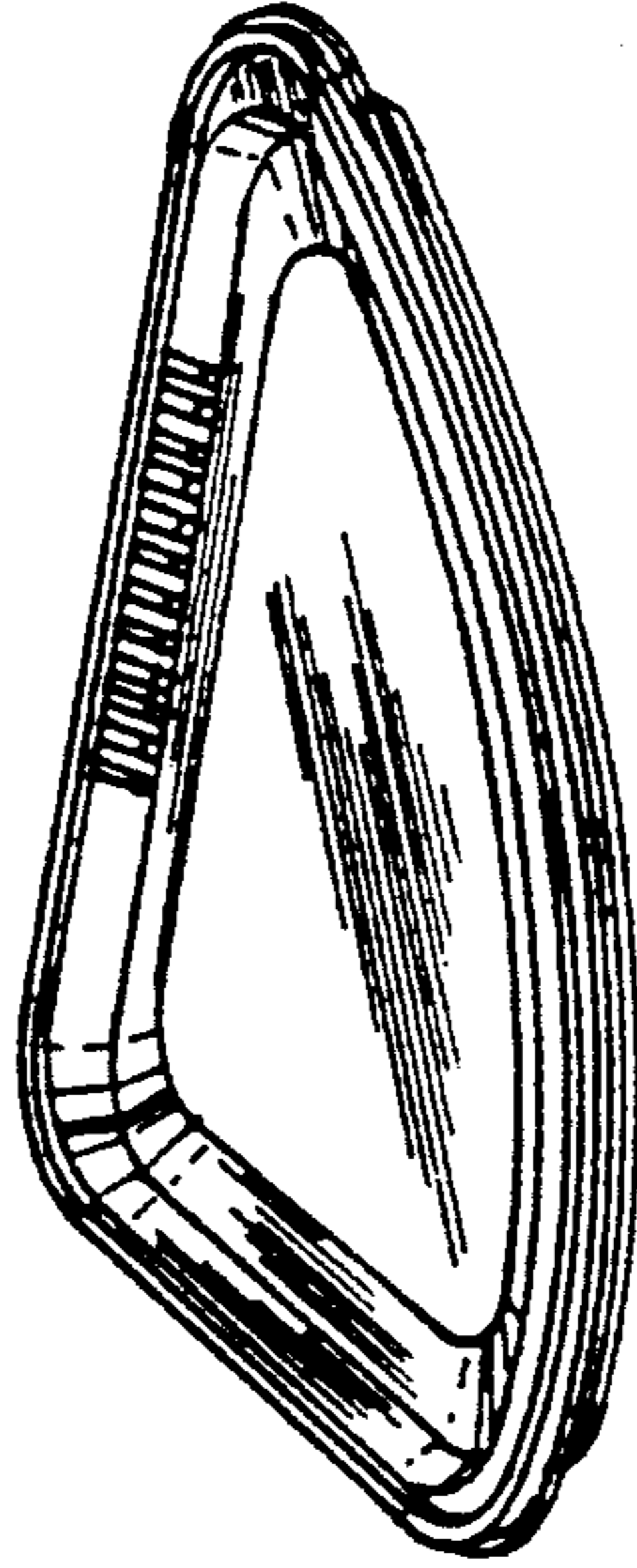


FIGURE 30

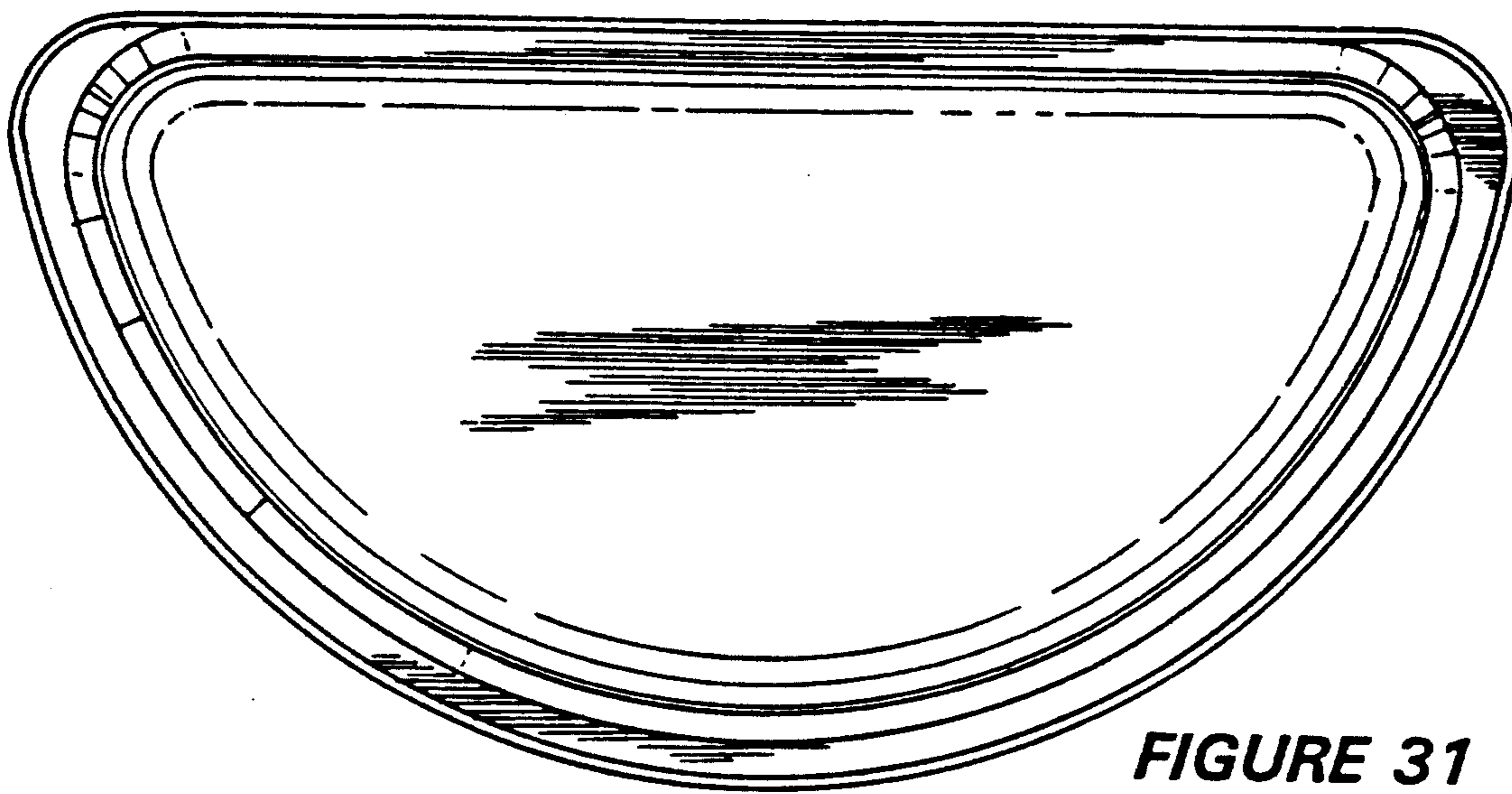


FIGURE 31

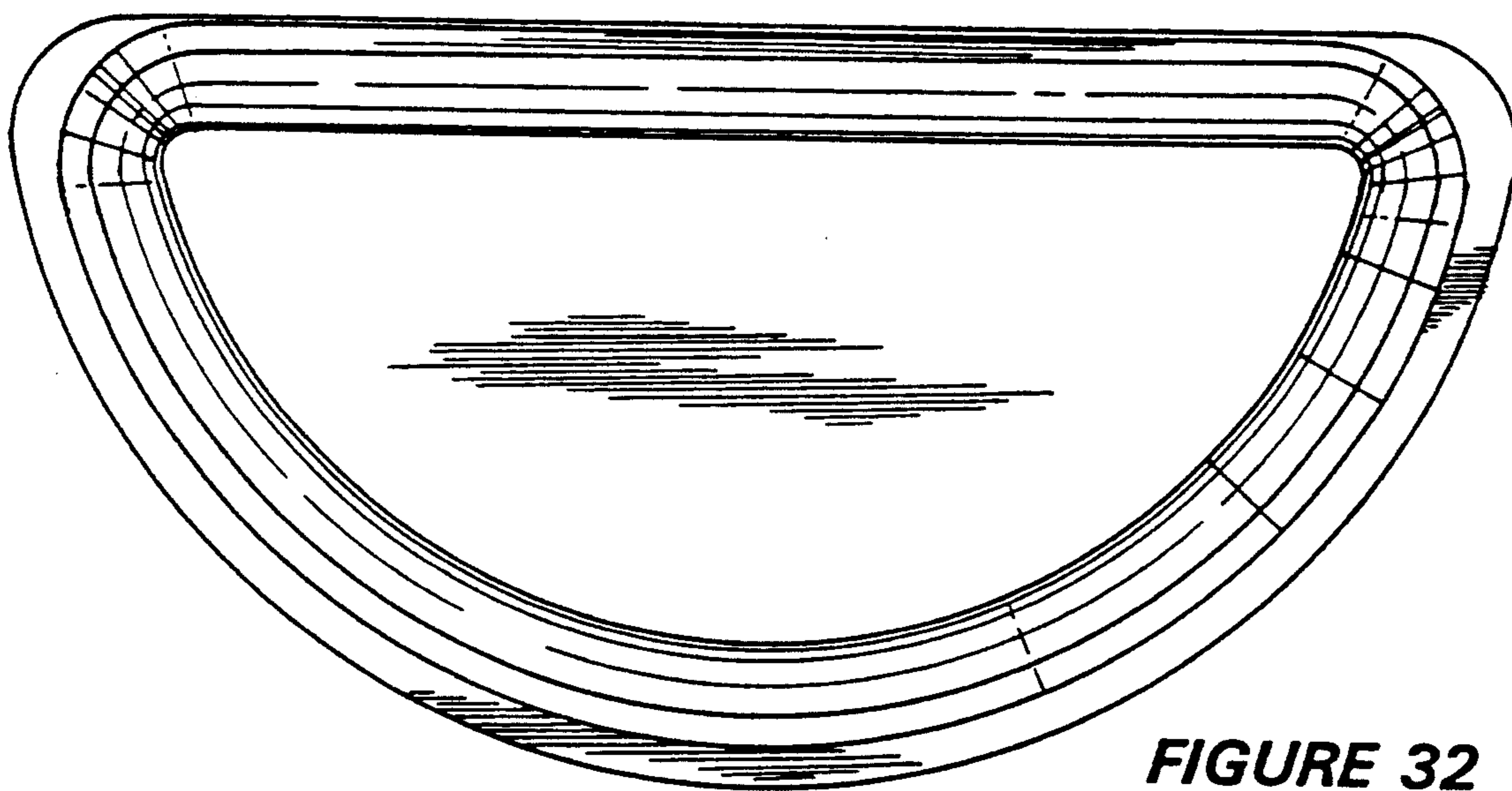


FIGURE 32

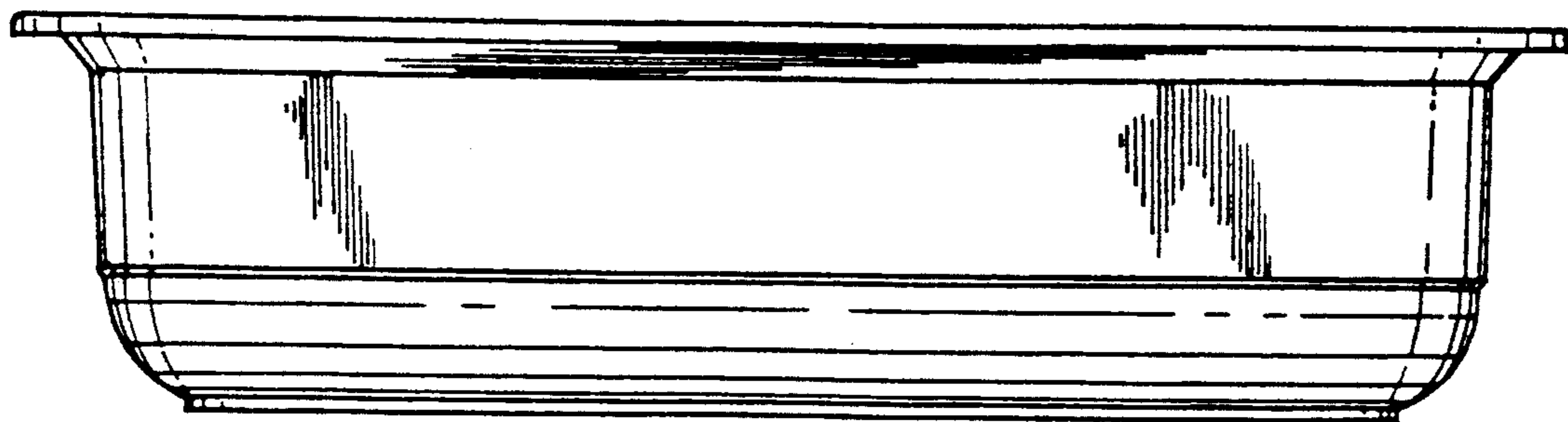


FIGURE 33

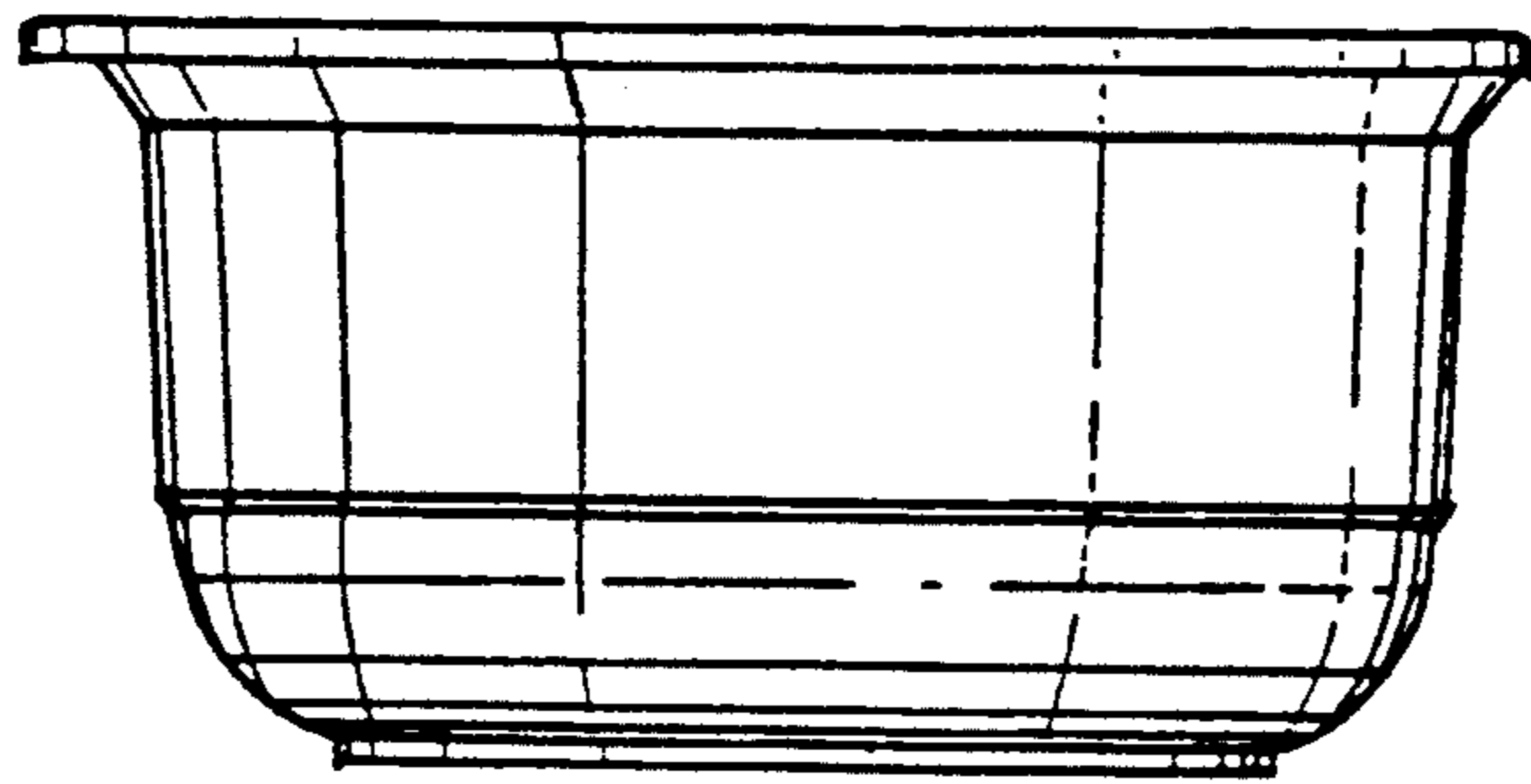


FIGURE 34

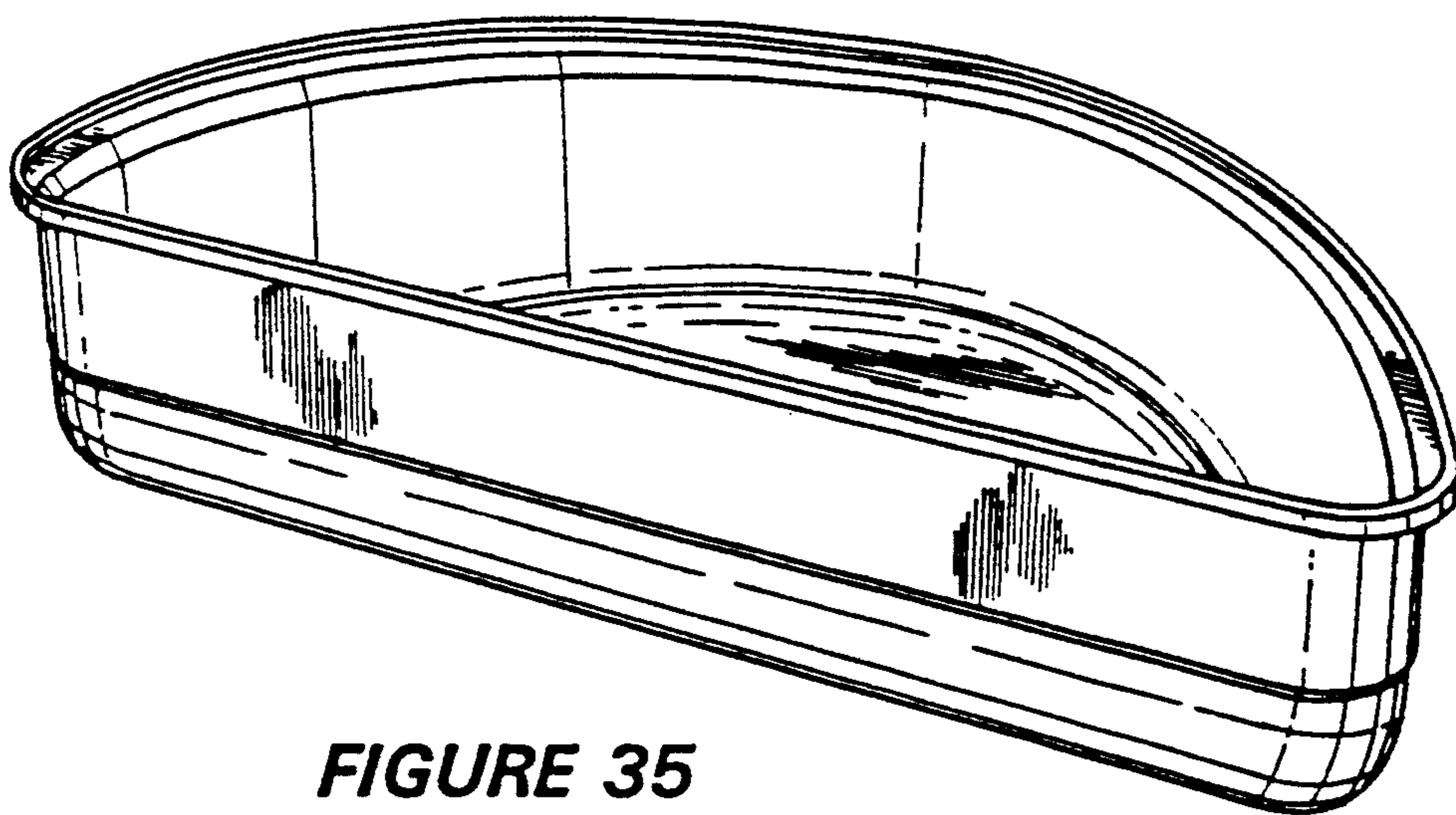


FIGURE 35

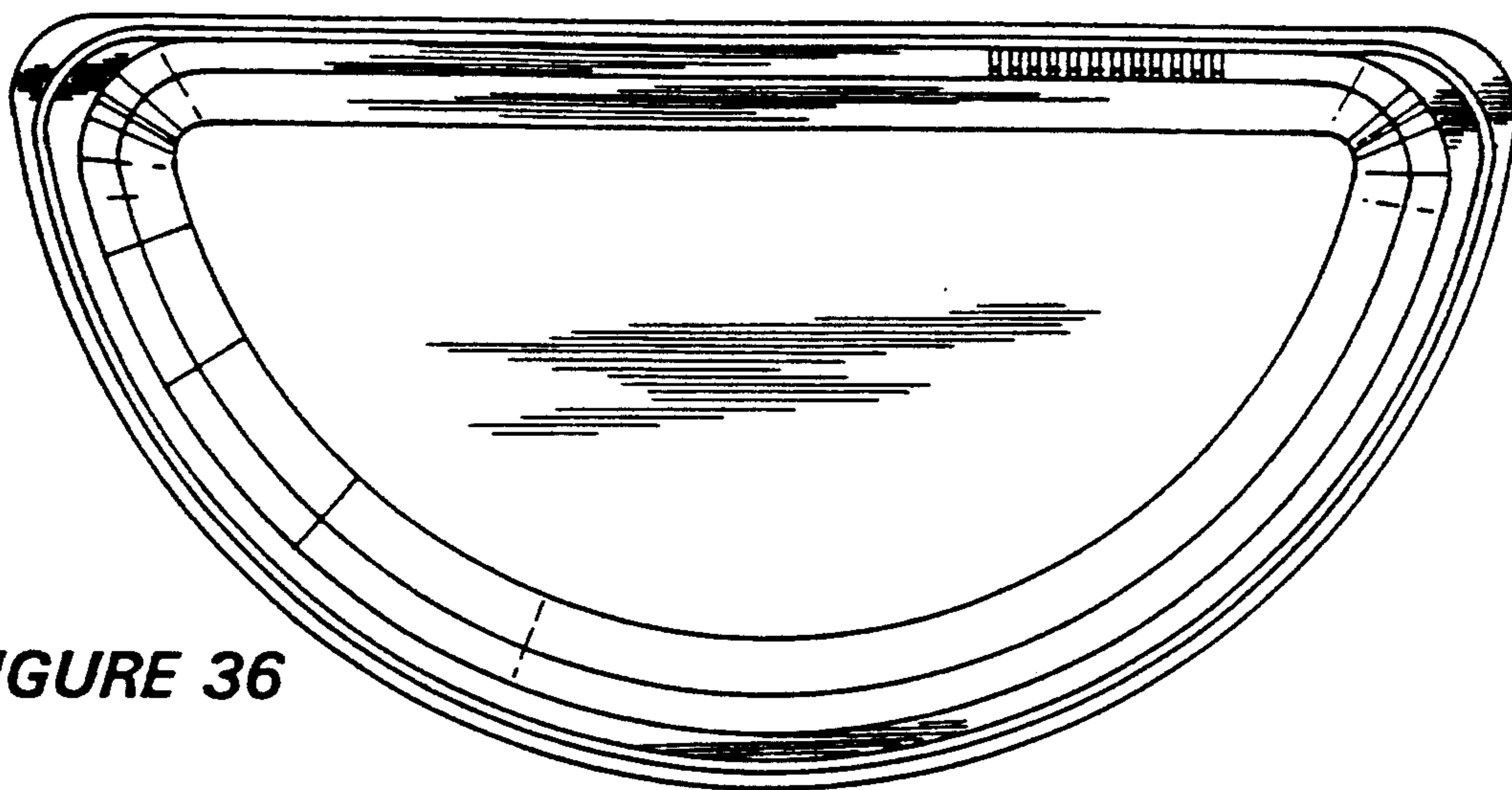


FIGURE 36

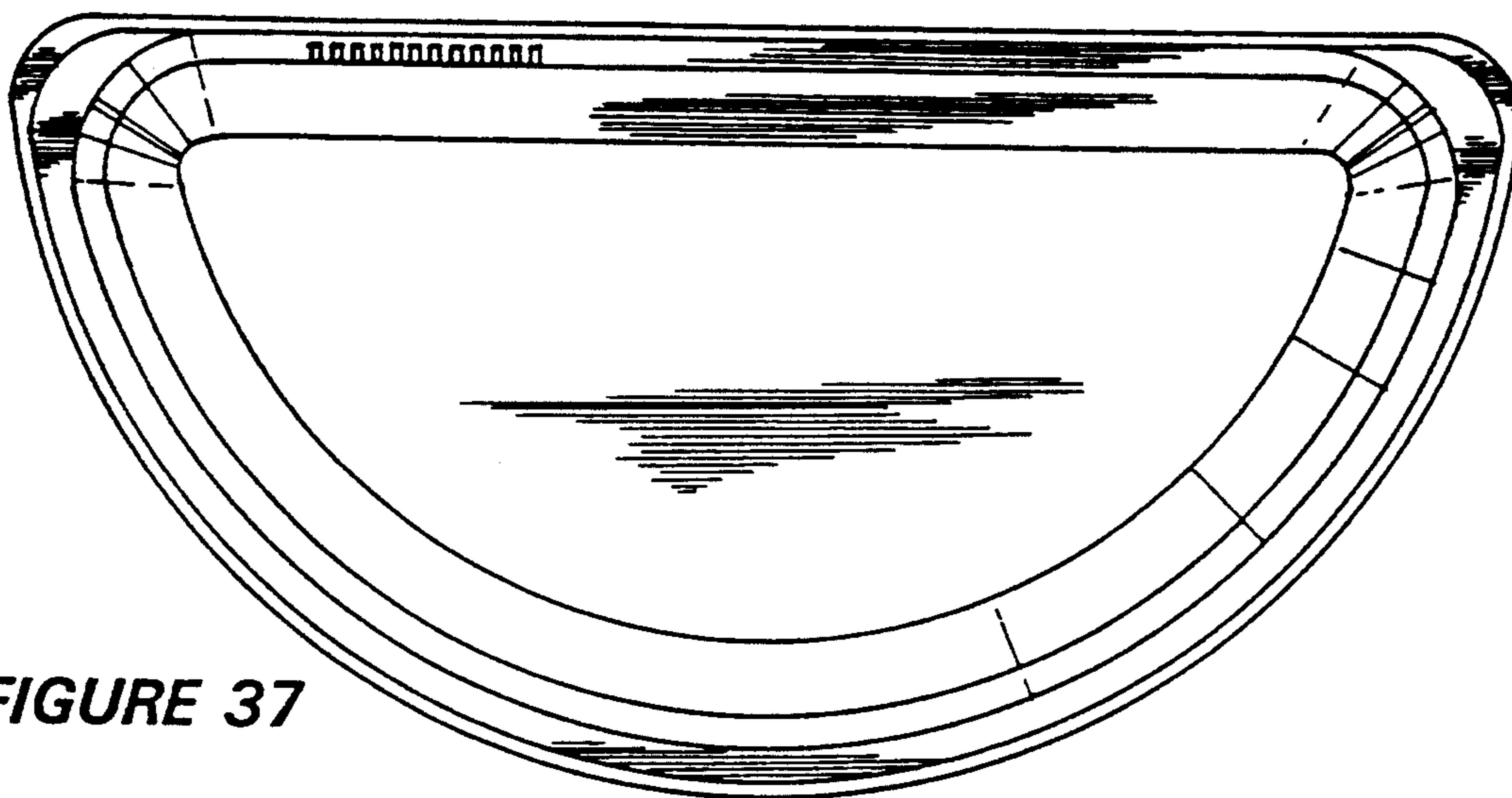


FIGURE 37

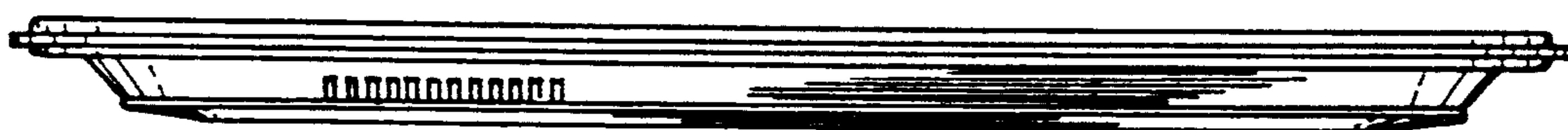


FIGURE 38

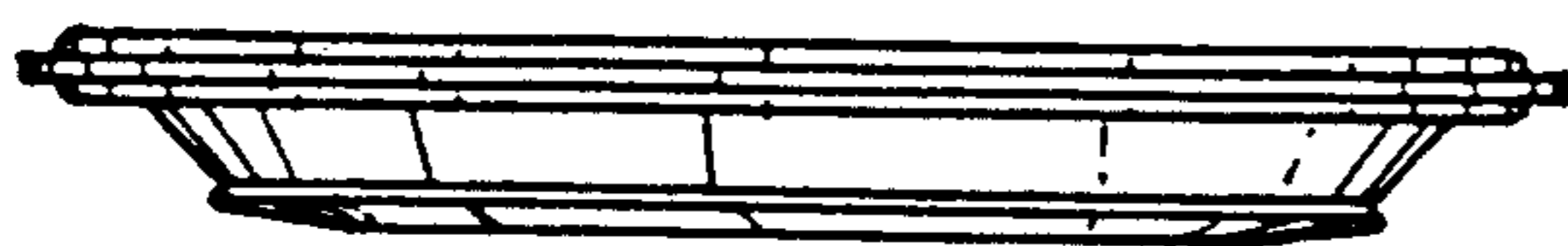


FIGURE 39

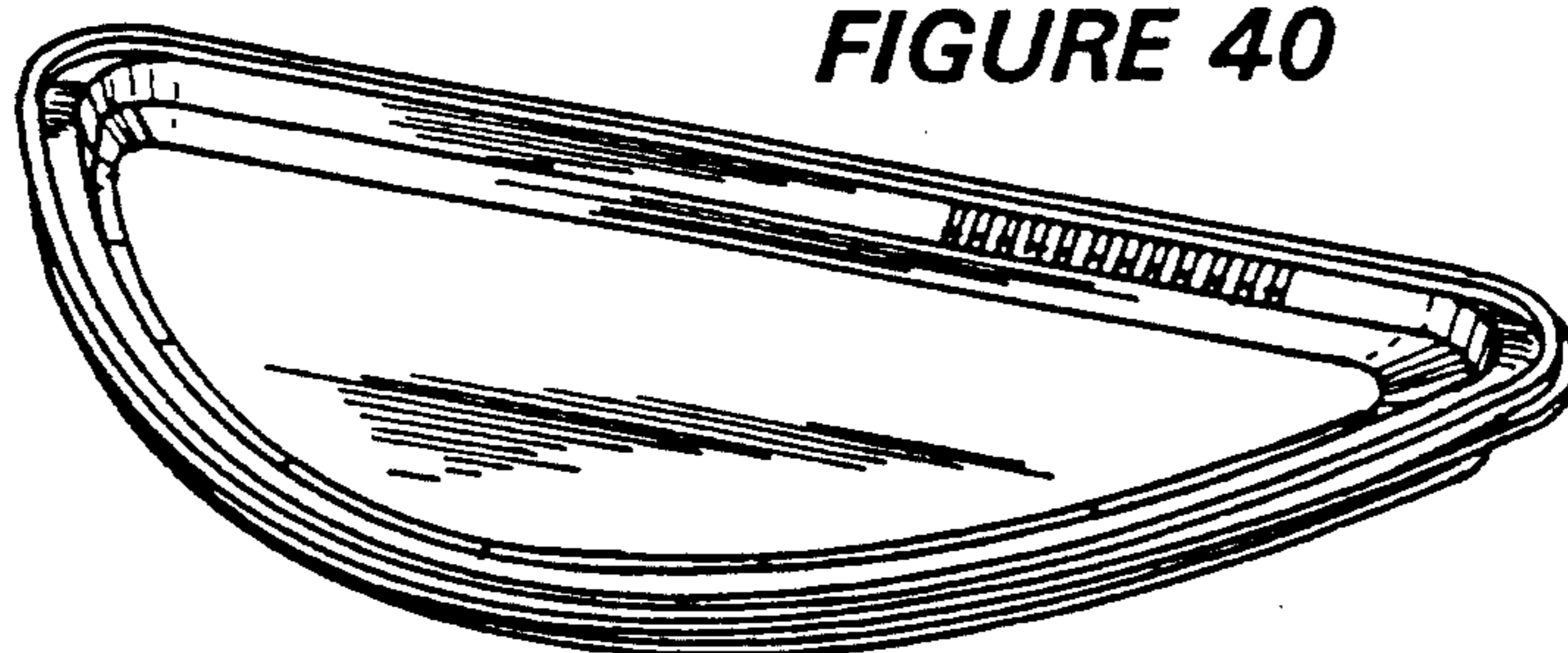


FIGURE 40

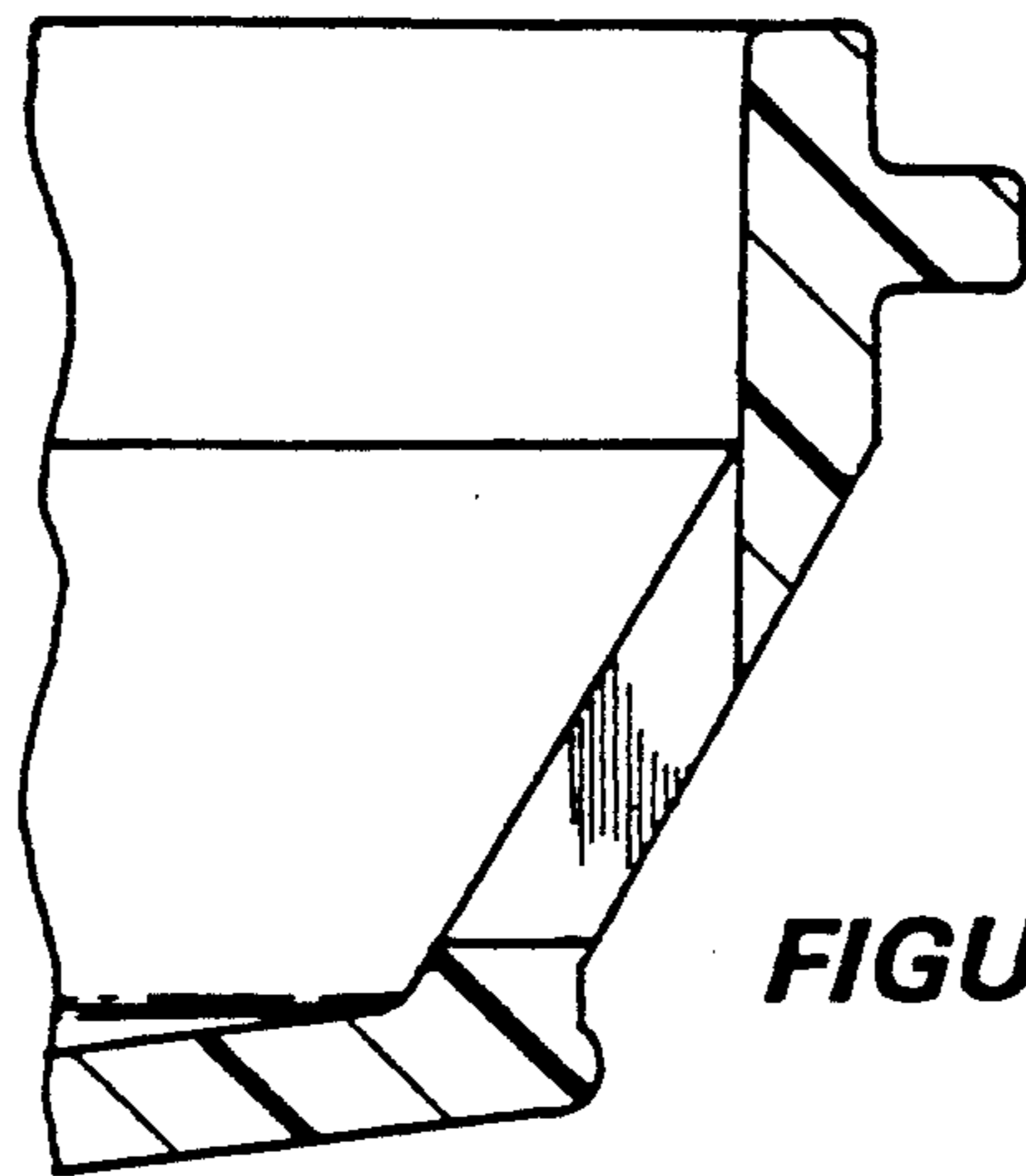


FIGURE 41