



US00D341538S

United States Patent [19]
Paul

[11] **Patent Number: Des. 341,538**

[45] **Date of Patent: ** Nov. 23, 1993**

[54] **PICTURE HANGING BRACKET**

[75] **Inventor: Jeffrey A. Paul, 2027 W. 233rd St., Torrance, Calif. 90501**

[73] **Assignee: Jeffrey A. Paul, Torrance, Calif.**

[**] **Term: 14 Years**

[21] **Appl. No.: 881,148**

[22] **Filed: May 11, 1992**

[52] **U.S. Cl. D8/373**

[58] **Field of Search D8/367, 373; D6/300; 248/489, 267, 475**

[56] **References Cited**

U.S. PATENT DOCUMENTS

1,959,745 5/1934 Stout 248/489
5,100,094 3/1992 Handwerges et al. 248/489

Primary Examiner—Wallace R. Burke

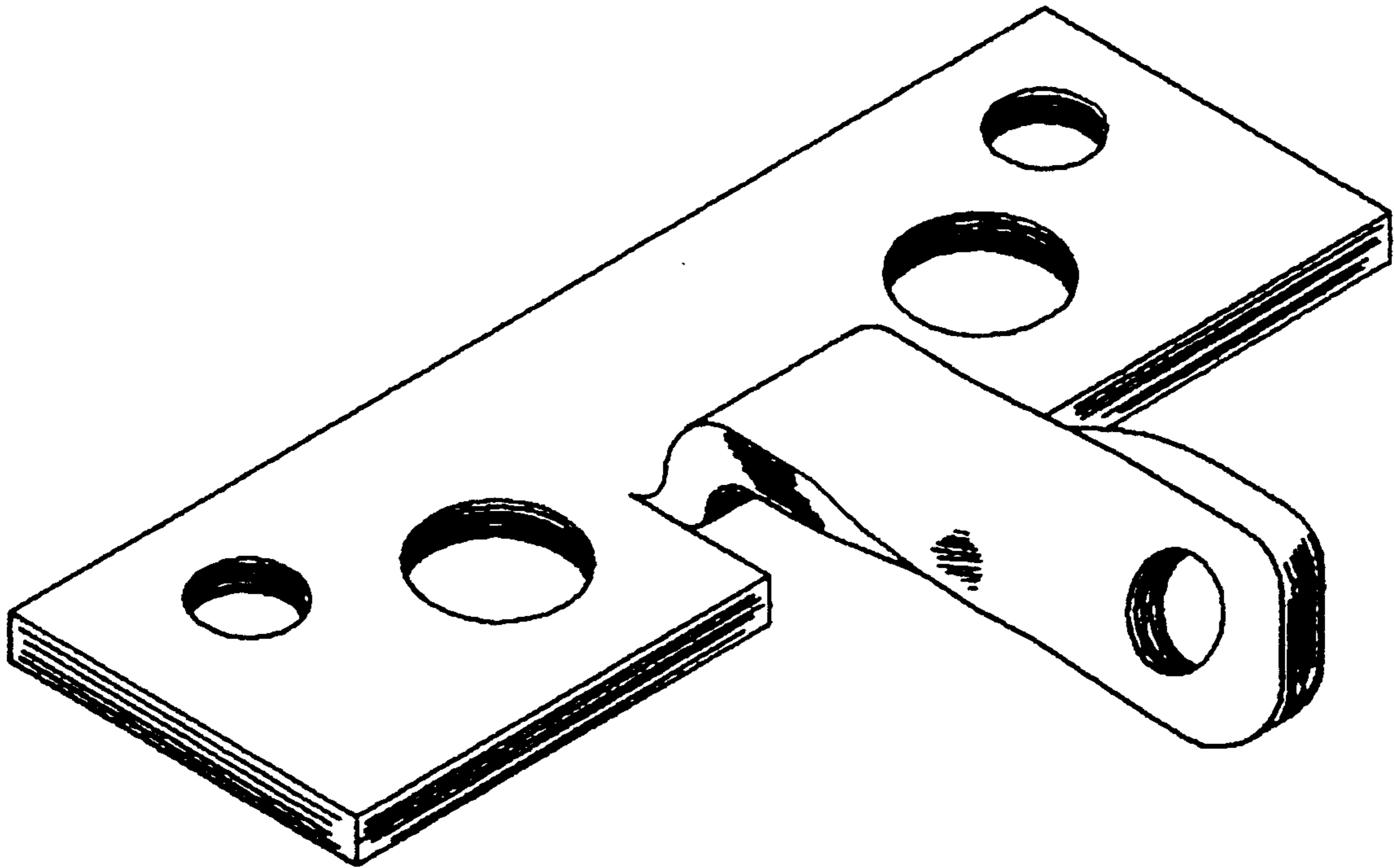
Assistant Examiner—H. Baynham

[57] **CLAIM**

The ornamental design for a picture hanging bracket, as shown.

DESCRIPTION

FIG. 1 is a top plan view of a picture hanging bracket showing my new design with the bottom plan view being a mirror image with the exception of the direction of the twist of the extended element; and, FIG. 2 is a perspective view.



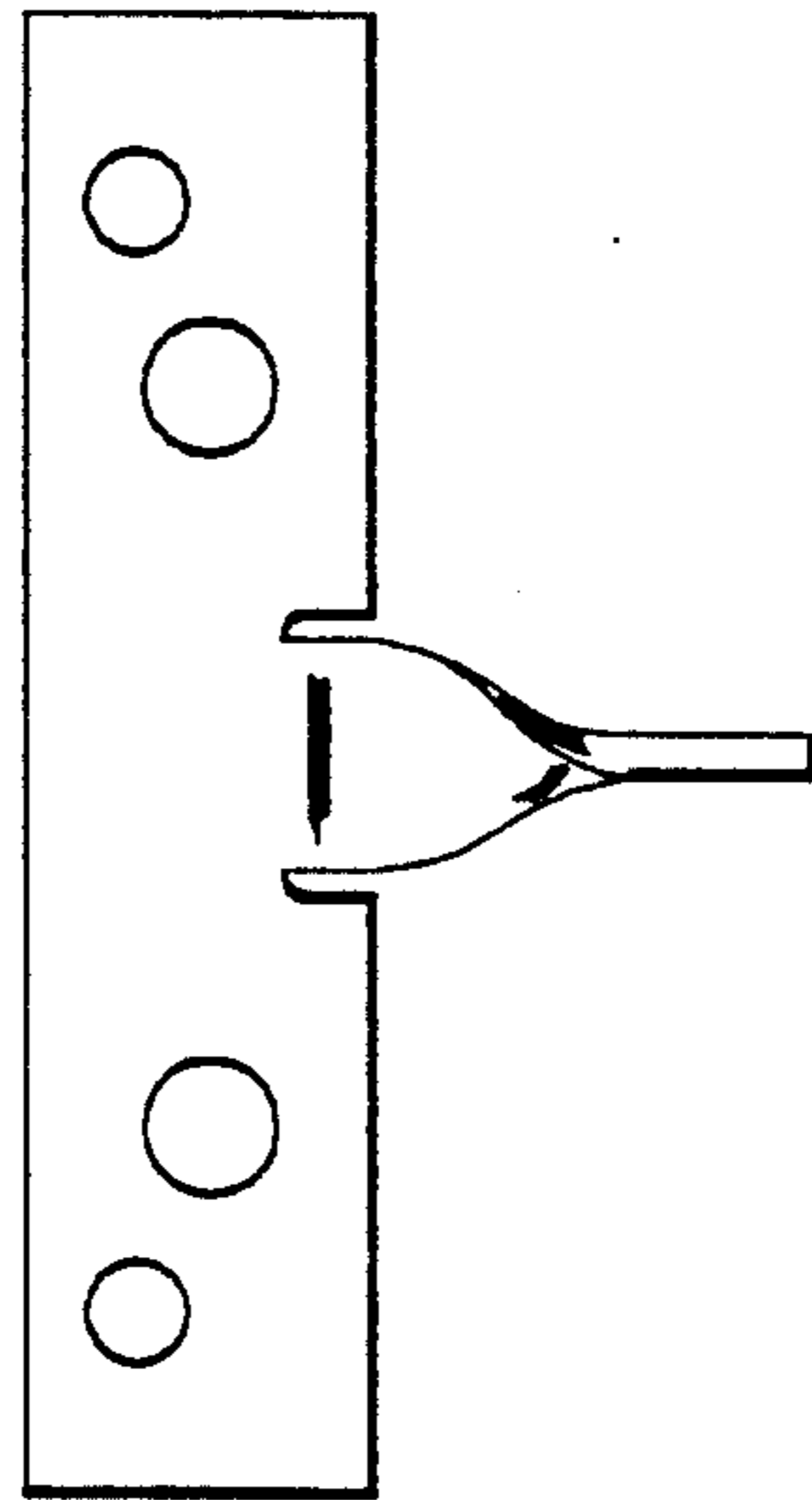


Fig. 1

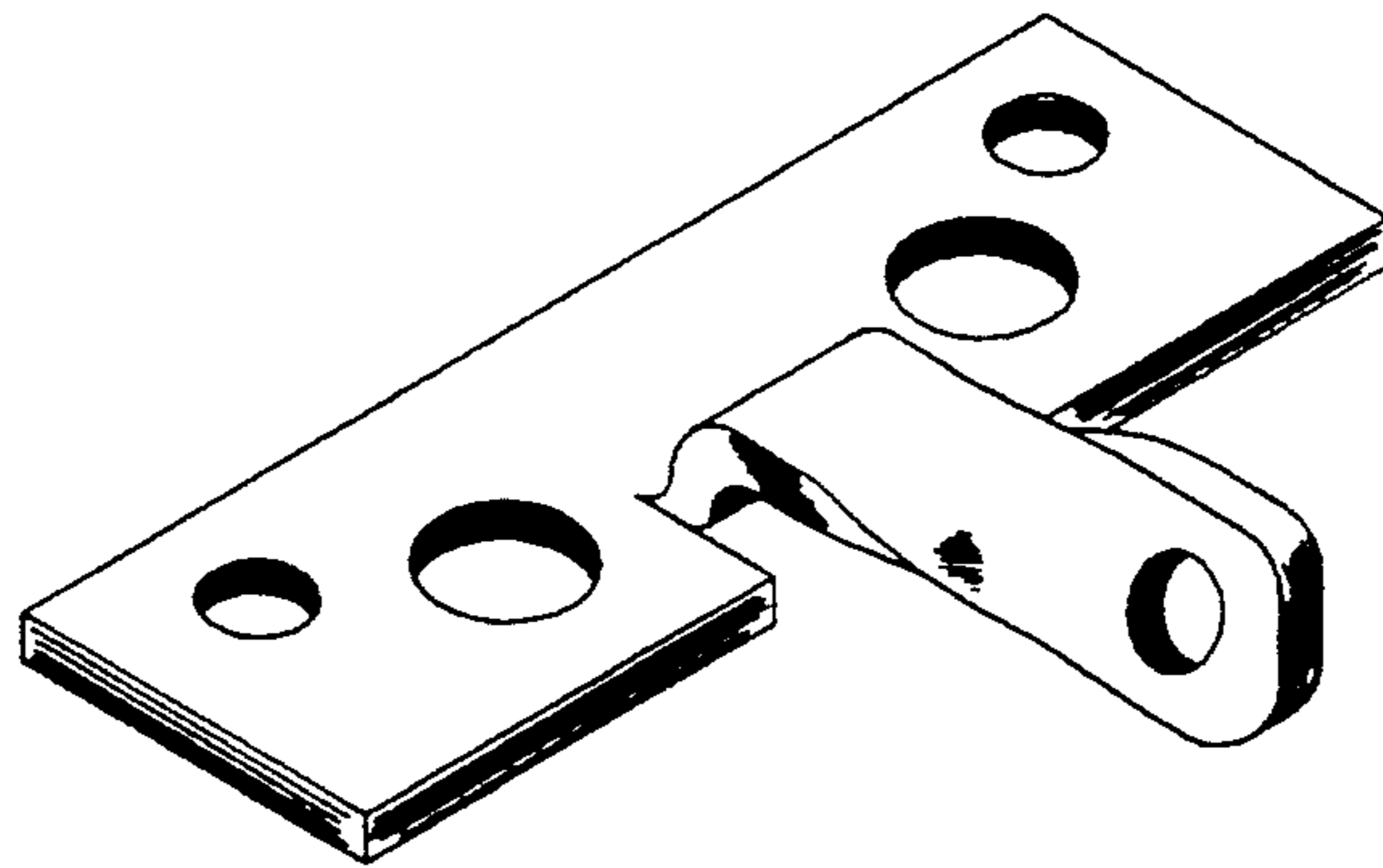


Fig. 2