



US00D341536S

United States Patent [19]

[11] Patent Number: **Des. 341,536**

Fukuda et al.

[45] Date of Patent: **** Nov. 23, 1993**

[54] PORTABLE ELECTRIC SAW

[56] References Cited

[75] Inventors: **Kenji Fukuda**, Tokyo; **Shinichi Miyamoto**, Kyoto, both of Japan

U.S. PATENT DOCUMENTS

D. 302,785	8/1989	Cunningham	D8/64
D. 308,469	6/1990	Fushiya et al.	D8/64
4,020,555	5/1977	Hedrick	30/392
4,864,727	9/1989	Chu	30/392

[73] Assignees: **Nitto Kohko Co., Ltd.**, Tokyo; **Japan Storage Battery Co., Ltd.**, Kyoto, both of Japan

Primary Examiner—Alan P. Douglas
Assistant Examiner—J. H. Musgrove
Attorney, Agent, or Firm—Jacobson, Price, Holman & Stern

[**] Term: **14 Years**

[57] CLAIM

[21] Appl. No.: **784,479**

The ornamental design for a portable electric saw, as shown and described.

[22] Filed: **Nov. 1, 1991**

DESCRIPTION

[30] Foreign Application Priority Data

May 1, 1991 [JP]	Japan	3-12917
[52] U.S. Cl.	D8/64	
[58] Field of Search	D8/61, 64; 30/392, 393,	30/394

FIG. 1 is a perspective view of a portable electric saw showing our new design;
FIG. 2 is a top view thereof;
FIG. 3 is a bottom view thereof;
FIG. 4 is a front view thereof;
FIG. 5 is a right side view thereof;
FIG. 6 is a left side view thereof; and,
FIG. 7 is a rear view thereof.

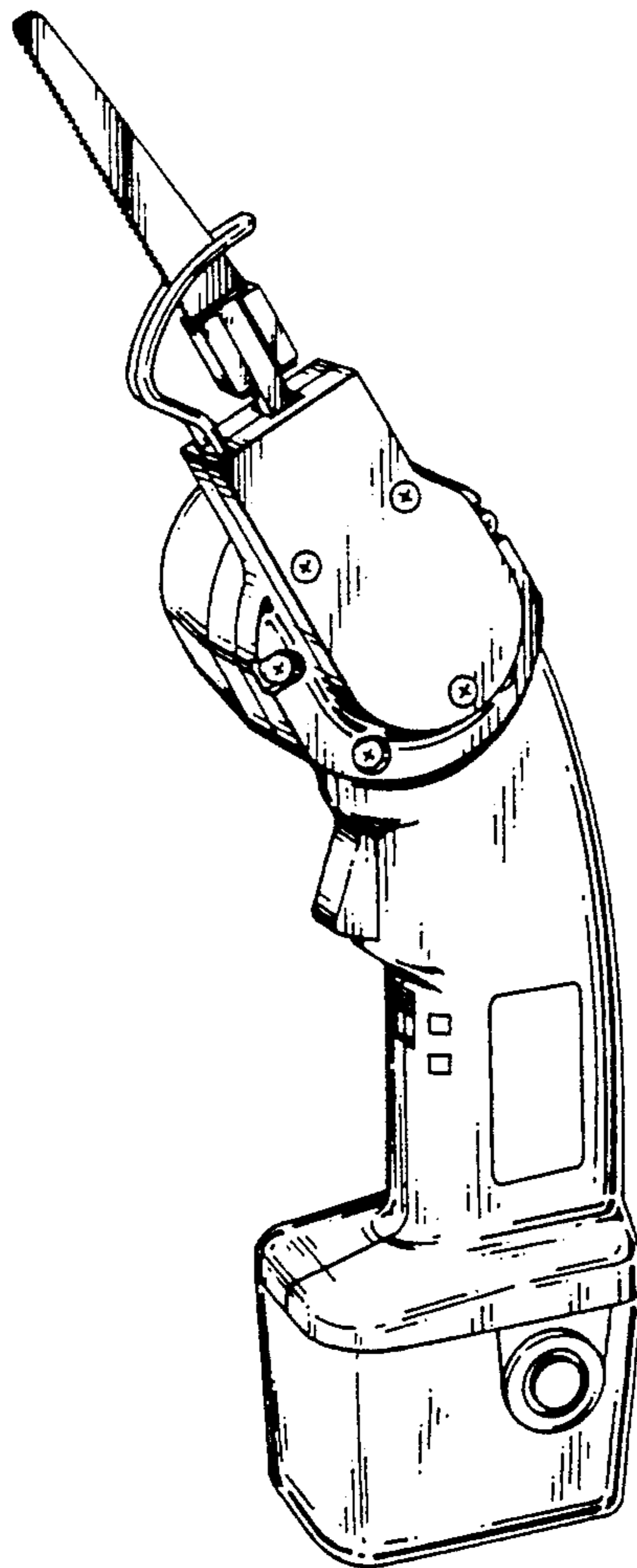
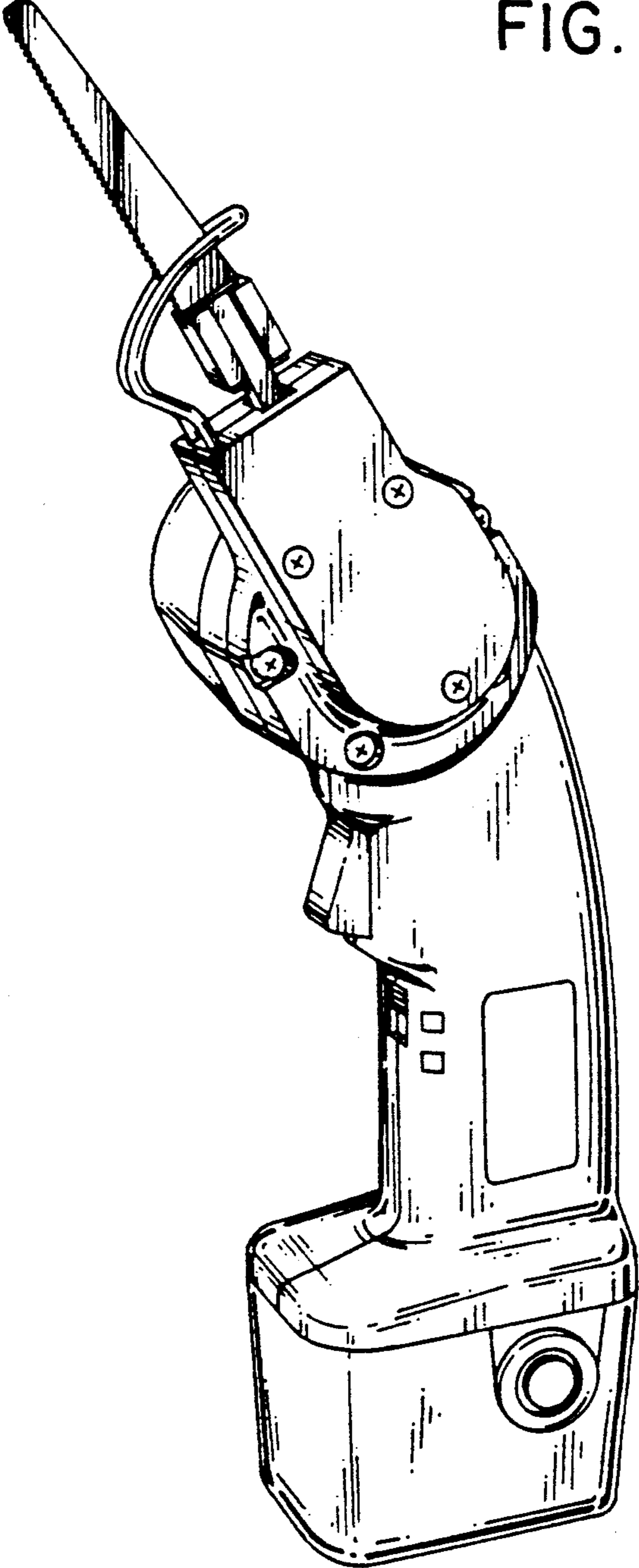


FIG. 1



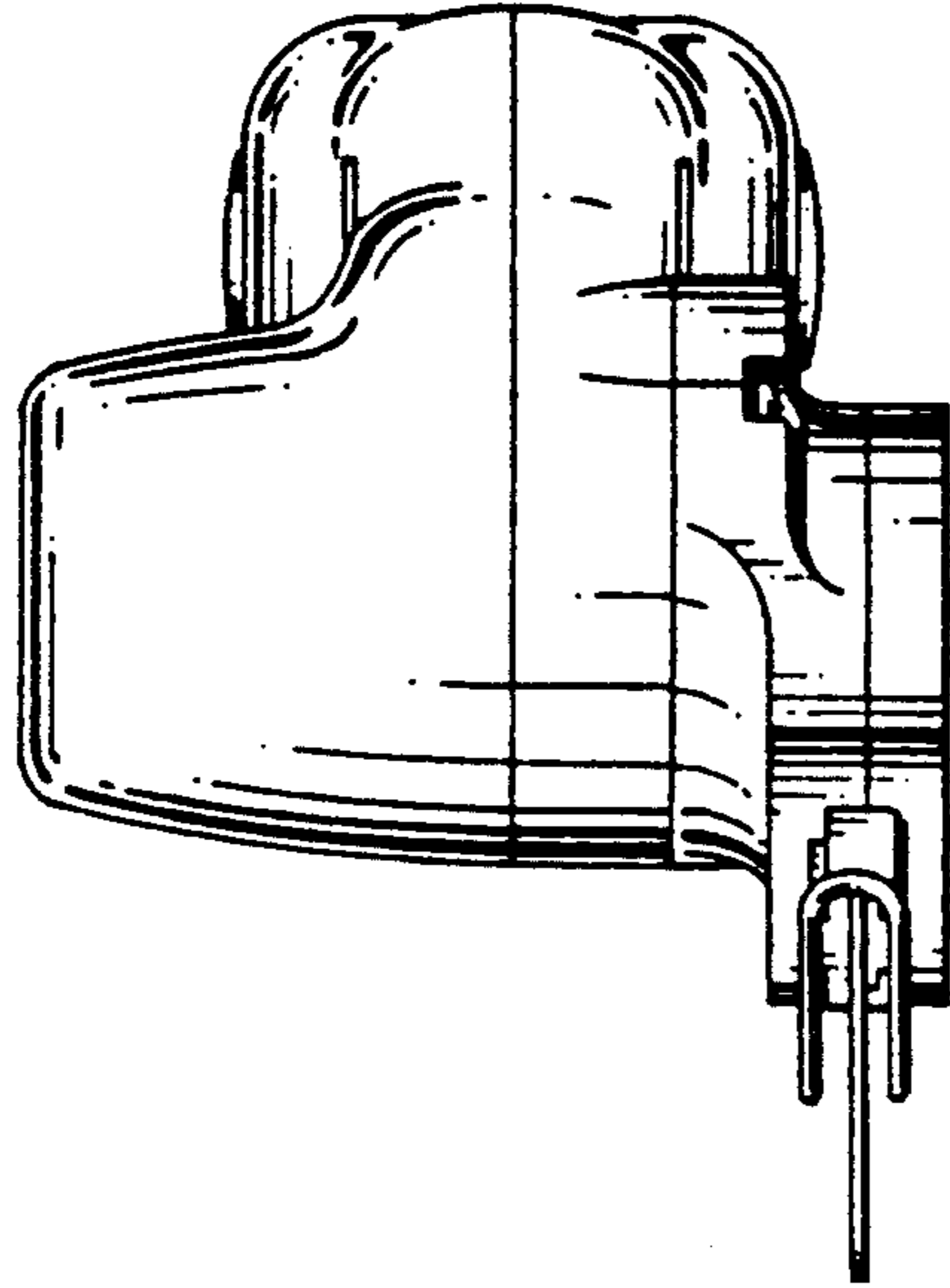


FIG. 2

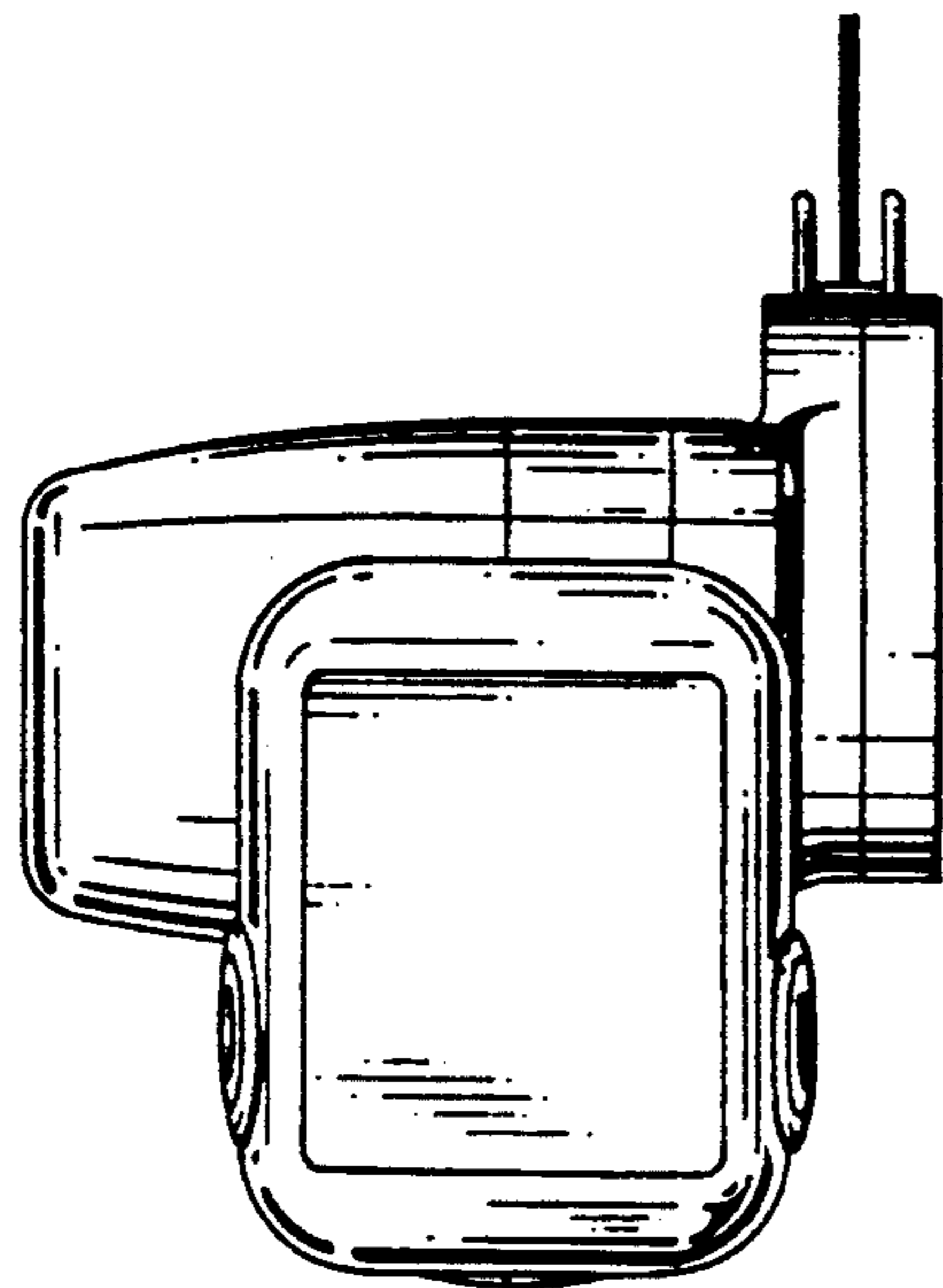


FIG. 3

FIG. 4

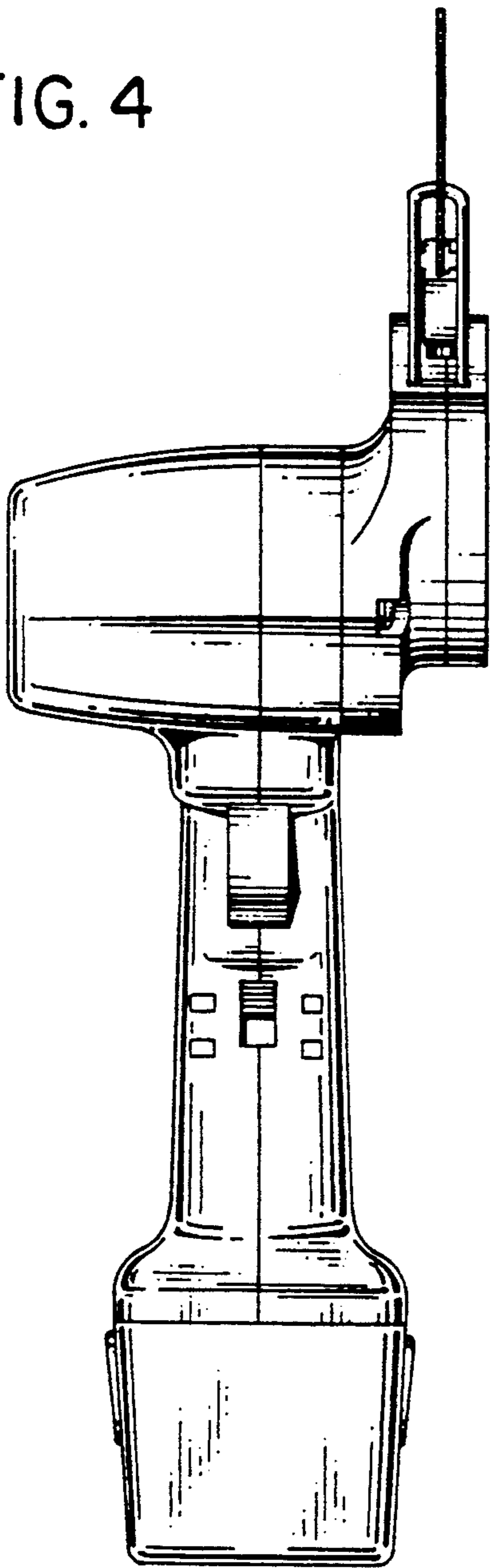


FIG. 5

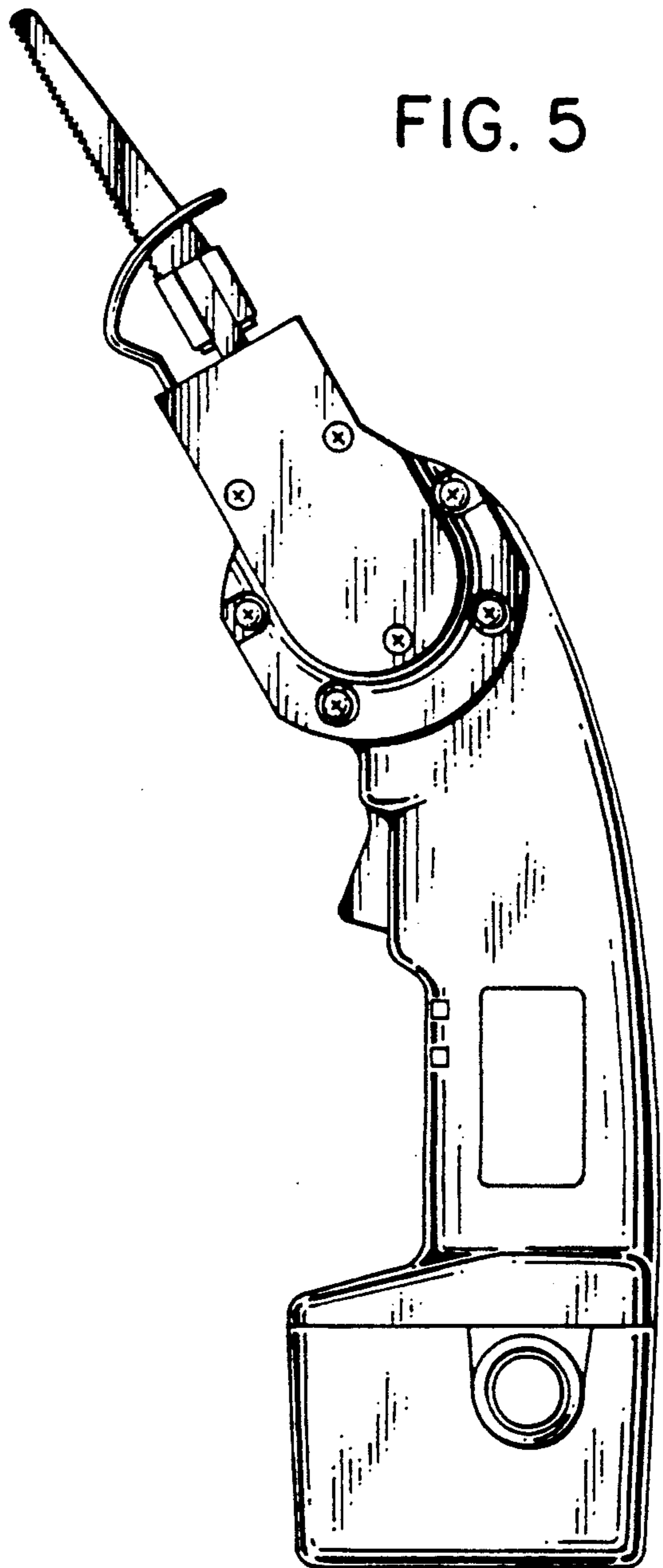


FIG. 6

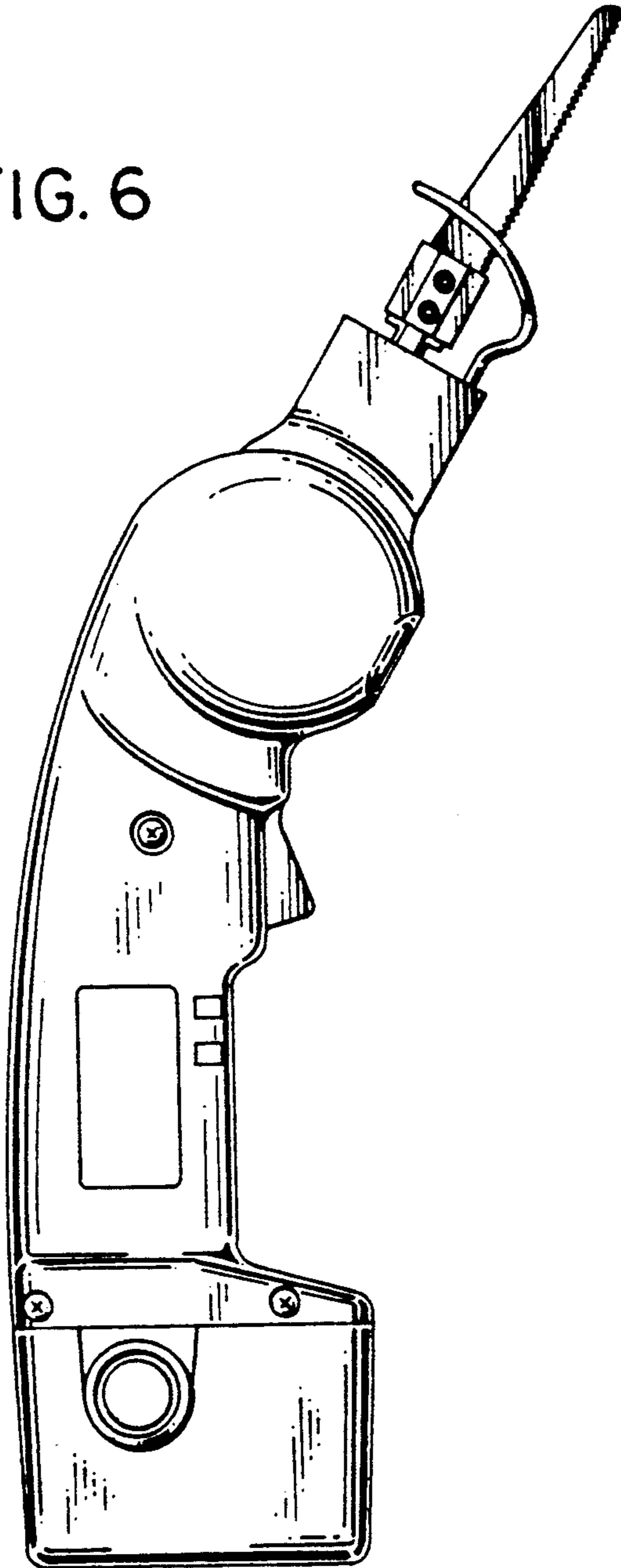


FIG. 7

