



US00D341533S

United States Patent [19]

[11] Patent Number: **Des. 341,533**

Karafuji et al.

[45] Date of Patent: **** Nov. 23, 1993**

[54] **PORTABLE ELECTRIC HAMMER DRILL**

[75] Inventors: **Nobuhiko Karafuji; Masakazu Sakamoto**, both of Tokyo, Japan

[73] Assignee: **Ryobi Ltd.**, Hiroshima, Japan

[**] Term: **14 Years**

[21] Appl. No.: **862,257**

[22] Filed: **Apr. 2, 1992**

[30] **Foreign Application Priority Data**

Oct. 30, 1991 [JP] Japan 3-33113

[52] U.S. Cl. **D8/69**

[58] Field of Search D8/61, 68, 69;
81/57.11, 57.13; 173/90-93.7, 170, 48; 408/124,
125

[56] **References Cited**

U.S. PATENT DOCUMENTS

D. 301,967 7/1989 Sakamoto et al. D8/69

D. 320,918 10/1991 Mochida D8/68 X

D. 328,556 8/1992 Fushiya et al. D8/68

FOREIGN PATENT DOCUMENTS

420927 4/1976 Japan .

562326 10/1981 Japan .

56559 12/1981 Japan .

Primary Examiner—Alan P. Douglas
Assistant Examiner—J. H. Musgrove
Attorney, Agent, or Firm—Sughrue, Mion, Zinn,
Macpeak & Seas

[57] **CLAIM**

The ornamental design for a portable electric hammer drill, as shown.

DESCRIPTION

FIG. 1 is a top, rear and left side perspective view of a portable electric hammer drill showing our new design; FIG. 2 is a left side elevational view thereof; FIG. 3 is a right side elevational view thereof; FIG. 4 is a top plan view thereof; FIG. 5 is a bottom plan view thereof; FIG. 6 is a front elevational view thereof; and, FIG. 7 is a rear elevational view thereof.

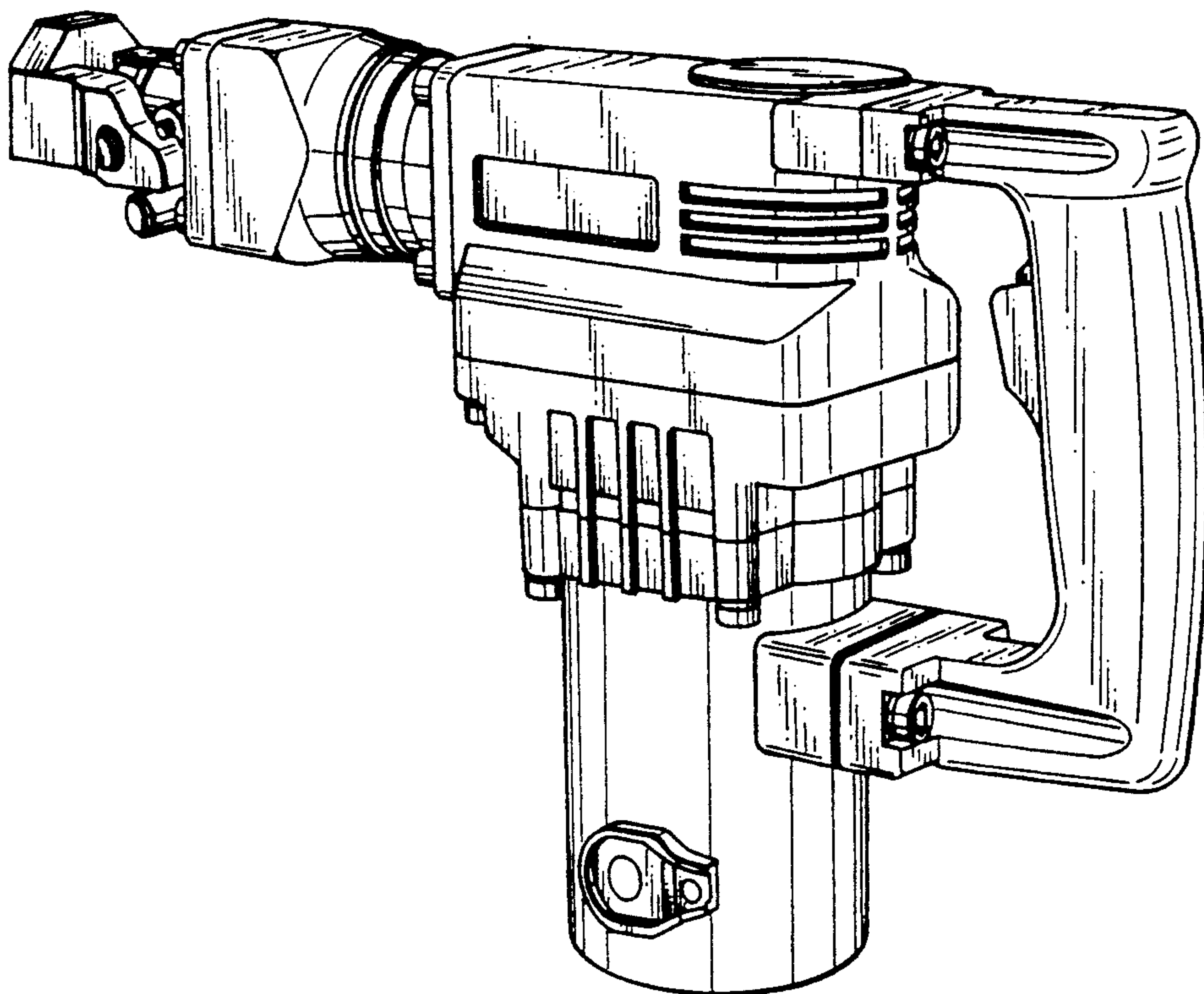


Fig. 1

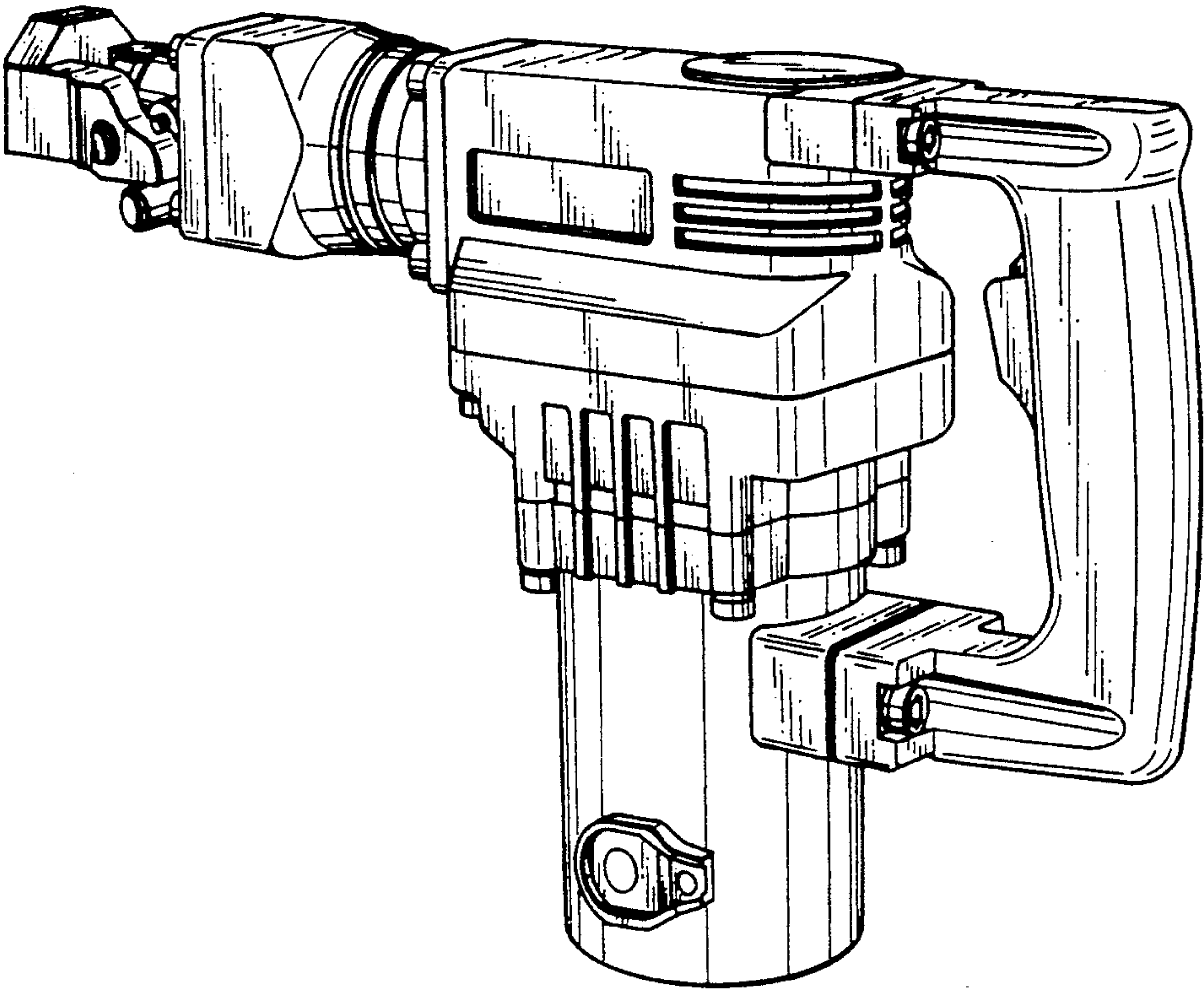


Fig. 2

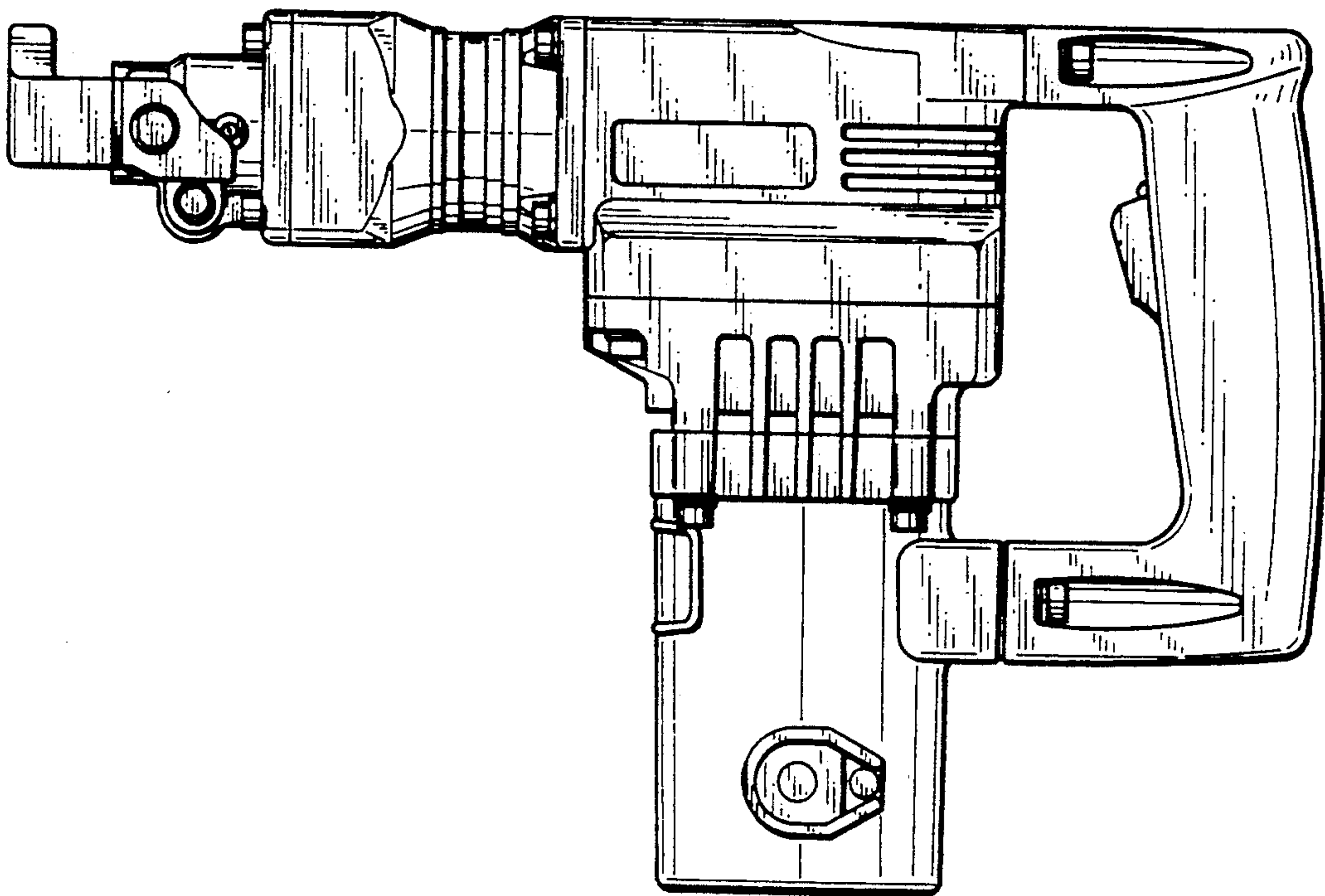


Fig. 3

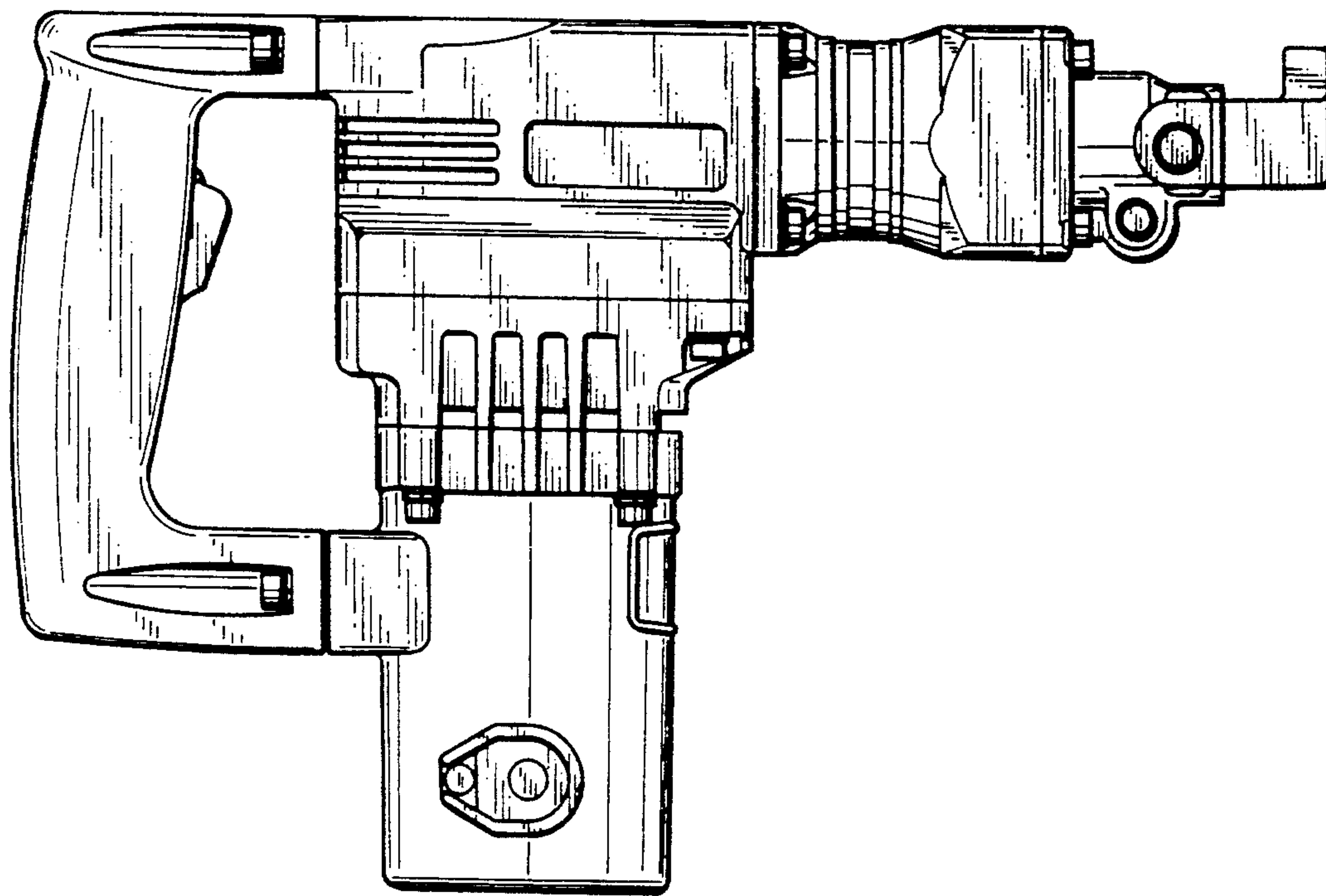


Fig. 4

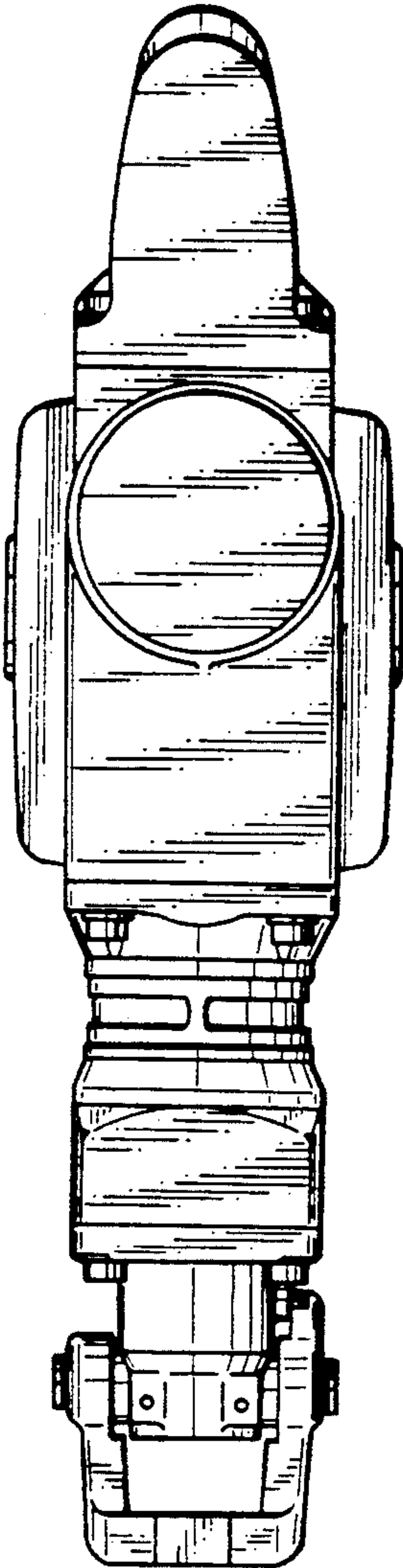


Fig. 5

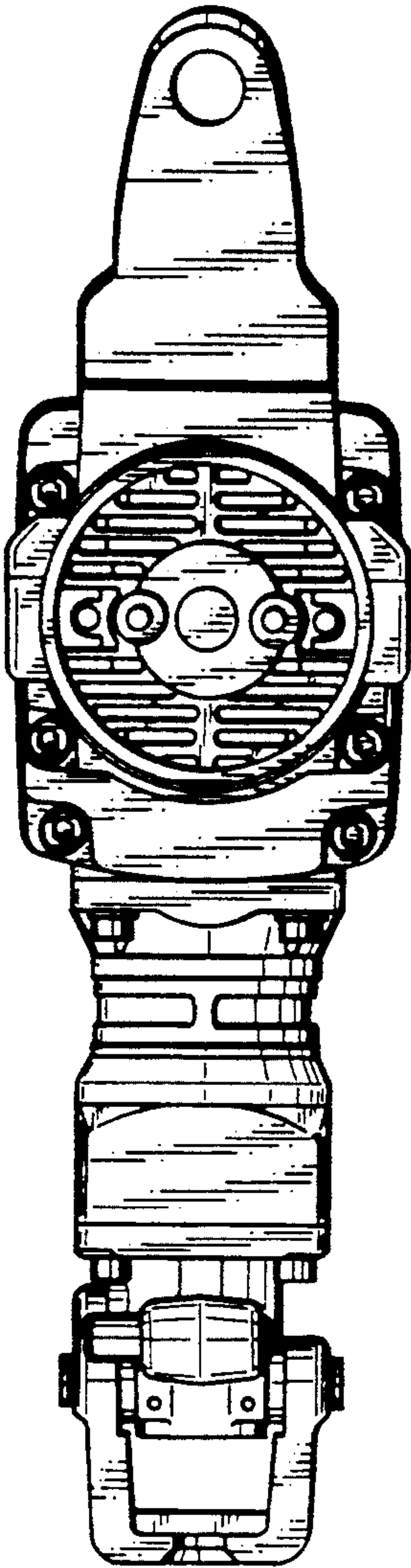


Fig. 6

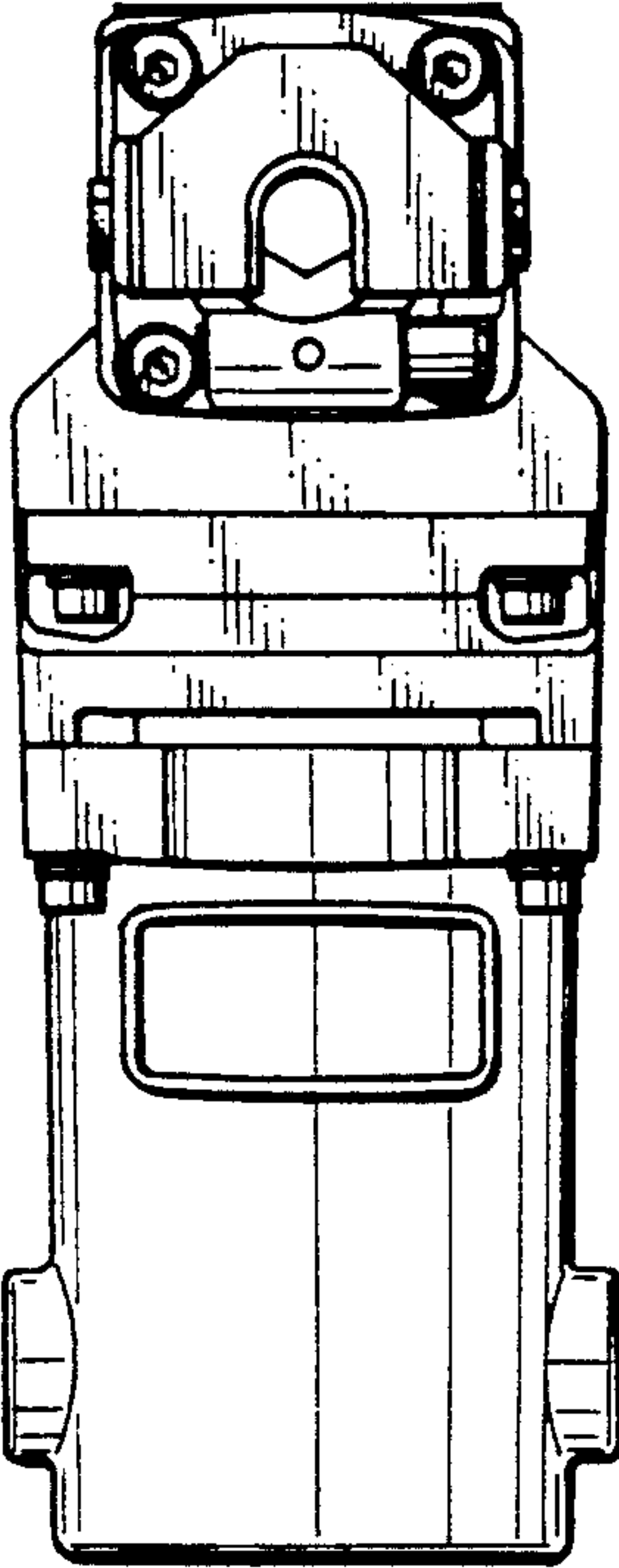


Fig. 7

