



US00D341532S

United States Patent [19]

Watanabe et al.

[11] Patent Number: **Des. 341,532**

[45] Date of Patent: **** Nov. 23, 1993**

[54] **CONCRETE HAMMER**

D. 333,767 3/1993 Sasaki et al. D8/69

[75] Inventors: **Satoru Watanabe; Masakazu Sakamoto**, both of Tokyo, Japan

FOREIGN PATENT DOCUMENTS

420927 4/1976 Japan .
562326 9/1983 Japan .

[73] Assignee: **Ryobi Ltd.**, Hiroshima, Japan

[**] Term: **14 Years**

Primary Examiner—Alan P. Douglas
Assistant Examiner—J. H. Musgrove
Attorney, Agent, or Firm—Sughrue, Mion, Zinn, Macpeak & Seas

[21] Appl. No.: **850,771**

[22] Filed: **Mar. 13, 1992**

[57] CLAIM

[30] Foreign Application Priority Data

Sep. 26, 1991 [JP] Japan 3-29272

The ornamental design for a concrete hammer, as shown.

[52] U.S. Cl. **D8/69**

DESCRIPTION

[58] Field of Search D8/61, 69, 68; 173/170, 173/48; 81/57.11

FIG. 1 is a front, top and right side perspective view of a concrete hammer showing our new design; FIG. 2 is a right side elevational view thereof; FIG. 3 is a left side elevational view thereof; FIG. 4 is a top plan view thereof; FIG. 5 is a bottom plan view thereof; FIG. 6 is a front elevational view thereof; and, FIG. 7 is a rear elevational view thereof.

[56] References Cited

U.S. PATENT DOCUMENTS

D. 301,967 7/1989 Sakamoto et al. D8/61
D. 310,936 10/1990 Saito et al. D8/69
D. 316,020 4/1991 Fushiya et al. D8/61

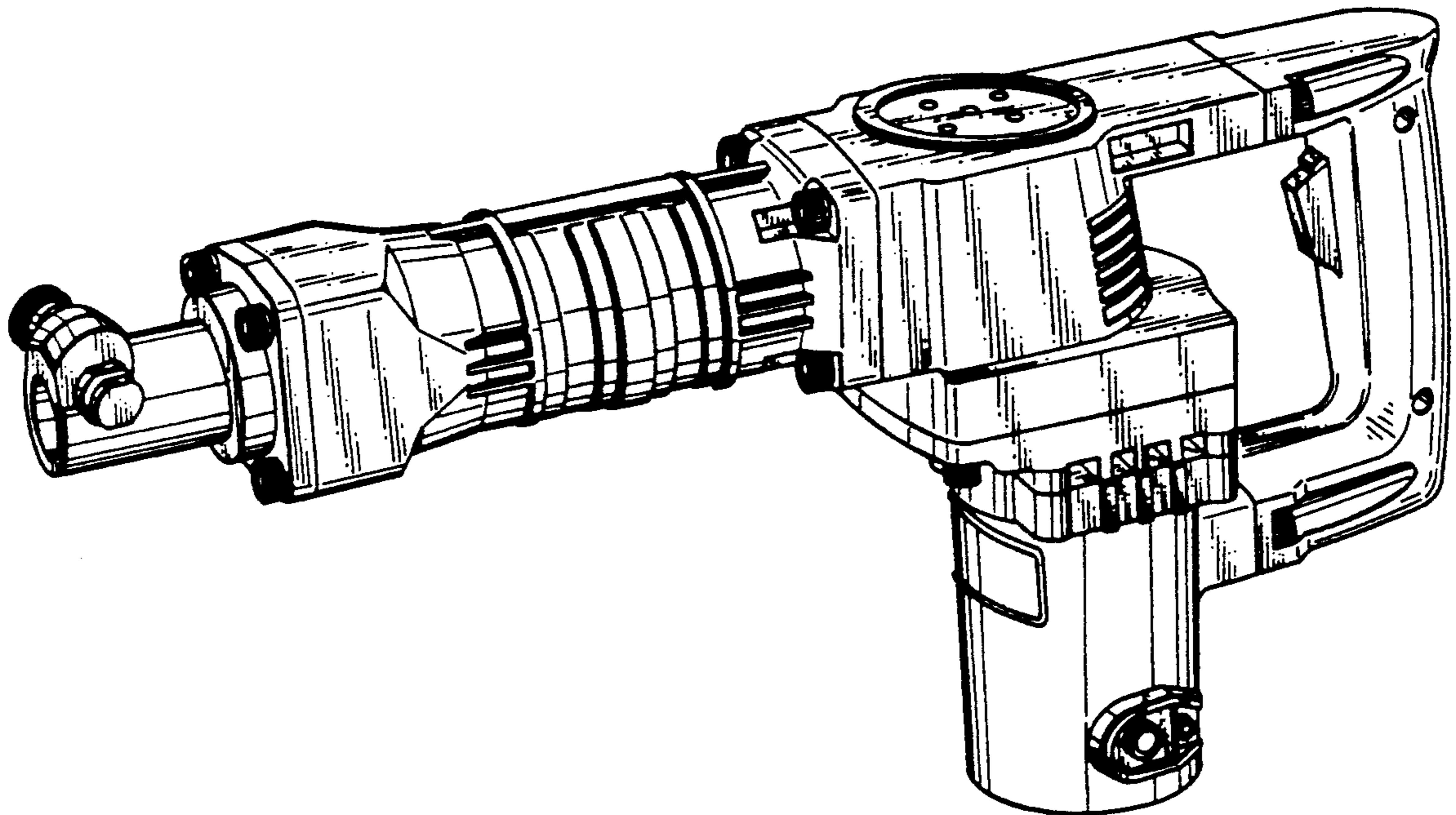


Fig. 1

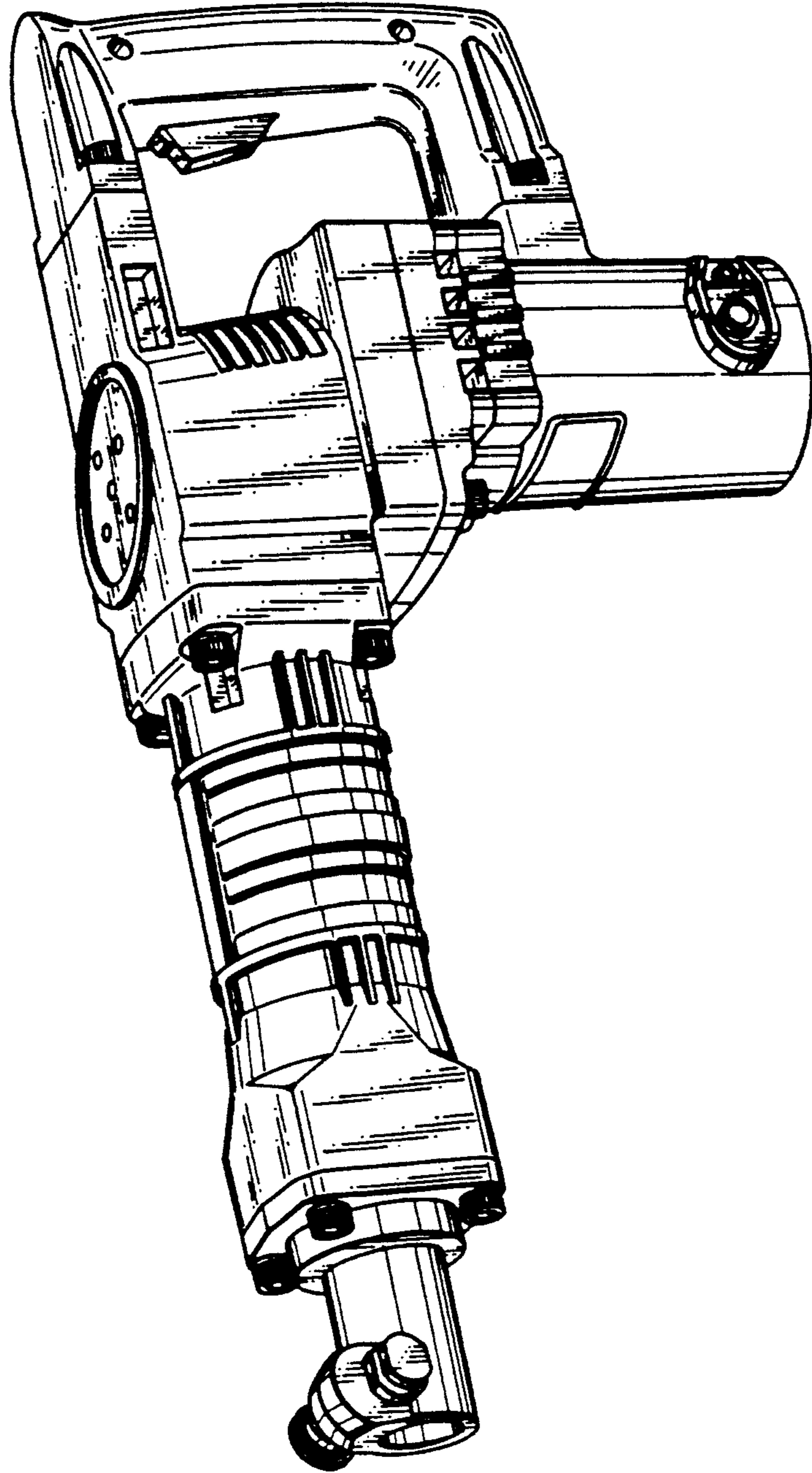


Fig. 2

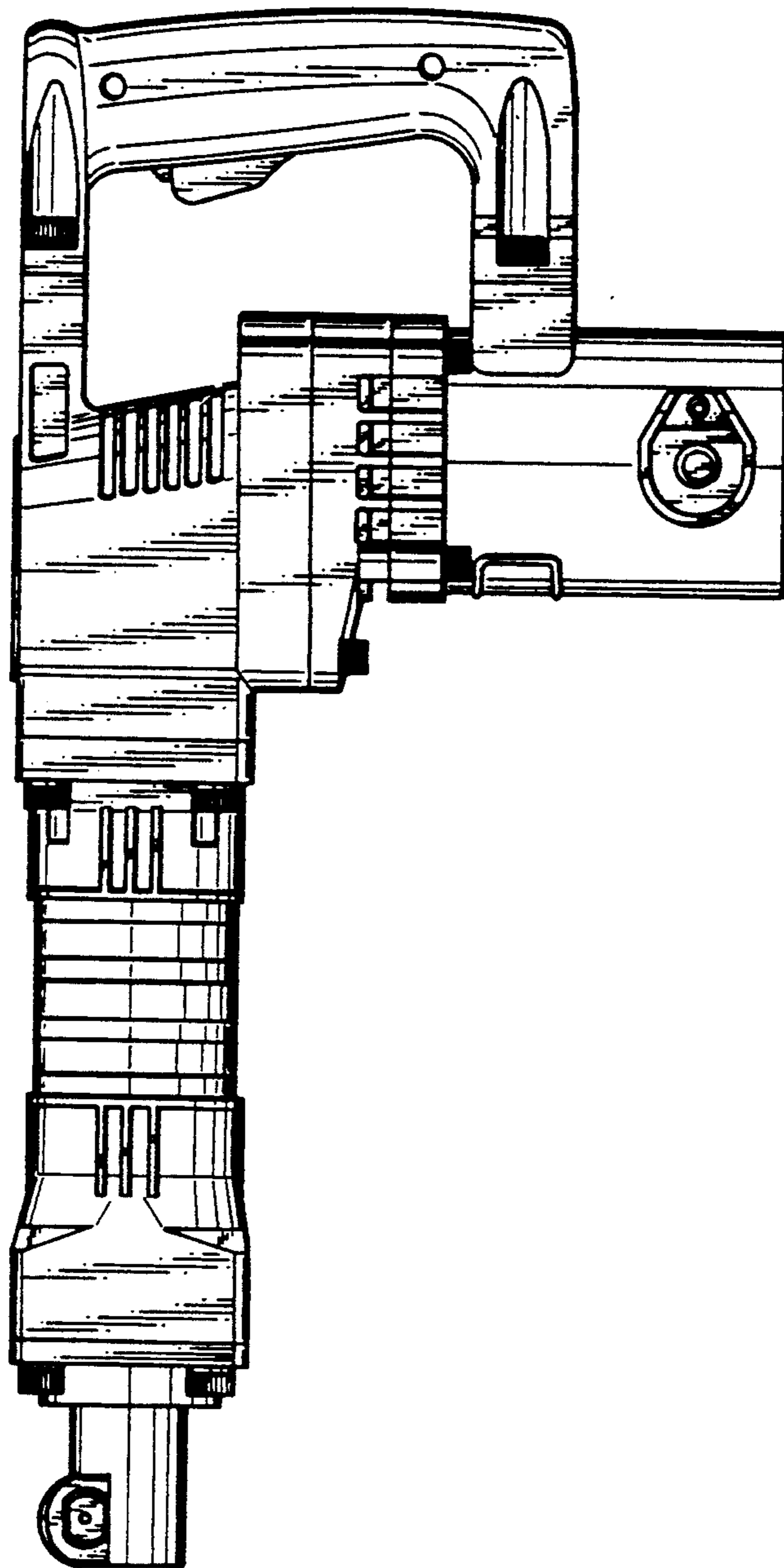


Fig. 3

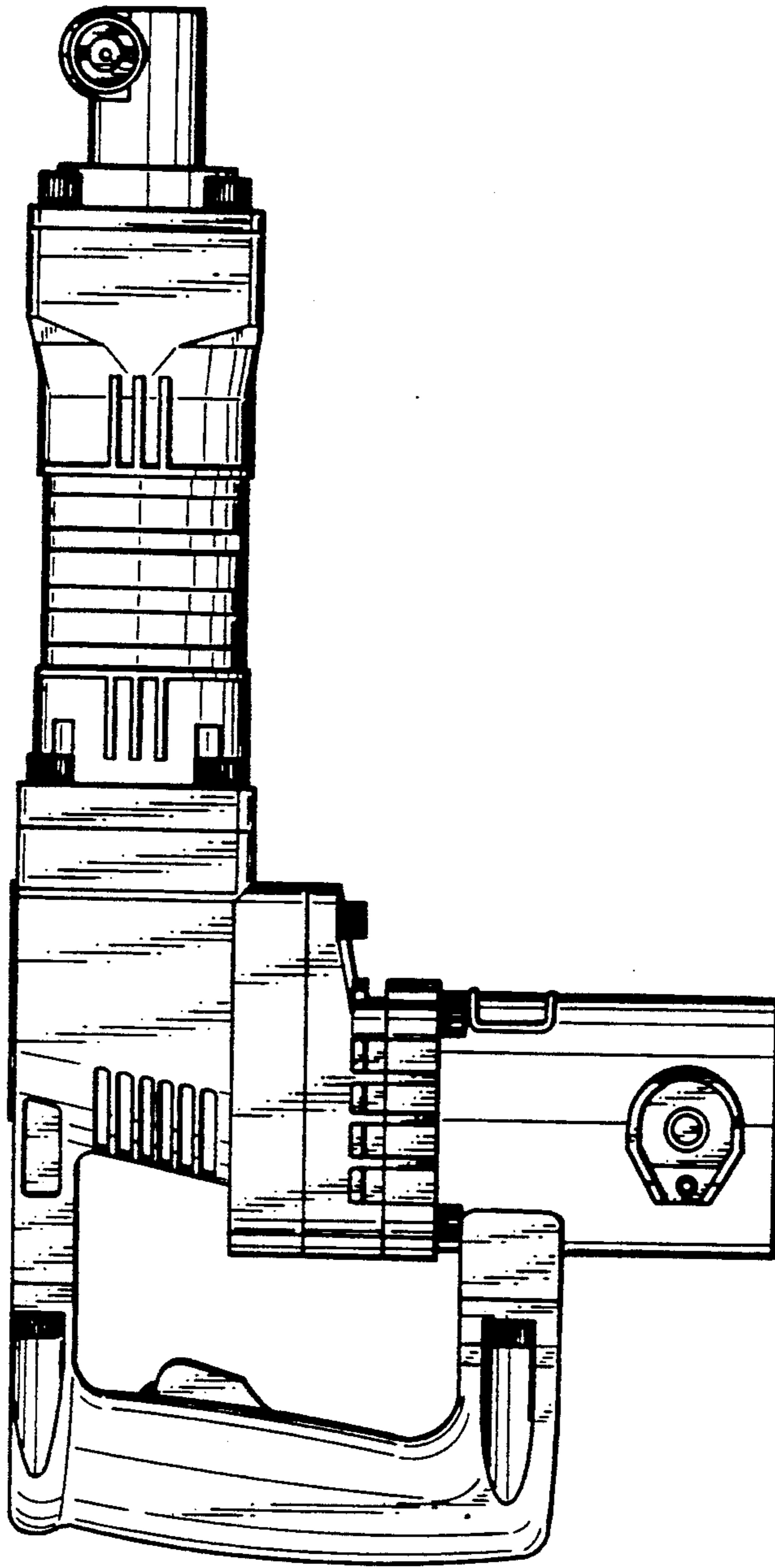


Fig. 4

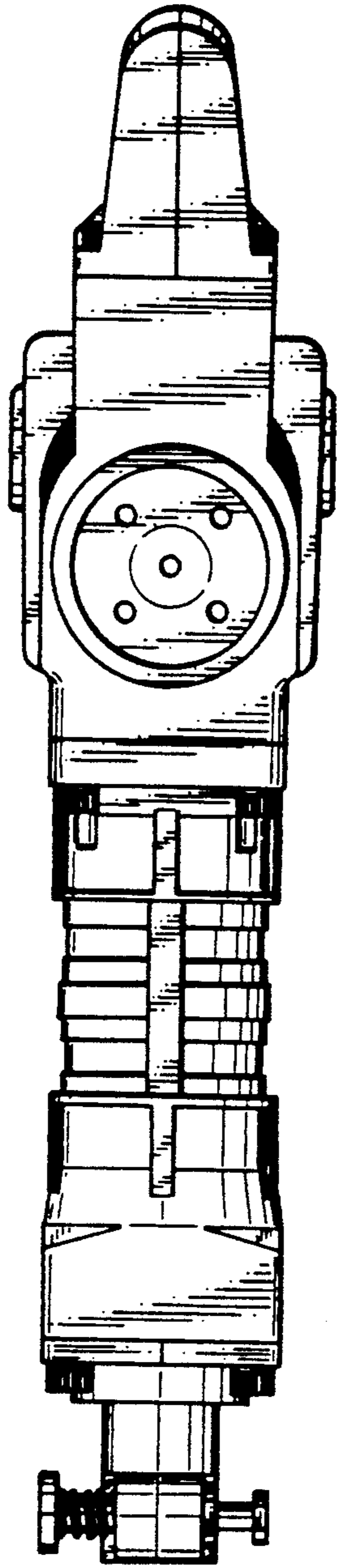


Fig. 5

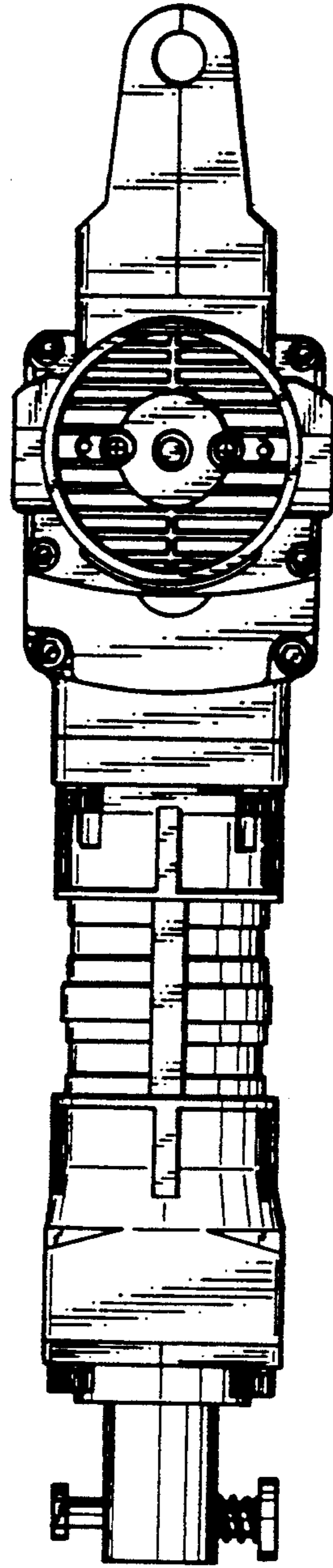


Fig. 6

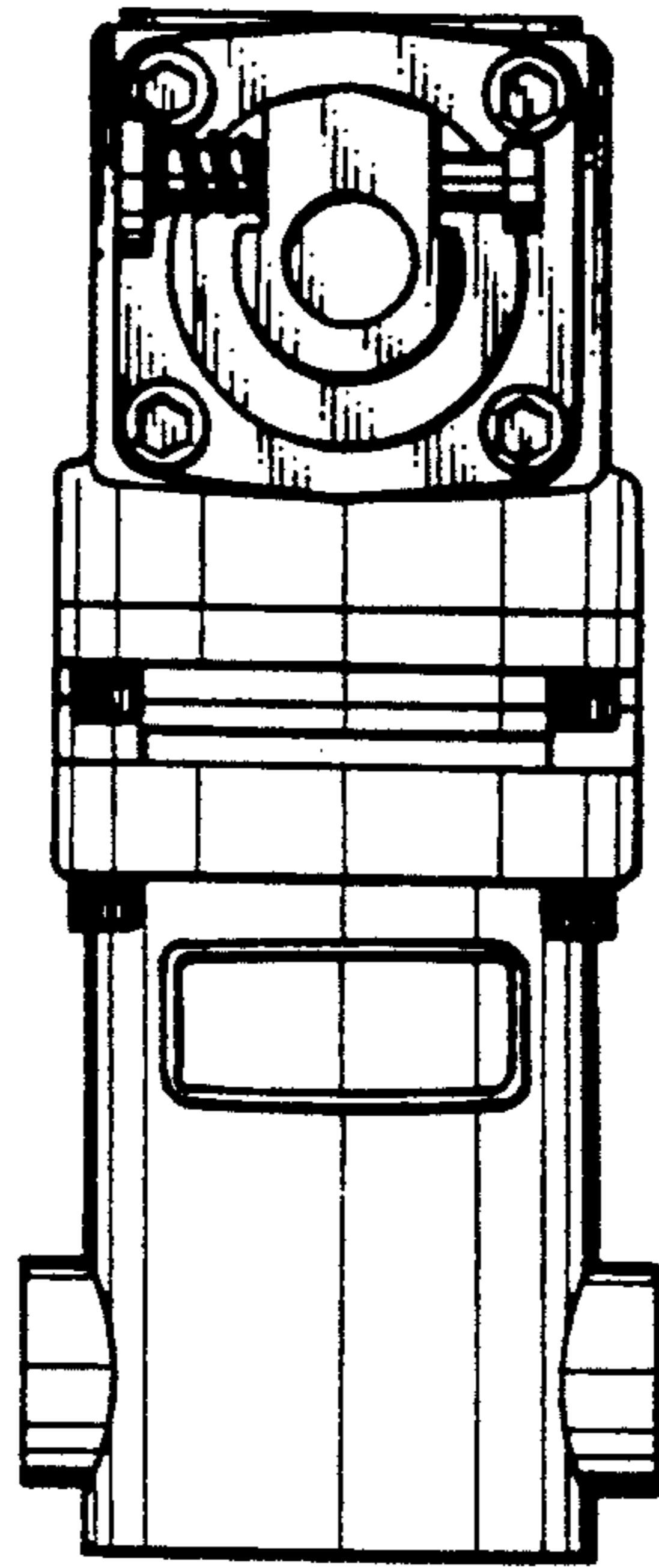


Fig. 7

