



US00D341528S

United States Patent [19]

Yamanashi

[11] Patent Number: **Des. 341,528**

[45] Date of Patent: **** Nov. 23, 1993**

[54] **TOOL FOR DISENGAGING A TERMINAL
FITTED IN A CONNECTOR HOUSING**

[75] Inventor: **Makoto Yamanashi, Shizuoka, Japan**

[73] Assignee: **Yazaki Corporation, Japan**

[**] Term: **14 Years**

[21] Appl. No.: **839,878**

[22] Filed: **Feb. 21, 1992**

[30] **Foreign Application Priority Data**

Jun. 3, 1991 [JP] Japan 3-16014

[52] U.S. Cl. **D8/14**

[58] Field of Search D8/14, 107, 82; 81/488;
29/747, 758, 881, 884, 764

[56] **References Cited**

U.S. PATENT DOCUMENTS

3,087,235 4/1963 Porter 29/764
3,096,573 7/1963 Connors, Sr. et al. 81/488

3,153,956 10/1964 Zdrakas 81/488
4,333,231 6/1982 Yeargin 29/764
4,380,118 4/1983 Driver 29/747
4,860,440 8/1989 Garbrick 29/764

Primary Examiner—Melvin B. Feifer
Assistant Examiner—Philip Hyder
Attorney, Agent, or Firm—Jones & Askew

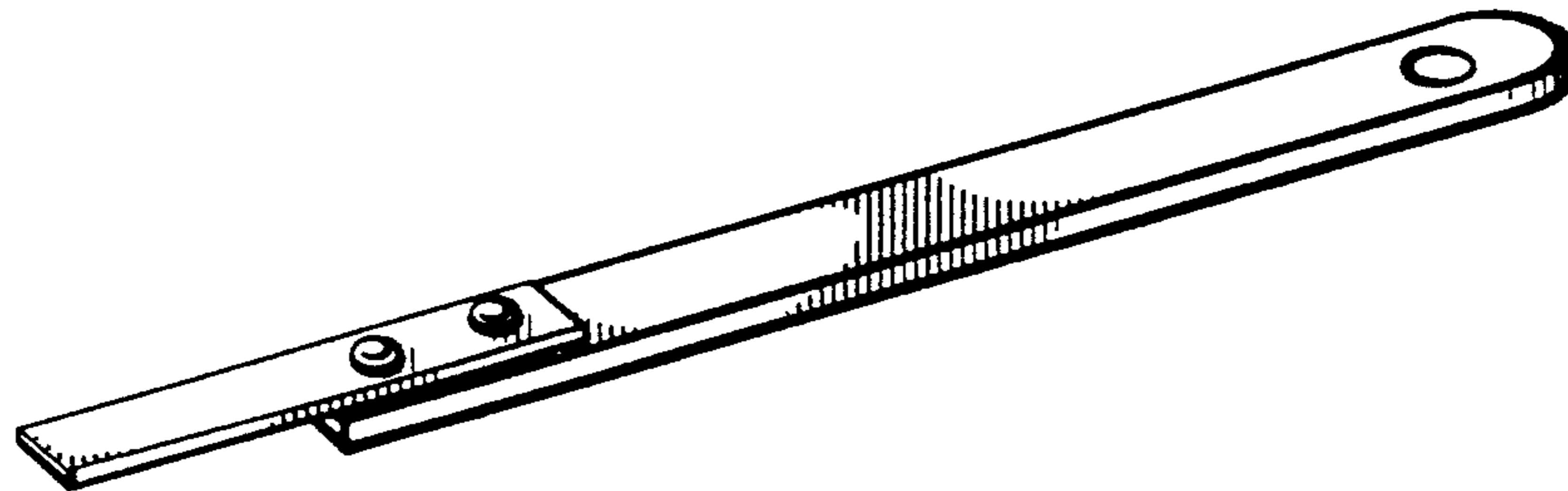
[57] **CLAIM**

The ornamental design for a tool for disengaging a terminal fitted in a connector housing, as shown.

DESCRIPTION

FIG. 1 is a perspective view of a tool for disengaging a terminal fitted in a connector housing, showing my new design;

FIG. 2 is a front elevational view thereof;
FIG. 3 is a right side elevational view thereof;
FIG. 4 is a left side elevational view thereof;
FIG. 5 is a rear elevational view thereof;
FIG. 6 is a top plan view thereof; and,
FIG. 7 is a bottom plan view thereof.



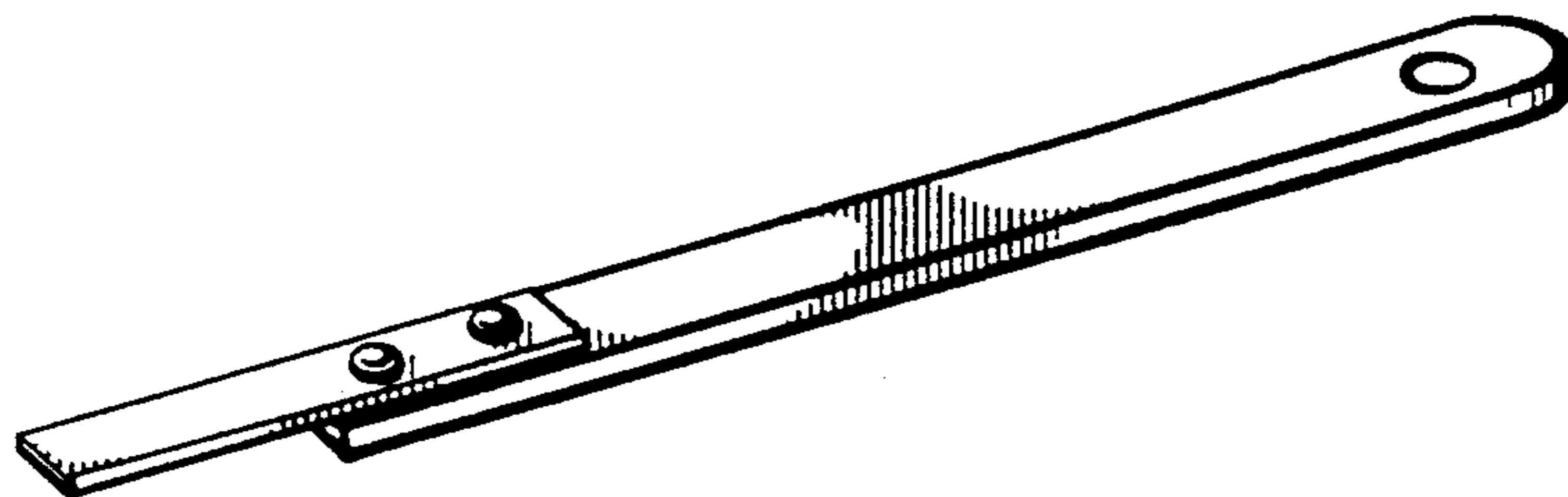


FIG 1



FIG 2



FIG 3



FIG 4



FIG 5

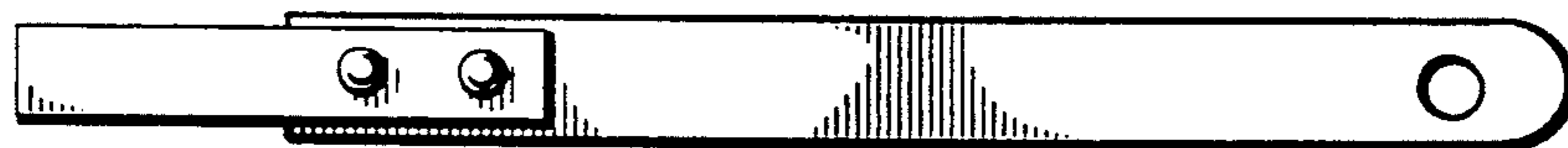


FIG 6

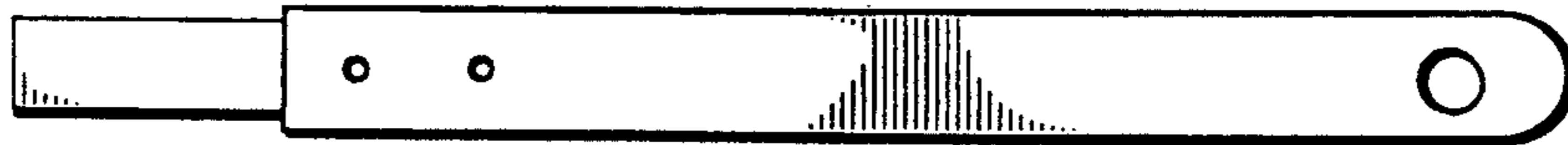


FIG 7