



US00D341527S

United States Patent [19] Clivio

[11] Patent Number: **Des. 341,527**

[45] Date of Patent: **** Nov. 23, 1993**

[54] **GARDENSHEARS**

D. 305,858 2/1990 Ishida D8/5

[75] Inventor: **Franco Clivio**, Zurich, Switzerland

OTHER PUBLICATIONS

[73] Assignee: **Gardena Kress + Kastner GmbH**,
Fed. Rep. of Germany

Ames Catalog, may 1986, p. 35, pruning shears, item G 23-119 and A 23-092 located at top of page.

Gardena '90 accu-system V12, Catalog, p. 55, 1990.

[**] Term: **14 Years**

Primary Examiner—Wallace R. Burke

Assistant Examiner—H. Baynham

Attorney, Agent, or Firm—Quarles & Brady

[21] Appl. No.: **831,699**

[22] Filed: **Feb. 5, 1992**

[57] CLAIM

[30] **Foreign Application Priority Data**

The ornamental design for a gardenshears, as shown and described.

Aug. 29, 1991 [DE] Fed. Rep. of Germany 9106165

[52] U.S. Cl. **D8/5**

[58] Field of Search D8/4, 5; 30/262

DESCRIPTION

[56] **References Cited**

U.S. PATENT DOCUMENTS

D. 194,185	12/1962	Rogers	D8/5
D. 250,509	12/1978	Plimmer	D8/5
D. 250,988	2/1979	Plimmer	D8/5
D. 264,545	5/1982	Harrison et al.	D8/5
D. 267,144	12/1982	Harrison et al.	D8/5
D. 275,645	9/1984	Ishida et al.	D8/5
D. 289,250	4/1987	Pittaway	D8/5

FIG. 1 is a side perspective view of a gardenshears showing my new design;

FIG. 2 is a side elevation view thereof;

FIG. 3 is a front elevation view thereof;

FIG. 4 is a rear elevation view thereof;

FIG. 5 is a top plan view thereof;

FIG. 6 is an opposite side elevation view thereof;

FIG. 7 is a bottom plan view thereof; and,

FIG. 8 is a side perspective view in opened position thereof.

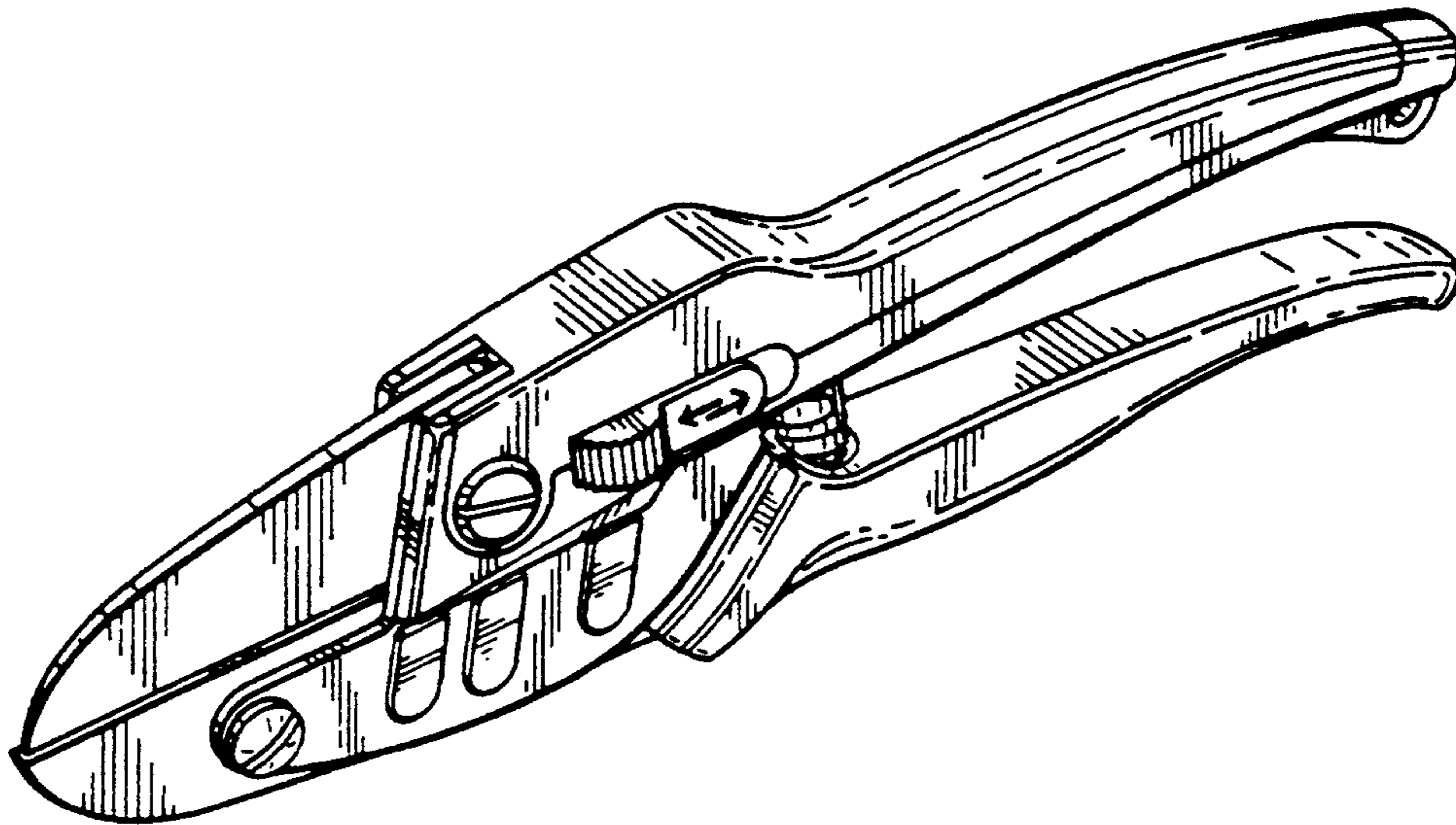


Fig. 1

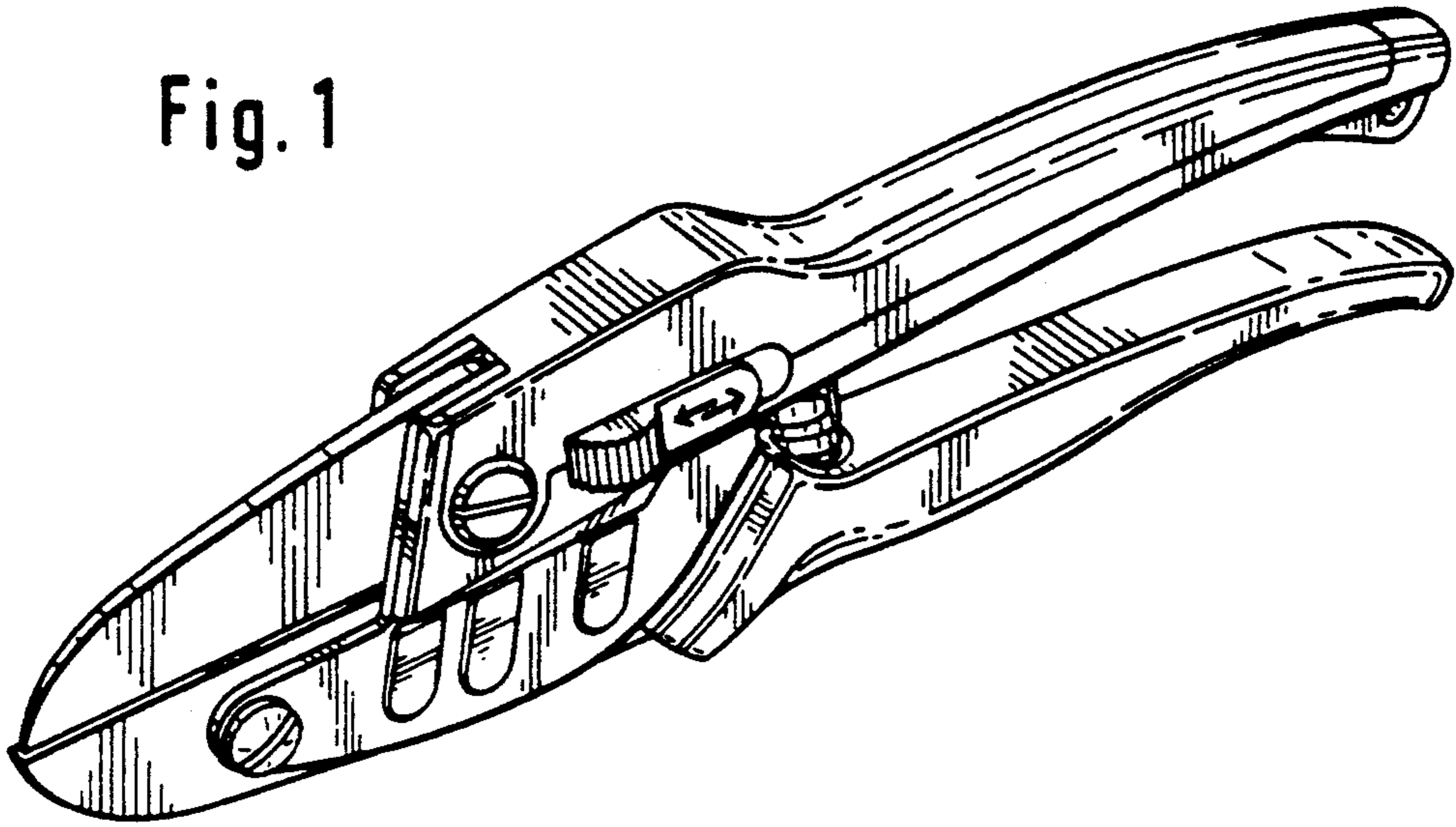


Fig. 2

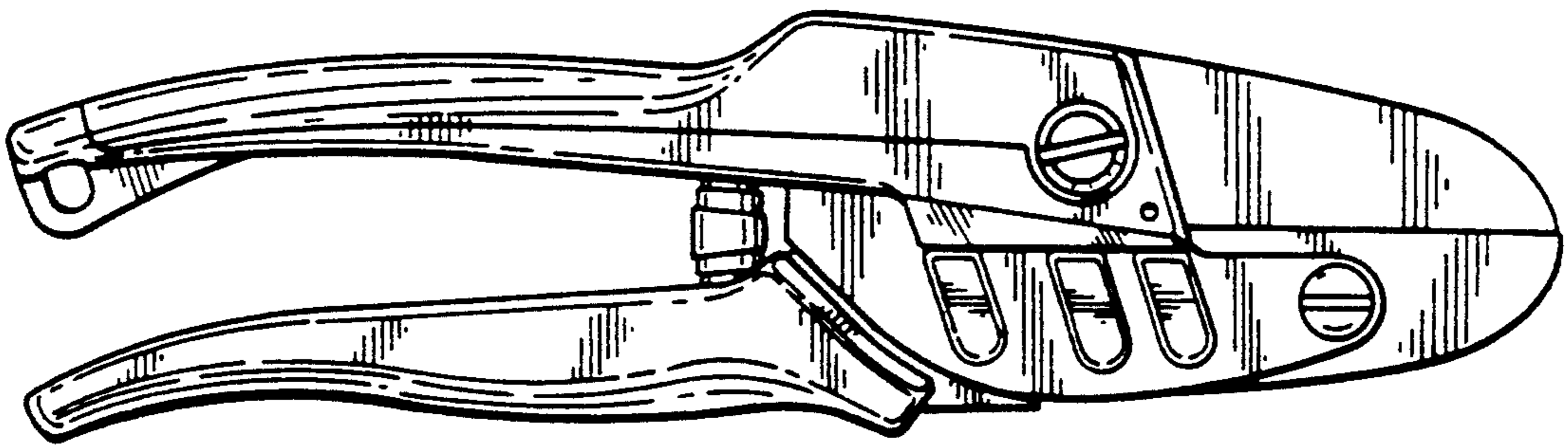


Fig. 3

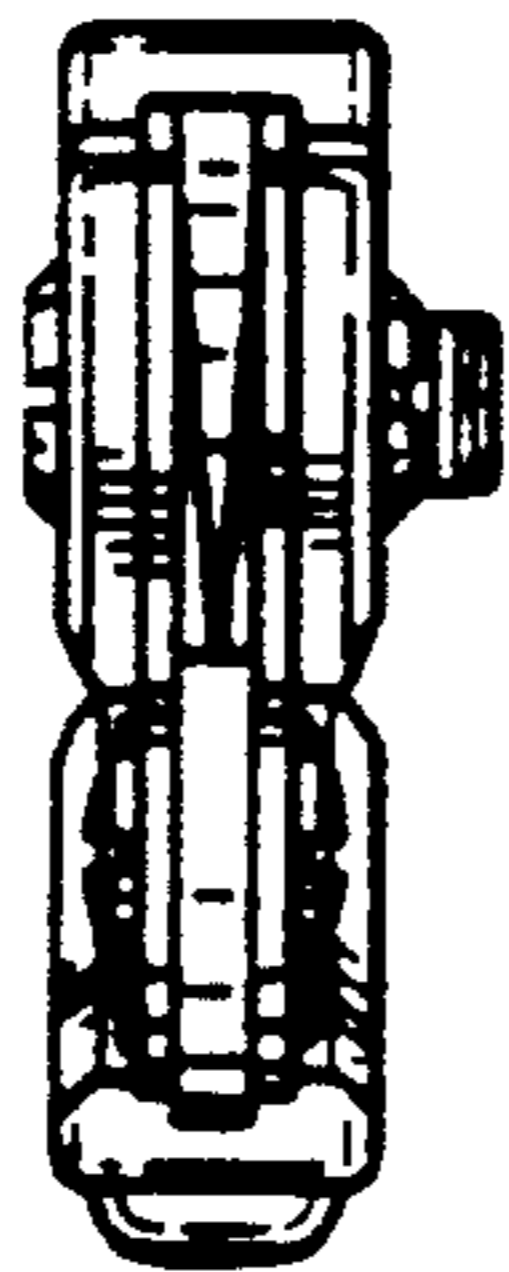


Fig. 4





Fig. 5

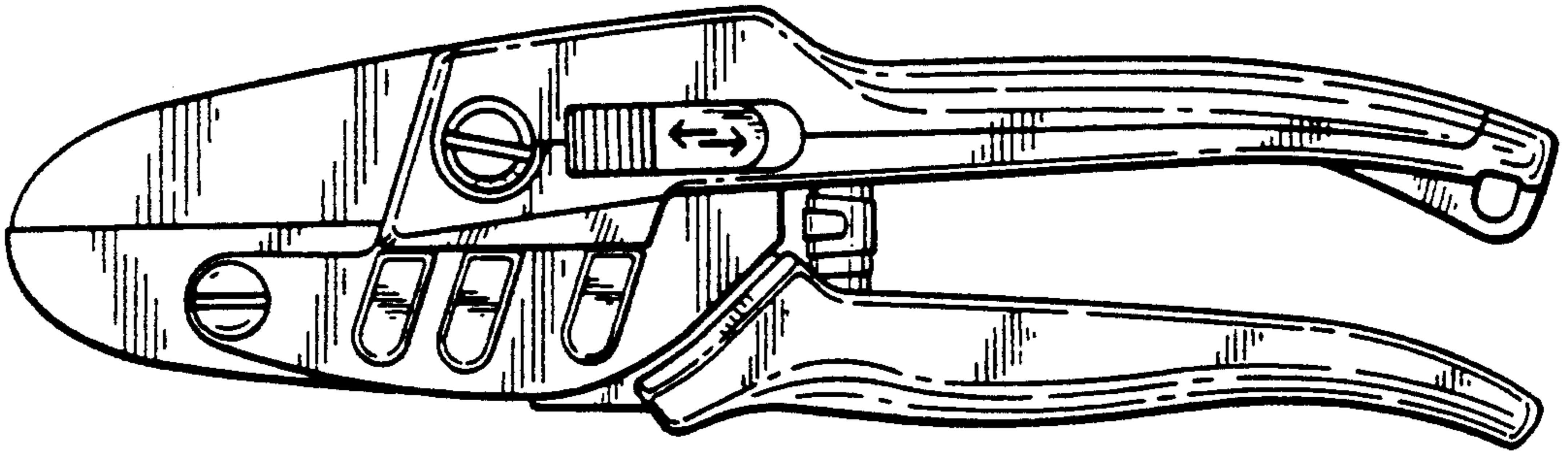


Fig. 6



Fig. 7

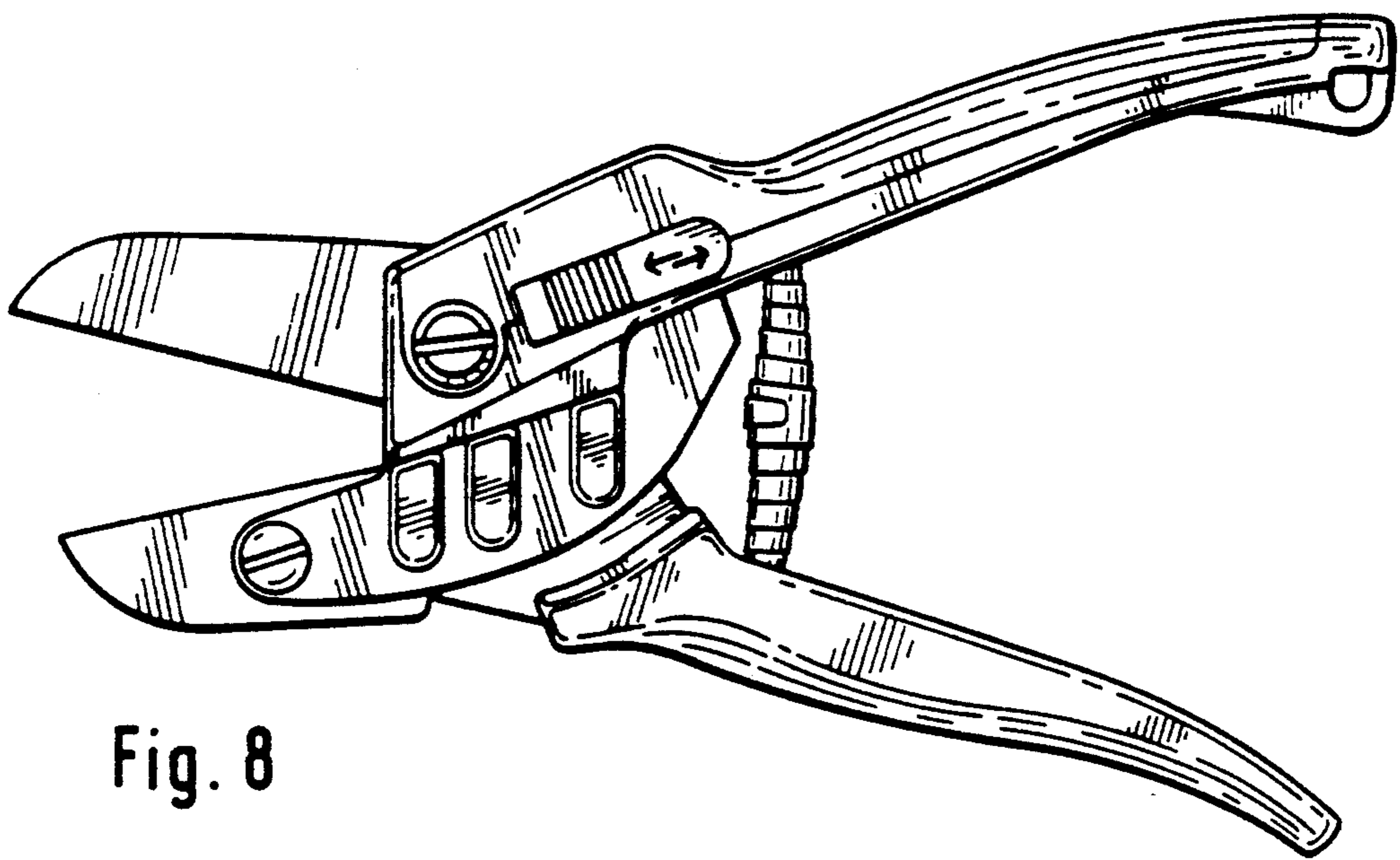


Fig. 8