



US00D341526S

# United States Patent [19]

[11] Patent Number: Des. 341,526

Clivio

[45] Date of Patent: \*\* Nov. 23, 1993

[54] GARDENSHEARS

D. 305,858 2/1990 Ishida ..... D8/5

[75] Inventor: Franco Clivio, Zurich, Switzerland

### OTHER PUBLICATIONS

[73] Assignee: Gardens Kress & Kastner GmbH,  
Fed. Rep. of Germany

Ames Catalog May 1986, p. 35, Pruning Shears, item 6,  
23-119 and A 23-092 located at top of page.

[\*\*] Term: 14 Years

Gardena '90 accu-system V12, Catalog, p. 55, 1990.

[21] Appl. No.: 831,289

Primary Examiner—Wallace R. Burke

[22] Filed: Feb. 5, 1992

Assistant Examiner—H. Baynham

Attorney, Agent, or Firm—Quarles & Brady

[30] Foreign Application Priority Data

Aug. 29, 1991 [DE] Fed. Rep. of Germany ..... 9106165

[52] U.S. Cl. .... D8/5

[58] Field of Search ..... D8/5, 4; 30/262

### [57] CLAIM

The ornamental design for a gardenshears, as shown  
and described.

### [56] References Cited

### DESCRIPTION

#### U.S. PATENT DOCUMENTS

- D. 194,185 12/1962 Rogers ..... D8/5
- D. 250,509 12/1978 Plimmer ..... D8/5
- D. 250,988 2/1979 Plimmer ..... D8/5
- D. 264,545 5/1982 Harrison et al. .... D8/5
- D. 267,144 12/1982 Harrison et al. .... D8/5
- D. 275,645 9/1984 Ishida et al. .... D8/5
- D. 289,250 4/1987 Pittaway ..... D8/5

FIG. 1 is a side perspective view of a gardenshears  
showing my new design;

FIG. 2 is a side elevation view thereof;

FIG. 3 is a front elevation view thereof;

FIG. 4 is a rear elevation view thereof;

FIG. 5 is a top plan view thereof;

FIG. 6 is an opposite side elevation view thereof;

FIG. 7 is a bottom plan view thereof; and,

FIG. 8 is a side perspective view in opened position  
thereof.

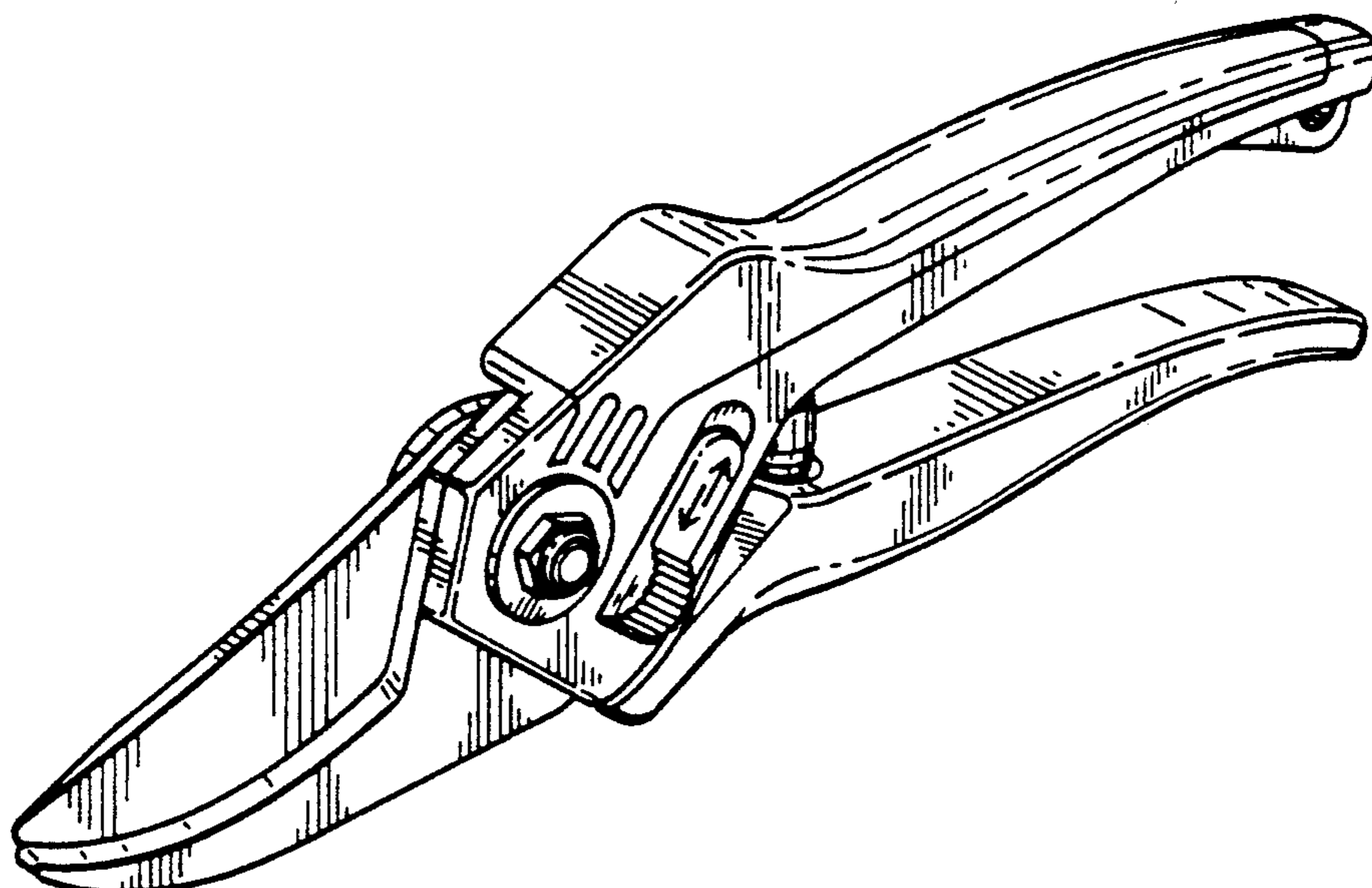


Fig. 1

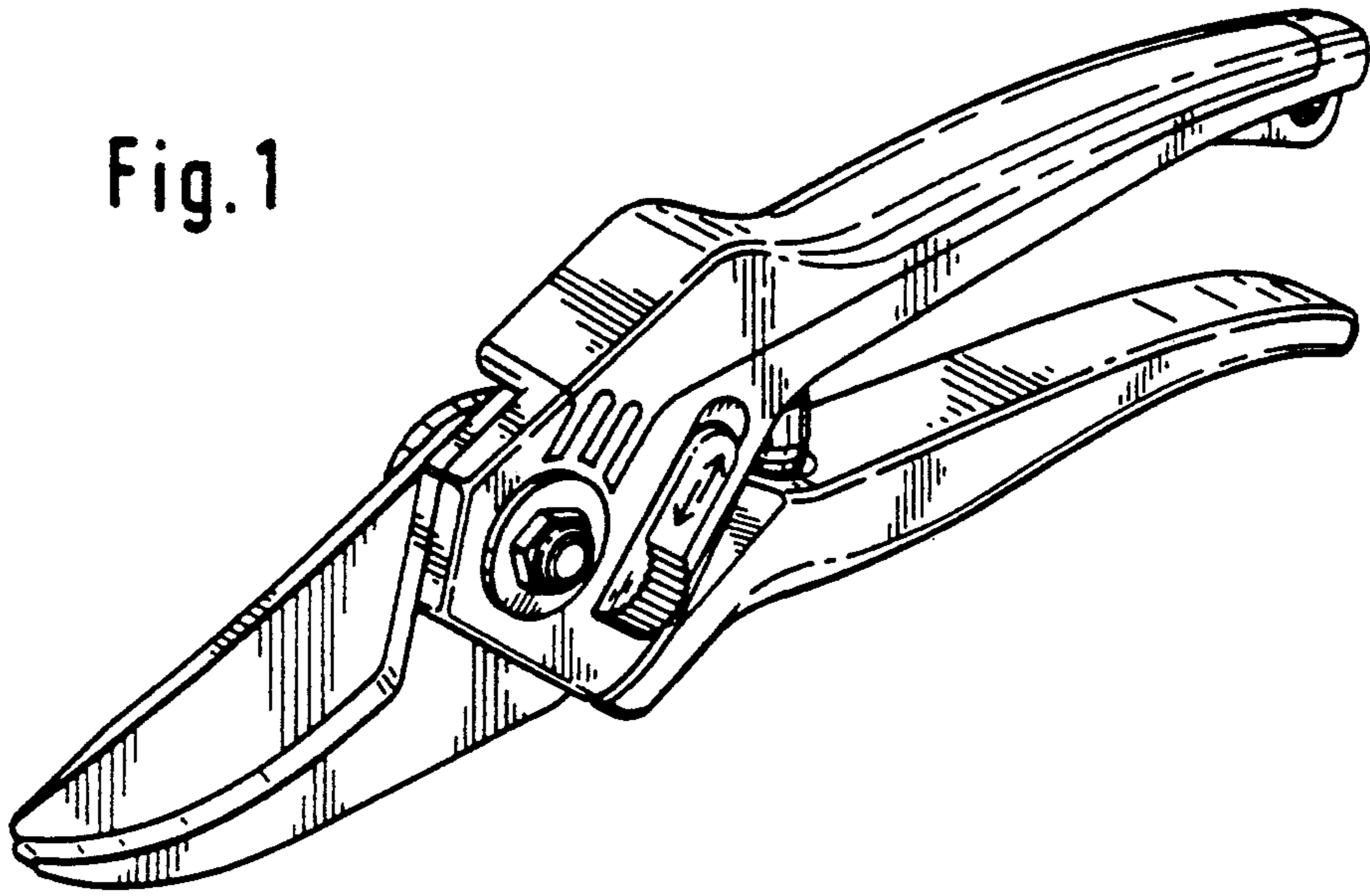


Fig. 2

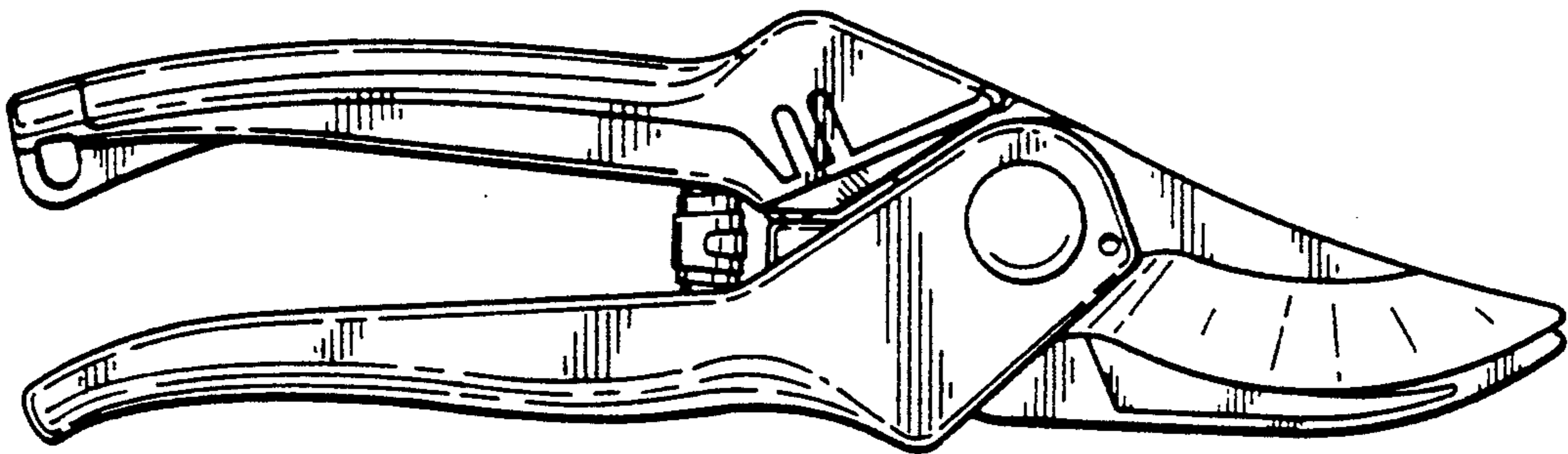


Fig. 3

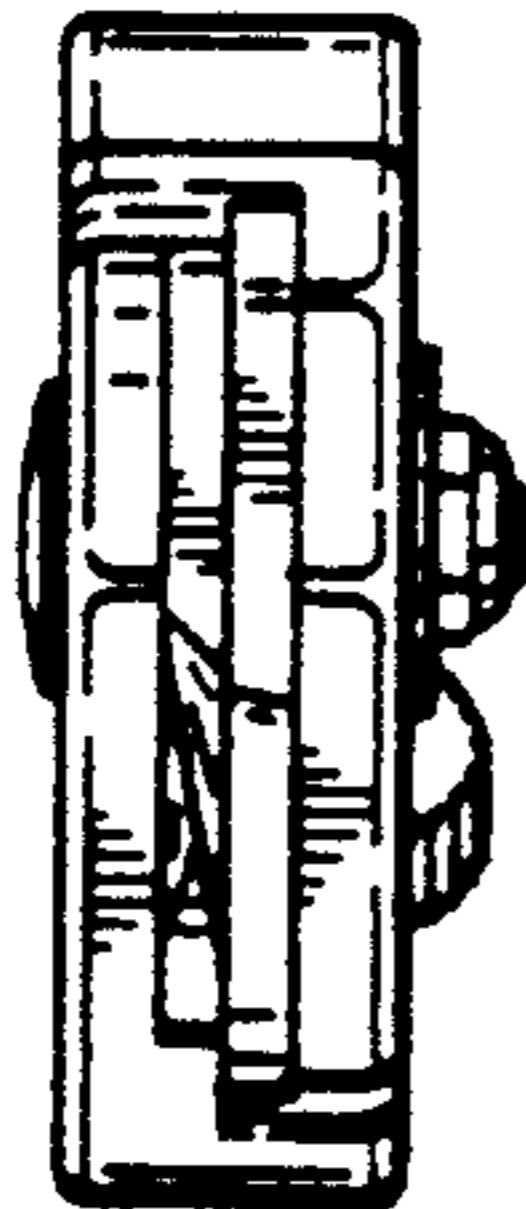
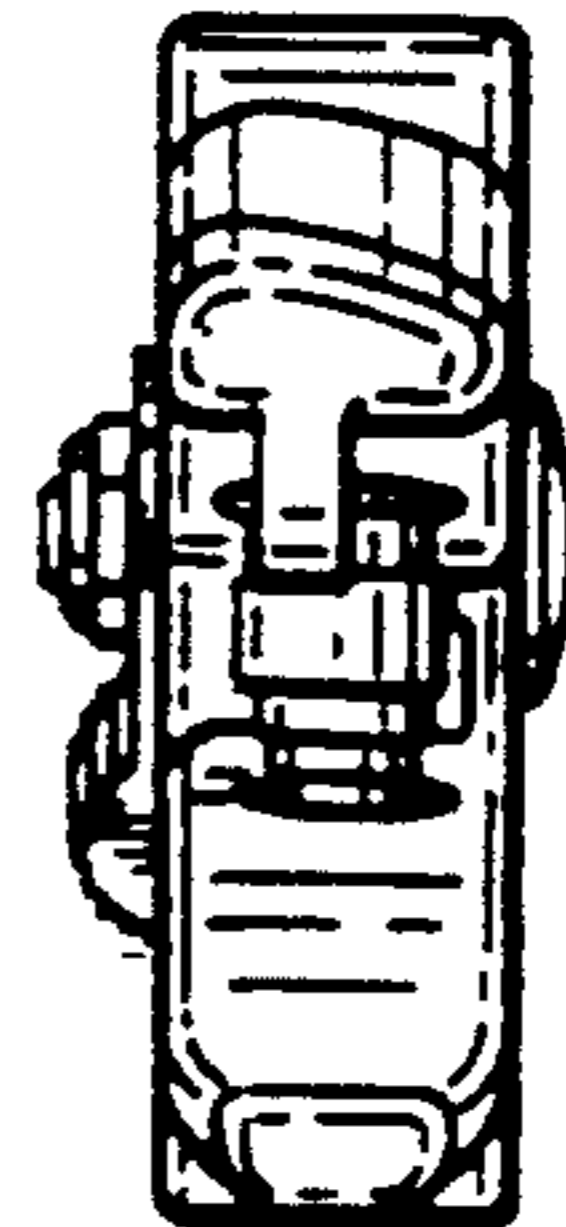


Fig. 4



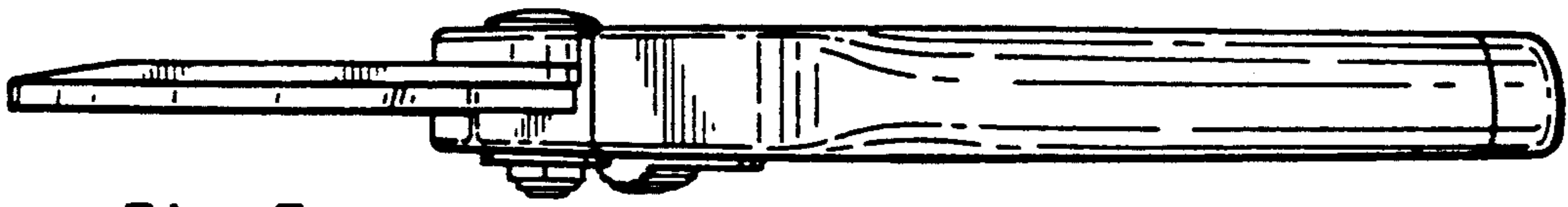


Fig. 5

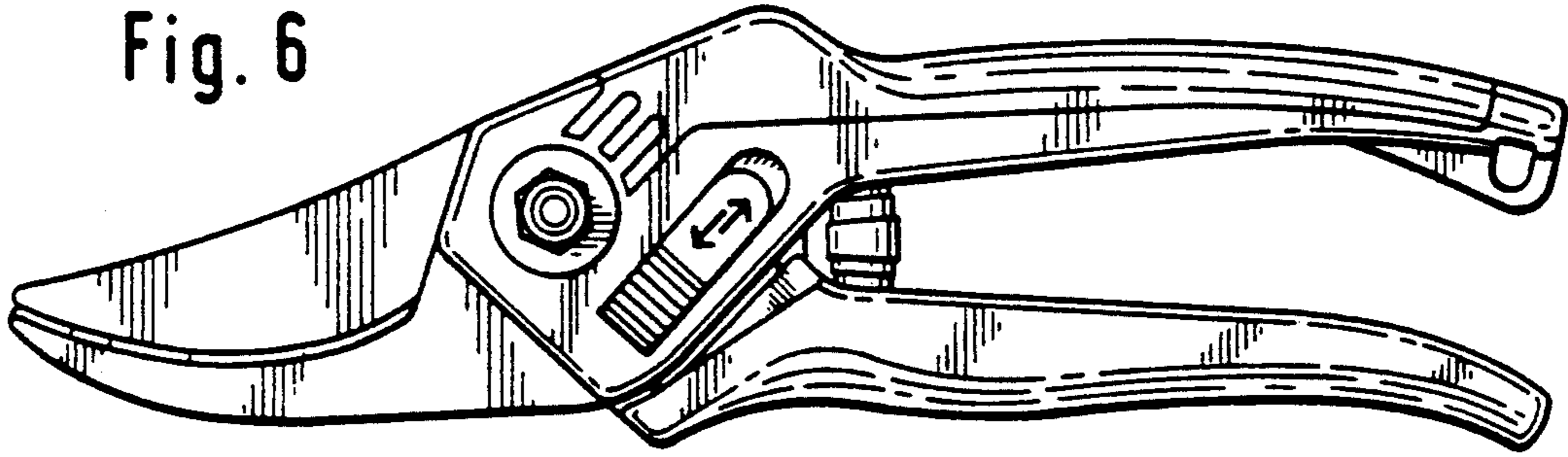


Fig. 6

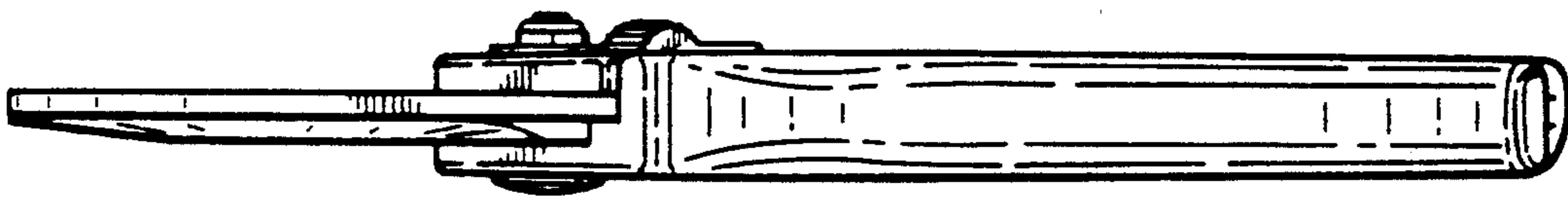


Fig. 7

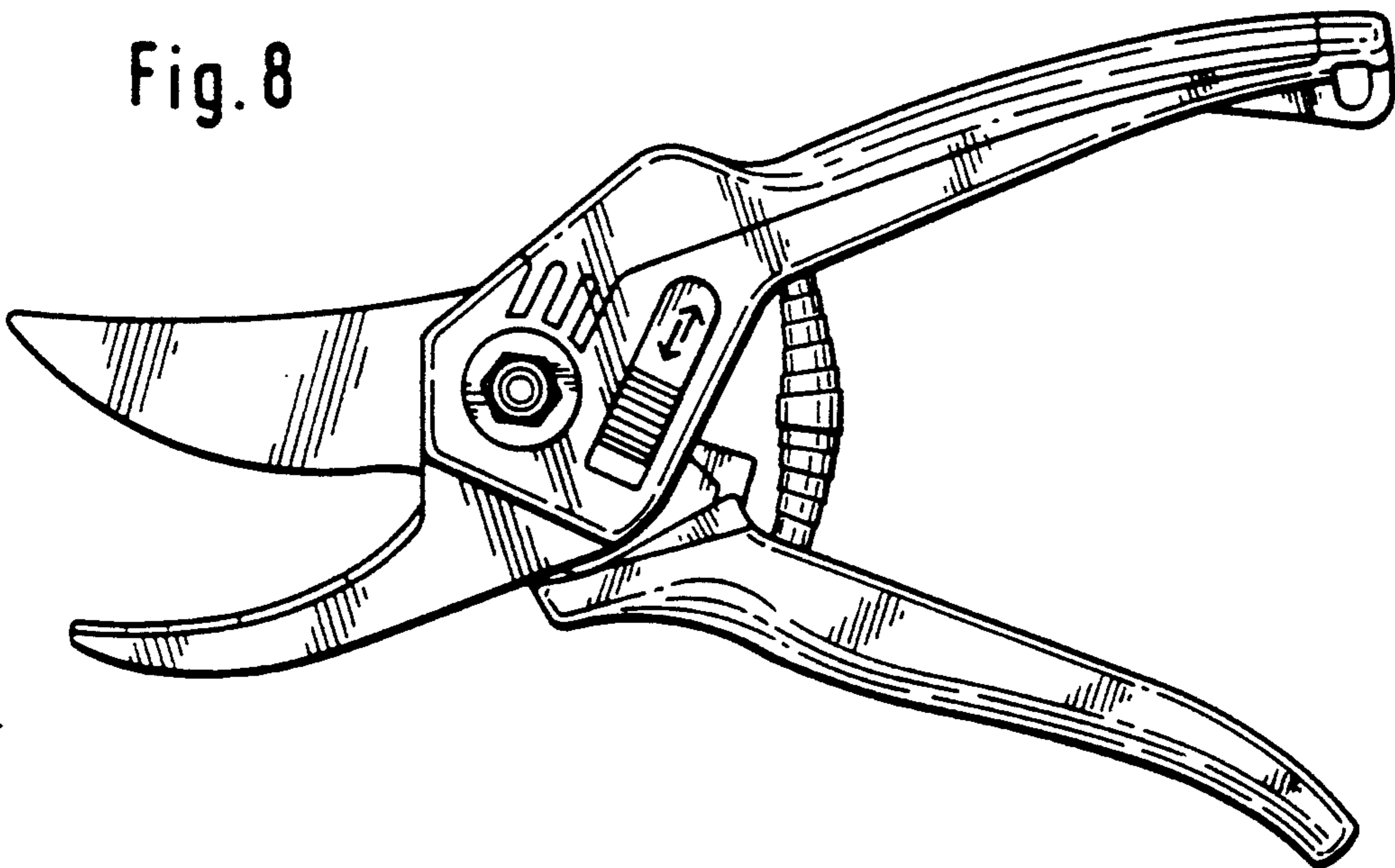


Fig. 8