



US00D341522S

United States Patent [19]

[11] Patent Number: **Des. 341,522**

Lamson et al.

[45] Date of Patent: **** Nov. 23, 1993**

[54] JUICER

[56]

References Cited

U.S. PATENT DOCUMENTS

[76] Inventors: **Robert D. Lamson; Richard A. Cesari; Robert G. Harrison**, all of c/o Trillium Health Products, Inc., 655 S. Orcas, Suite 220, Seattle, Wash. 98108

D. 309,083 7/1990 Kahlcke D7/665
D. 333,947 3/1993 Markee et al. D7/665

Primary Examiner—Terry A. Pfeffer
Attorney, Agent, or Firm—Hughes & Multer

[**] Term: **14 Years**

[57]

CLAIM

The ornamental design for a juicer, as shown.

[21] Appl. No.: **821,552**

DESCRIPTION

[22] Filed: **Jan. 15, 1992**

[52] U.S. Cl. **D7/665**

[58] Field of Search D7/374, 376, 381, 384,
D7/665; 99/495, 501-506

FIG. 1 is a perspective view of the juicer showing our new design;
FIG. 2 is a front elevational view thereof;
FIG. 3 is a rear elevational view thereof;
FIG. 4 is a right side elevational view thereof;
FIG. 5 is a left side elevational view thereof;
FIG. 6 is a top plan view thereof; and,
FIG. 7 is a bottom plan view thereof.

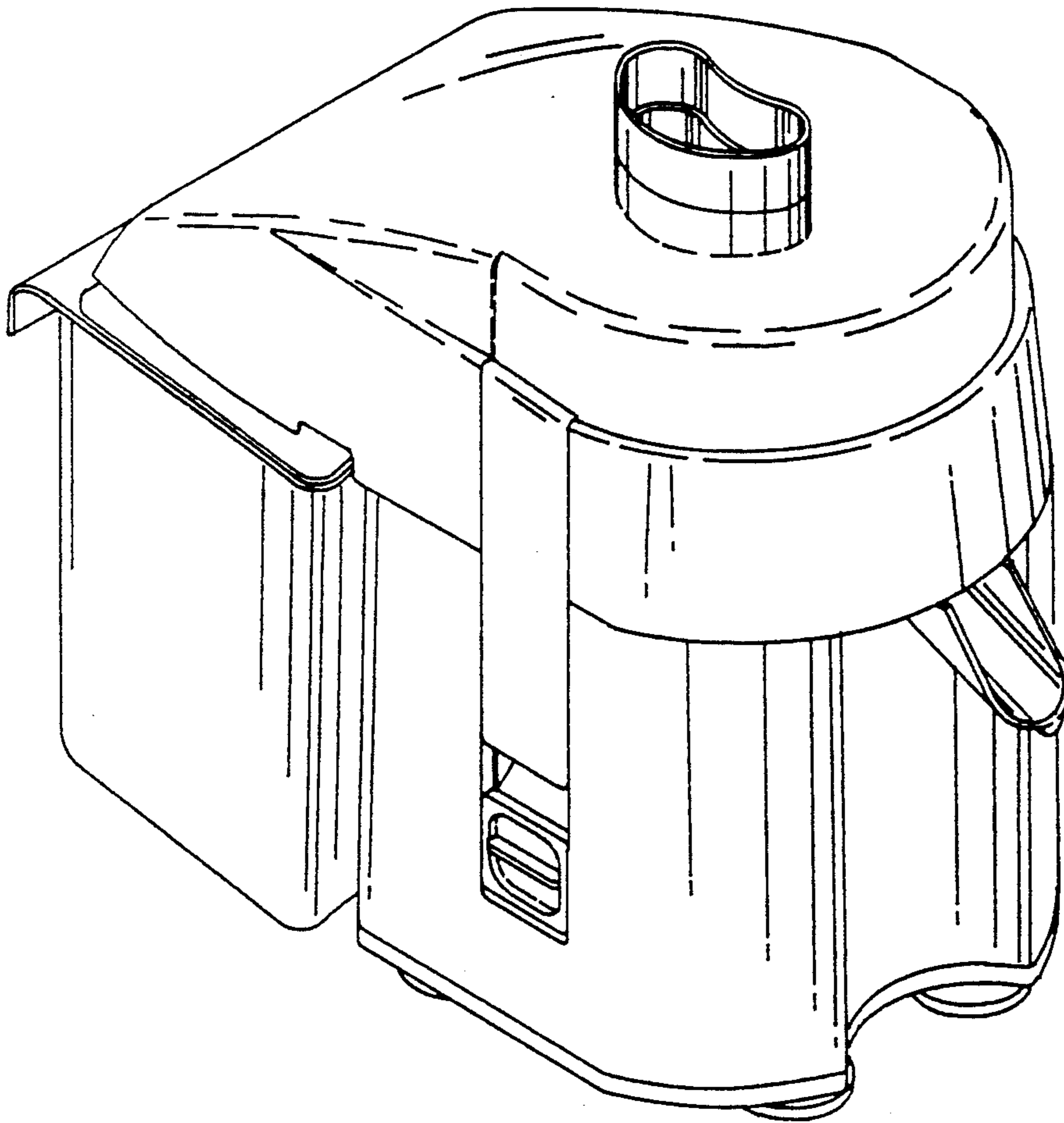


FIG. 1

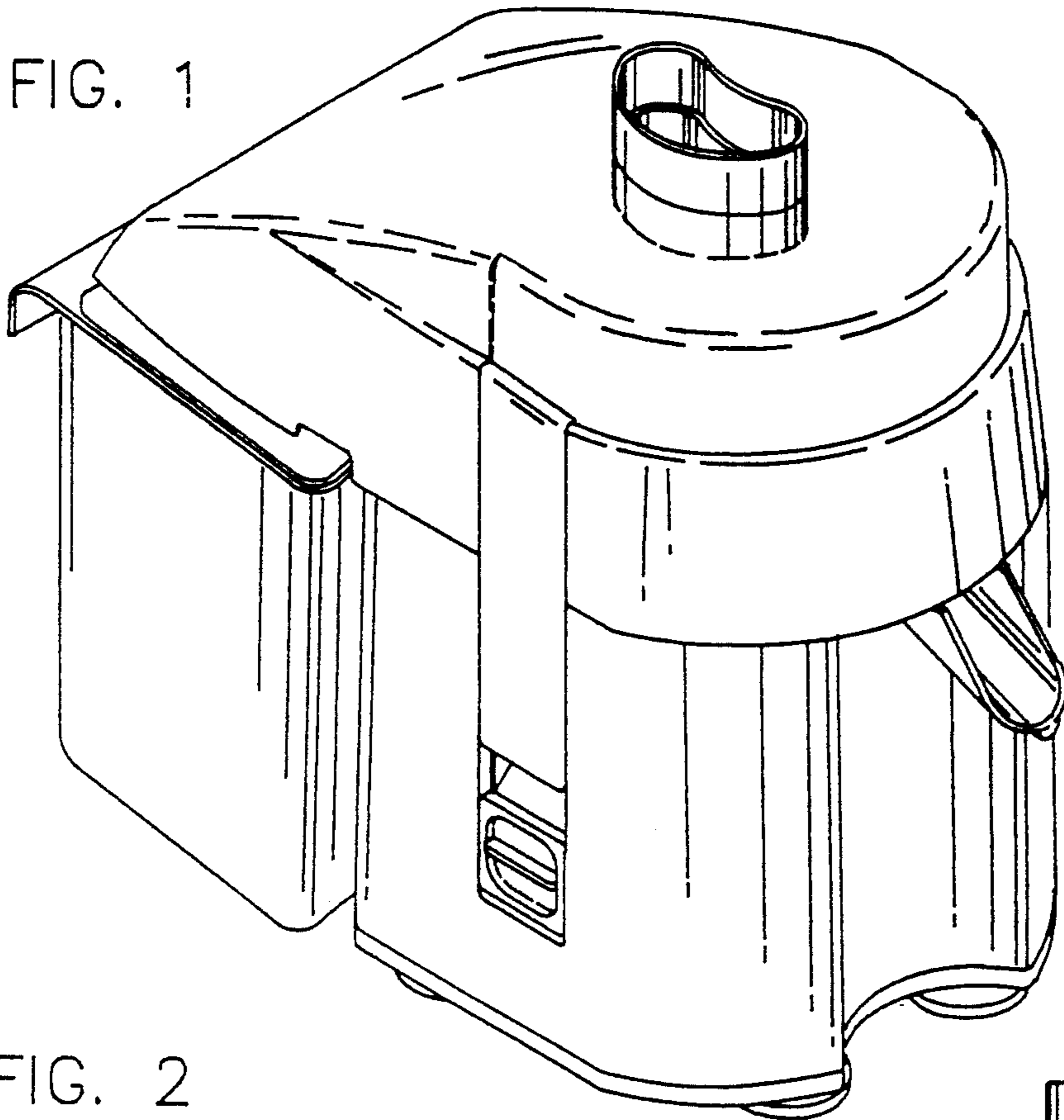


FIG. 2

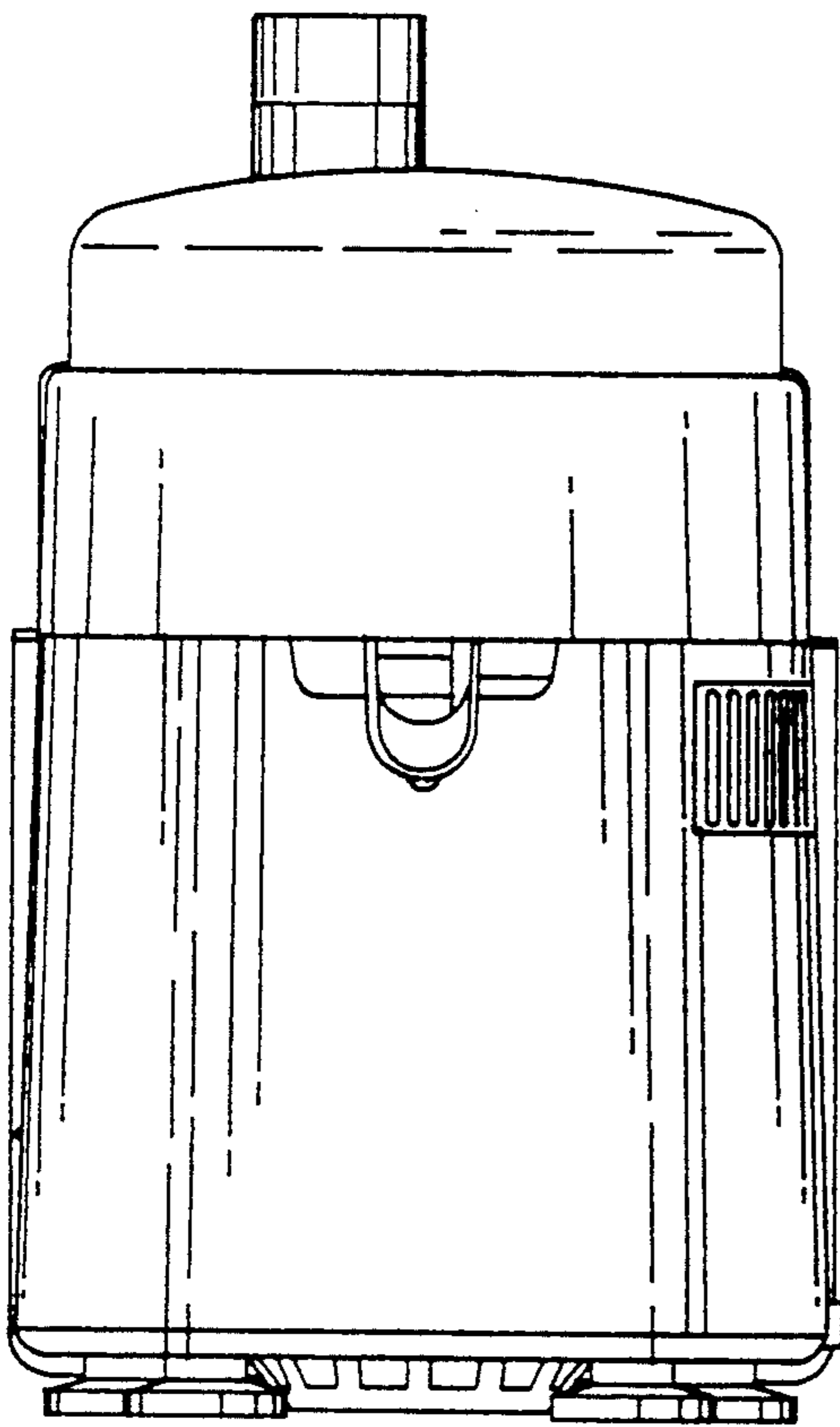
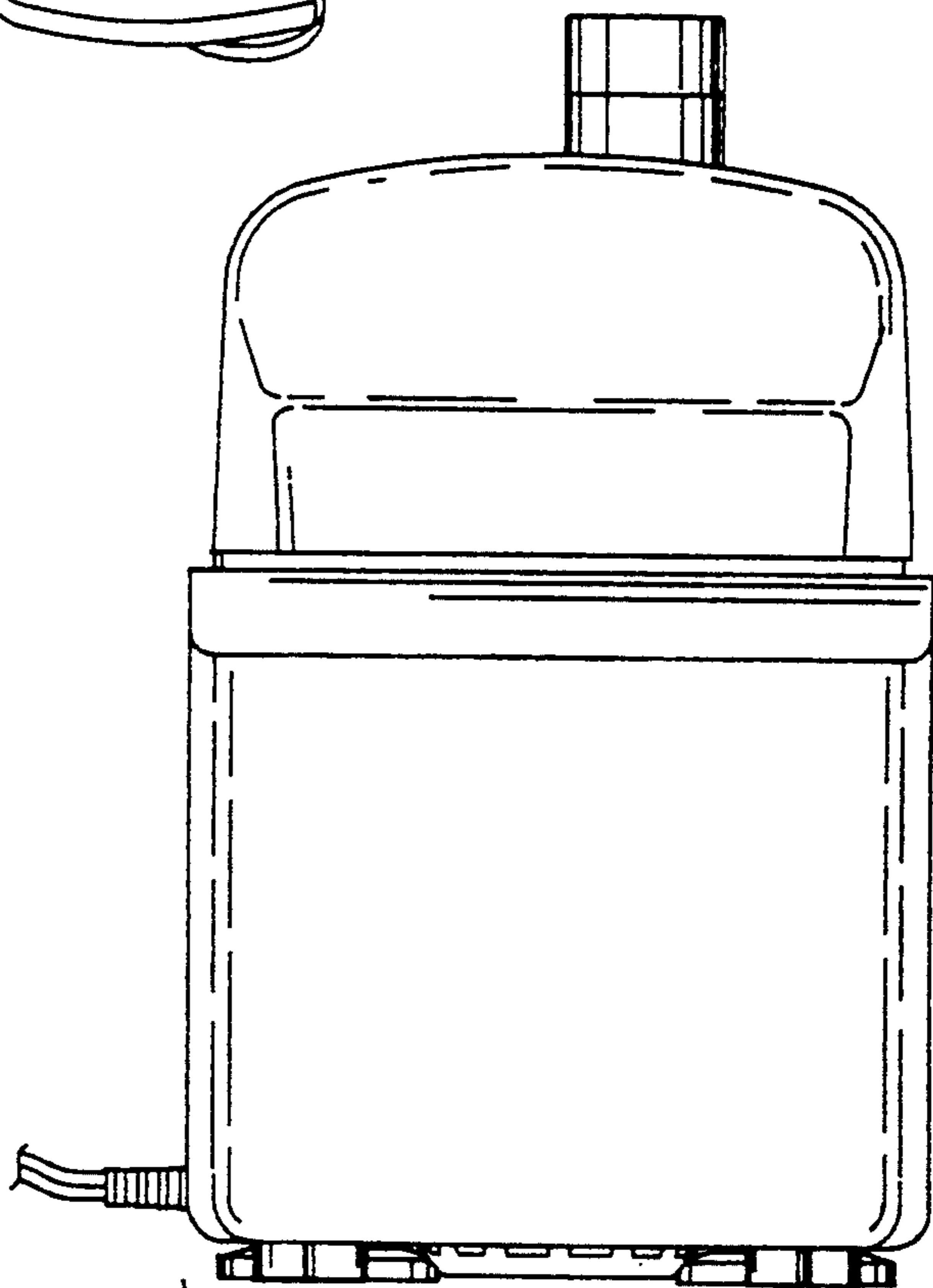


FIG. 3



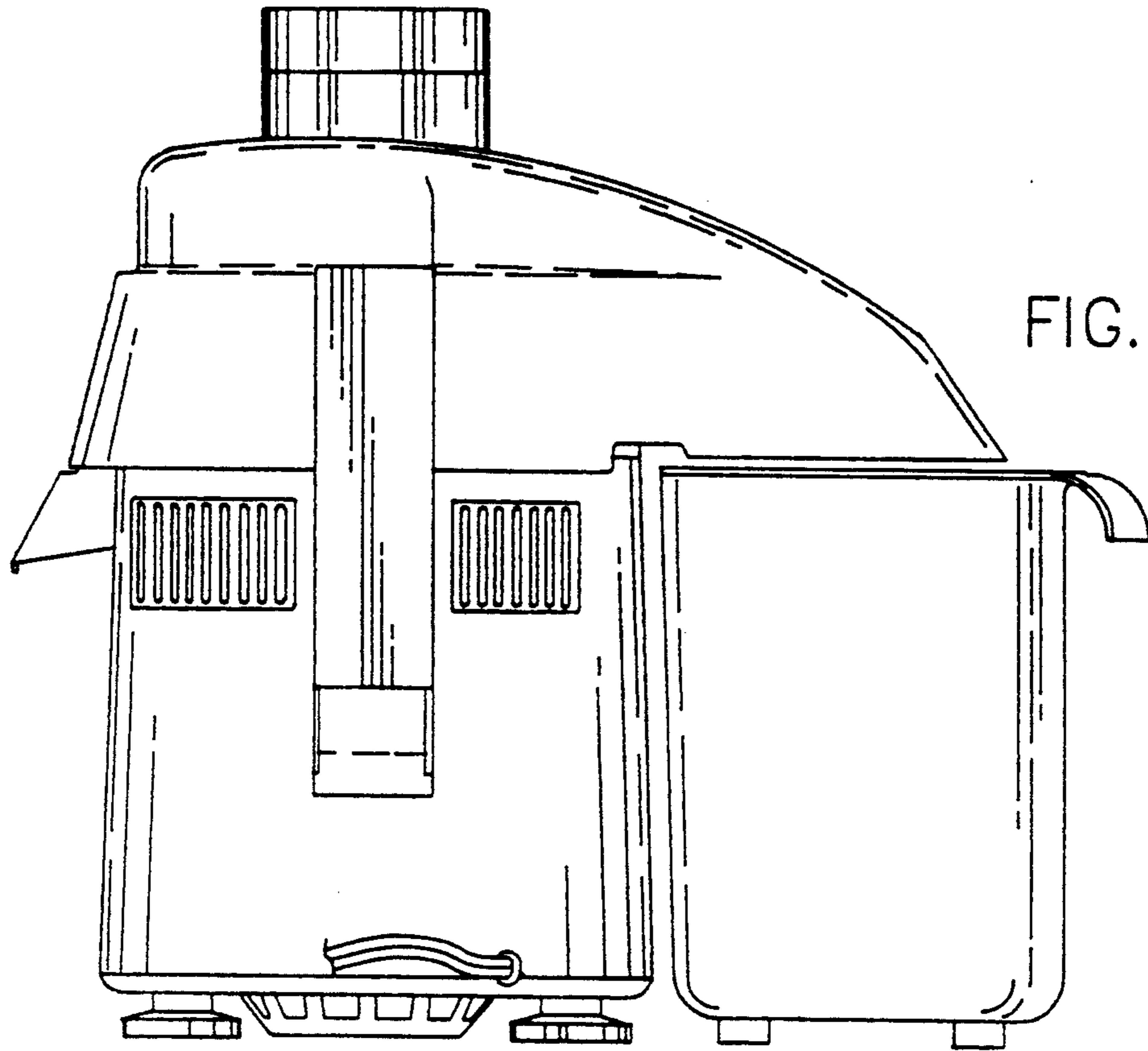


FIG. 4

FIG. 5

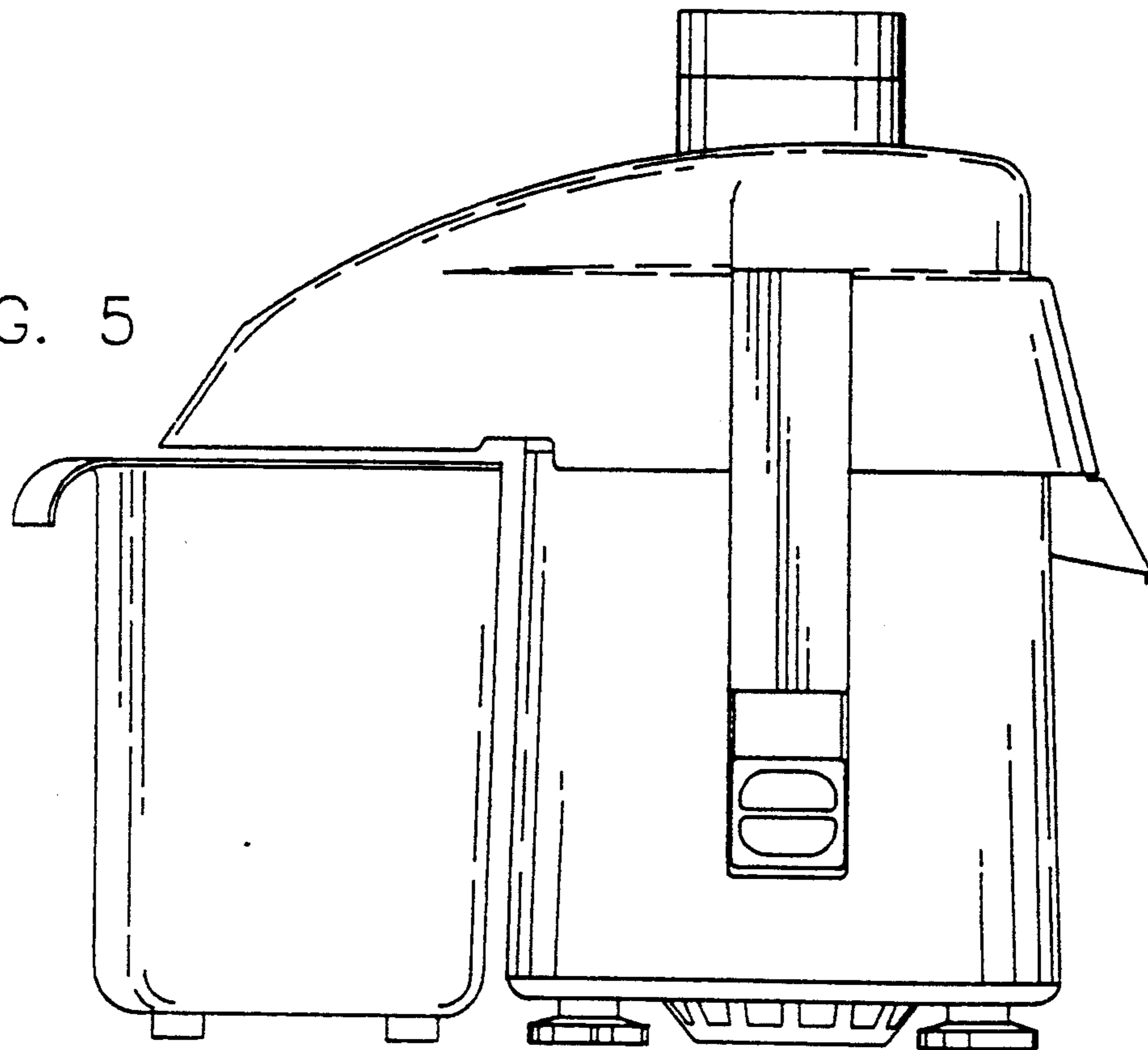


FIG. 6

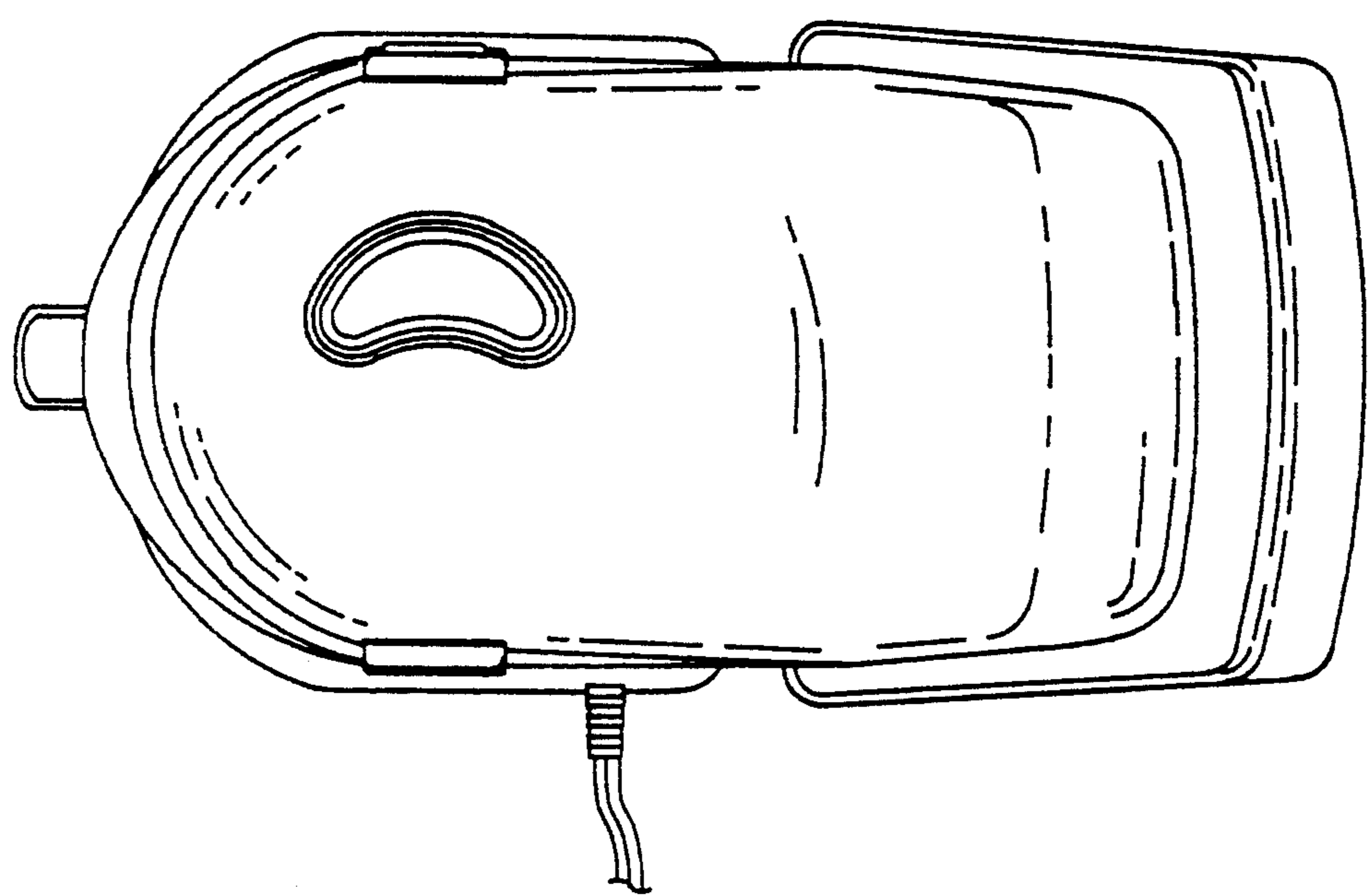


FIG. 7

