



US00D341521S

United States Patent [19]

Norbury et al.

[11] Patent Number: **Des. 341,521**

[45] Date of Patent: **** Nov. 23, 1993**

[54] **PORTABLE TRAY FOR TUMBLERS AND BOWL**

[76] Inventors: **Edmund B. Norbury**, 6626 Sora St.,
Ventura, Calif. 93004; **Alvin J. Kelsch**,
5689 Stanford St.; **Robert Talaugon**,
7374 Airedale Ct., both of
Ventura, Calif. 93003

[**] Term: **14 Years**

[21] Appl. No.: **782,454**

[22] Filed: **Oct. 25, 1991**

[52] U.S. Cl. **D7/616; D7/553**

[58] Field of Search **D7/616-623,**
D7/550-554; 211/71, 74; 229/1.5 H;
220/737-739; 248/311.2; 297/188, 194

[56] **References Cited**

U.S. PATENT DOCUMENTS

D. 61,225	7/1922	Gannon	D7/550
D. 156,924	1/1950	Surina	D7/584
D. 185,809	8/1959	Myers et al.	D7/616
D. 263,784	4/1982	Butler et al.	D7/6
D. 279,837	7/1985	Tanaka	D3/40

2,669,495	2/1954	Foote	297/194
3,036,717	5/1962	Johnson	211/88
3,186,673	6/1965	Olson	297/194
3,282,230	11/1966	Levy	297/194
3,690,724	9/1972	Douglas et al.	297/194
4,195,880	4/1980	Menkhaus	297/194
5,118,063	6/1992	Young, Sr.	297/194 X

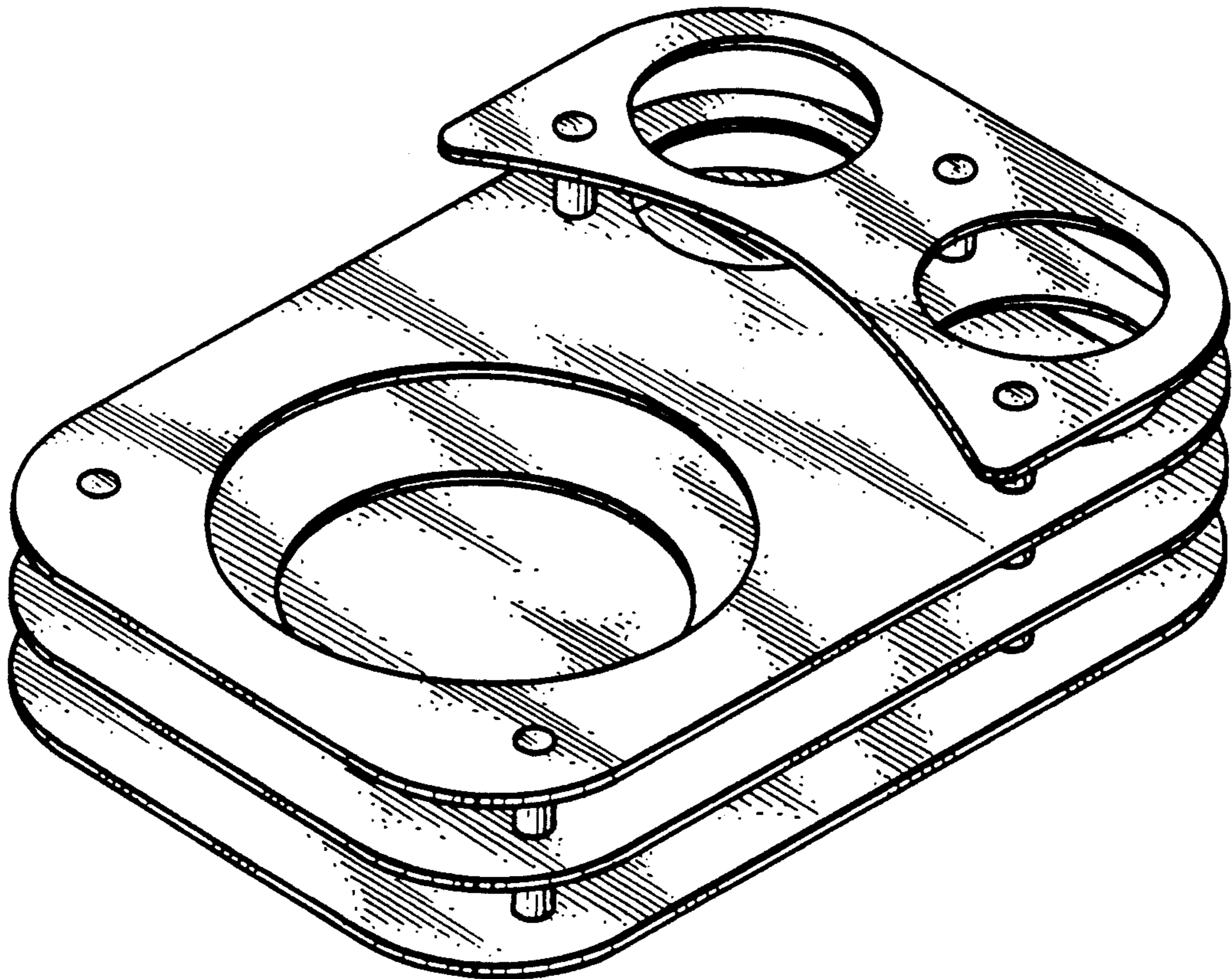
Primary Examiner—Terry A. Pfeffer Wallace
Attorney, Agent, or Firm—Kenneth J. Hovet

[57] **CLAIM**

The ornamental design for a portable tray for tumblers and bowl, as shown and described.

DESCRIPTION

FIG. 1 is an upper right side perspective view of a portable tray for tumblers and bowls showing our new design;
FIG. 2 is a front end elevational view of the tray shown in FIG. 1;
FIG. 3 is a right side elevational view thereof, the left side being identical thereto;
FIG. 4 is a back end elevational view thereof;
FIG. 5 is a top plan view thereof; and,
FIG. 6 is a bottom plan view thereof.



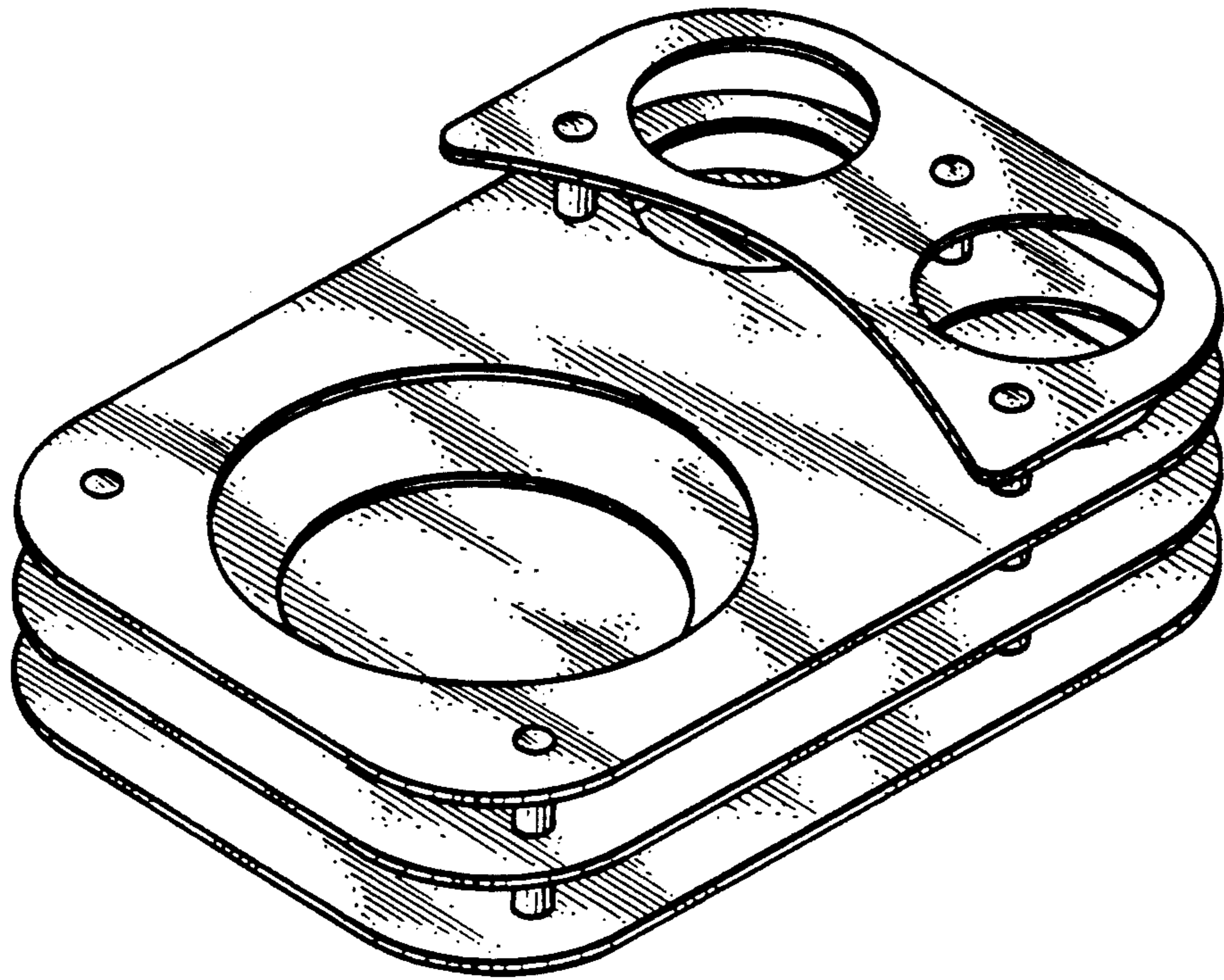


Fig. 1.

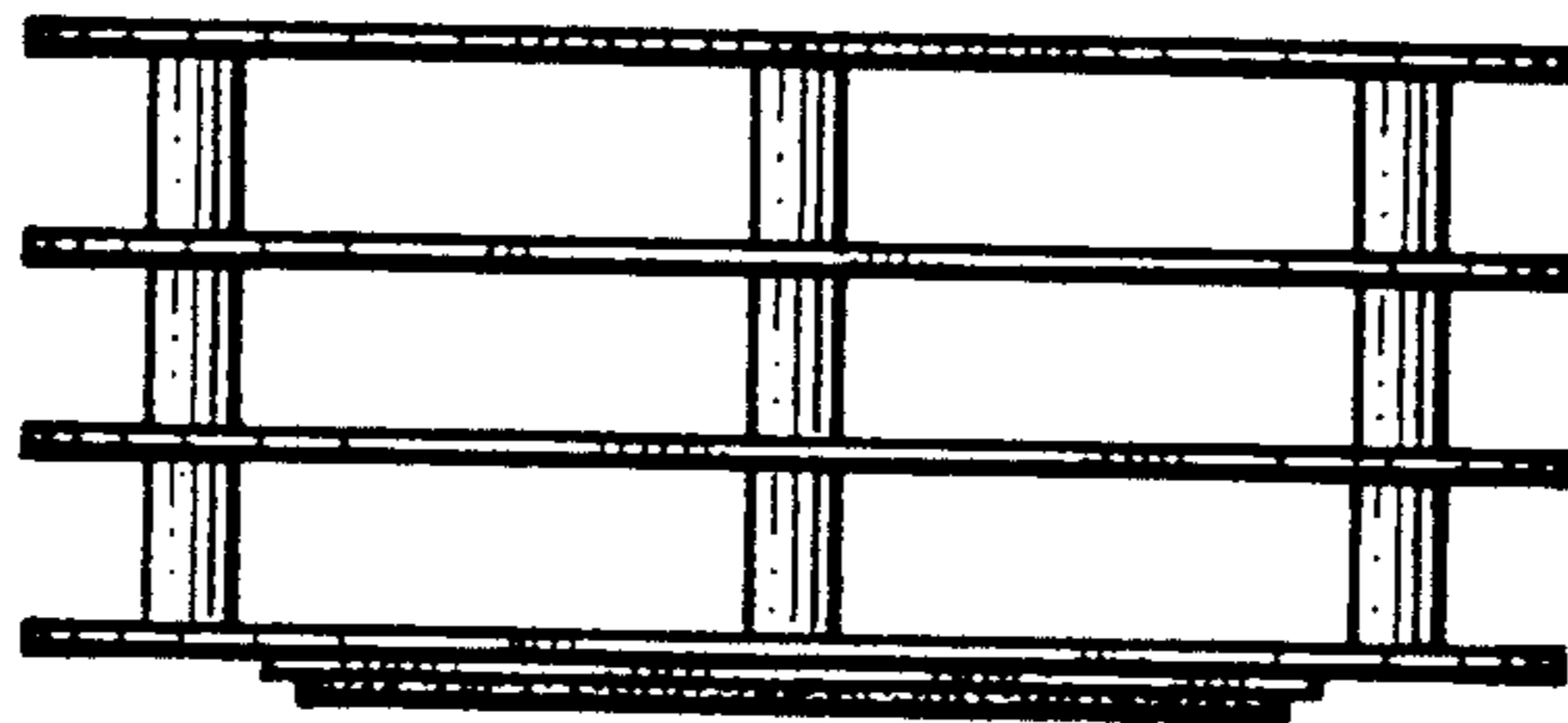


Fig. 2.

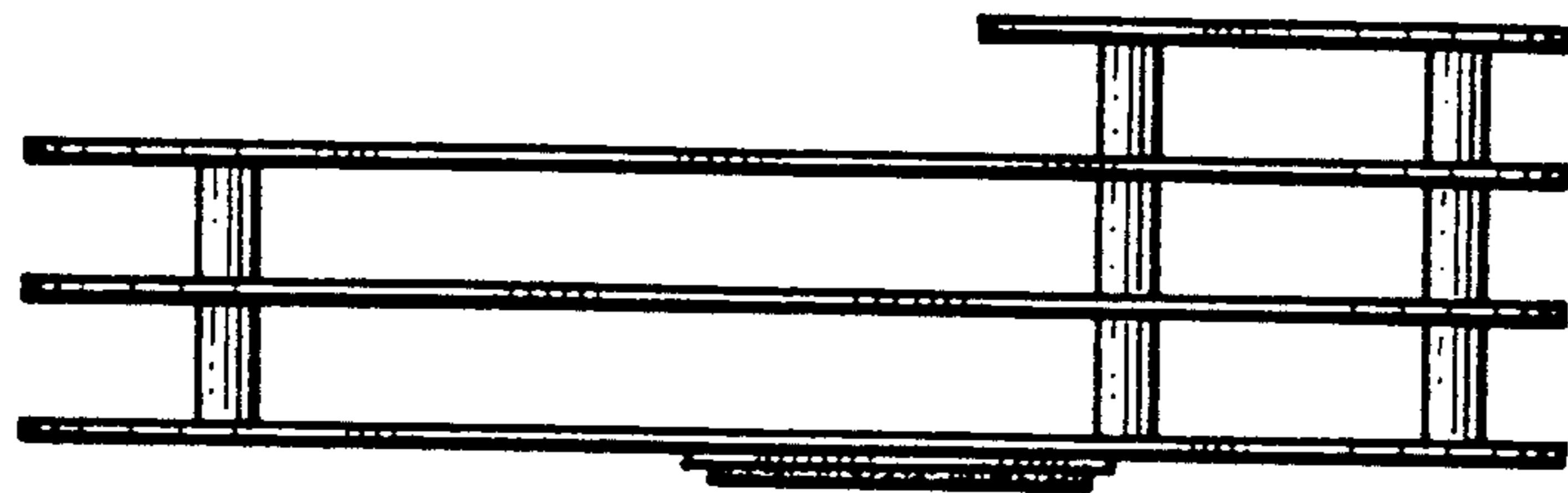


Fig. 3.

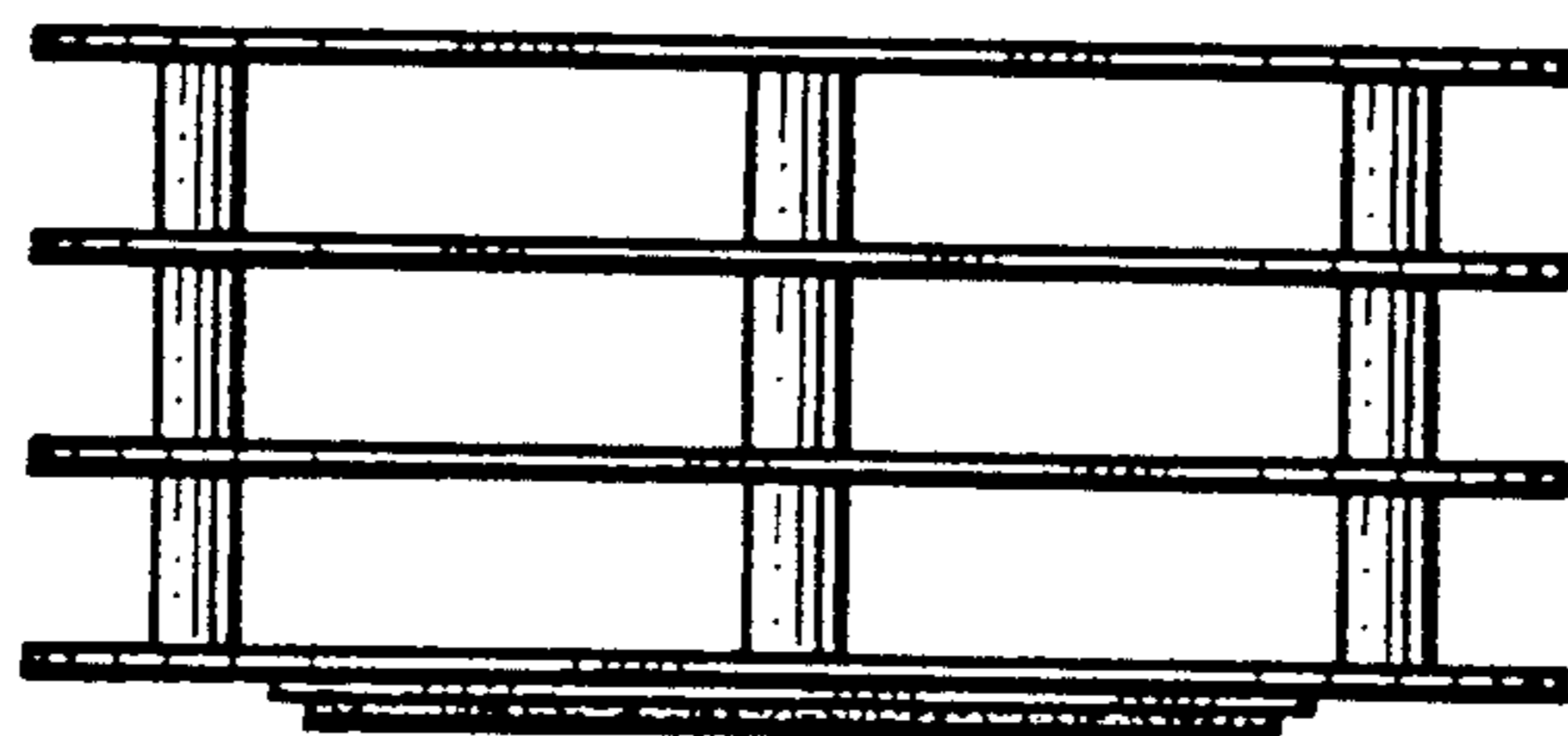


Fig. 4.

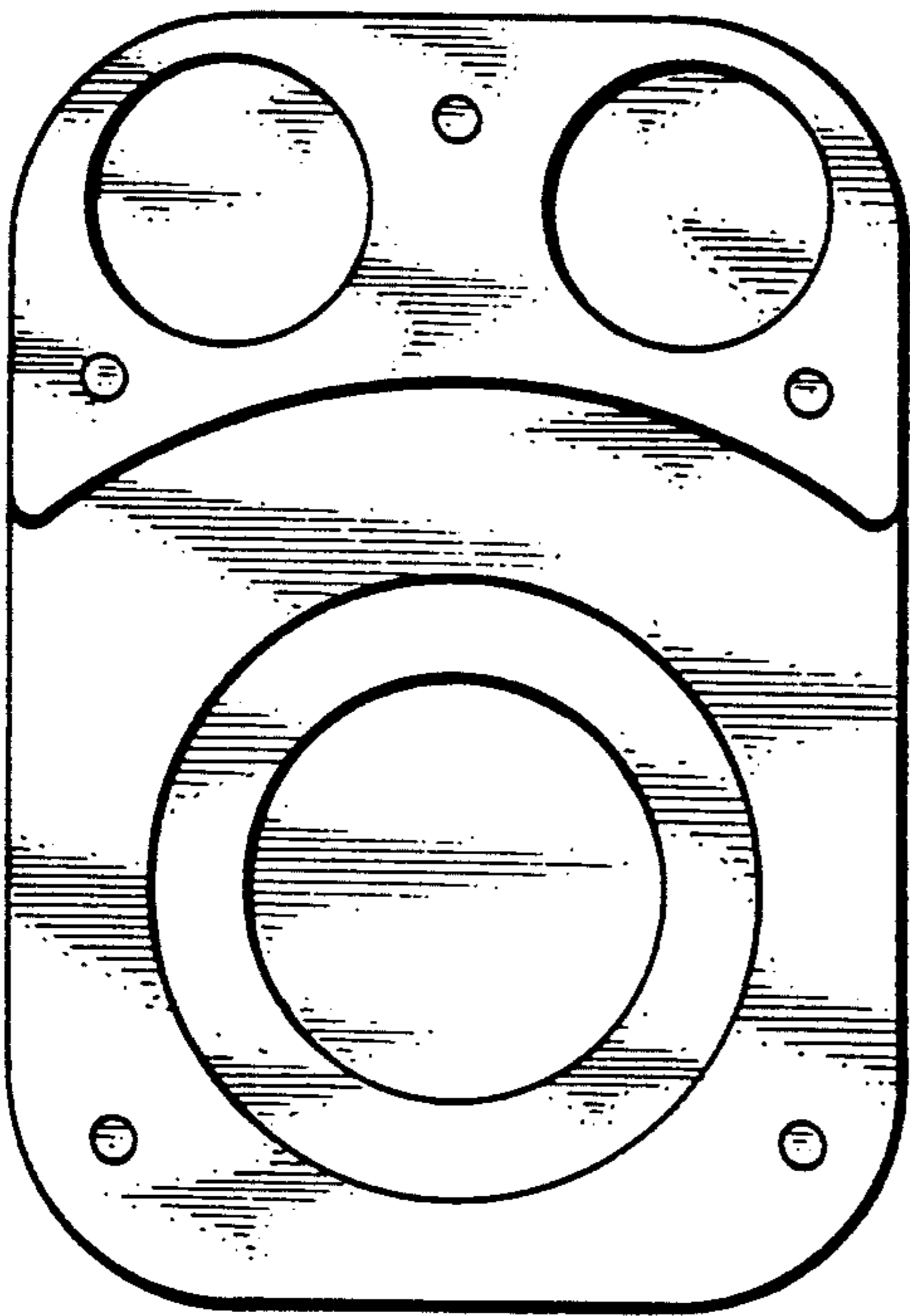


Fig. 5.

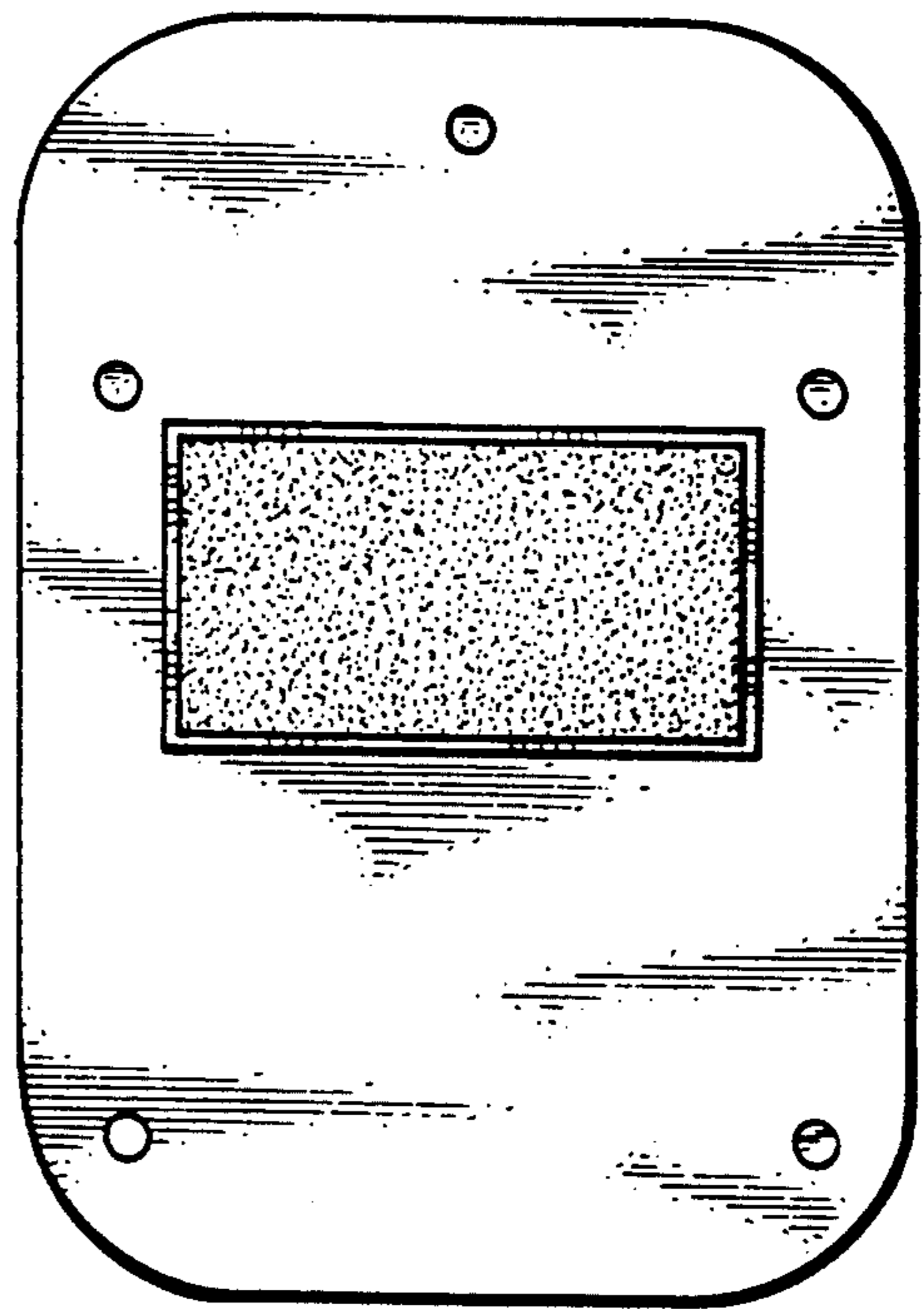


Fig. 6.