



US00D341517S

United States Patent [19]

[11] Patent Number: **Des. 341,517**

Machuron

[45] Date of Patent: **** Nov. 23, 1993**

[54] **FOOD PROCESSOR**

D. 298,204 10/1988 Mikami D7/378 X
D. 302,228 7/1989 Barrault D7/384

[75] Inventor: **Robert Machuron, Saint-Vallier, France**

OTHER PUBLICATIONS

[73] Assignee: **Ronic Industries, Nice, France**

Best Catalog; 1982/83; p. 209; #5 La Machine II; middle row.

[**] Term: **14 Years**

Primary Examiner—Alan P. Douglas
Assistant Examiner—Caron D. Veynar
Attorney, Agent, or Firm—Laubscher & Laubscher

[21] Appl. No.: **744,789**

[22] Filed: **Aug. 14, 1991**

[52] U.S. Cl. **D7/384; D7/376**

[58] Field of Search **D7/376-384, D7/386, 412; 241/37.5, 92, 93, 101.1, 199.12, 282.1, 282.2**

[57] **CLAIM**

The ornamental design for a food processor, as shown.

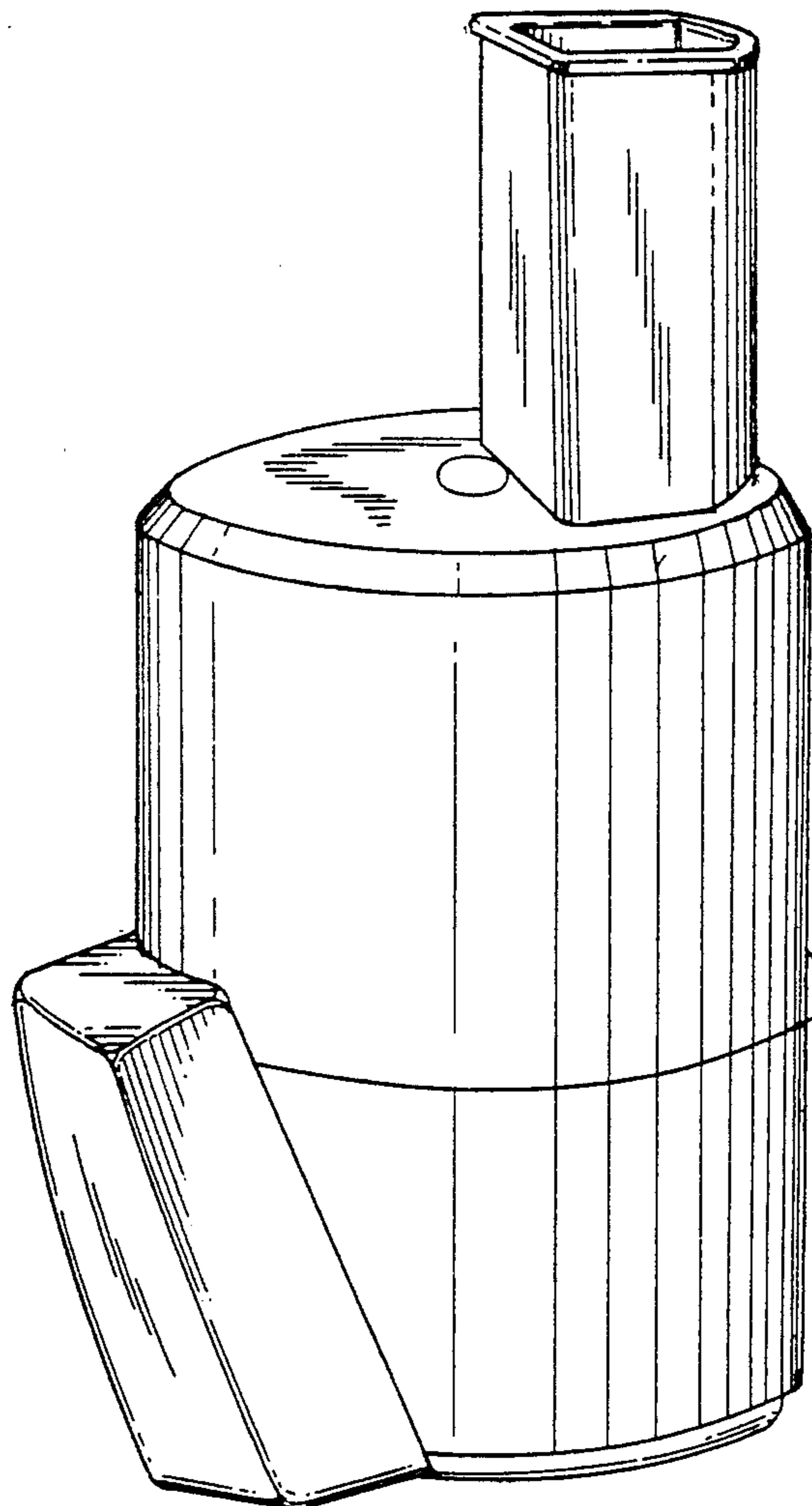
DESCRIPTION

[56] **References Cited**

U.S. PATENT DOCUMENTS

- D. 251,407 3/1979 Tsuji et al. D7/384
- D. 256,766 9/1980 Amiot D7/384
- D. 287,327 12/1986 Cavalli D7/384
- D. 290,677 7/1987 Stutzer et al. D7/383 X
- D. 292,260 10/1987 Barrault D7/384

FIG. 1 is a front perspective view of a food processor showing my new design;
FIG. 2 is a front elevational view thereof;
FIG. 3 is a rear elevational view thereof;
FIG. 4 is a left side elevational view thereof;
FIG. 5 is a right side elevational view thereof;
FIG. 6 is a bottom plan view thereof; and,
FIG. 7 is a top plan view thereof.



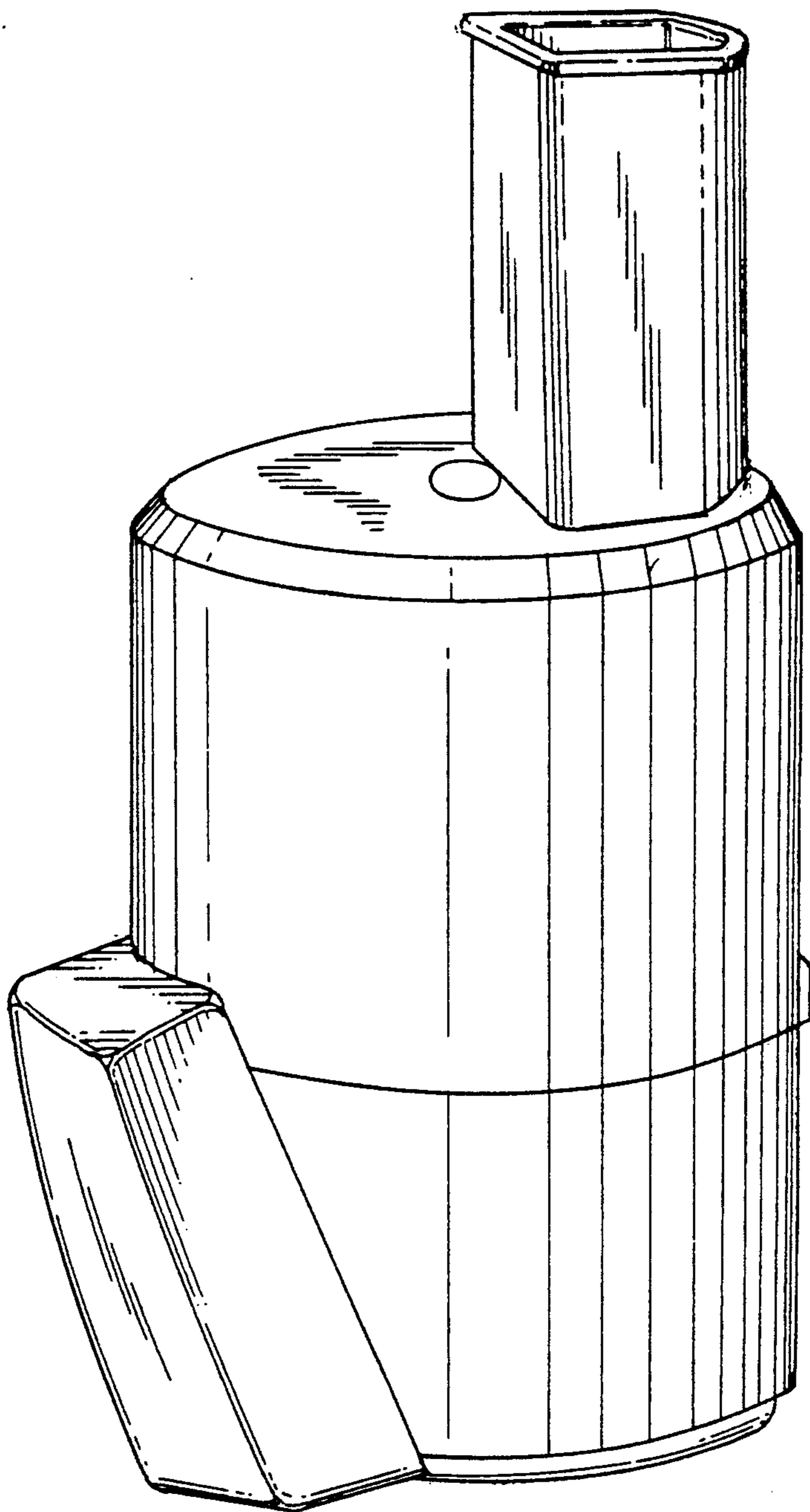


FIG. 1

FIG. 2

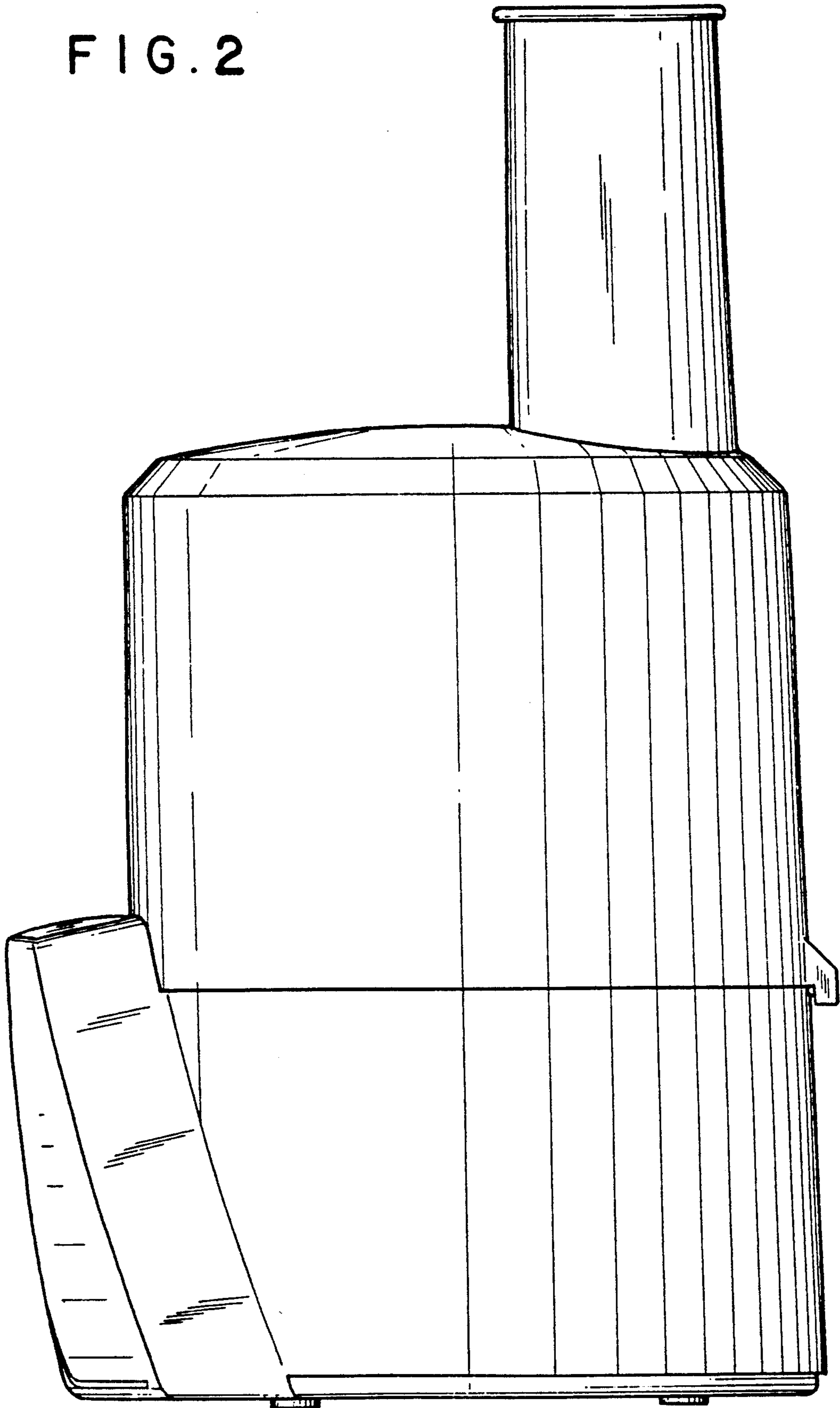


FIG. 3

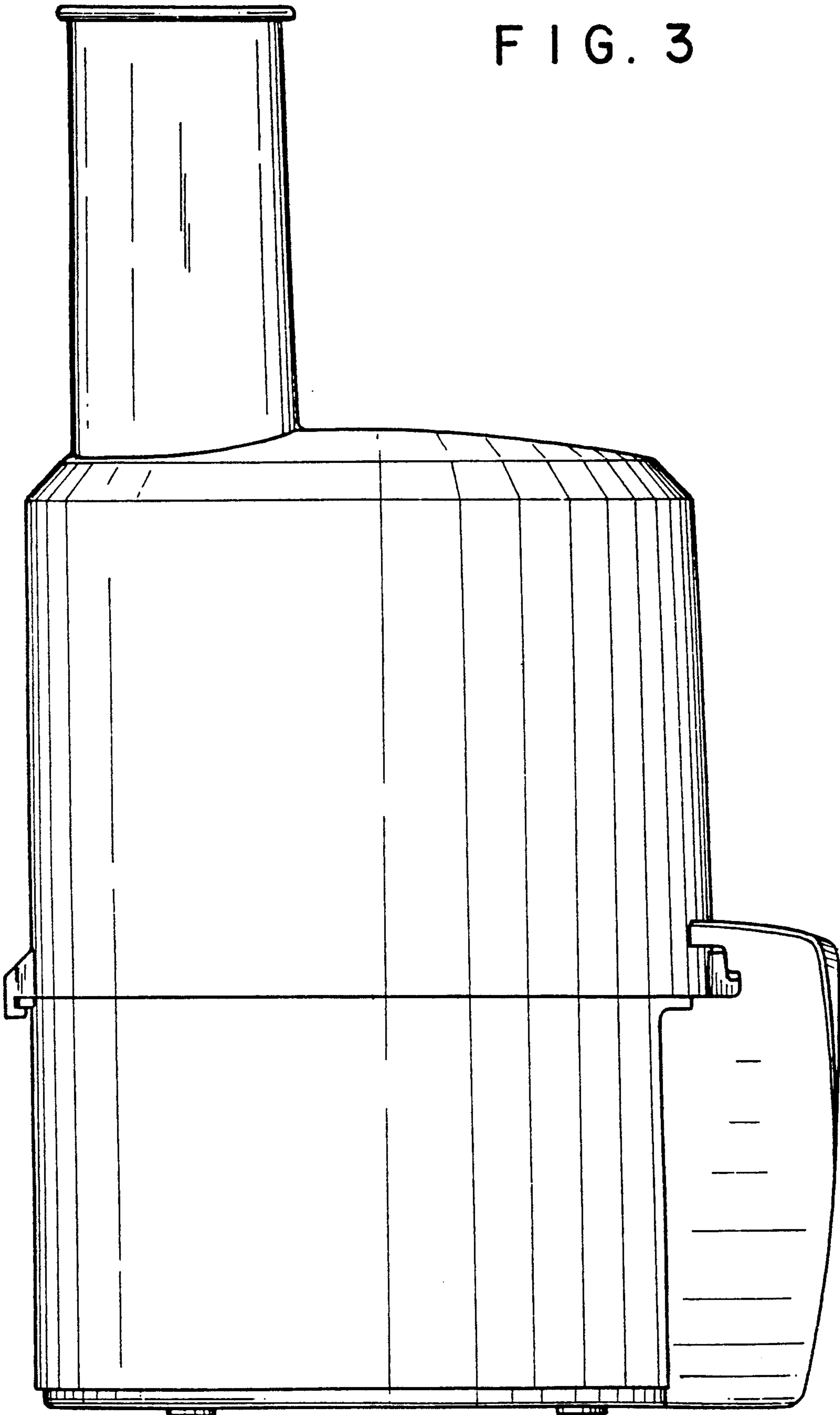


FIG. 4

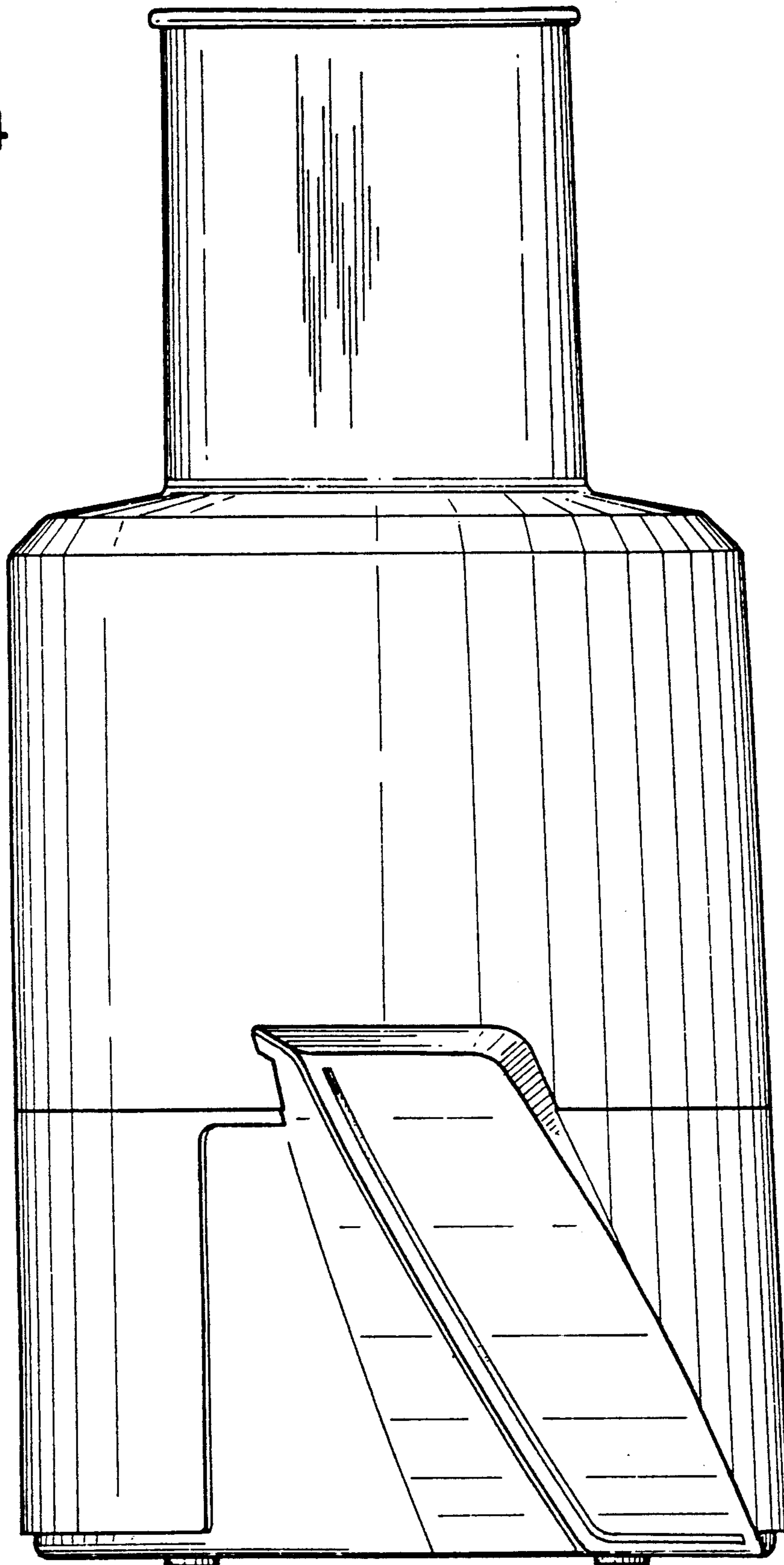


FIG. 5

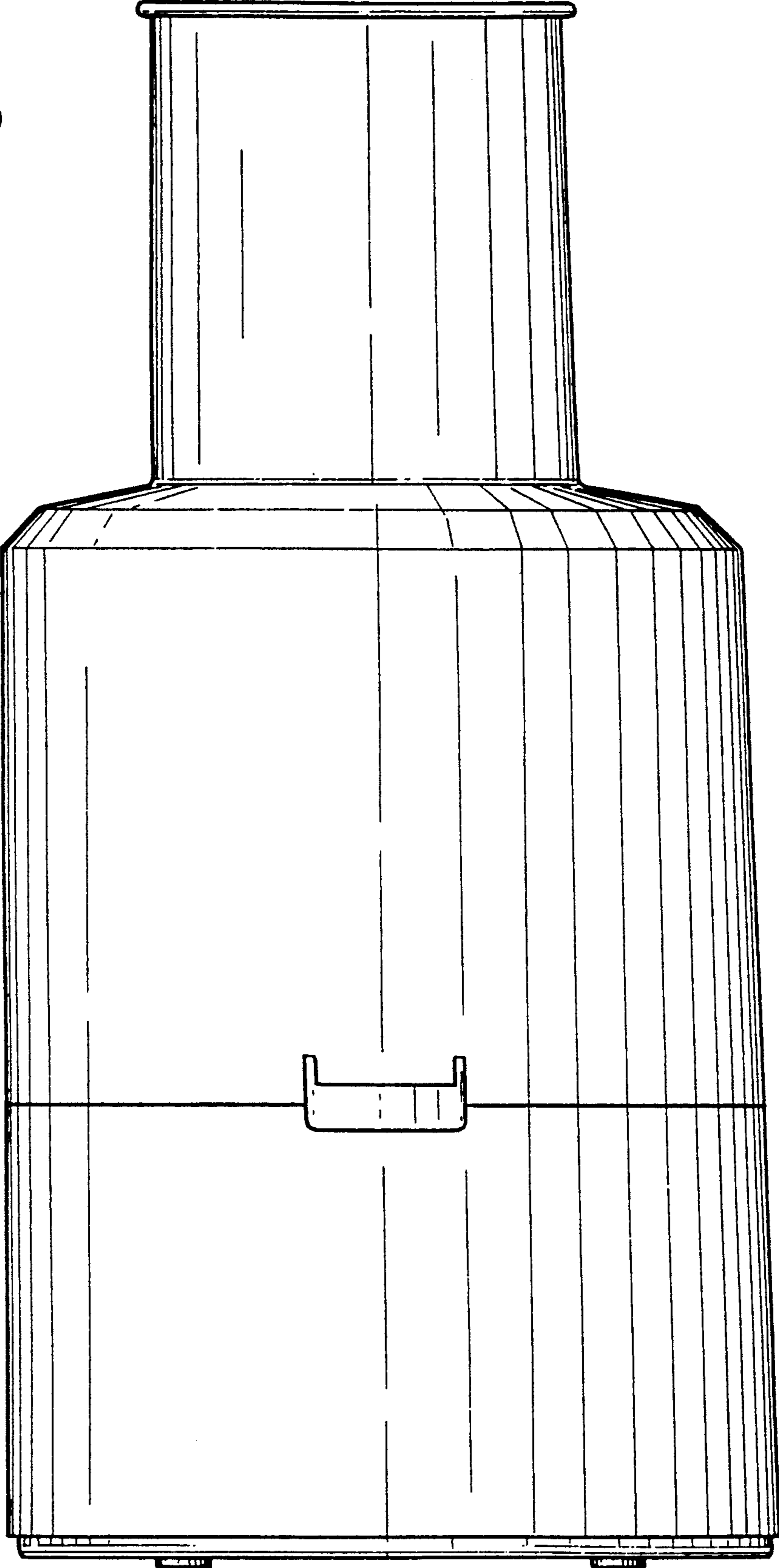


FIG. 6

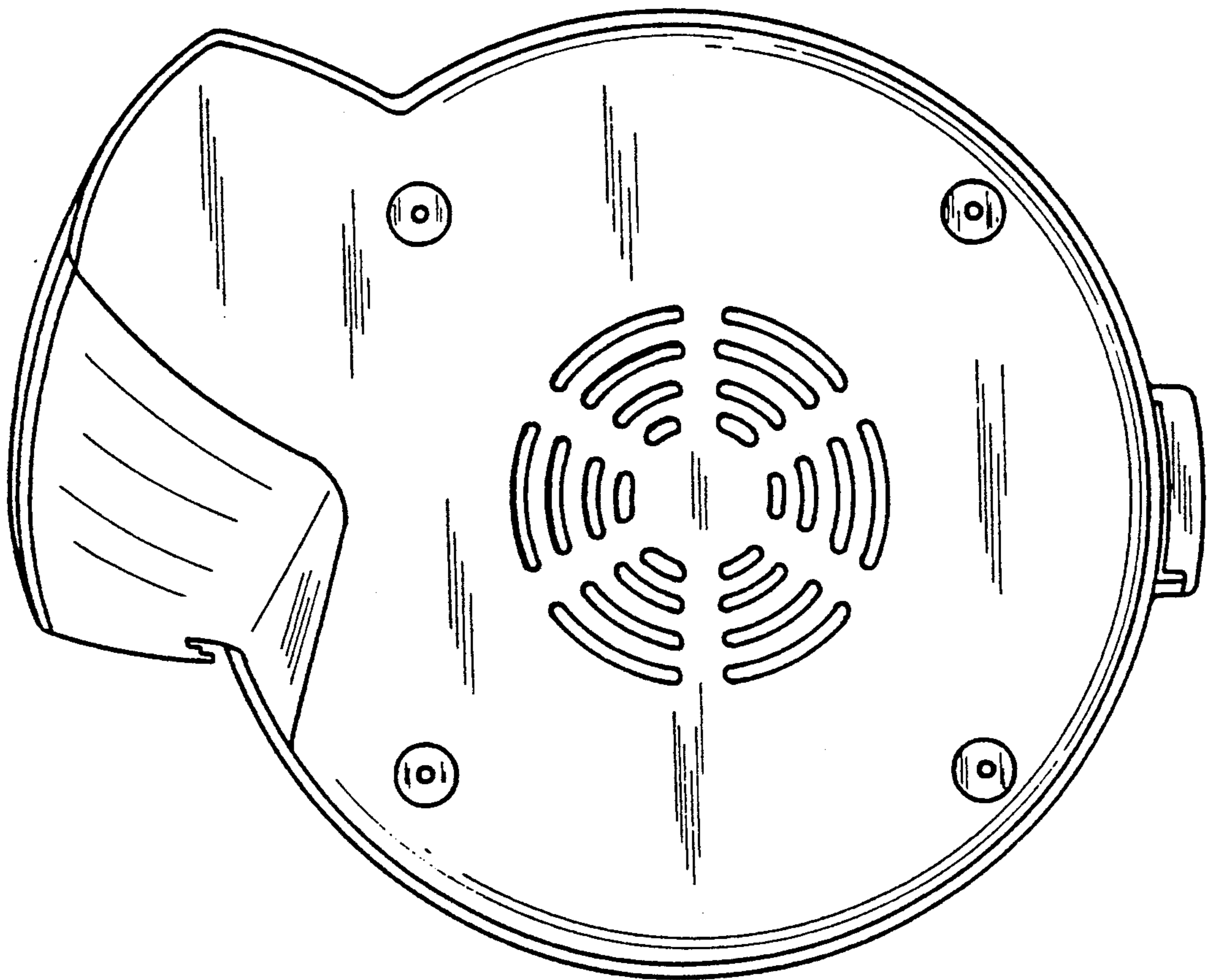


FIG. 7

