



US00D341513S

# United States Patent [19]

[11] Patent Number: **Des. 341,513**

Reeves et al.

[45] Date of Patent: **\*\* Nov. 23, 1993**

## [54] TRANSPORTABLE COMBINATION BEACH TOWEL AND PILLOW

### FOREIGN PATENT DOCUMENTS

2446622 9/1980 France ..... 5/419

[76] Inventors: **Brian M. Reeves**, 28501 La Falda;  
**Gregory M. Black**, 54 Corniche Dr.,  
Apt. C, both of Laguana Niguel,  
Calif. 92677

*Primary Examiner*—Wallace R. Burke  
*Assistant Examiner*—Lisa Lichtenstein  
*Attorney, Agent, or Firm*—James G. O'Neill

[\*\*] Term: **14 Years**

### [57] CLAIM

The ornamental design for a transportable combination beach towel and pillow, as shown and described.

[21] Appl. No.: **855,861**

### DESCRIPTION

[22] Filed: **Mar. 23, 1992**

[52] U.S. Cl. .... **D6/596; D6/608;**  
5/419

FIG. 1 is a perspective view of a transportable combination beach towel and pillow showing our design, taken from the top looking toward the left hand side, with the right hand side thereof being the mirror image of the left hand side shown;

[58] Field of Search ..... **D6/608, 601, 595, 603,**  
**D6/596; D3/43; 5/417-420**

FIG. 2 is a top plan view of our design as shown in FIG. 1;

### [56] References Cited

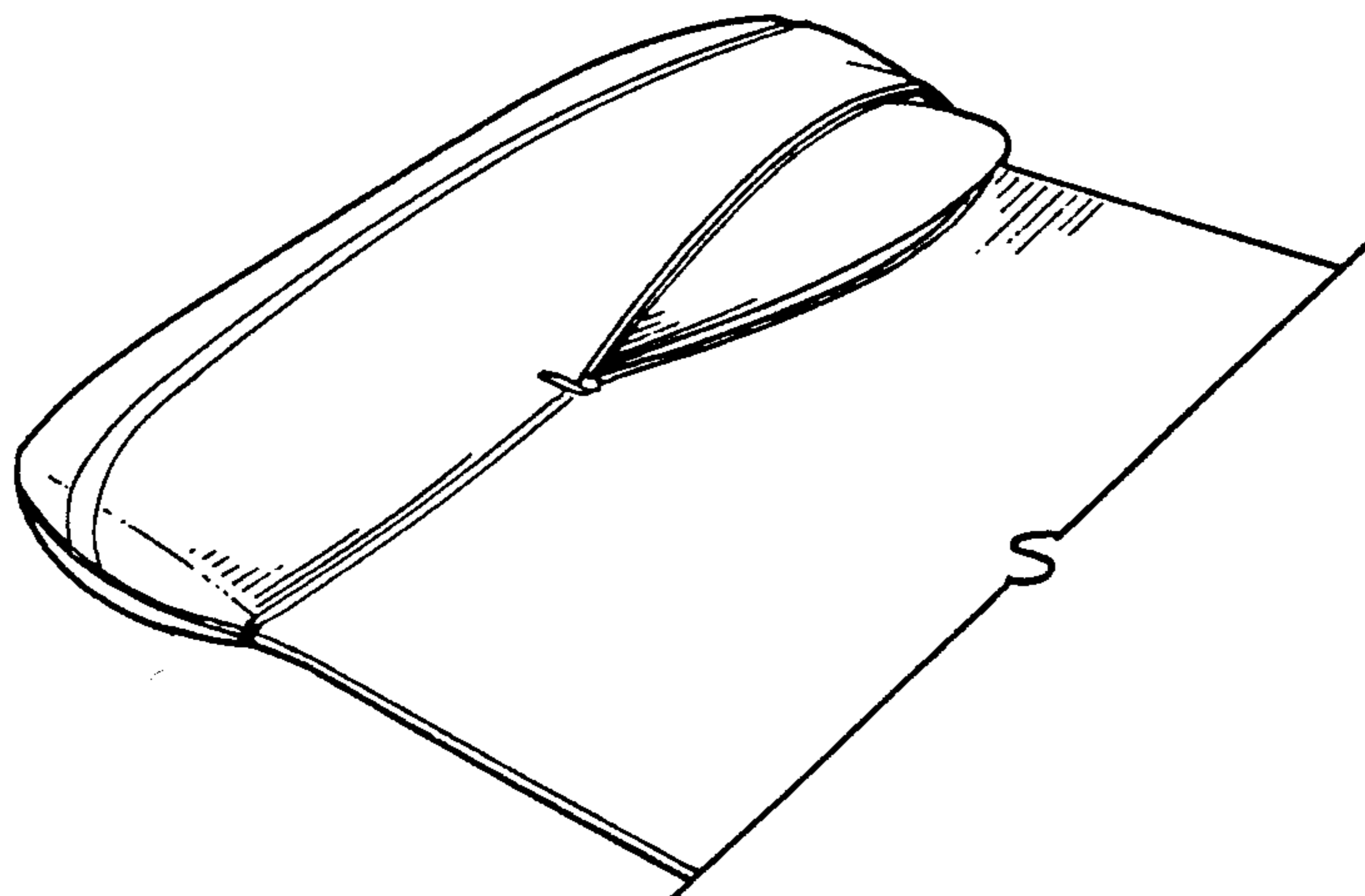
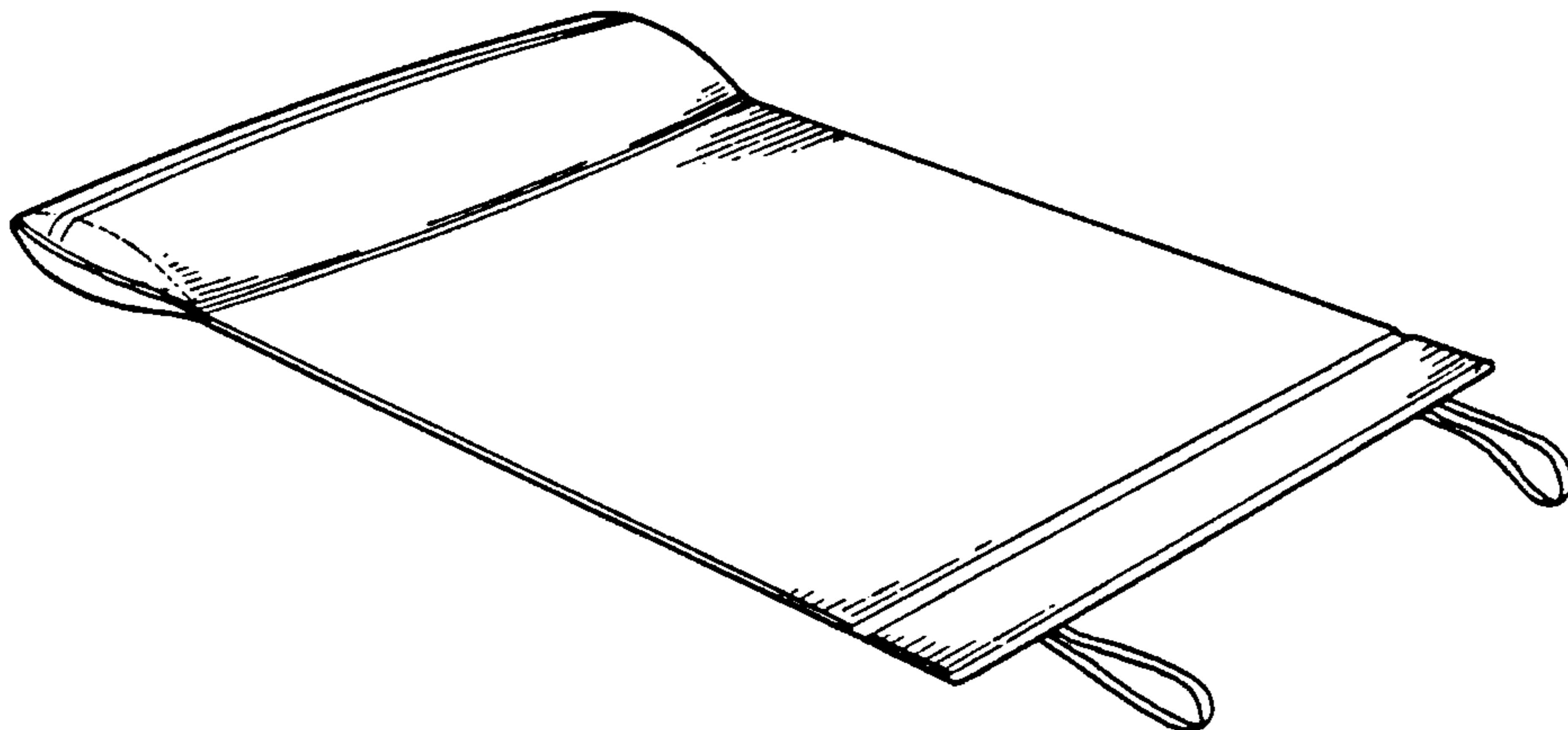
#### U.S. PATENT DOCUMENTS

1,237,243	8/1917	Conner	.....	D6/596
4,195,378	4/1980	Parker	.....	D6/596
4,546,507	10/1985	Weinstein	.....	5/417
4,841,587	6/1989	Carter et al.	.....	5/419
4,991,245	2/1991	Franco	.....	5/485
5,010,610	4/1991	Ackley	.....	5/420

FIG. 3 is a bottom plan view of our design as shown in FIG. 1;

FIG. 4 is a perspective view of our design in the rolled-up position; and,

FIG. 5 is an enlarged perspective view of a portion of our new design, as shown in FIG. 1, with the pillow pocket closure member partially opened and the pillow partially removed from the pocket.



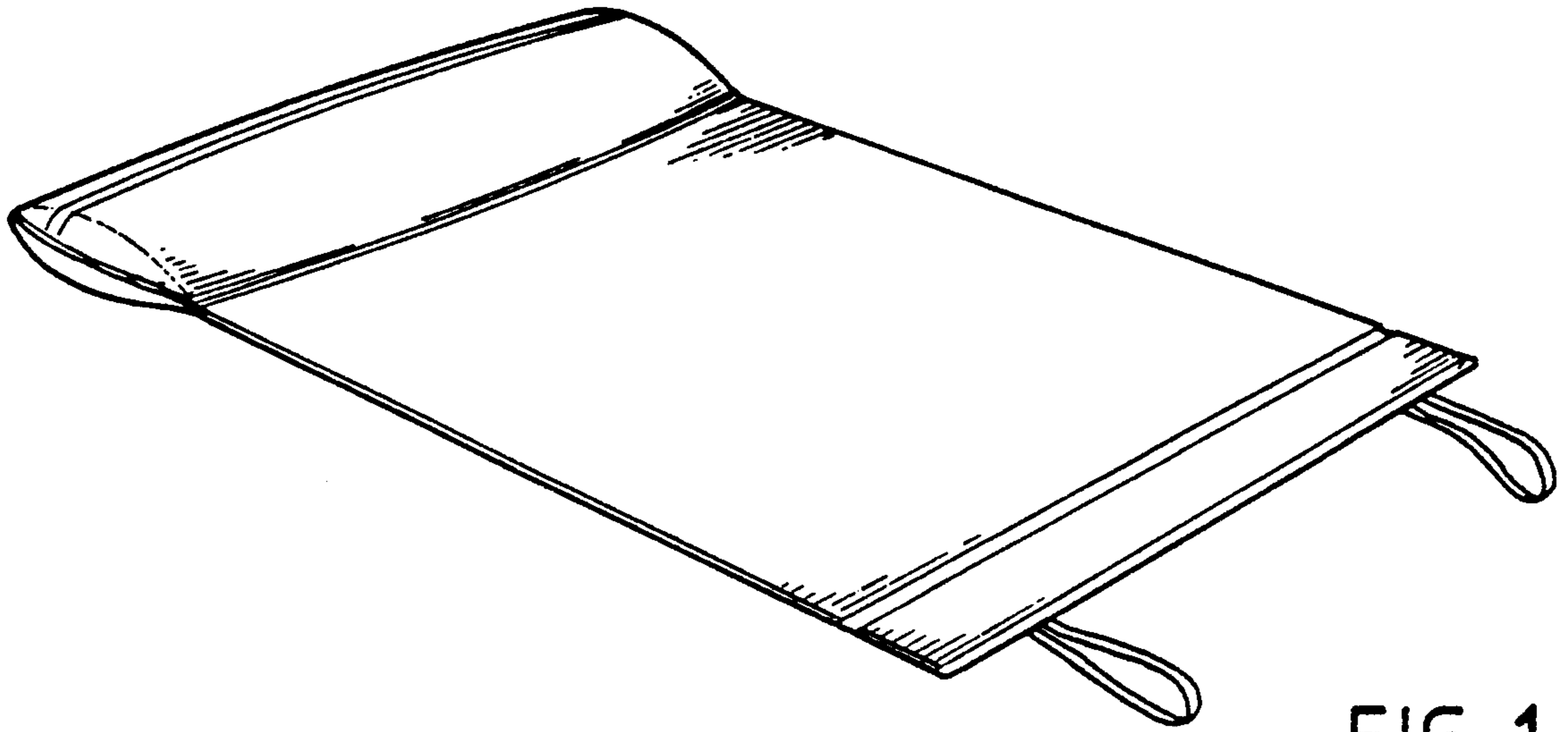


FIG. 1

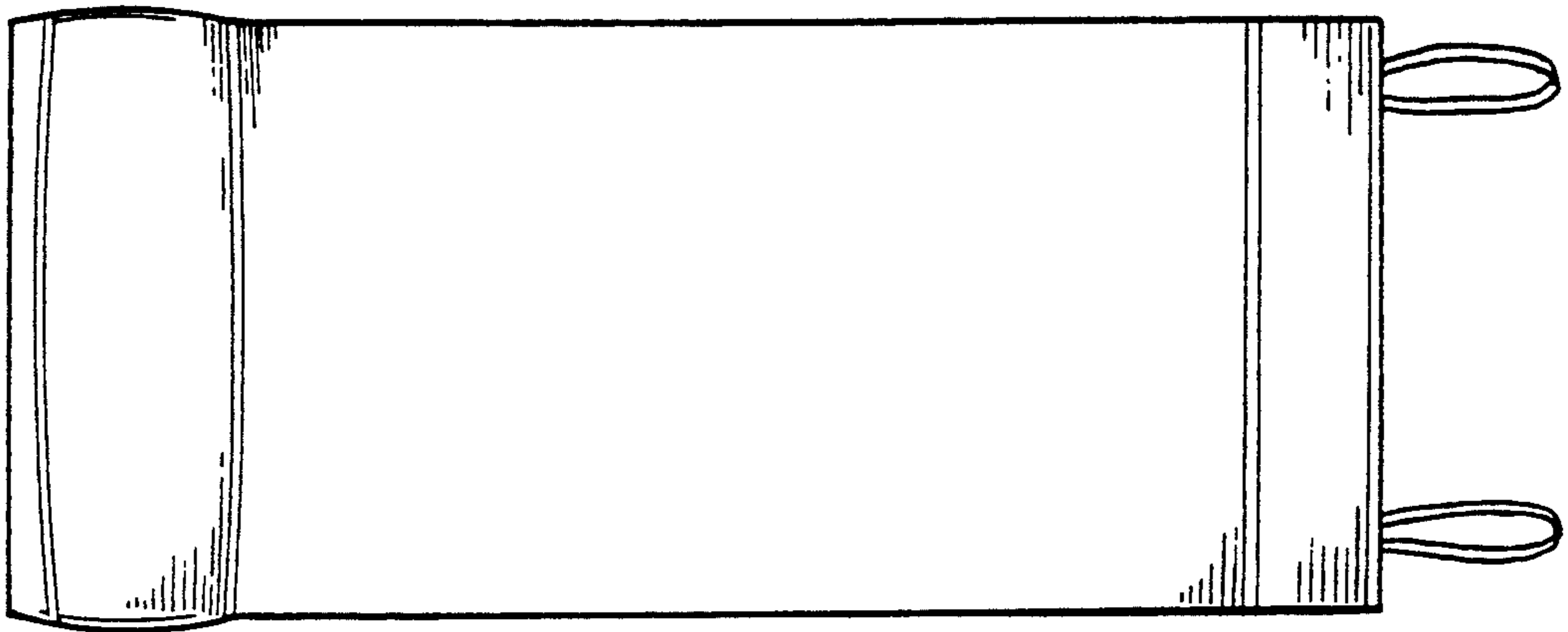


FIG. 2

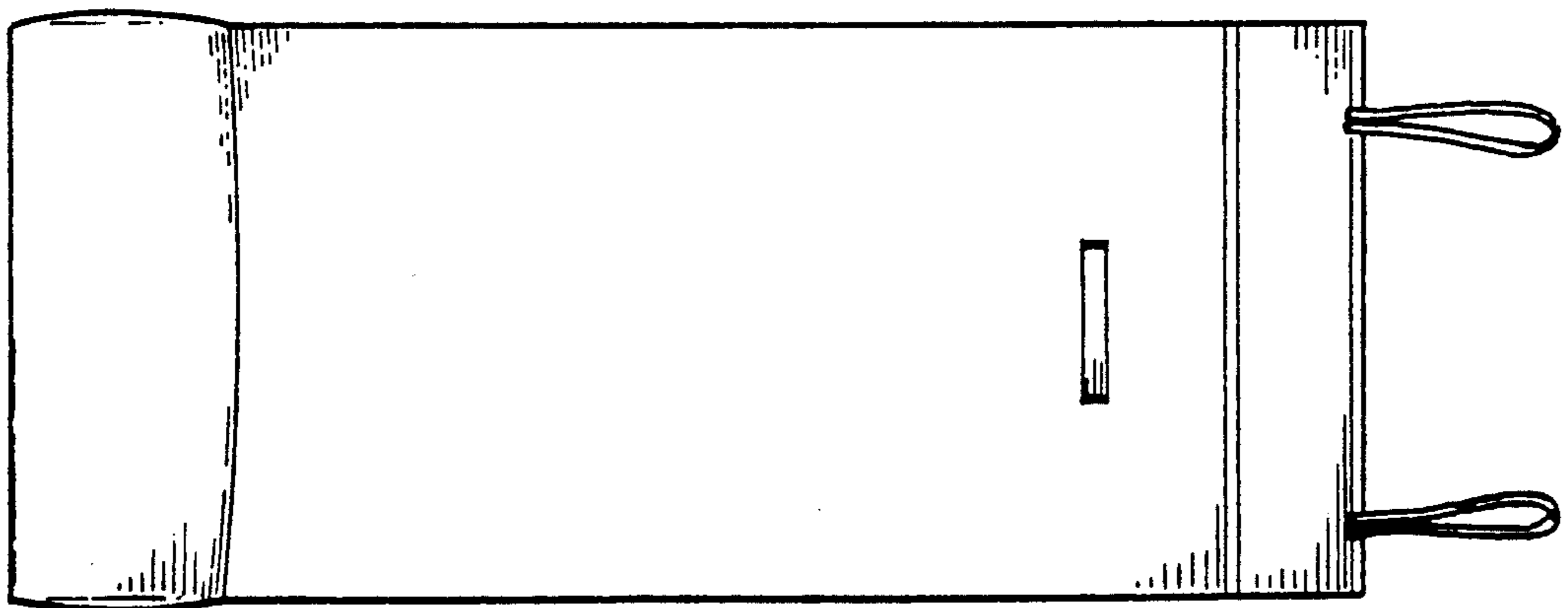


FIG. 3

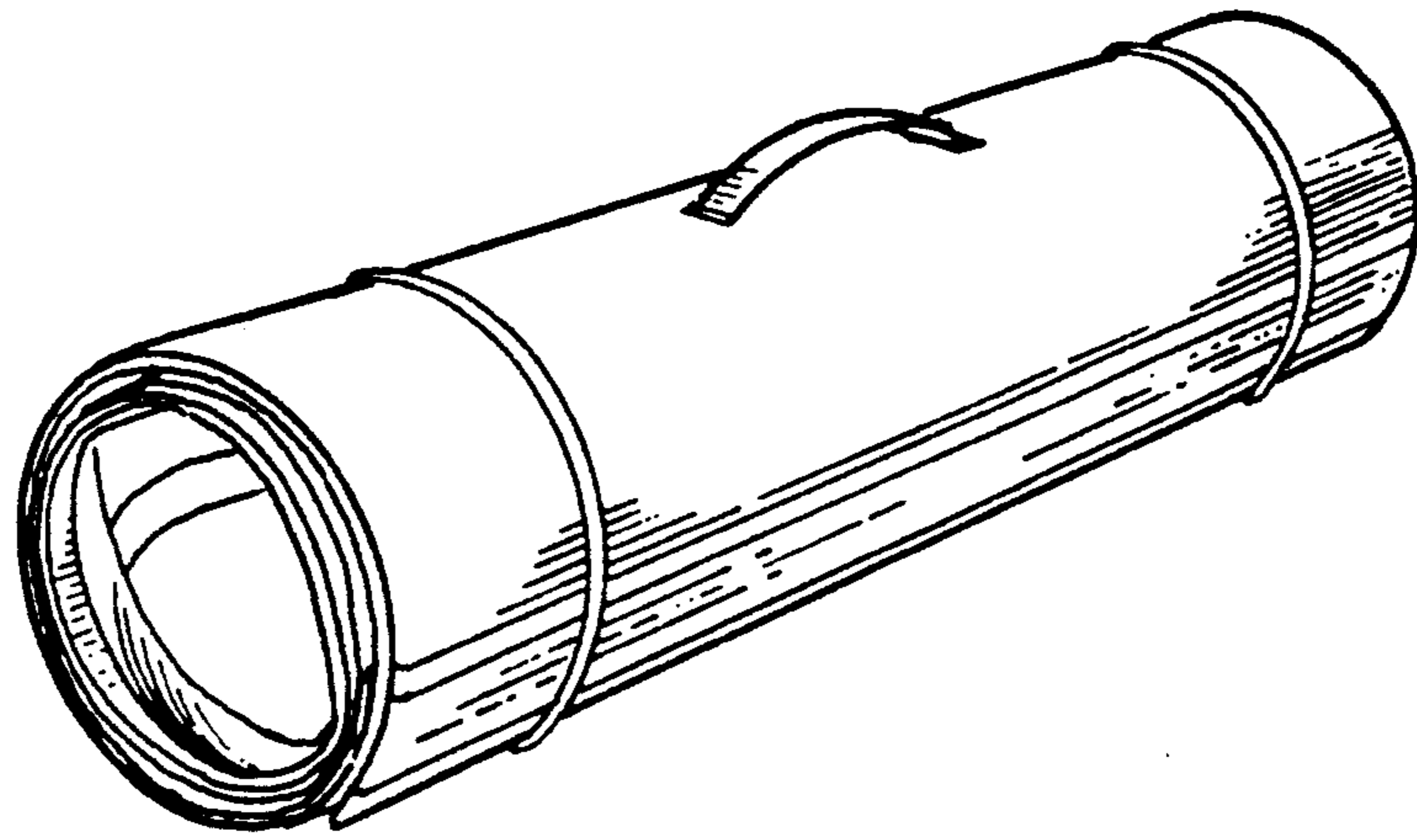


FIG. 4

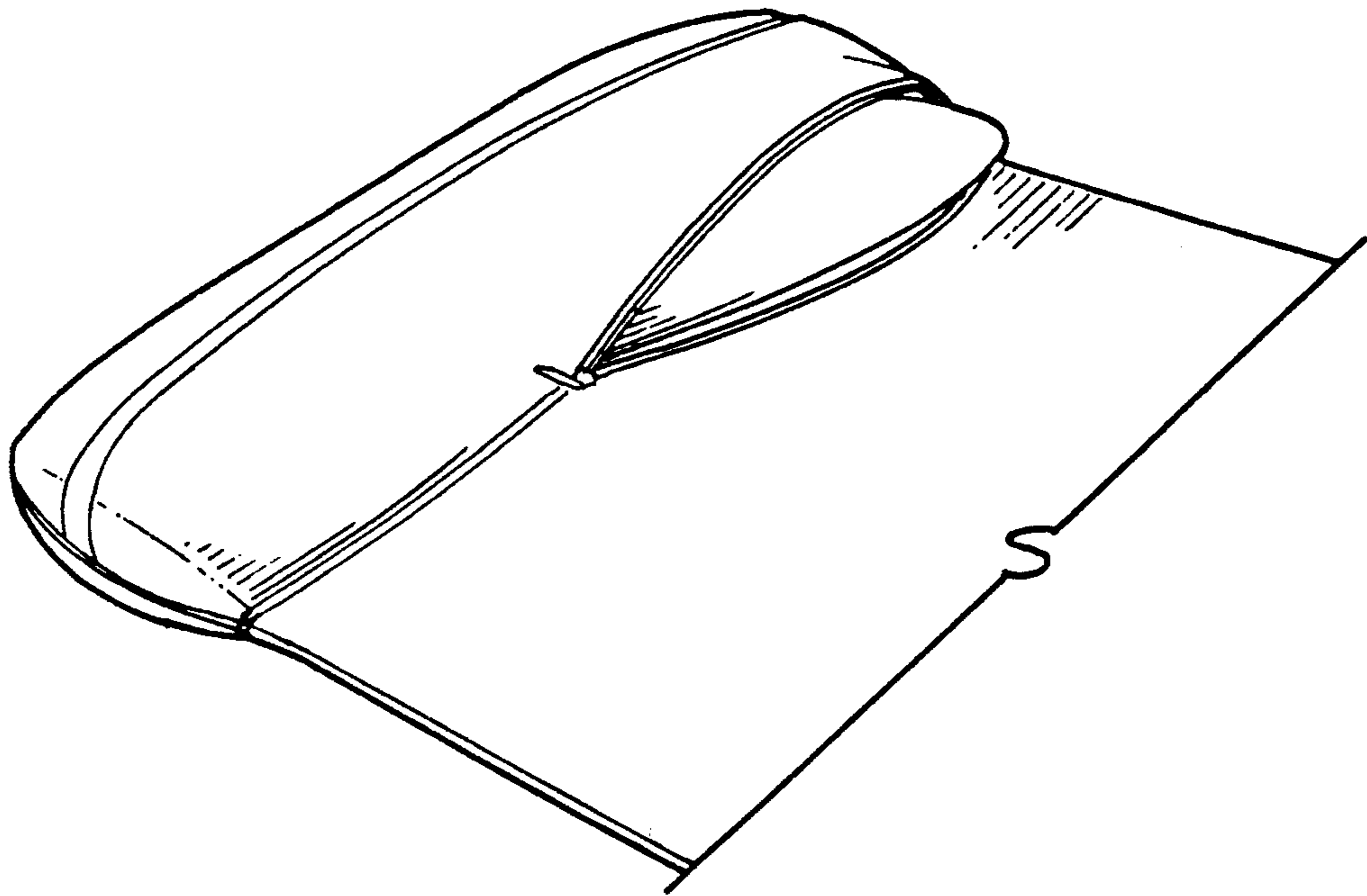


FIG. 5