



US00D341511S

# United States Patent [19] McKeone

[11] Patent Number: **Des. 341,511**

[45] Date of Patent: **\*\* Nov. 23, 1993**

[54] ESCUTCHEON

[75] Inventor: **William C. McKeone**, Sheboygan, Wis.

[73] Assignee: **Kohler Co.**, Kohler, Wis.

[\*\*] Term: **14 Years**

[21] Appl. No.: **824,488**

[22] Filed: **Jan. 22, 1992**

[52] U.S. Cl. .... **D6/550**

[58] Field of Search ..... **D6/546-550;**  
211/13, 86-88, 105.1, 123, 126, 182-183;  
248/200, 231.91, 251, 222.1, 224.3

[56] **References Cited**

**U.S. PATENT DOCUMENTS**

D. 293,184	12/1987	Chap .....	D6/546
D. 294,907	3/1988	Pool .....	D6/546
D. 299,099	12/1988	Gresens et al. ....	D6/546 X
D. 307,844	3/1990	Romeka .....	D6/523
D. 326,382	5/1992	Ko .....	D6/550
D. 334,315	3/1993	Bengston .....	D6/546 X
D. 337,230	7/1993	Wang .....	D6/550
1,097,496	5/1914	Woodhead .....	248/231.91
2,825,469	3/1958	Watkins et al. ....	211/123

**OTHER PUBLICATIONS**

Undated admitted prior art ad for Harden bathroom fixtures.

Page from 1977 Sweet's catalog showing bathroom accessory fittings.

Undated, admitted prior art, Kohler ad for bathroom fixtures.

Undated, admitted prior art, Colani ad for bathroom fixtures.

Undated, admitted prior art, Kohler ad for bathroom accessory fittings.

P. 75 of an undated, admitted prior art, ad for Nutone Hallmack safety grab bars.

*Primary Examiner*—Brian N. Vinson  
*Attorney, Agent, or Firm*—Quarles & Brady

[57] **CLAIM**

The ornamental design for an escutcheon, as shown and described.

**DESCRIPTION**

FIG. 1 is a perspective view taken from the top, front and right side of an escutcheon showing my new design; FIG. 2 is a front elevational view thereof;

FIG. 3 is a top plan view thereof and of the FIGS. 5 and 8 embodiments, the bottom views being the mirror image of the top view shown;

FIG. 4 is a right side elevational view thereof, the left side elevational view being the mirror image of the right side shown;

FIG. 5 is a perspective view taken from the top, front and right side of a second embodiment showing my new design;

FIG. 6 is a left side elevational view thereof;

FIG. 7 is a right side elevational view thereof; and,

FIG. 8 is a perspective view taken from the top, front and left side of a third embodiment showing my new design which is the same as the FIG. 5 embodiment except that only the left side has a side hole.

The fragmentary broken line representations of a portion of a towel ring in FIG. 1 and a portion of a towel bar in FIG. 5 are for the purpose of illustration only and form no part of the claimed design.

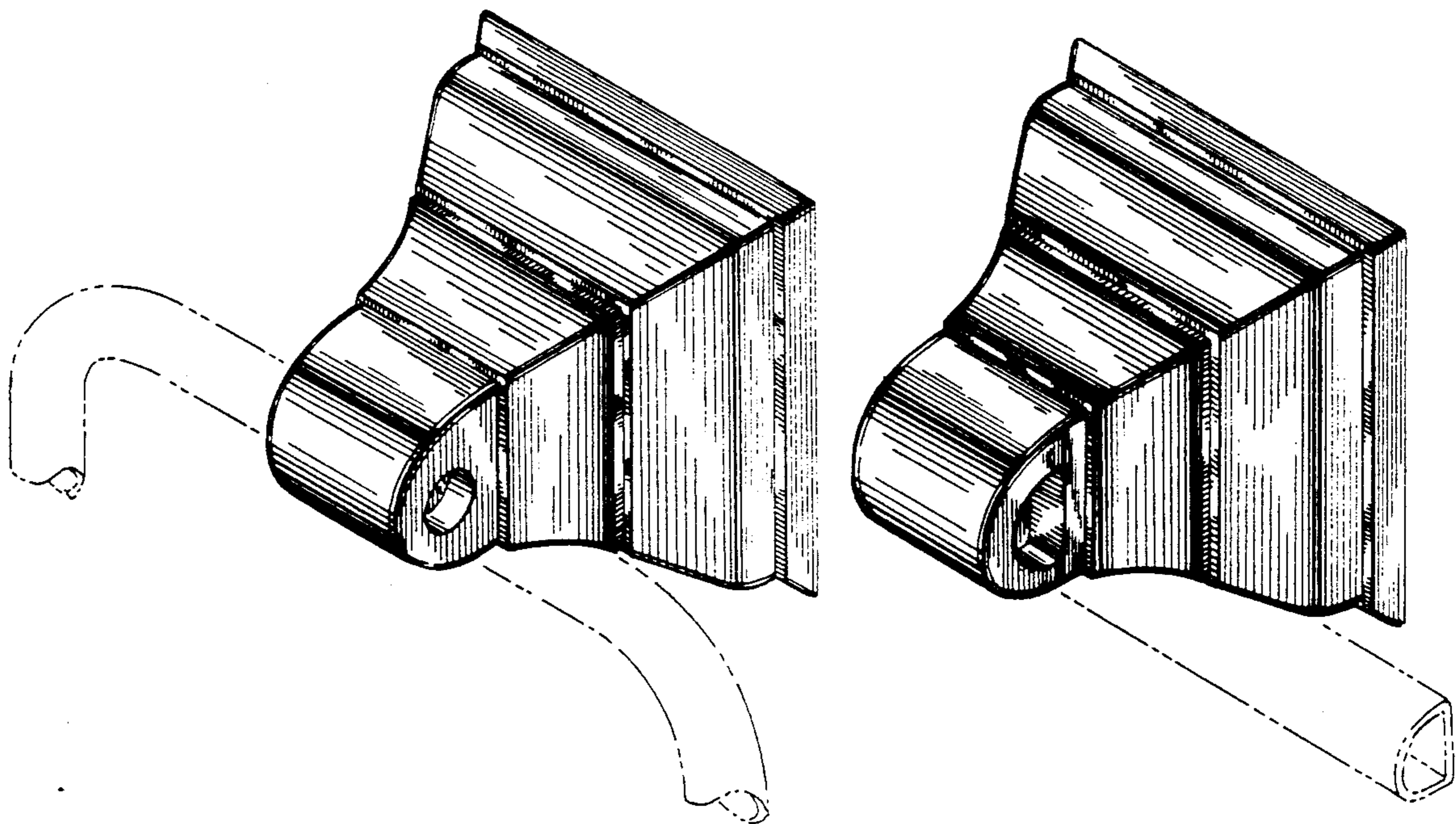




FIG. 1

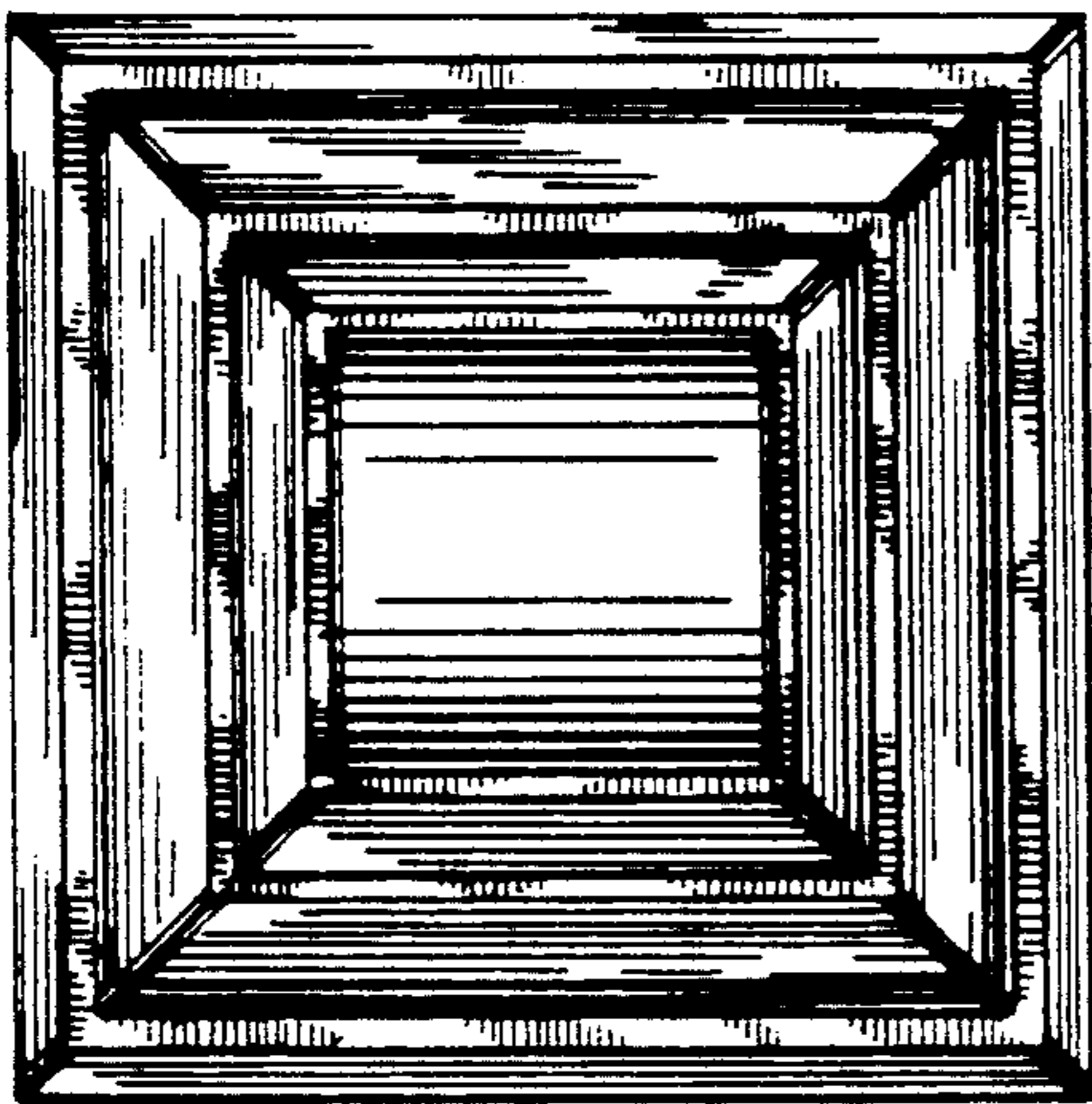
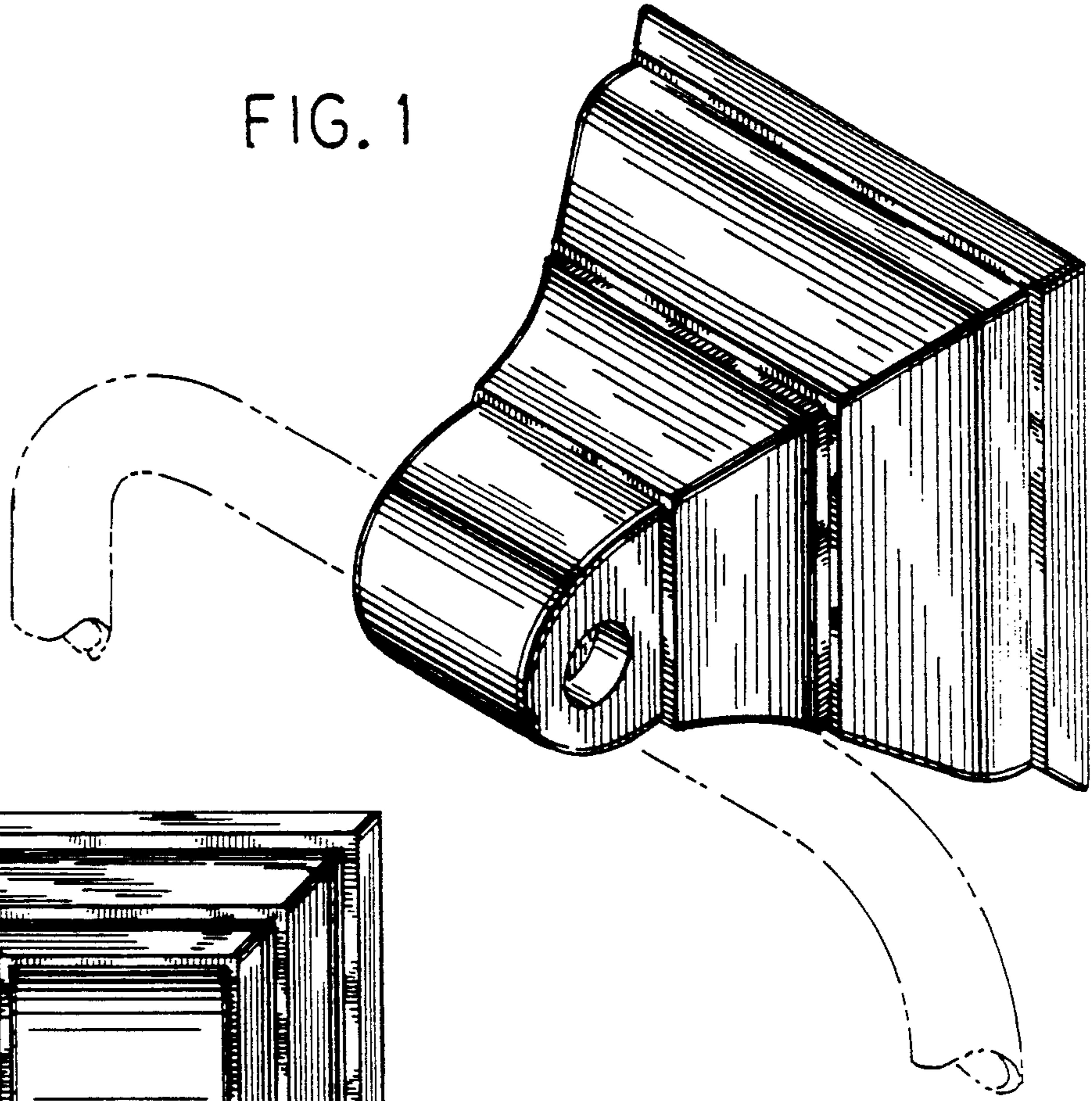


FIG. 2

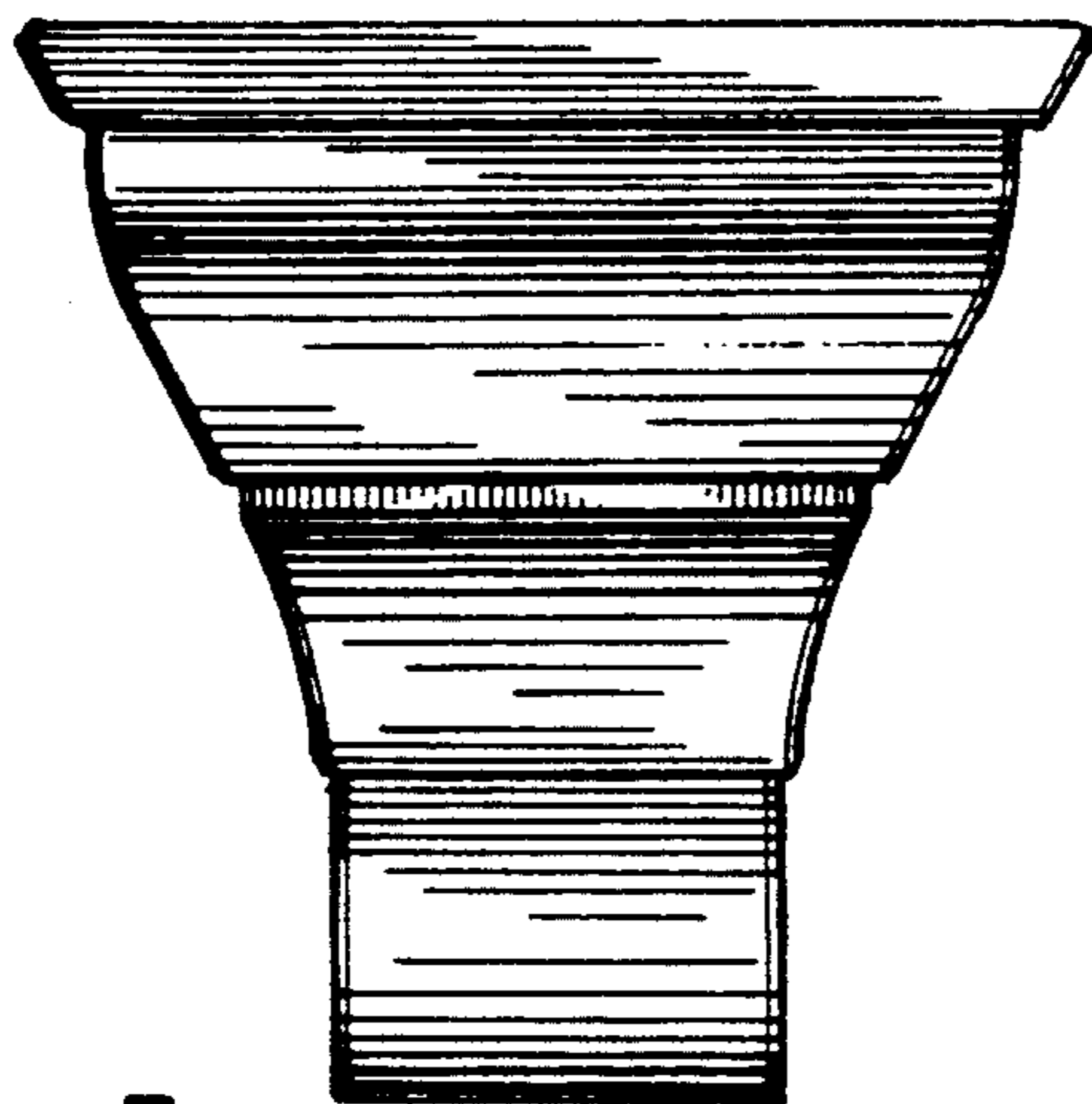


FIG. 3

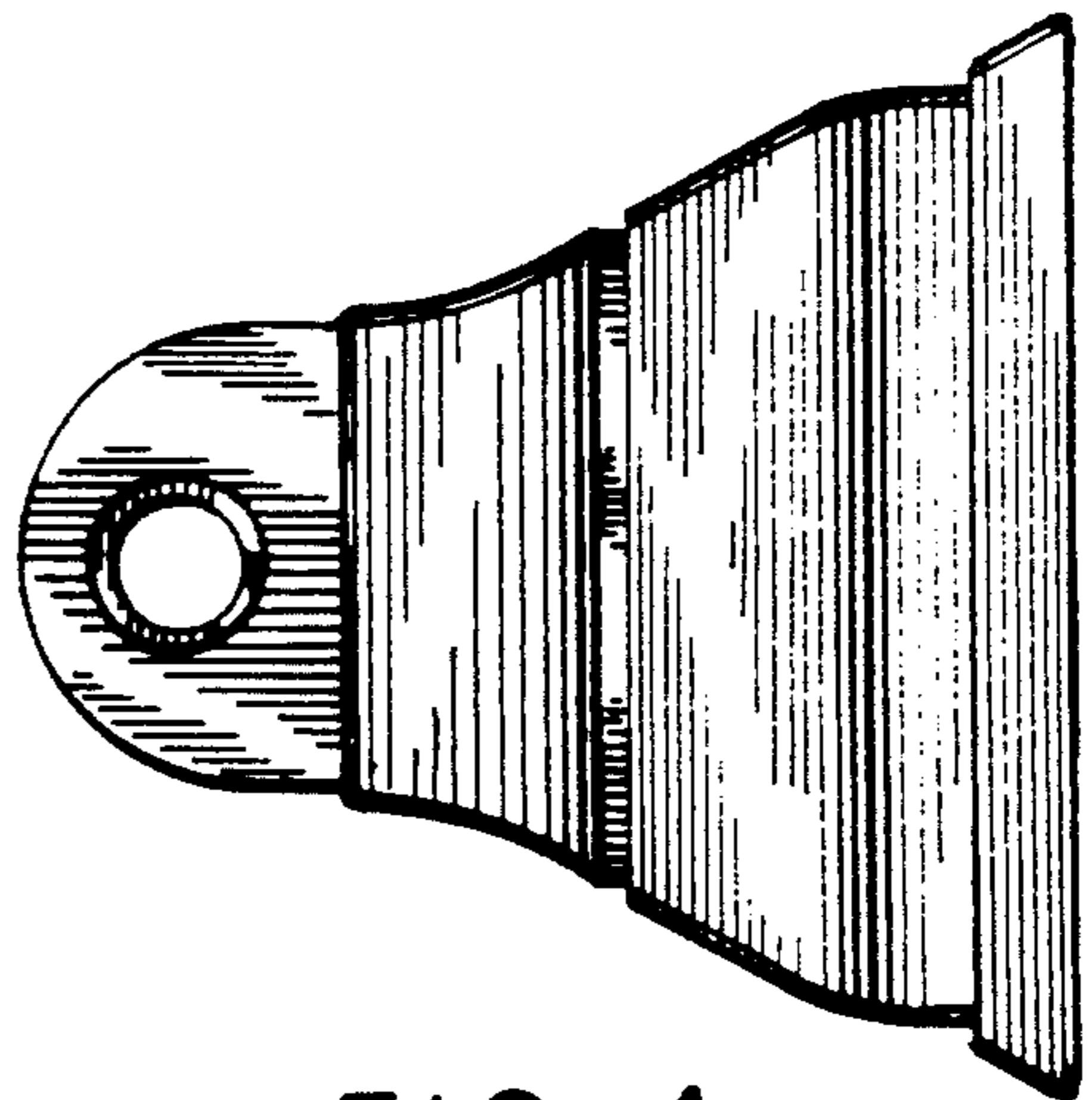


FIG. 4

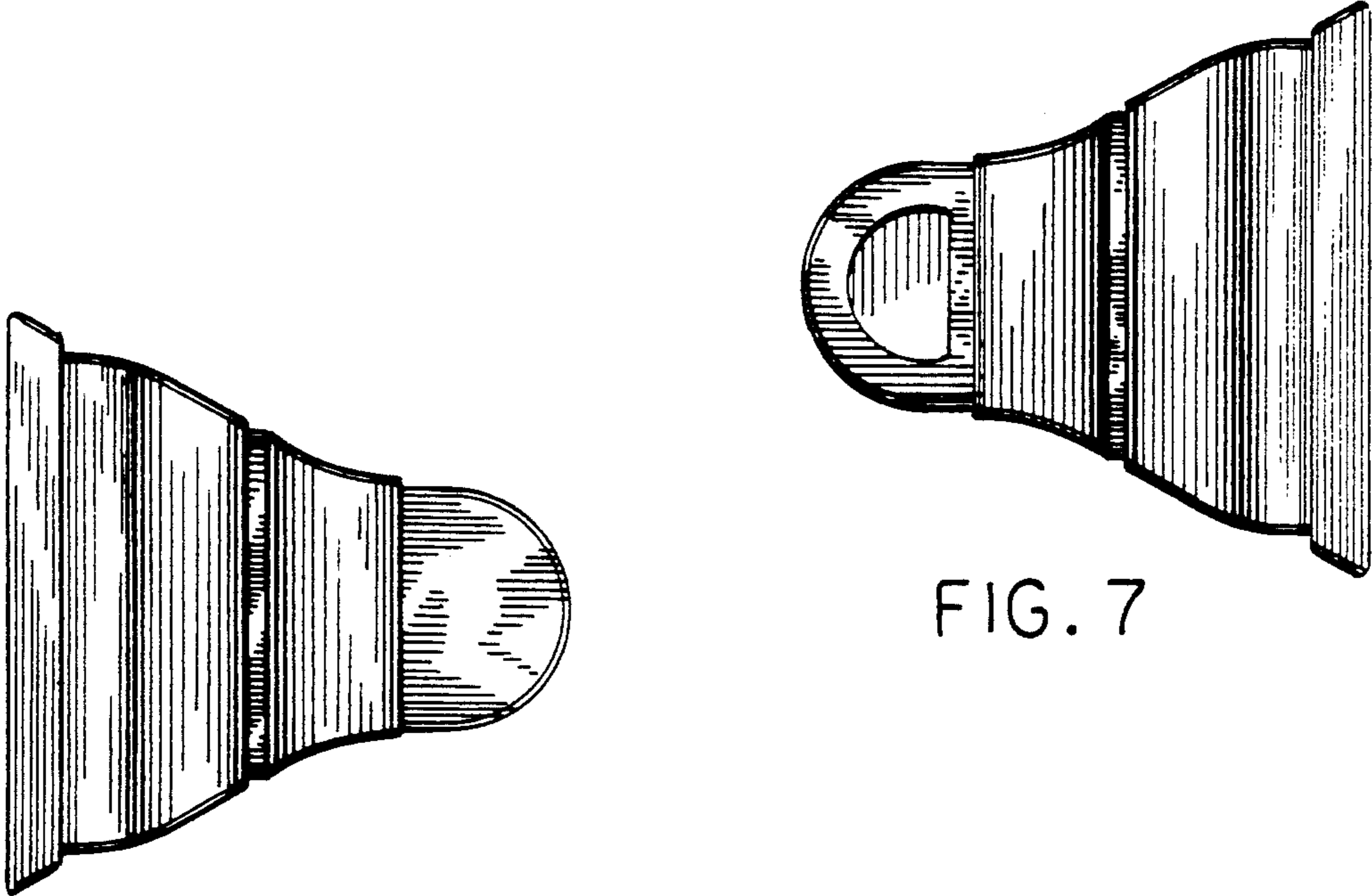
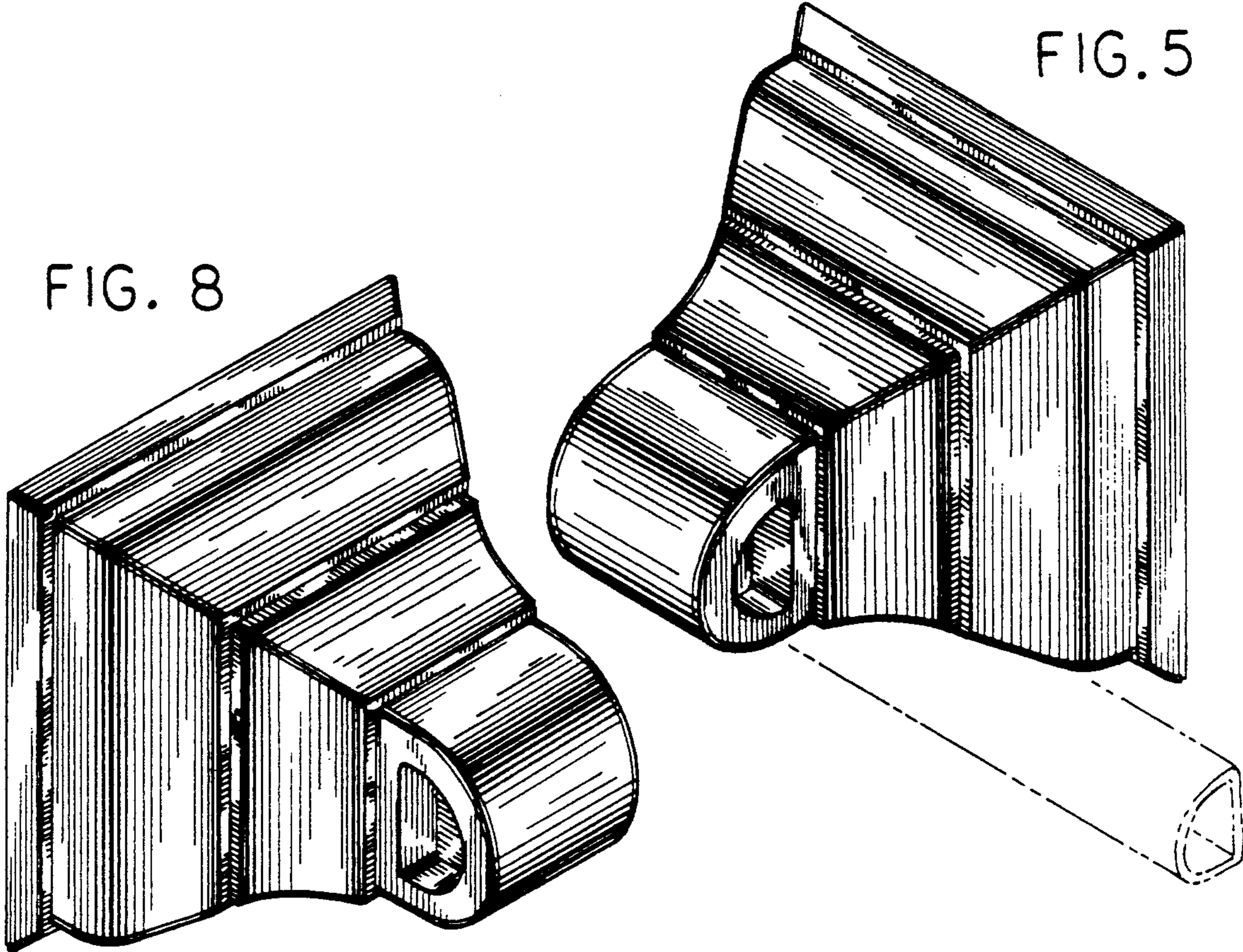


FIG. 6