



US00D341509S

United States Patent [19]

[11] Patent Number: **Des. 341,509**

Evans

[45] Date of Patent: **** Nov. 23, 1993**

[54] **BACK REST**

[76] Inventor: **Jack Evans**, 29500 Heathercliff Rd.
#177, Malibu, Calif. 90265

[**] Term: **14 Years**

[21] Appl. No.: **803,378**

[22] Filed: **Dec. 5, 1991**

[52] U.S. Cl. **D6/502; D6/601**

[58] Field of Search **D6/500-502,**
D6/491, 601, 598; 5/652, 653, 656, 657, 636,
420; 297/452, 219, 391, 396, 411

[56] **References Cited**

U.S. PATENT DOCUMENTS

D. 307,752	5/1990	McIntyre et al.	D6/601
D. 316,451	4/1991	Carnathan et al.	D6/601 X
D. 330,989	11/1992	Evans	D6/601
2,013,481	9/1935	Stonehill	297/411 X
2,765,480	10/1956	Mueller	5/653 X
2,952,856	9/1960	Ruff	297/391 X
4,761,011	8/1988	Sereboff	297/396 X
4,843,662	7/1989	Handelman	5/420 X
5,015,036	5/1991	Fergie	297/391 X

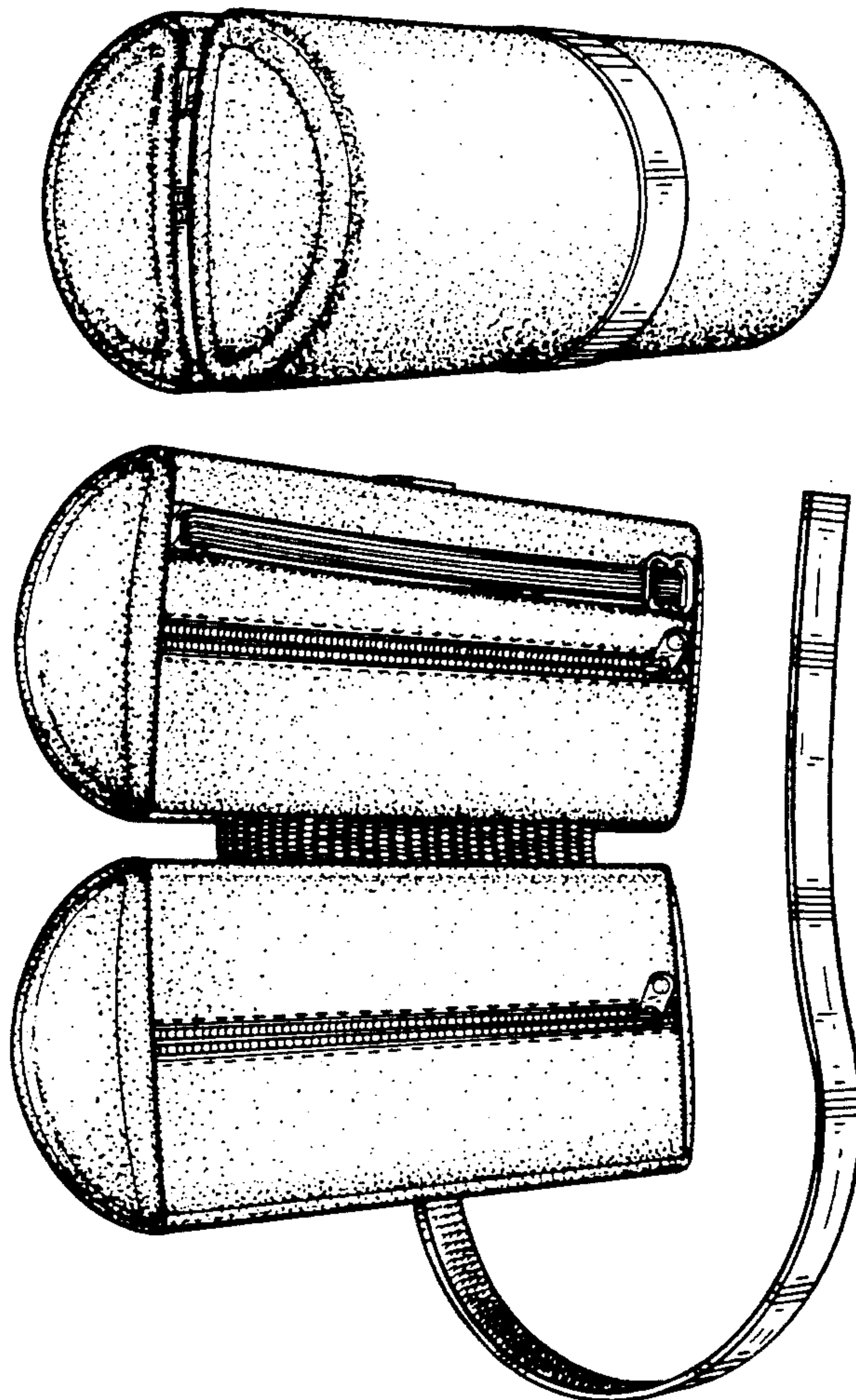
Primary Examiner—Nelson C. Holjte
Assistant Examiner—J. E. Seeger
Attorney, Agent, or Firm—Koda and Androllia

[57] **CLAIM**

The ornamental design for a back rest, as shown and described.

DESCRIPTION

FIG. 1 is a closed perspective view which is taken from the front and left side of the back rest showing my new design;
FIG. 2 is a front elevational view thereof;
FIG. 3 is a left side elevational view thereof, the right side view being mirror image thereof;
FIG. 4 is a top plan view thereof;
FIG. 5 is a bottom plan view thereof;
FIG. 6 is a perspective view of the opened back rest which is taken from the front and left side;
FIG. 7 is a right side elevational view thereof, the left side view being mirror image thereof;
FIG. 8 is a front elevational view thereof;
FIG. 9 is a rear elevational view thereof;
FIG. 10 is a top plan view thereof; and,
FIG. 11 is a bottom plan view thereof.



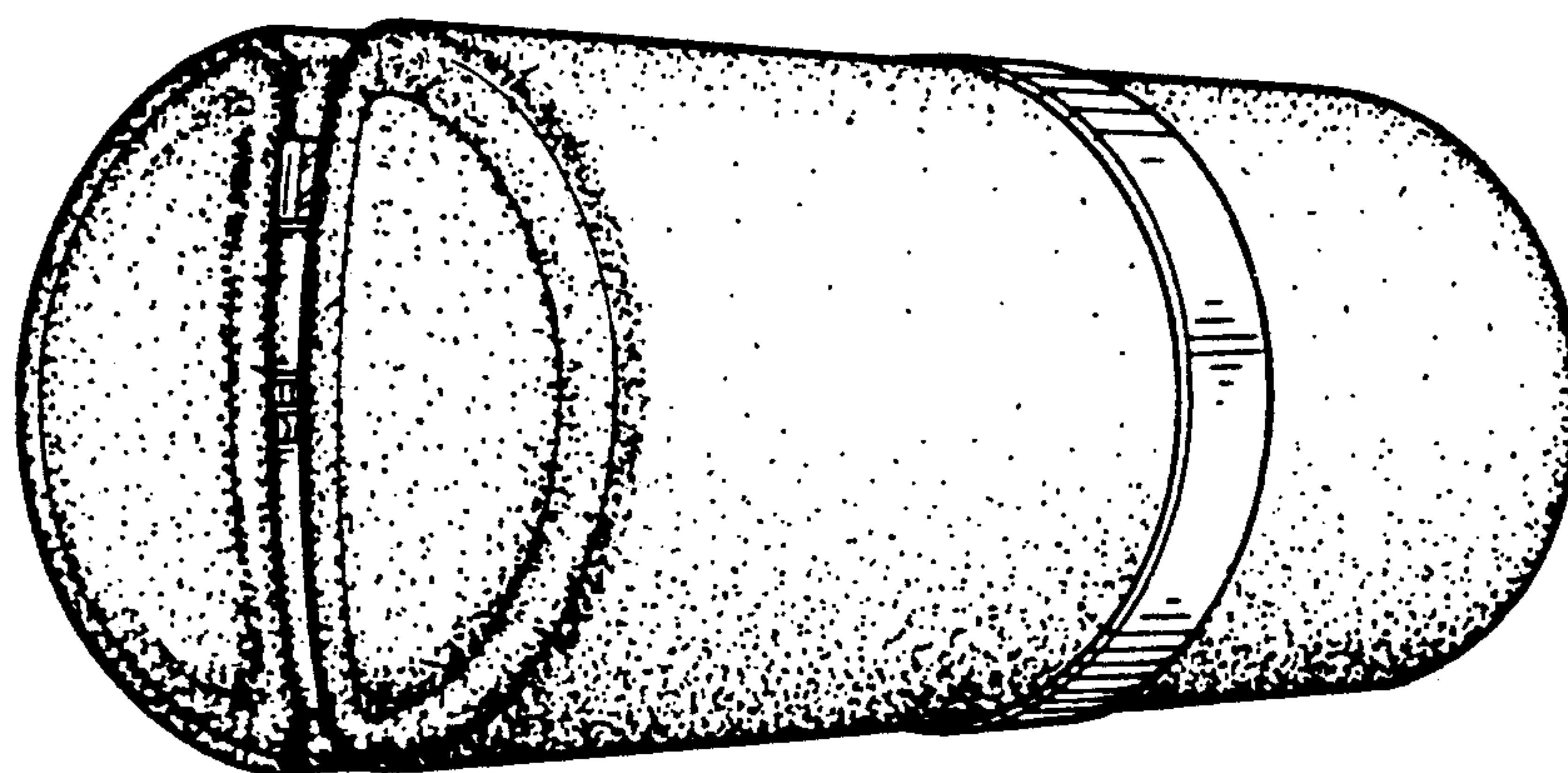


FIG. 1

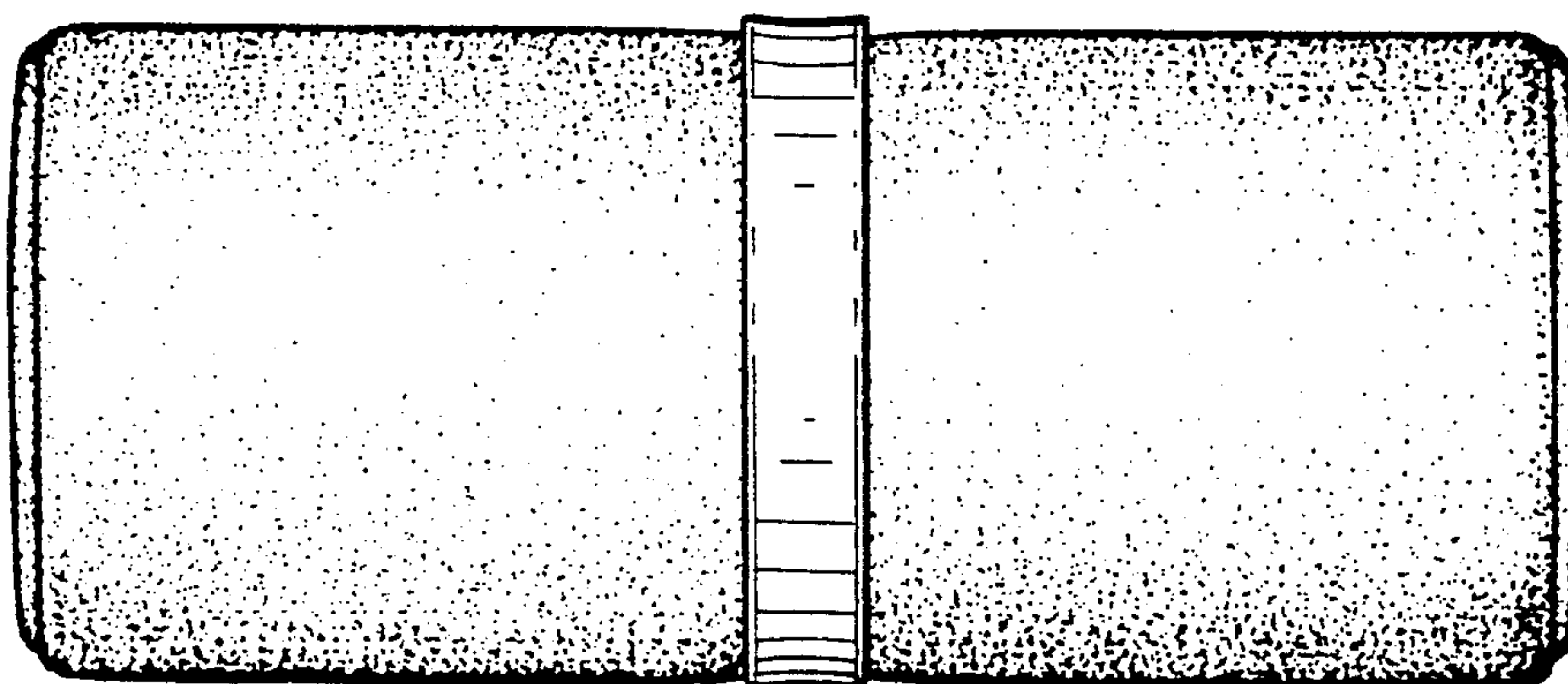


FIG. 2

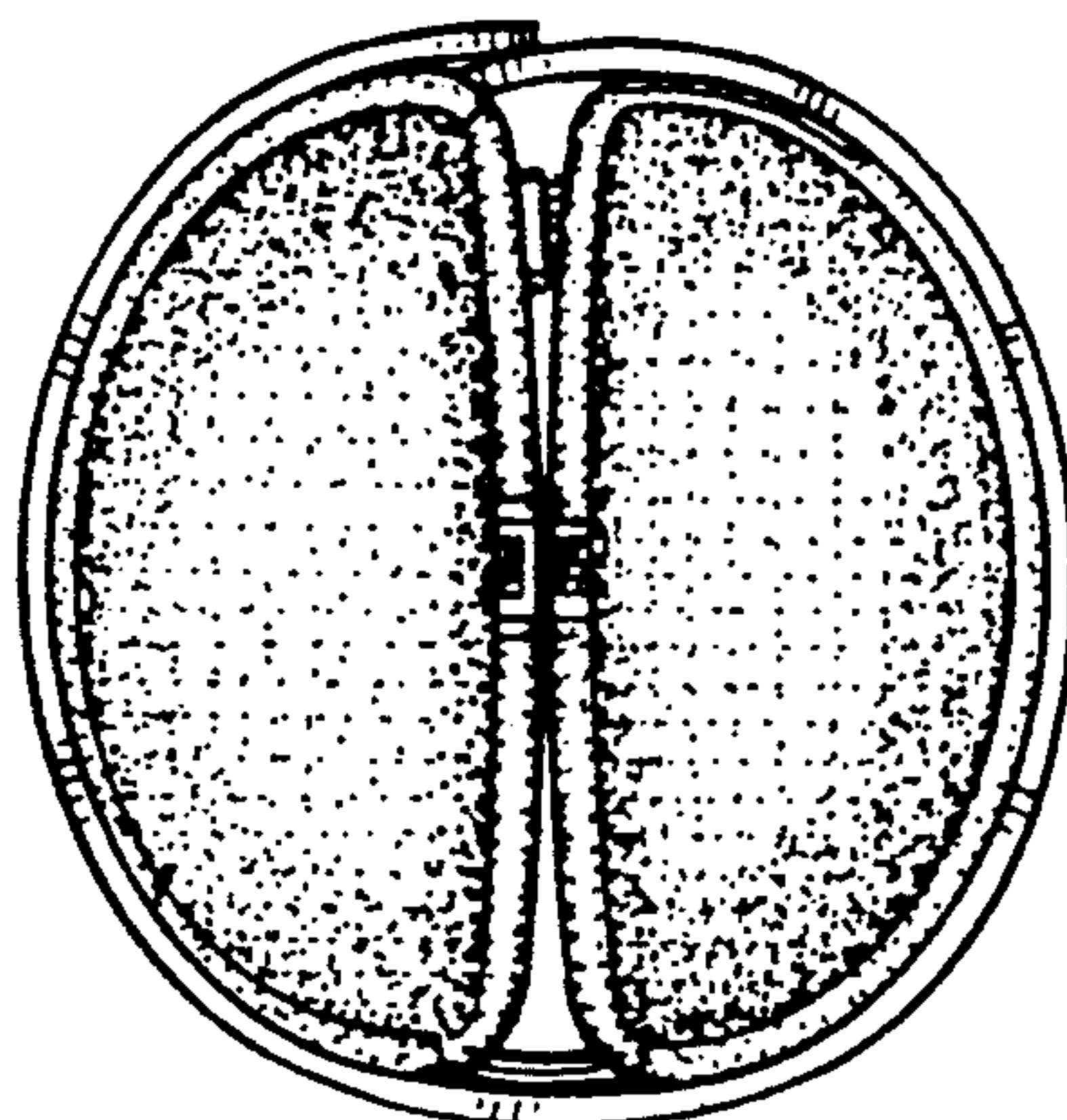


FIG. 3

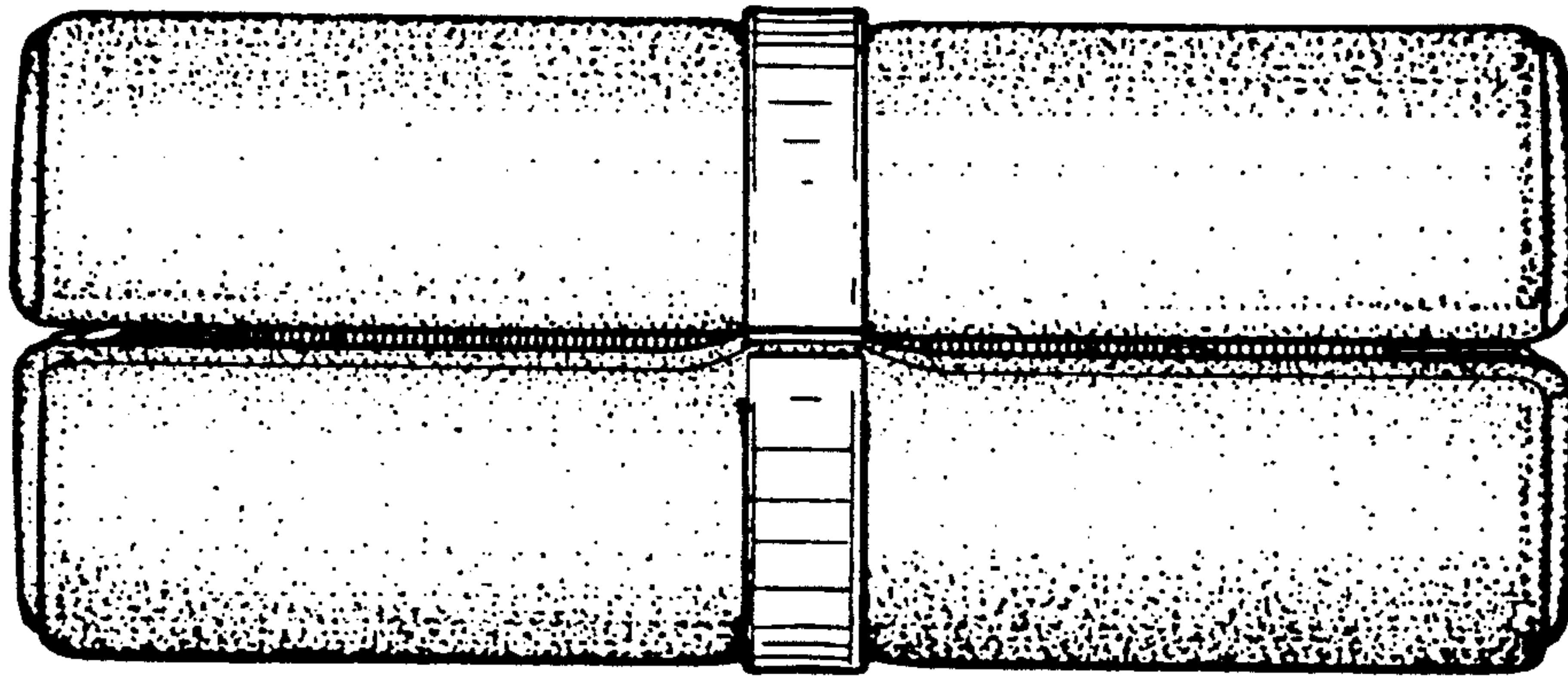


FIG. 4

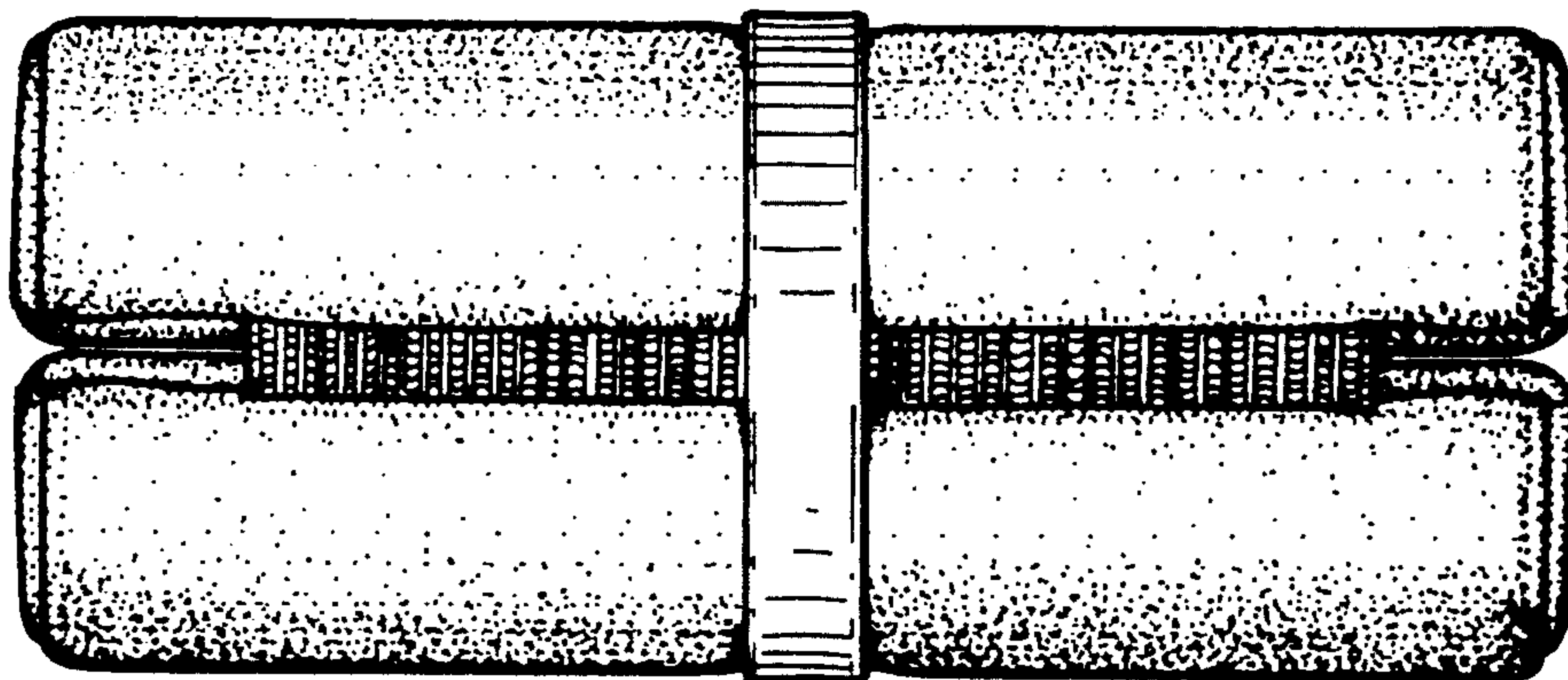


FIG. 5

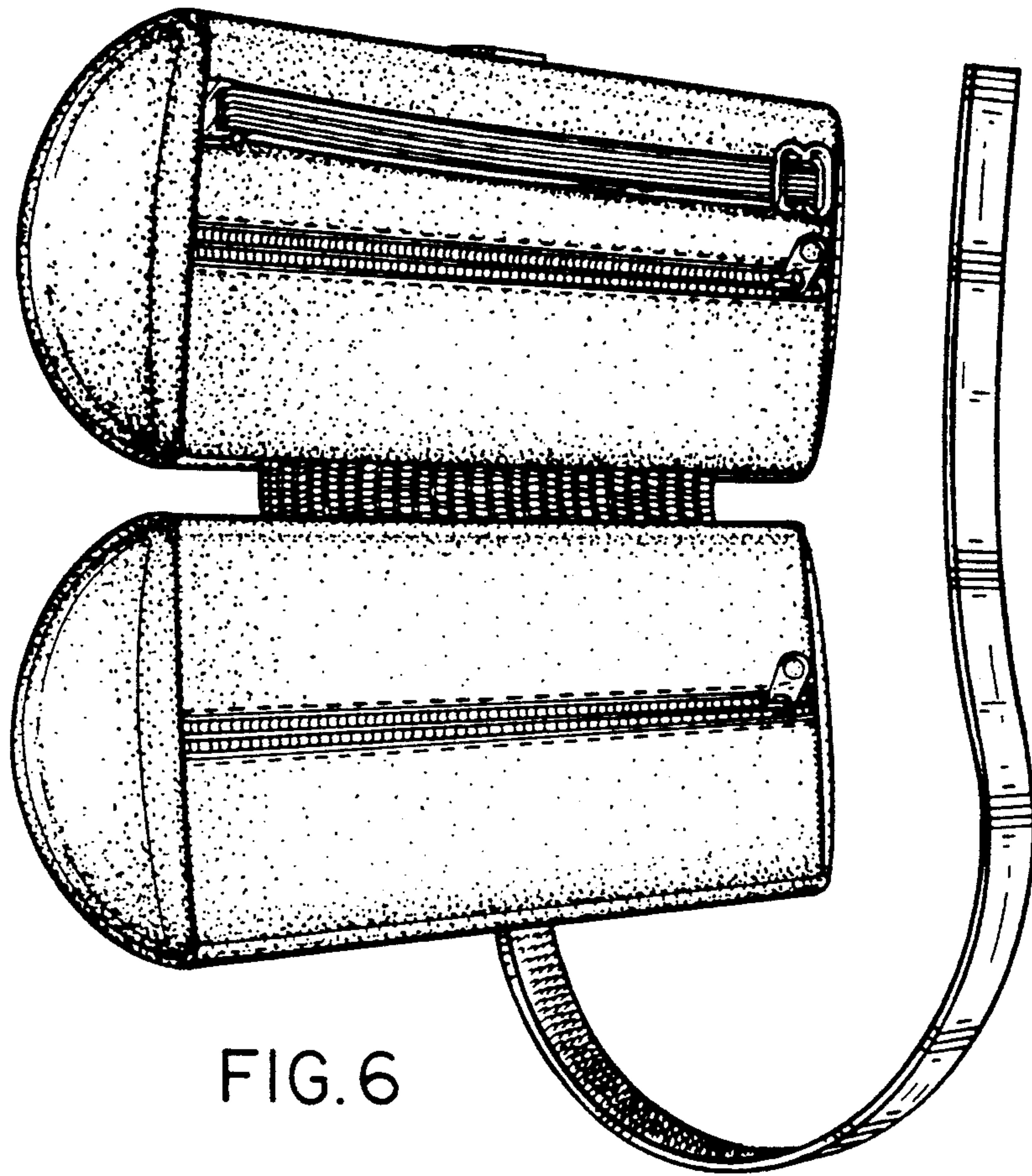


FIG. 6

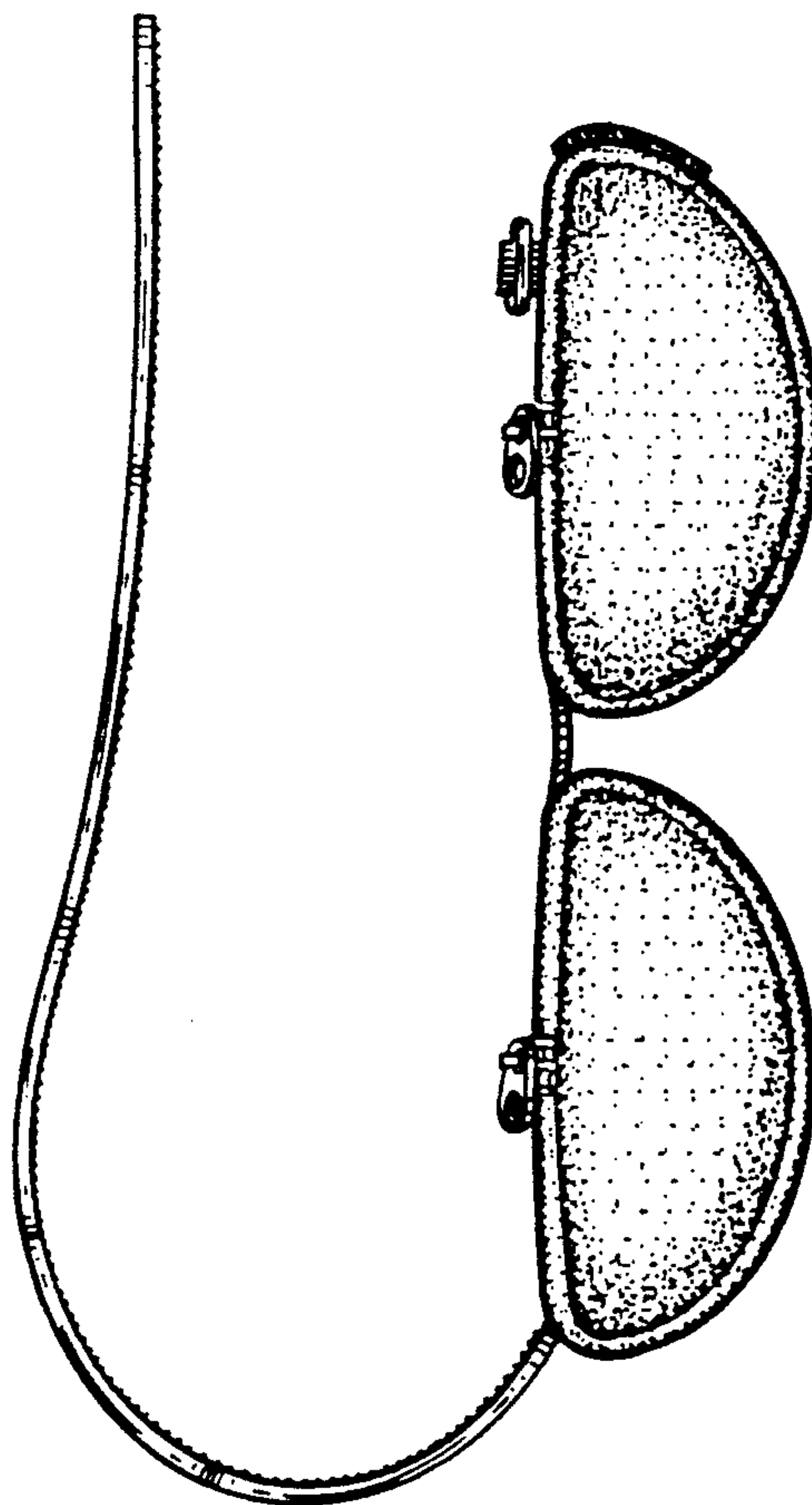


FIG. 7

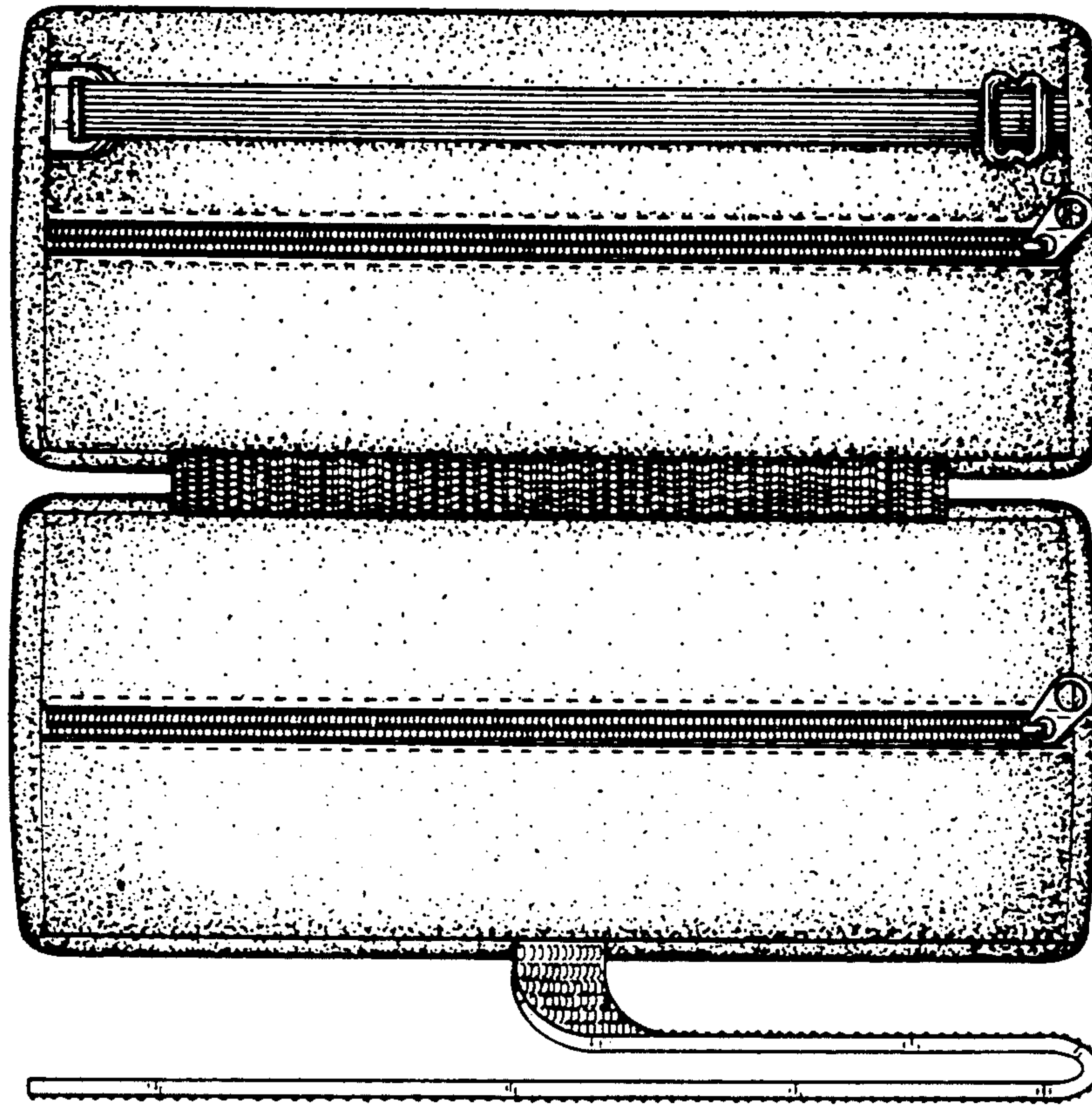


FIG. 8

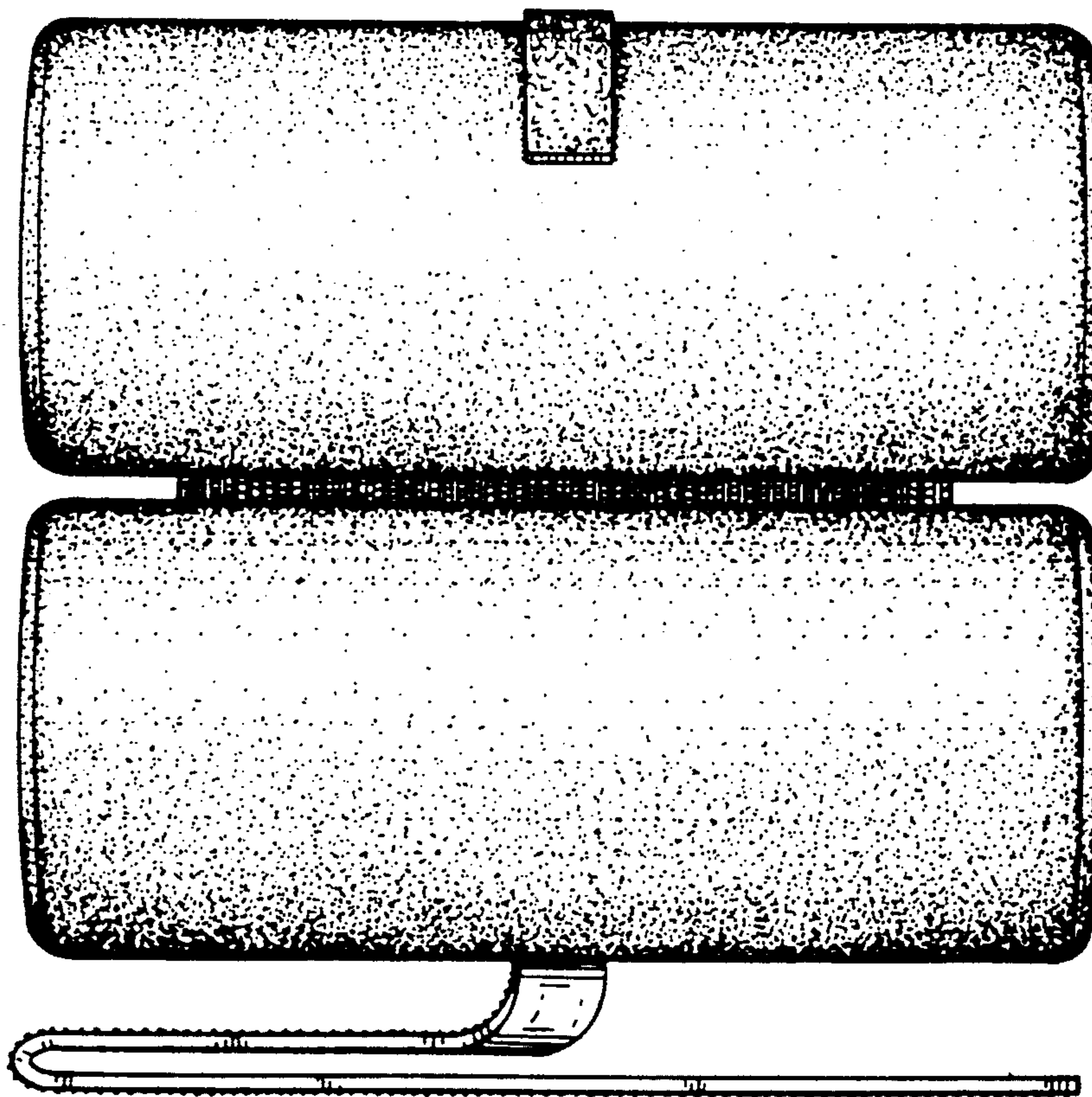


FIG. 9

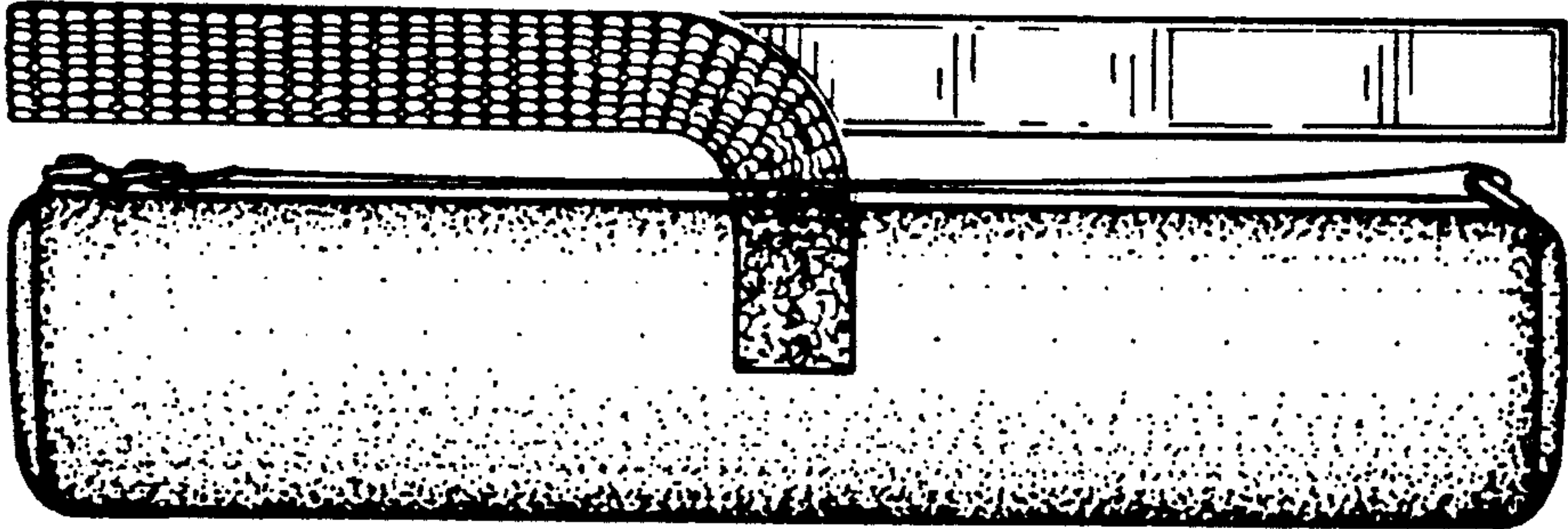


FIG. 10

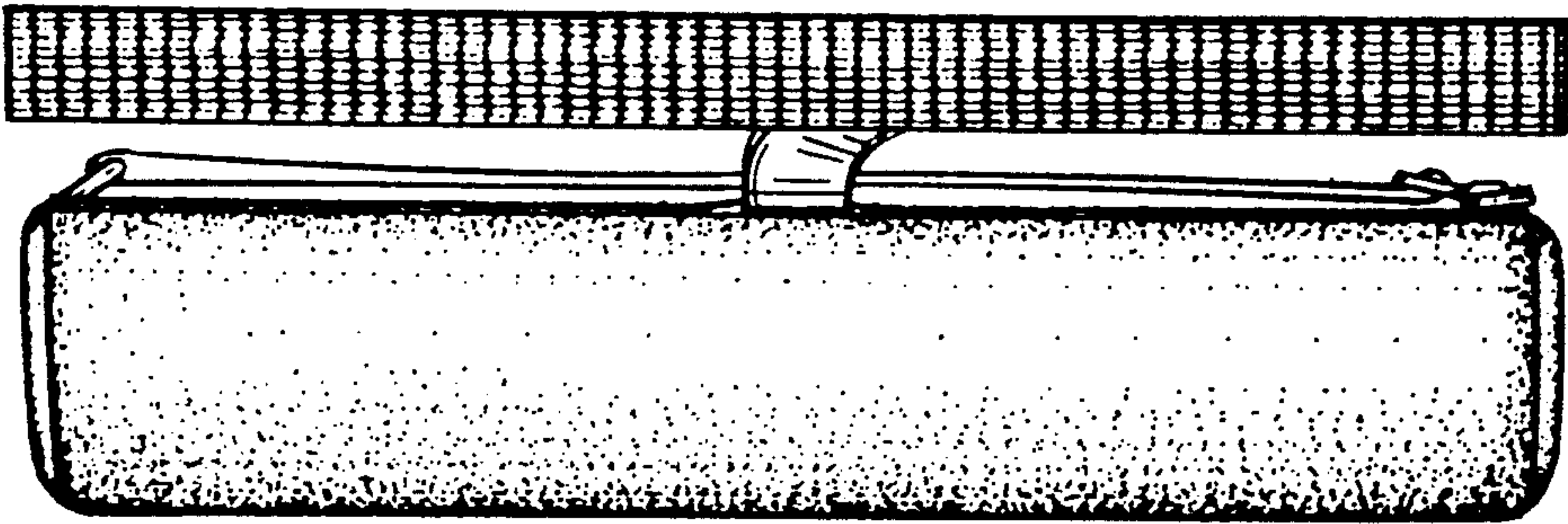


FIG. 11