



US00D341508S

United States Patent [19]

[11] Patent Number: **Des. 341,508**

Cooper et al.

[45] Date of Patent: **** Nov. 23, 1993**

[54] COVER FOR A FRONT PORTION OF A FOOD DISPLAY CASE

[75] Inventors: **Darrell L. Cooper; Dan L. Cooper; Darrell L. Cooper; David Cooper**, all of Fort Worth, Tex.

[73] Assignee: **The Marco Company**, Fort Worth, Tex.

[**] Term: **14 Years**

[21] Appl. No.: **726,552**

[22] Filed: **Jul. 8, 1991**

Related U.S. Application Data

[63] Continuation-in-part of Ser. No. 681,907, Apr. 5, 1991.

[52] U.S. Cl. **D6/492; D25/119**

[58] Field of Search **D6/491, 492, 494, 509-511, D6/481; 312/116, 265.1; D25/119**

[56] References Cited

U.S. PATENT DOCUMENTS

D. 172,716	7/1954	Jones	D25/119	X
D. 187,517	3/1960	Linscott	D6/509	X
D. 192,113	1/1962	Anderson	D6/511	X
D. 203,336	12/1965	Orr	D25/119	X
D. 256,620	8/1980	Madsen	D25/119	
D. 288,881	3/1987	Cowdroy	D6/491	
2,657,545	11/1953	Knight	312/116	X

OTHER PUBLICATIONS

Dahlstrom Cat. No. 11, p. 74, No. 1151 at top right.

Primary Examiner—Nelson C. Holtje

Assistant Examiner—J. E. Seeger

Attorney, Agent, or Firm—Geoffrey A. Mantooth

[57] CLAIM

The ornamental design for a cover for a front portion of a food display case, as shown and described.

DESCRIPTION

FIG. 1 is a front elevational view of a cover for a front portion of a food display case, showing our new design; FIG. 2 is a right end perspective view, showing an alternate embodiment of our new design;

FIG. 3 is a left end perspective view of the embodiment of FIG. 1;

FIG. 4 is a left end elevational view thereof;

FIG. 5 is a right end elevational view thereof;

FIG. 6 is a bottom plan view of both embodiments;

FIG. 7 is a top plan view of both embodiments;

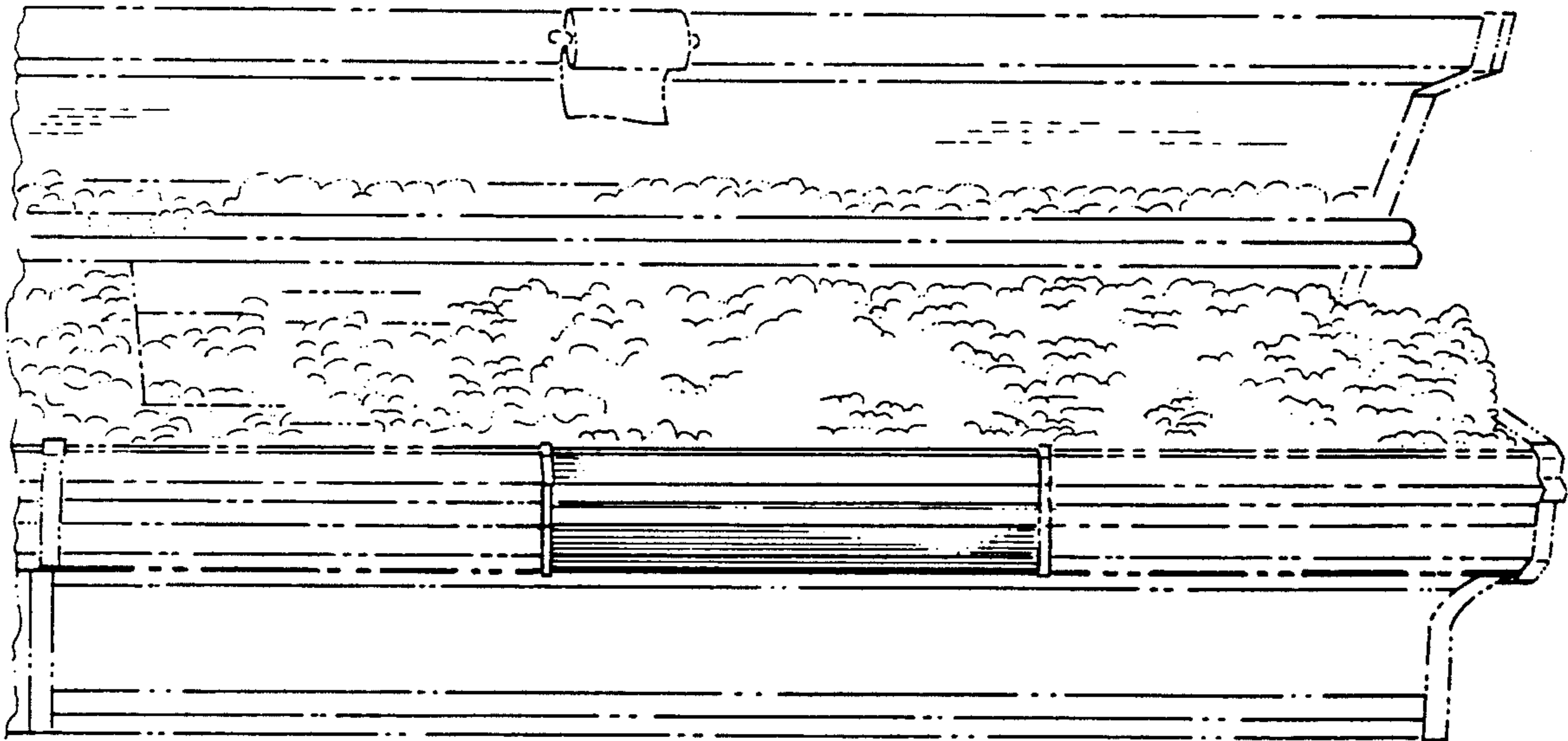
FIG. 8 is a front elevational view of the embodiment of FIG. 2;

FIG. 9 is a rear elevational view of both embodiments; and,

FIG. 10 is a rear perspective view of both embodiments.

FIGS. 2 and 8 are shaded to show color contrast.

The broken lines in FIGS. 1 and 5 are for environmental purposes only and form no part of the claimed design.



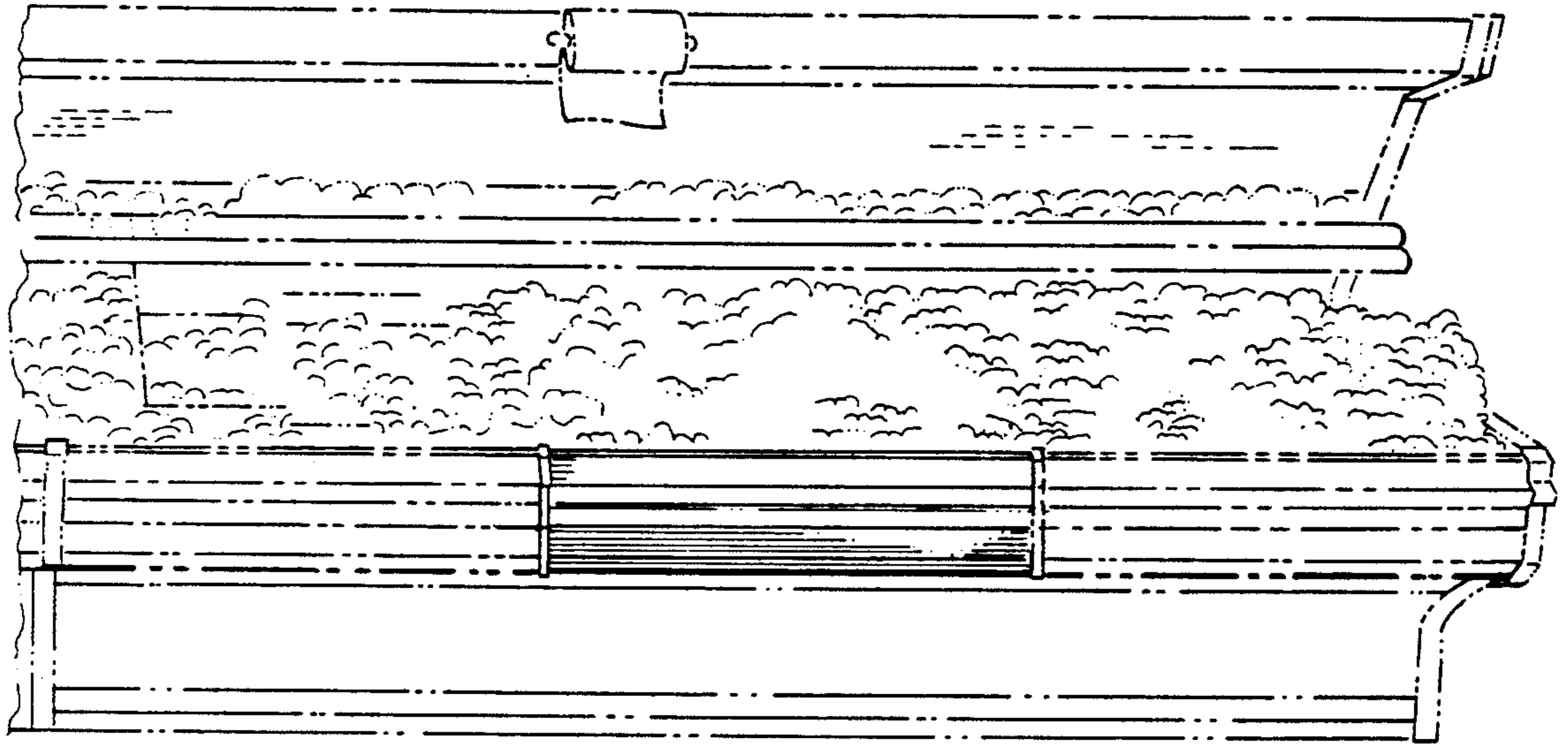


FIG. 1

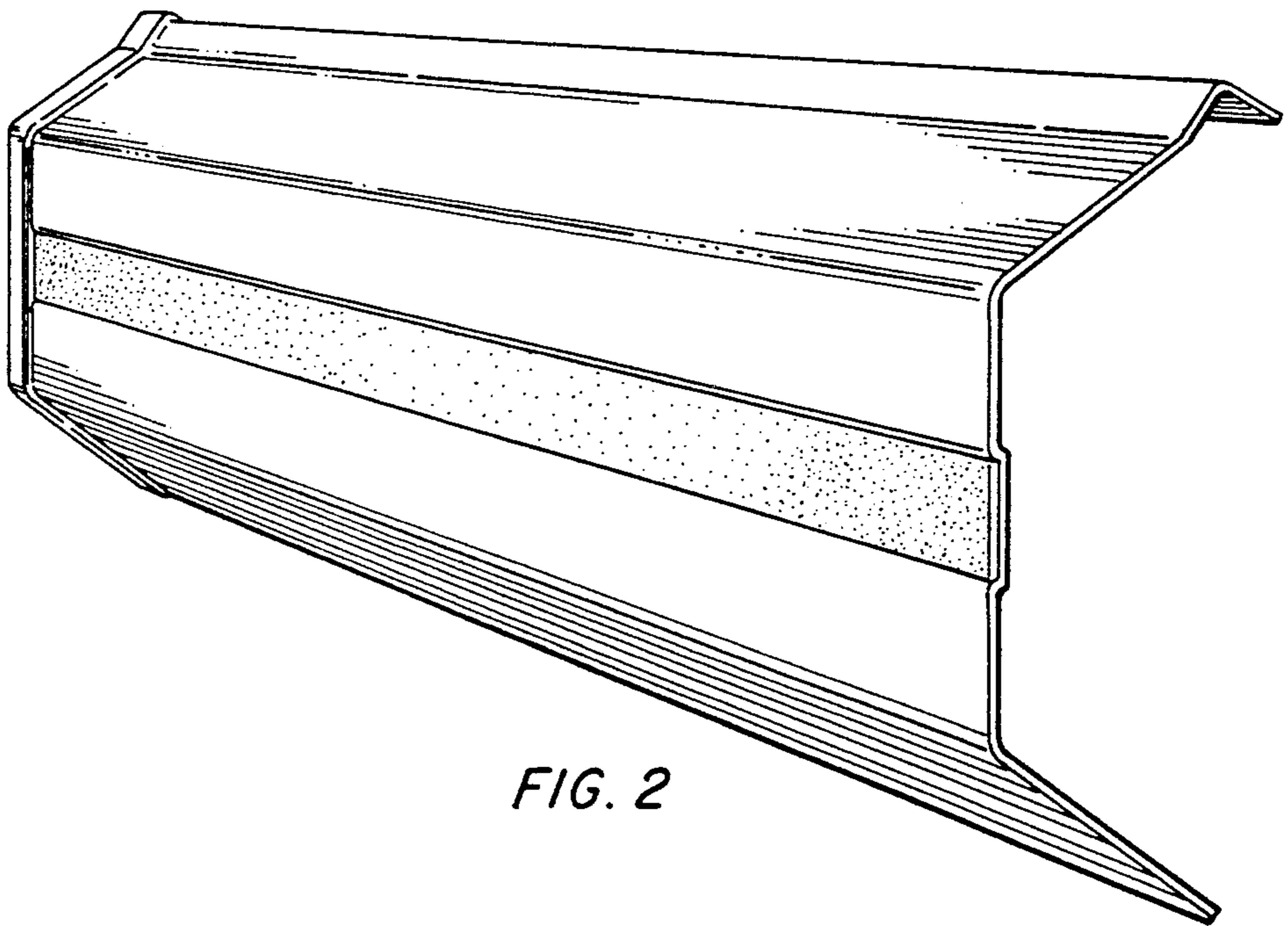


FIG. 2

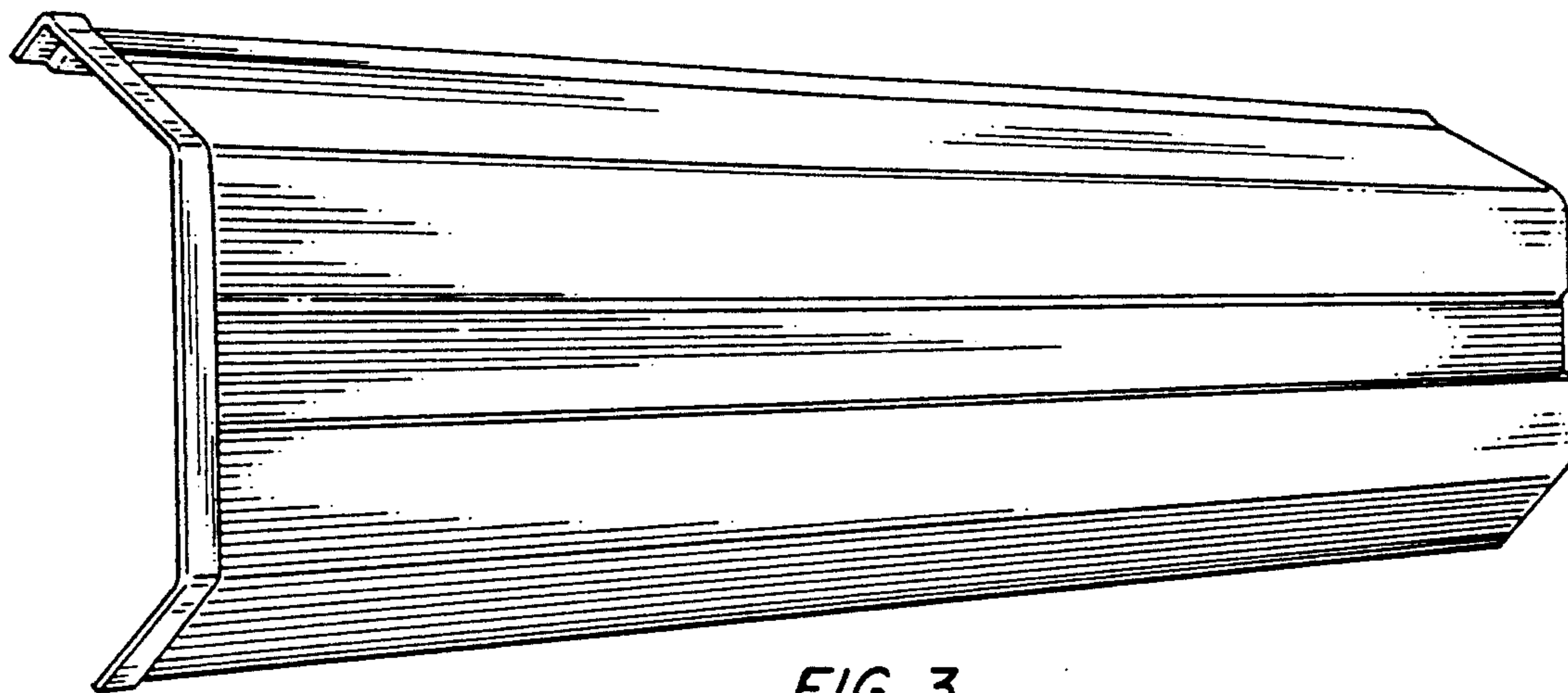


FIG. 3

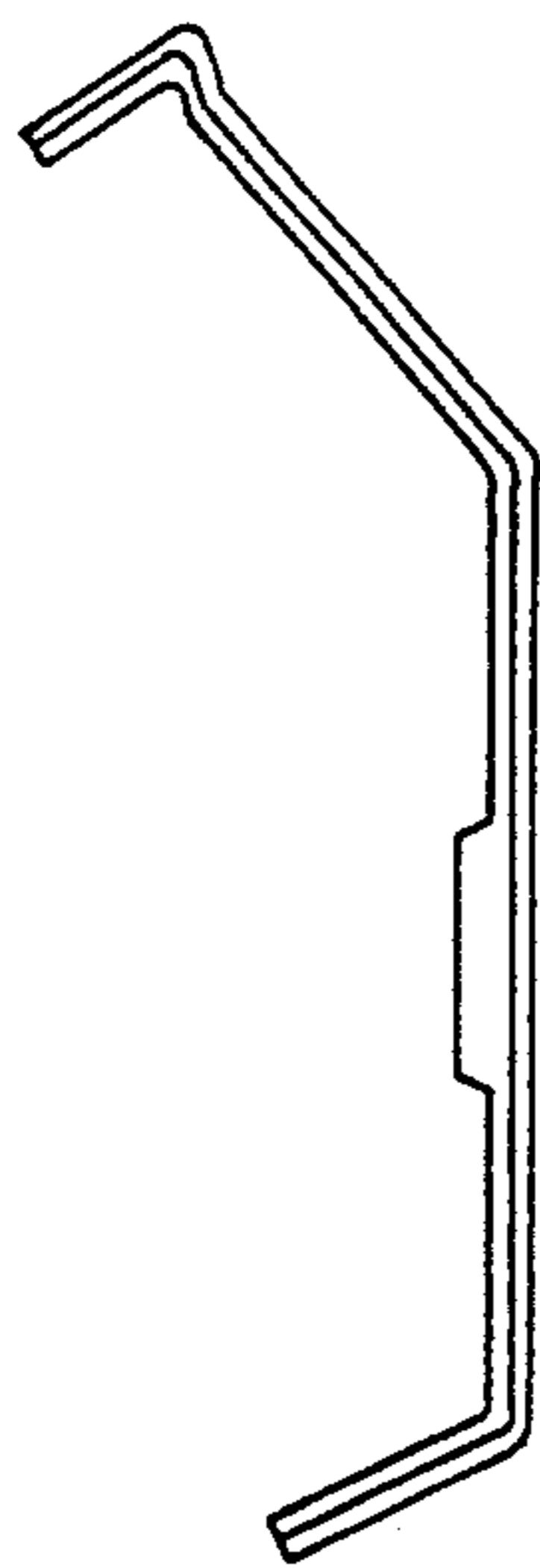


FIG. 4

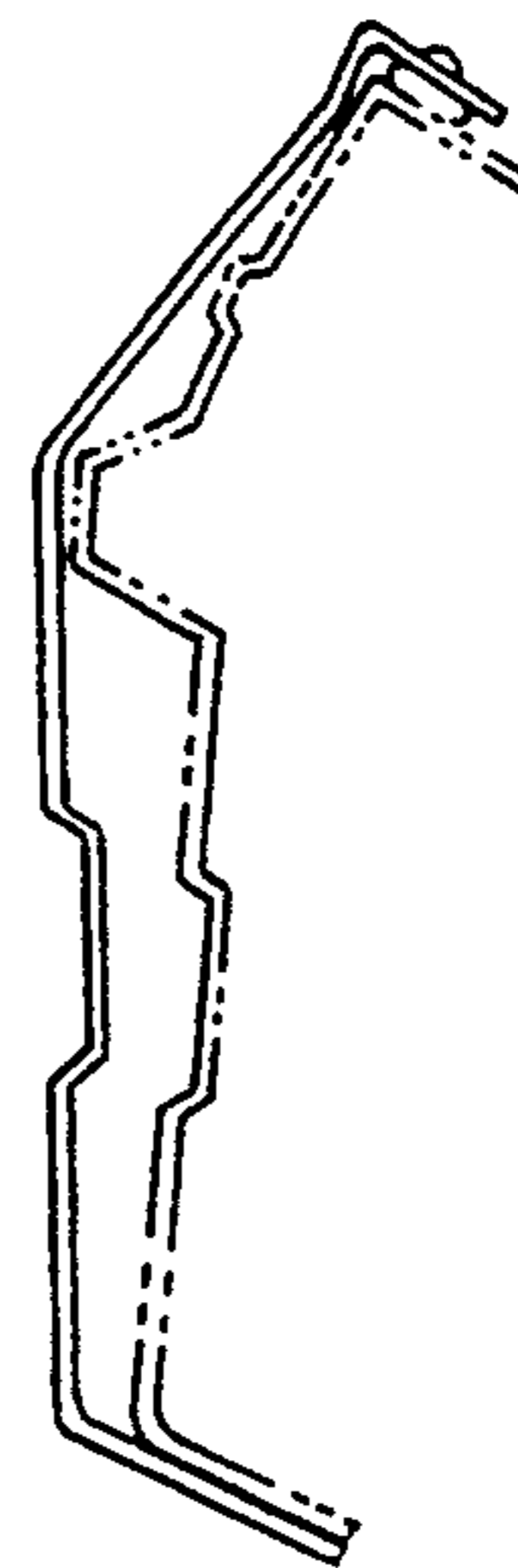


FIG. 5

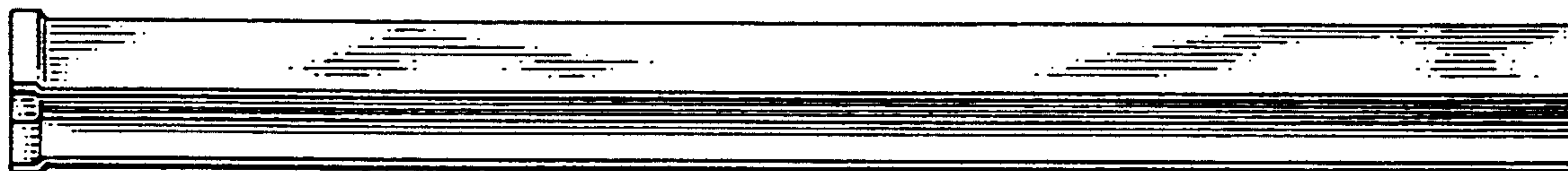


FIG. 6

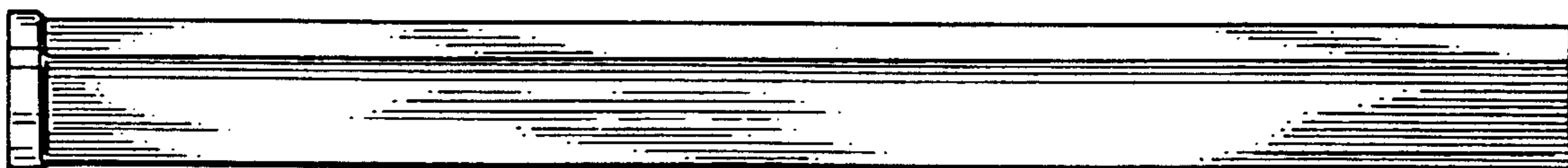


FIG. 7

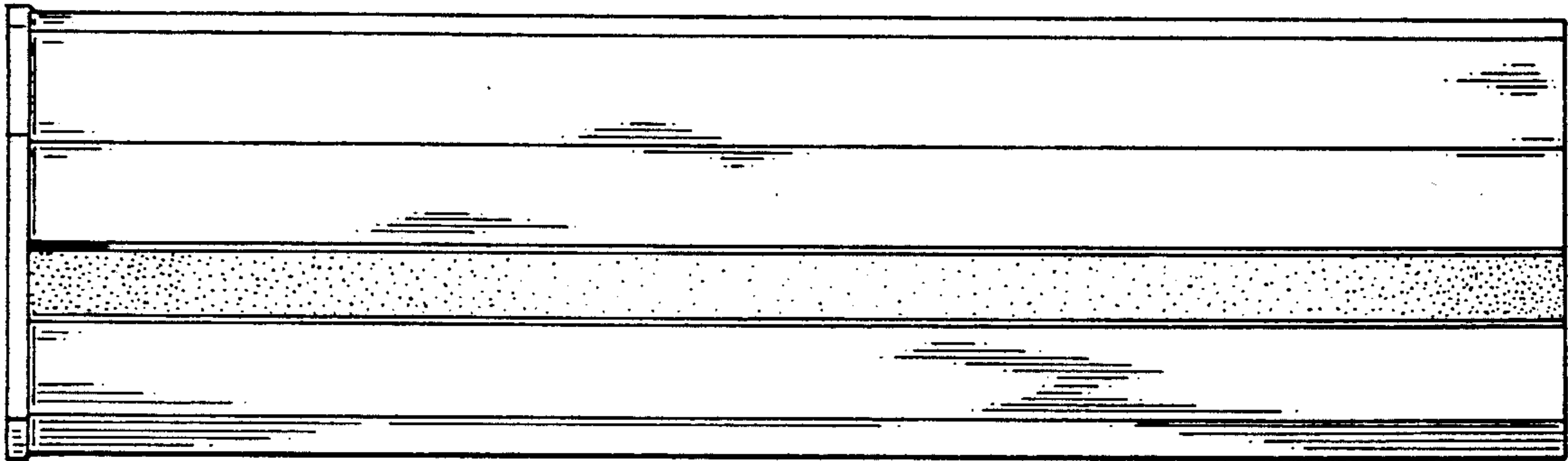


FIG. 8

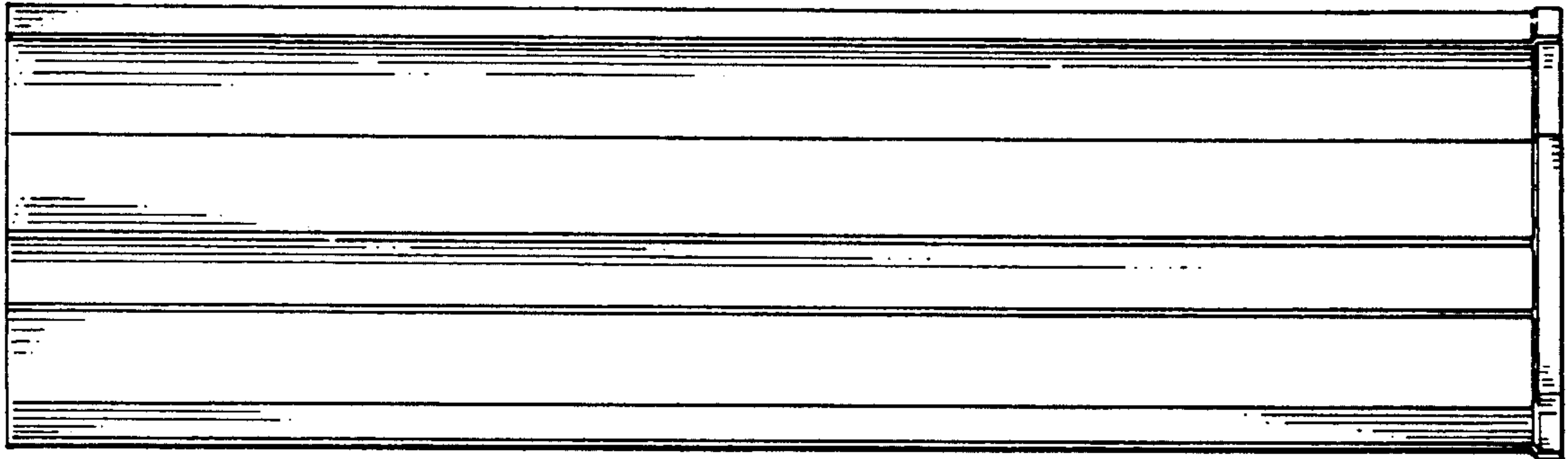


FIG. 9

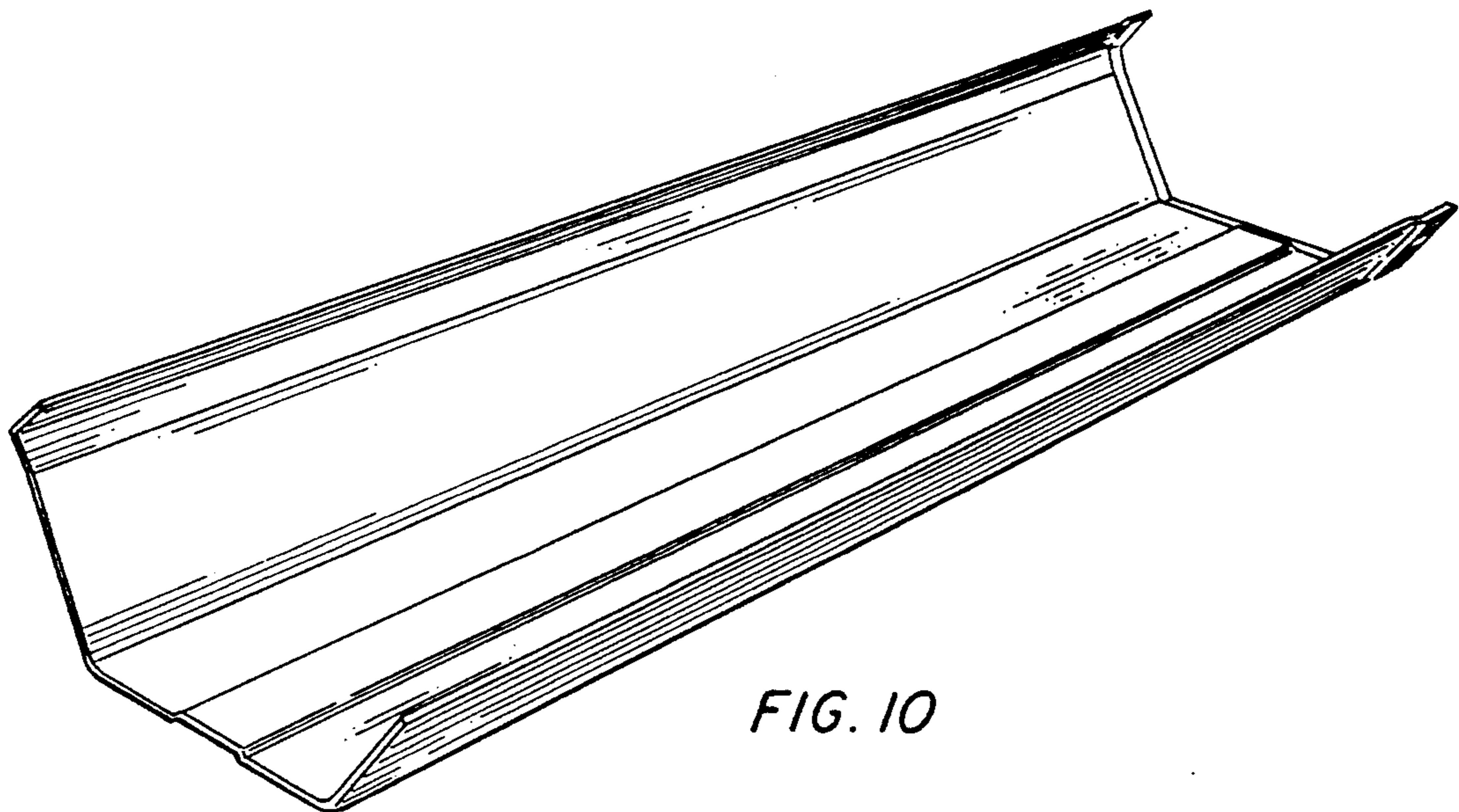


FIG. 10