



US00D341505S

United States Patent [19]

[11] Patent Number: **Des. 341,505**

Nourse

[45] Date of Patent: **** Nov. 23, 1993**

[54] **ORNAMENTAL DESIGN FOR A COFFEE TABLE**

[75] Inventor: **Aagje M. T. Nourse**, Forth Worth, Tex.

[73] Assignee: **BBA Holdings, Inc.**, Wilmington, Del.

[*] Notice: The portion of the term of this patent subsequent to Aug. 10, 2007 has been disclaimed.

[**] Term: **14 Years**

[21] Appl. No.: **810,019**

[22] Filed: **Dec. 17, 1991**

[52] U.S. Cl. **D6/480**

[58] Field of Search **D6/480-489, D6/495, 496, 498, 499; 108/50, 161**

[56] **References Cited**

U.S. PATENT DOCUMENTS

- D. 16,723 6/1886 Ernewein D6/480 X
- D. 25,676 6/1896 Beckwith D6/480
- D. 63,281 1/1923 Cameron .
- D. 78,457 5/1929 Ekvall D6/486 X
- D. 79,962 11/1929 Gommesen D6/480 X
- D. 91,848 3/1933 Slee .
- D. 98,434 12/1935 Hoffmann .

- D. 132,875 3/1941 Cooper .
- D. 246,881 1/1978 Imber et al. .
- D. 257,750 1/1981 Beall, Jr. .
- D. 265,451 7/1982 Wistehuff .
- D. 280,371 9/1985 Bayly .
- D. 281,125 10/1985 Brown .

OTHER PUBLICATIONS

The Bombay Co. p. 13, item D at bottom right. Drexel Catalog, Francesca II—p. 26, ©1977, top left corner table.

Thousulle-Four Corners, 1989, item B at bottom.

Primary Examiner—Nelson C. Holtje

Assistant Examiner—J. E. Seeger

Attorney, Agent, or Firm—Haynes and Boone

[57] **CLAIM**

The ornamental design for a coffee table, as shown and described.

DESCRIPTION

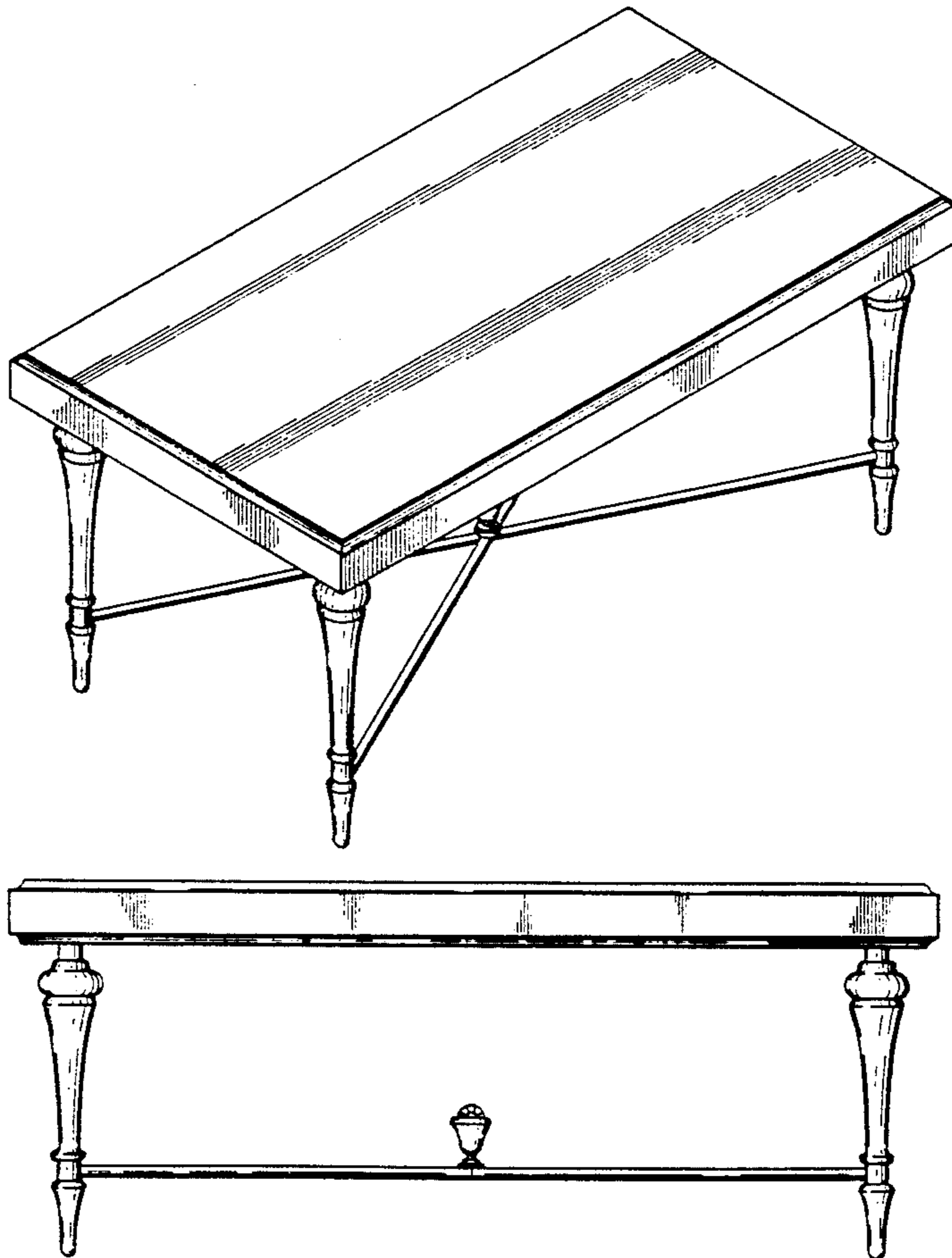
FIG. 1 is a perspective view of the coffee table showing my new design;

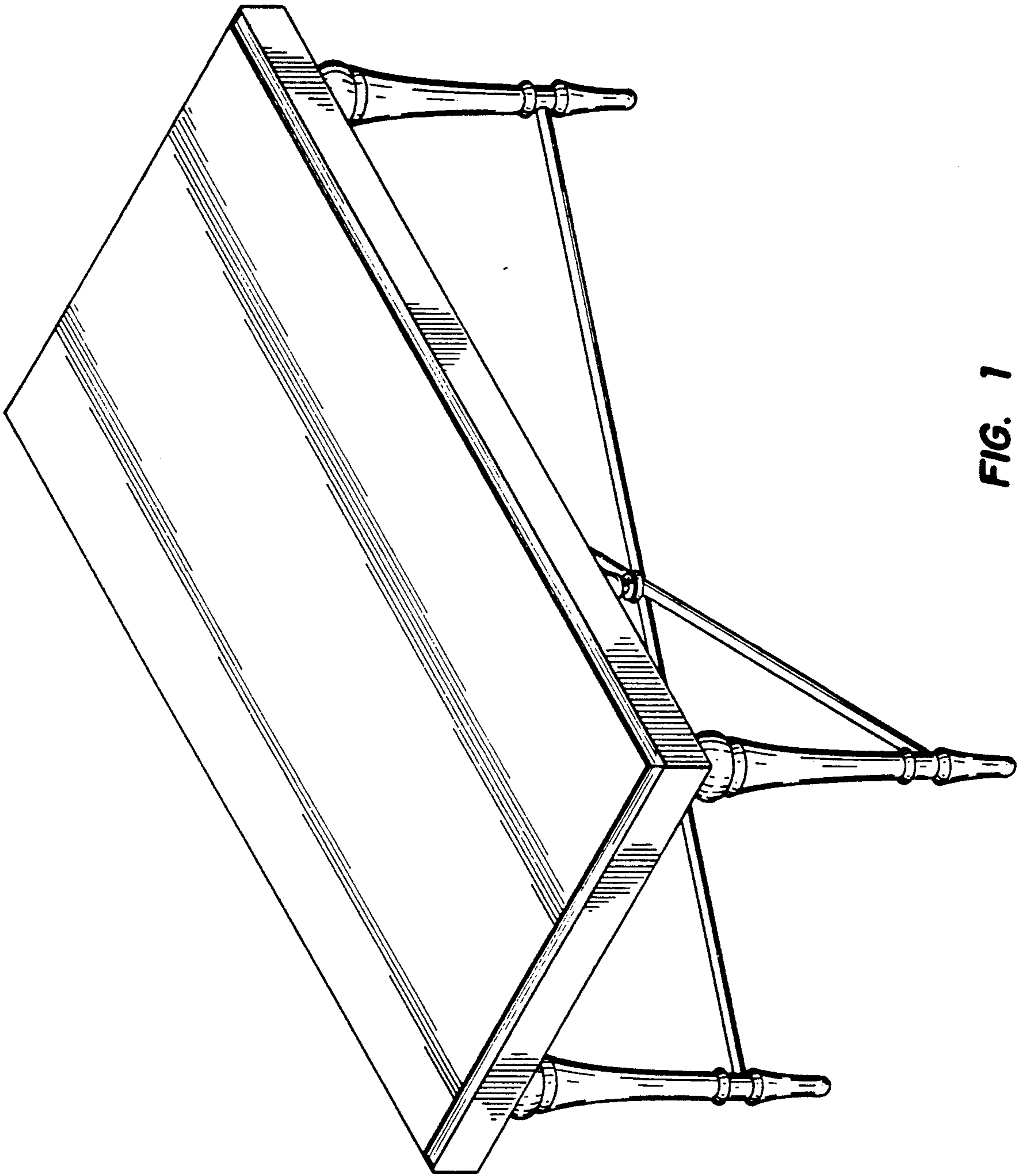
FIG. 2 is a front elevational view thereof;

FIG. 3 is a side elevational view (taken from the right side) thereof;

FIG. 4 is a top plan view thereof; and,

FIG. 5 is a bottom plan view thereof.





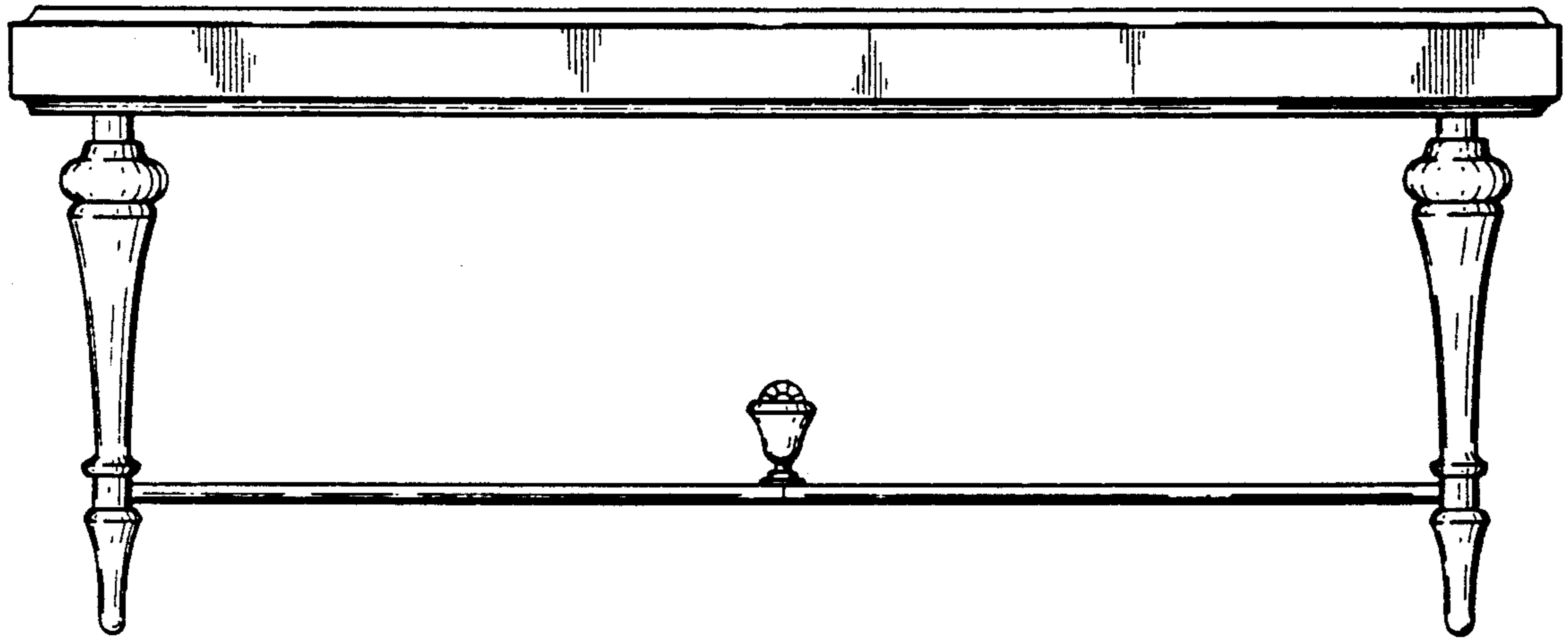


FIG. 2

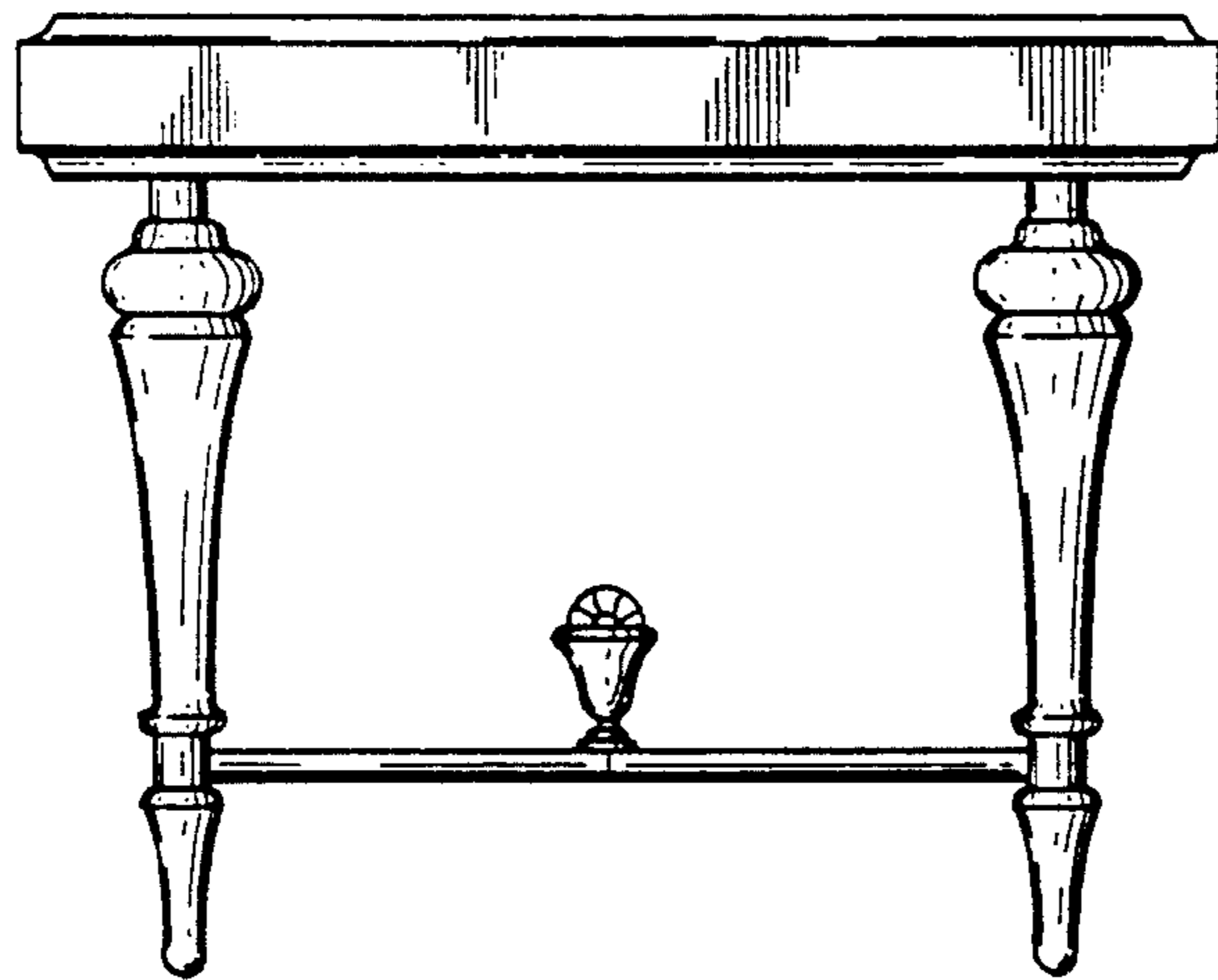


FIG. 3

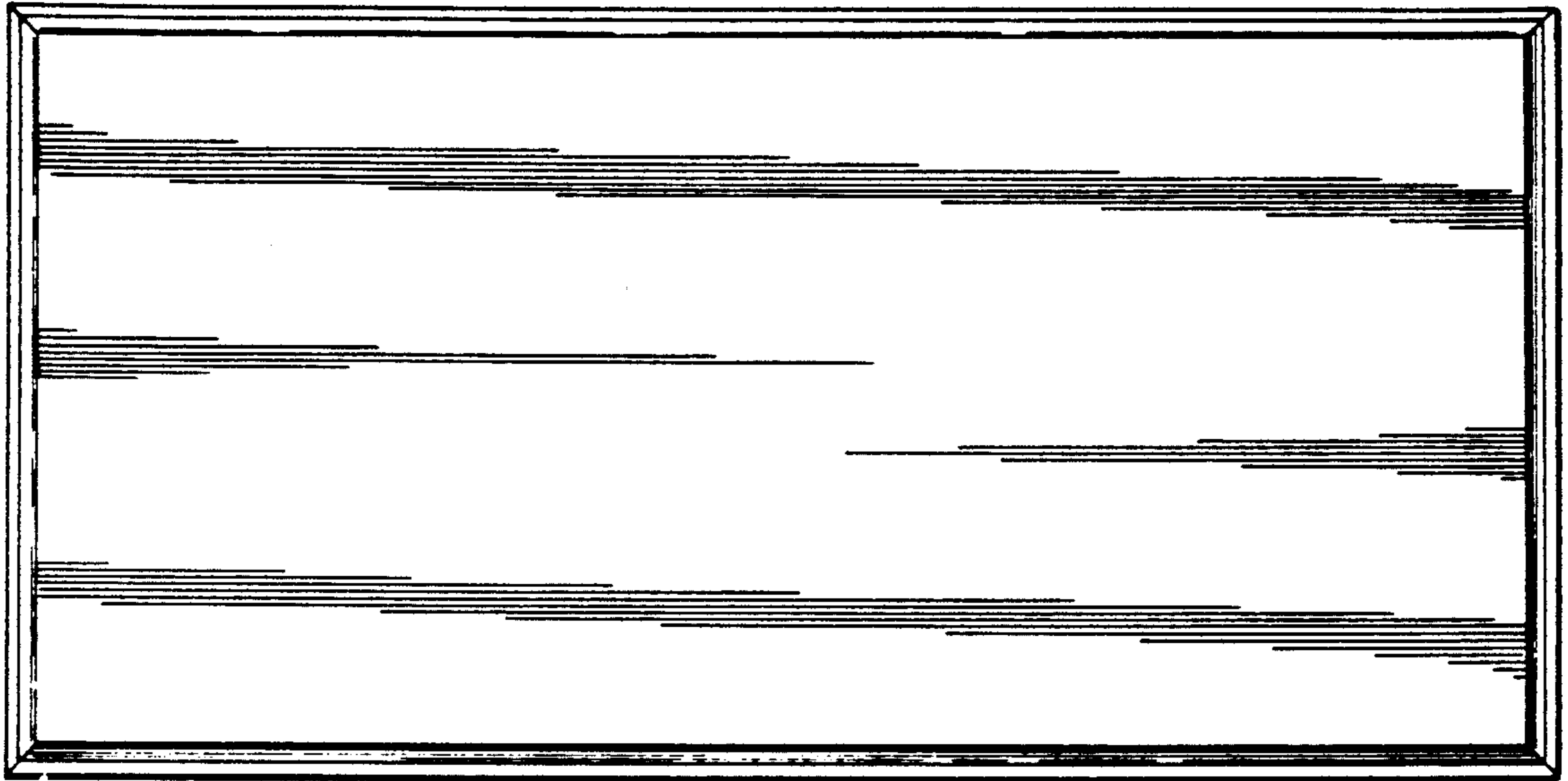


FIG. 4

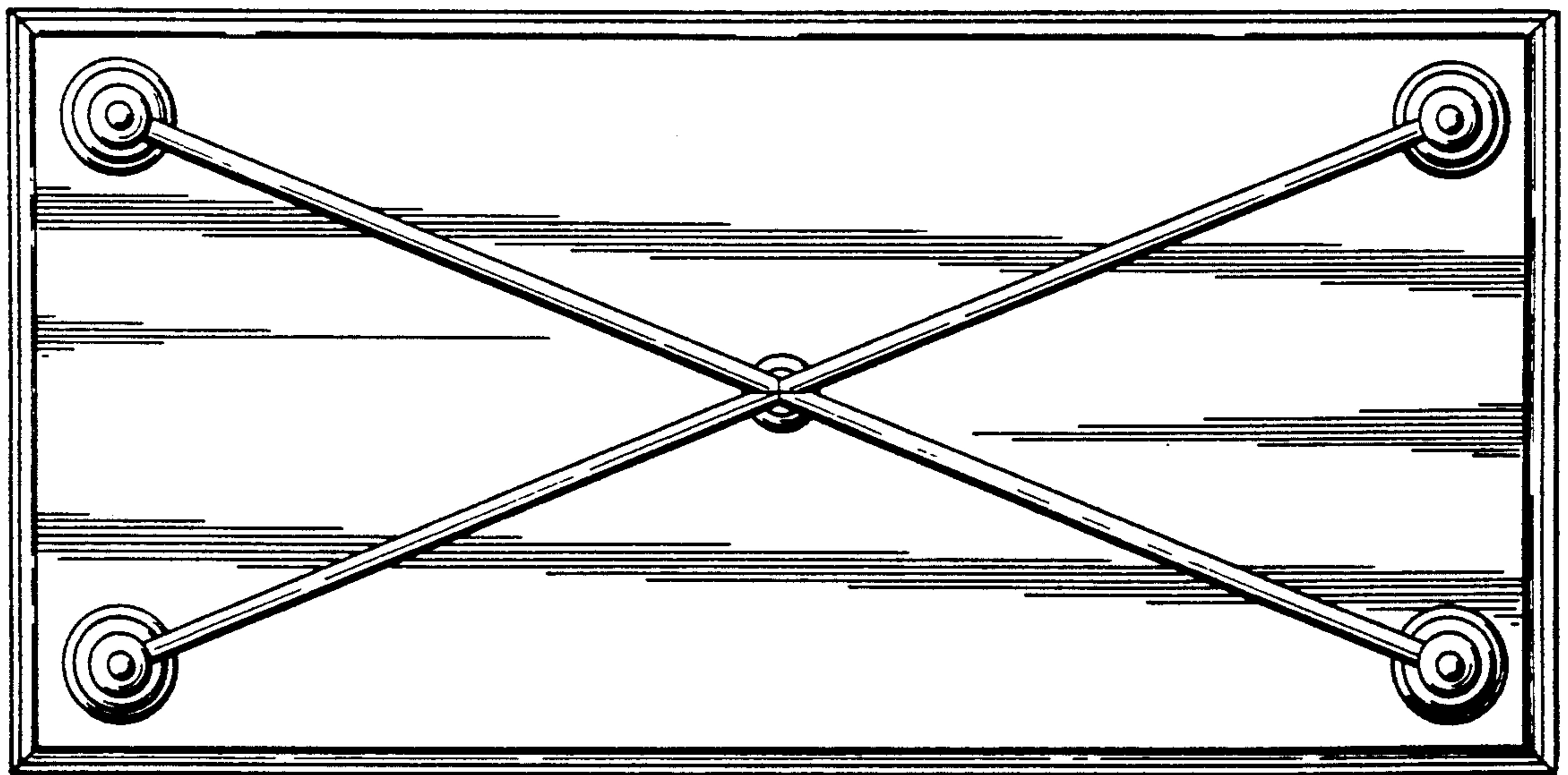


FIG. 5