



US00D341500S

# United States Patent [19]

Klein et al.

[11] Patent Number: **Des. 341,500**

[45] Date of Patent: **\*\* Nov. 23, 1993**

- [54] **SHOE RACK**
- [75] Inventors: **Richard B. Klein; Chris Serslev**, both of Overland Park, Kans.; **Vijay S. Malik**, Kansas City, Mo.
- [73] Assignee: **Lynk, Inc.**, Shawnee Mission, Kans.
- [\*\*] Term: **14 Years**
- [21] Appl. No.: **797,337**
- [22] Filed: **Nov. 25, 1991**
- [52] U.S. Cl. .... **D6/411; D6/407**
- [58] Field of Search ..... **D6/411-415, D6/462-468, 407; 211/34-38, 188, 194**

- 3,695,190 10/1972 Bucholz .
- 3,888,353 6/1975 Leifheit .
- 3,974,917 8/1976 Waxmanski ..... 211/36
- 4,673,092 6/1987 Lamson .
- 4,940,150 10/1990 Spengler .
- 5,172,816 12/1992 Kline et al. .... 211/37

*Primary Examiner*—Carmen H. Vales-Lado  
*Attorney, Agent, or Firm*—Kokjer, Kircher, Bowman & Johnson

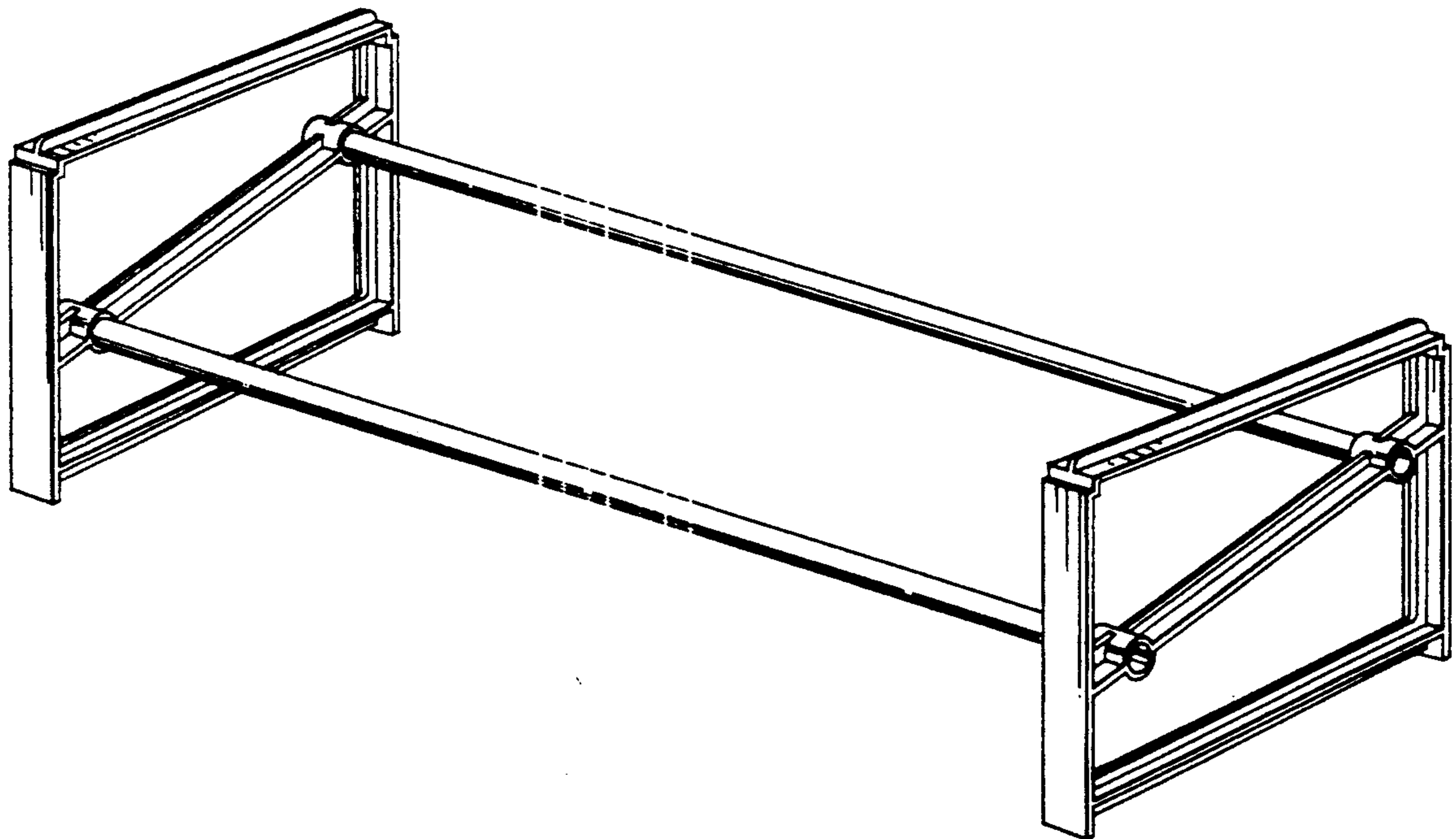
### [57] CLAIM

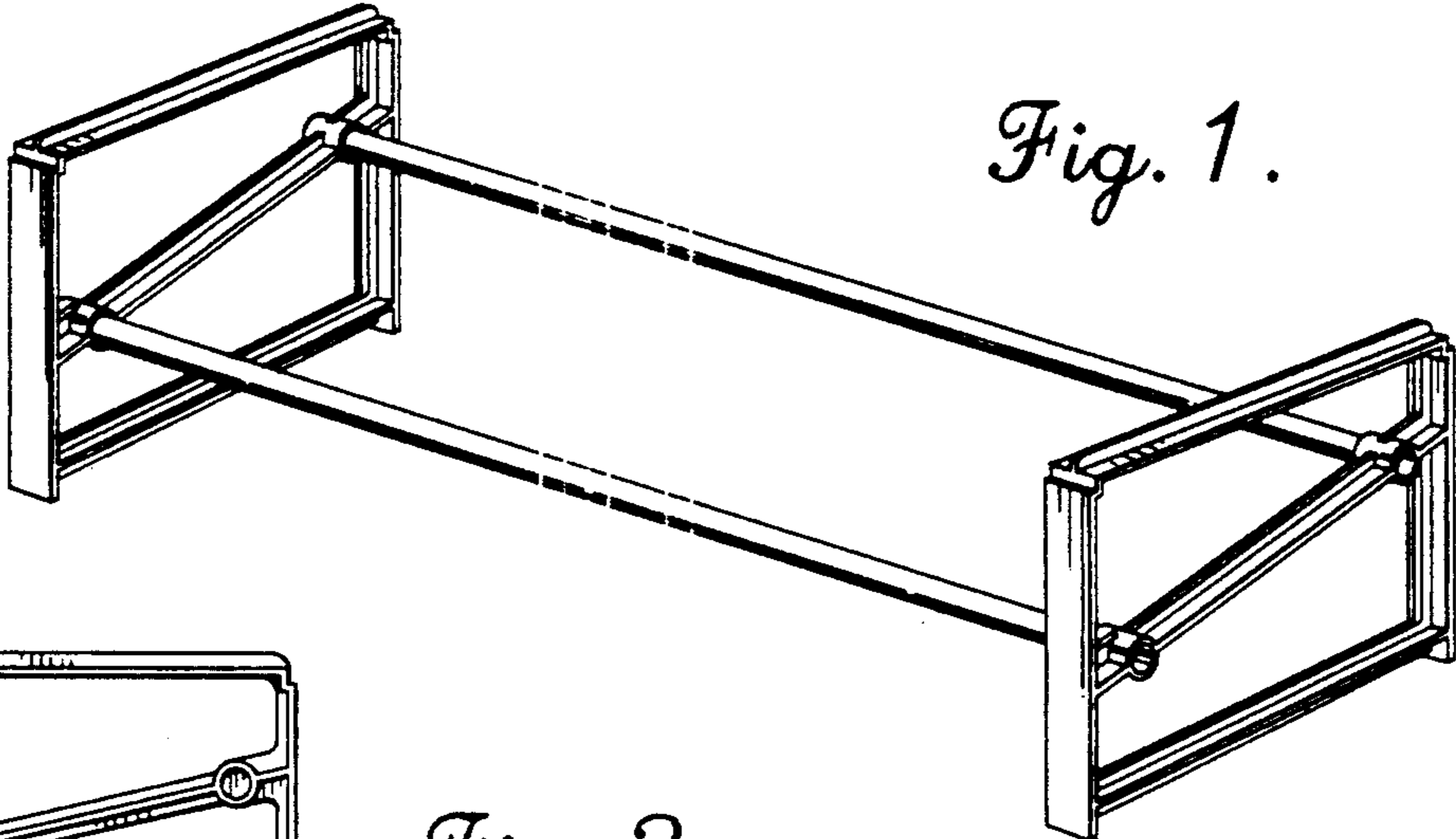
The ornamental design for a shoe rack, as shown and described.

### DESCRIPTION

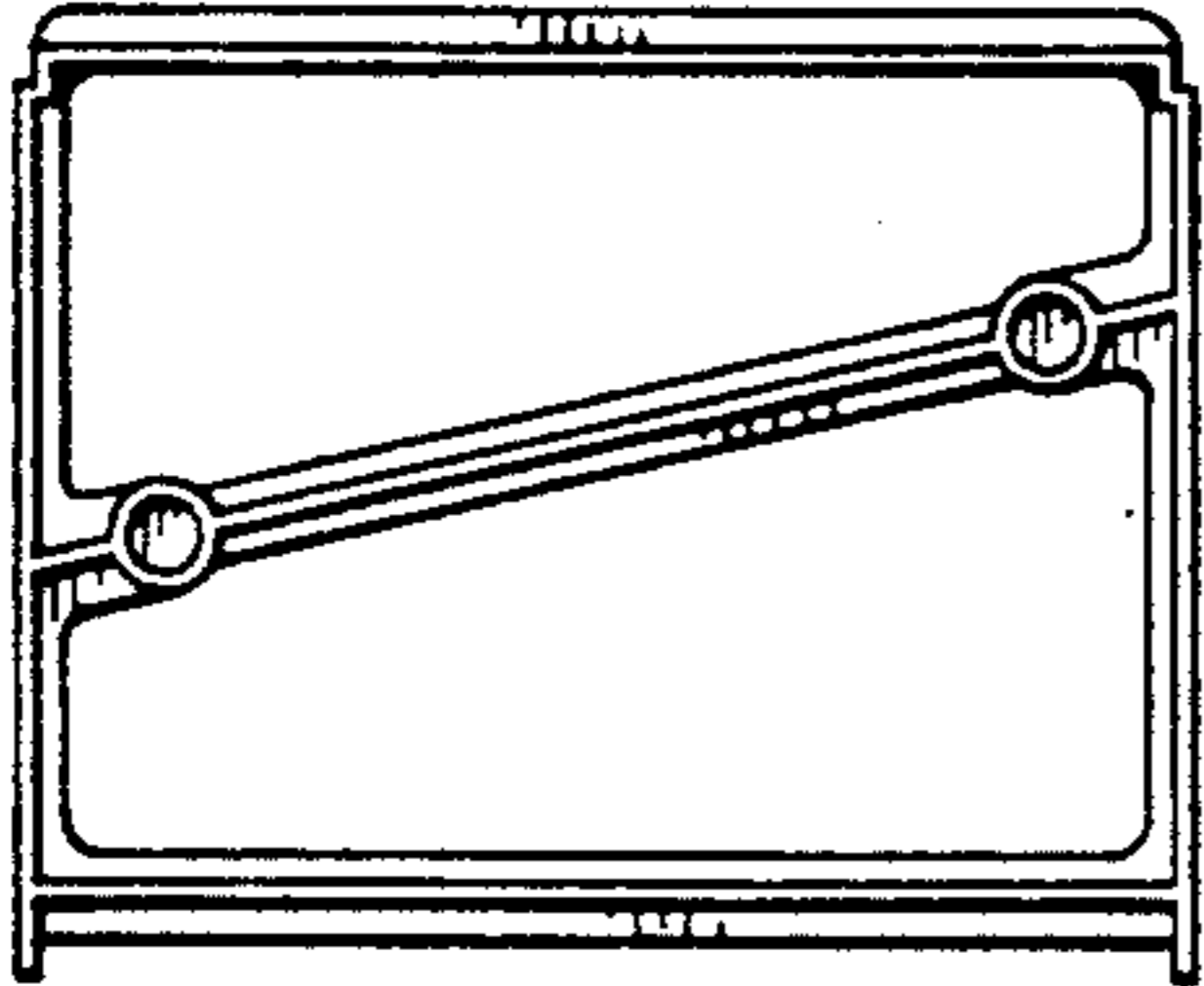
FIG. 1 is a perspective view of a shoe rack showing our new design;  
 FIG. 2 is an end elevational view, the opposite end being a mirror image thereof;  
 FIG. 3 is a front elevational view, the rear being identical thereto;  
 FIG. 4 is a top plan view thereof; and,  
 FIG. 5 is a bottom plan view thereof.

- [56] **References Cited**
- U.S. PATENT DOCUMENTS**
- D. 308,608 6/1990 Arnold ..... D6/411
- 790,669 5/1905 Winship .
- 873,496 3/1907 Bryant .
- 1,927,997 9/1933 Weston ..... 211/38
- 2,276,141 3/1942 Atkinson .
- 2,506,844 5/1950 Smith .

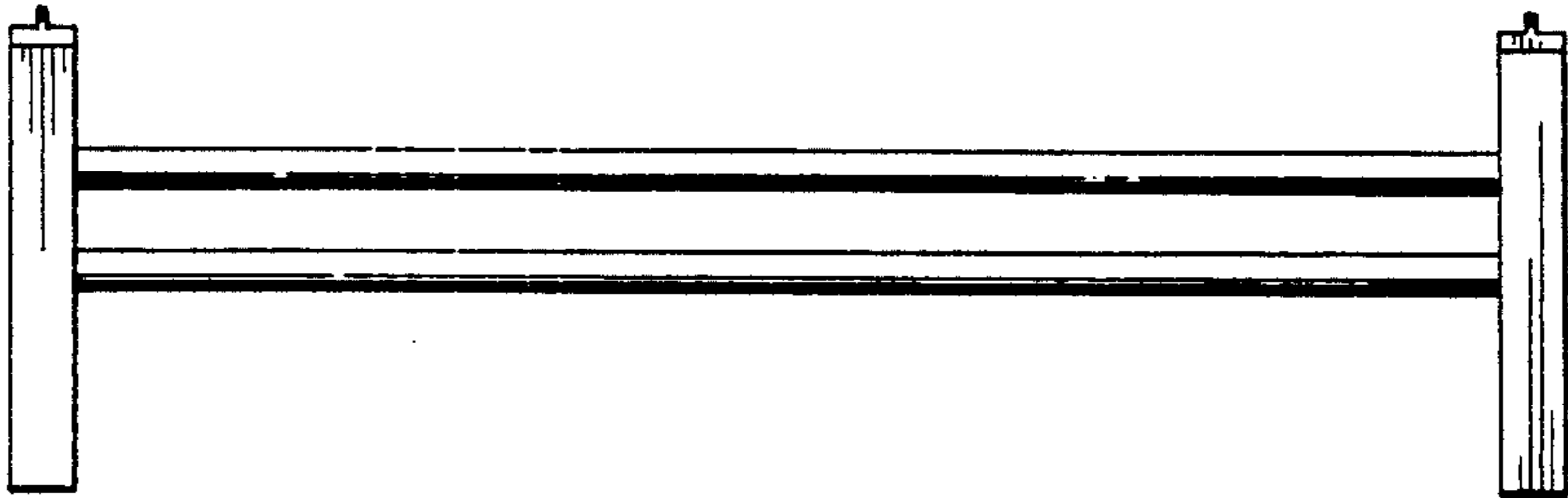




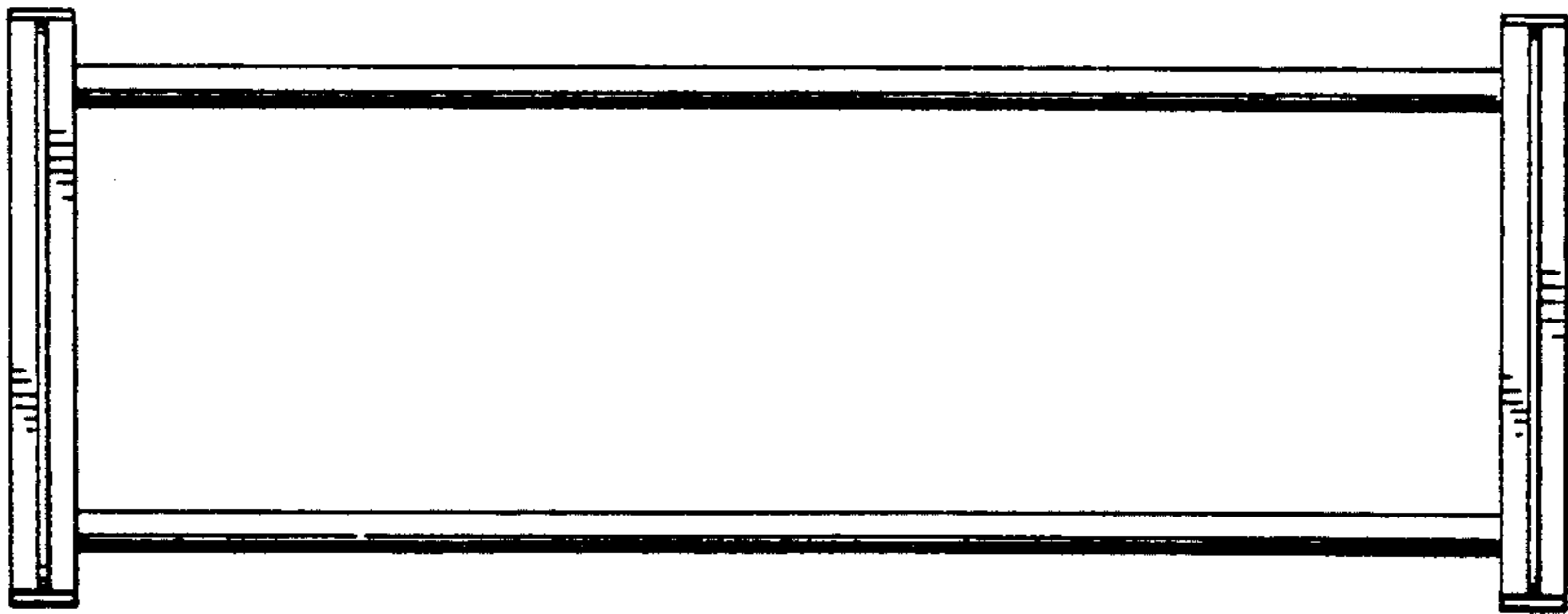
*Fig. 1.*



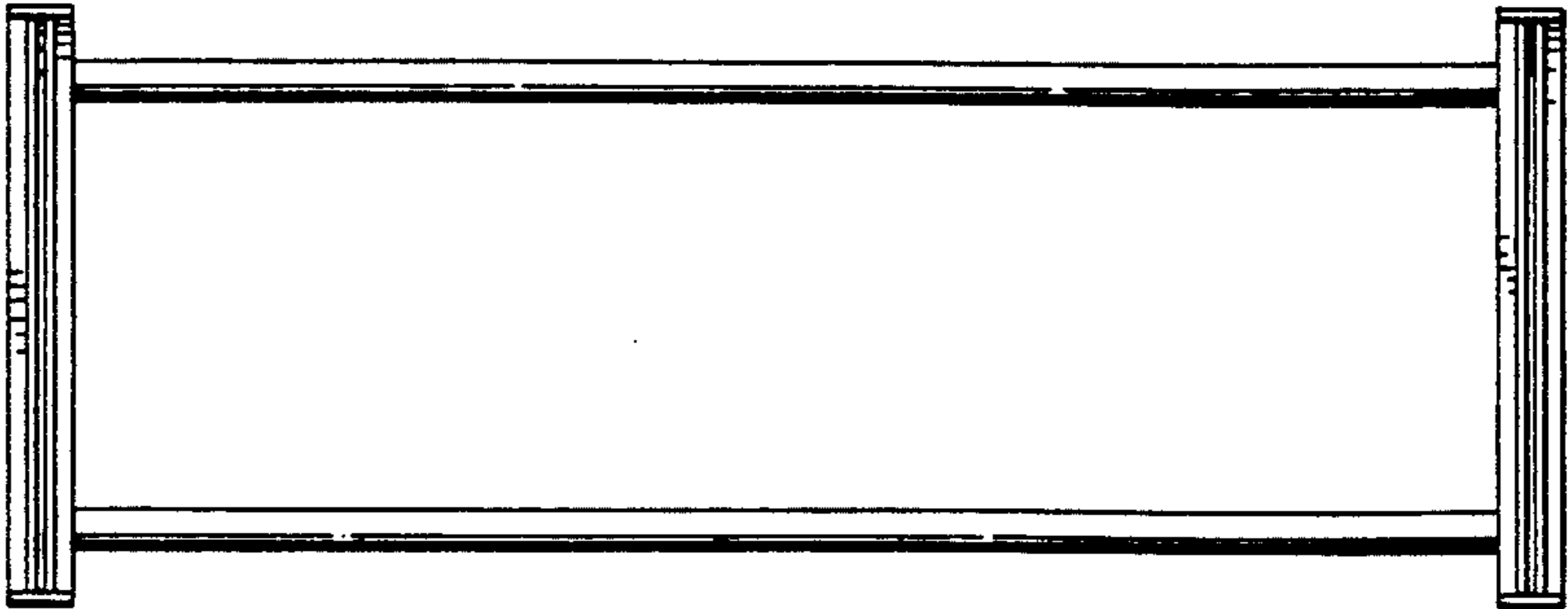
*Fig. 2.*



*Fig. 3.*



*Fig. 4.*



*Fig. 5.*