



US00D341499S

United States Patent [19]

[11] Patent Number: **Des. 341,499**

Horne

[45] Date of Patent: **** Nov. 23, 1993**

- [54] **THREE-HOLE TRAY TABLE**
- [75] Inventor: **William O. Horne, Whittier, Calif.**
- [73] Assignee: **Auto Table Partnership, Orange County, Calif.**
- [**] Term: **14 Years**
- [21] Appl. No.: **637,748**
- [22] Filed: **Jan. 7, 1991**
- [52] U.S. Cl. **D6/406; D6/467; D3/40; D9/346; D9/433**
- [58] Field of Search **D6/406, 466-469; D3/40; D9/433, 346; D7/620; 248/459, 444, 174; 108/5, 25, 32, 43; 206/224**

Primary Examiner—Carmen H. Vales-Lado
Attorney, Agent, or Firm—G. Donald Weber, Jr.

[57] CLAIM

The design for a three-hole tray table, as shown and described.

DESCRIPTION

FIG. 1 is a perspective view of the three-hole tray table in the assembled condition, showing my new design. The foreground side is partially broken away for convenience of illustration;

FIG. 2 is a top plan view of the blank for the tray of FIG. 1 in the unfolded condition. The broken lines represent fold lines for the blank;

FIG. 3 is a longitudinal edge view of the blank shown in FIG. 2. The opposite longitudinal edge view is substantially identical;

FIG. 4 is a bottom plan view of the blank shown in FIG. 2. The broken lines represent fold lines for the blank;

FIG. 5 is a left end elevational view thereof; and, FIG. 6 is a right end elevational view thereof.

[56] References Cited

U.S. PATENT DOCUMENTS

D. 261,618	11/1981	Oliff et al.	D9/433
D. 319,357	8/1991	Horne	D6/406
4,915,035	4/1990	Clark et al.	248/444 X
5,127,339	7/1992	Hood, Jr.	108/43

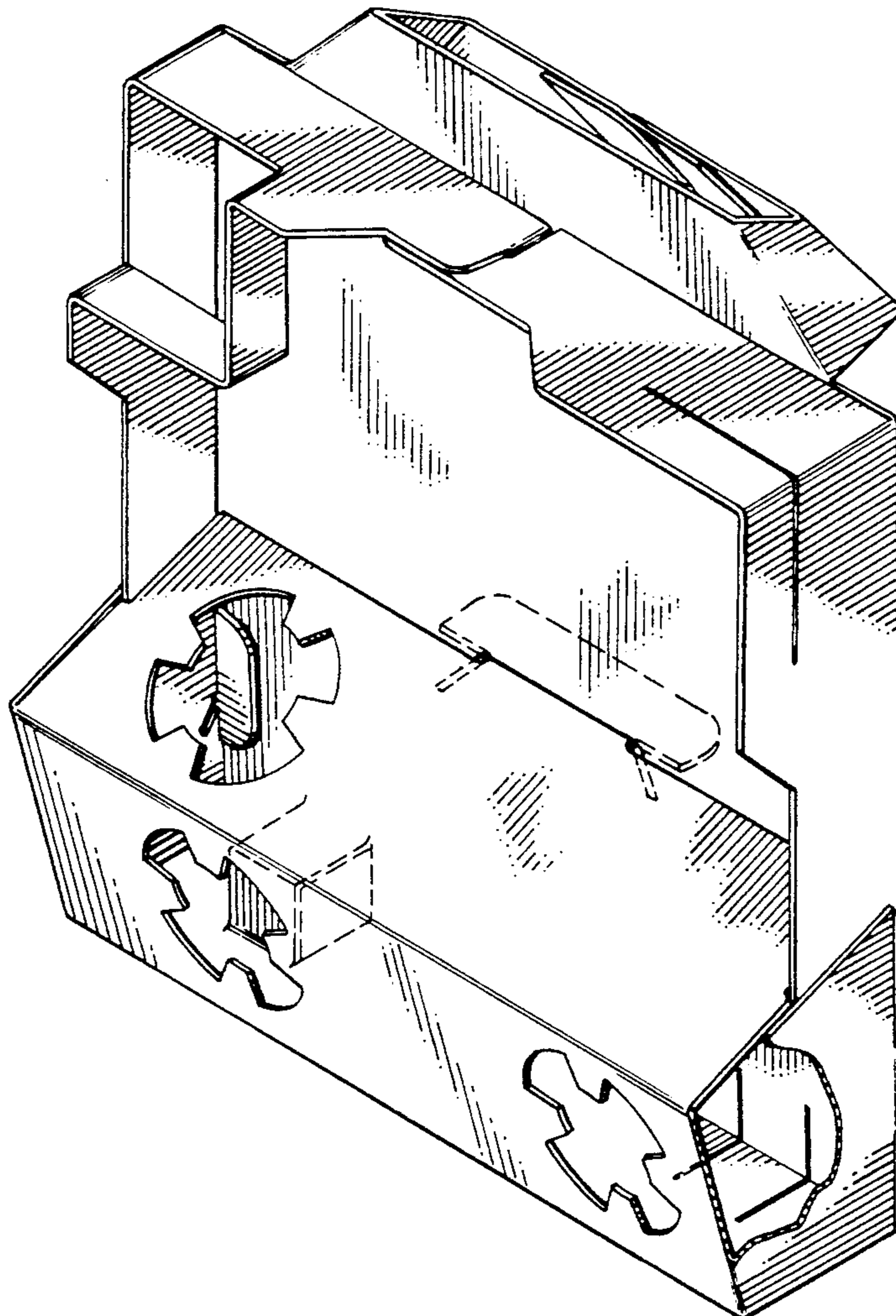


FIG. 1

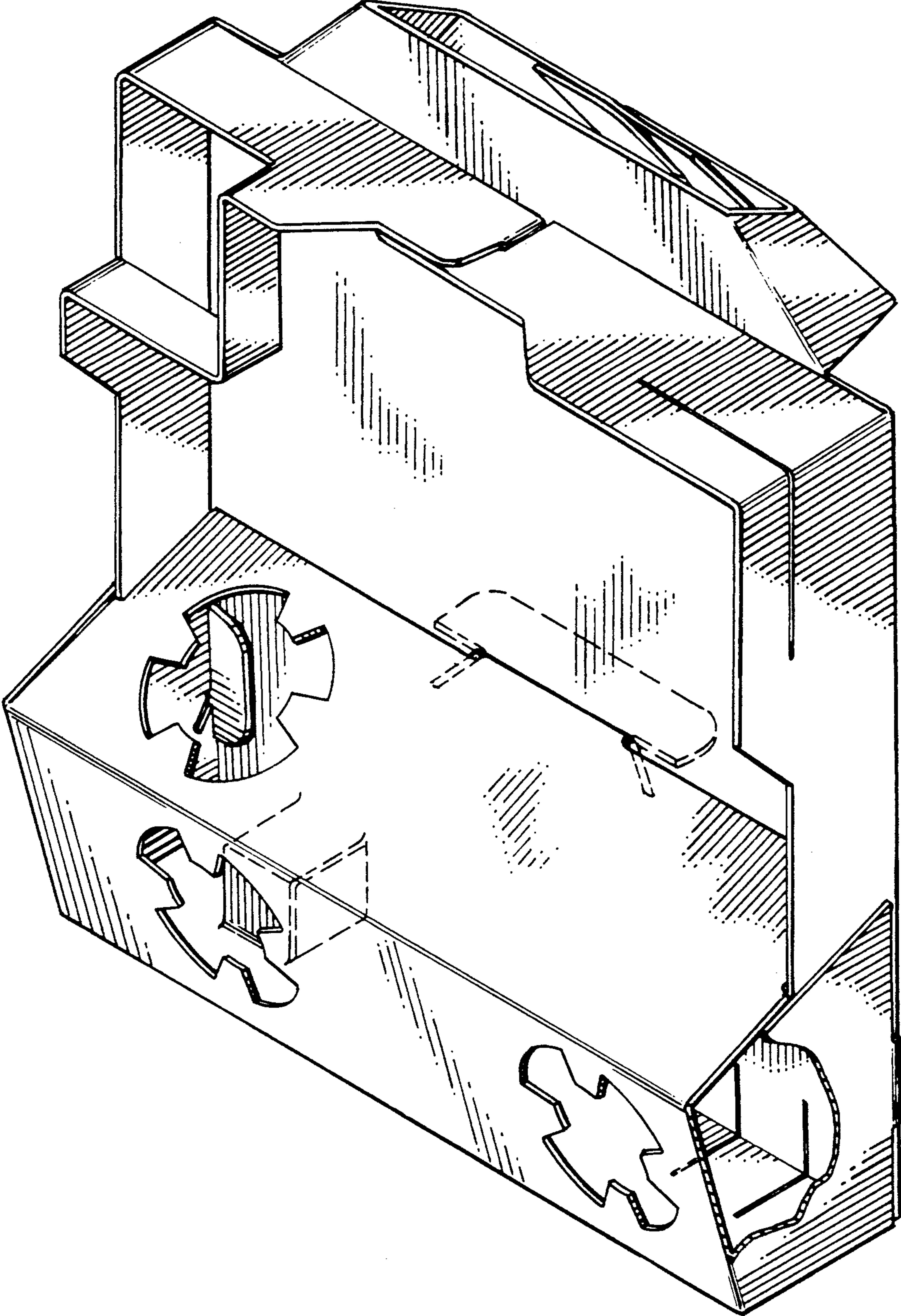


FIG. 2

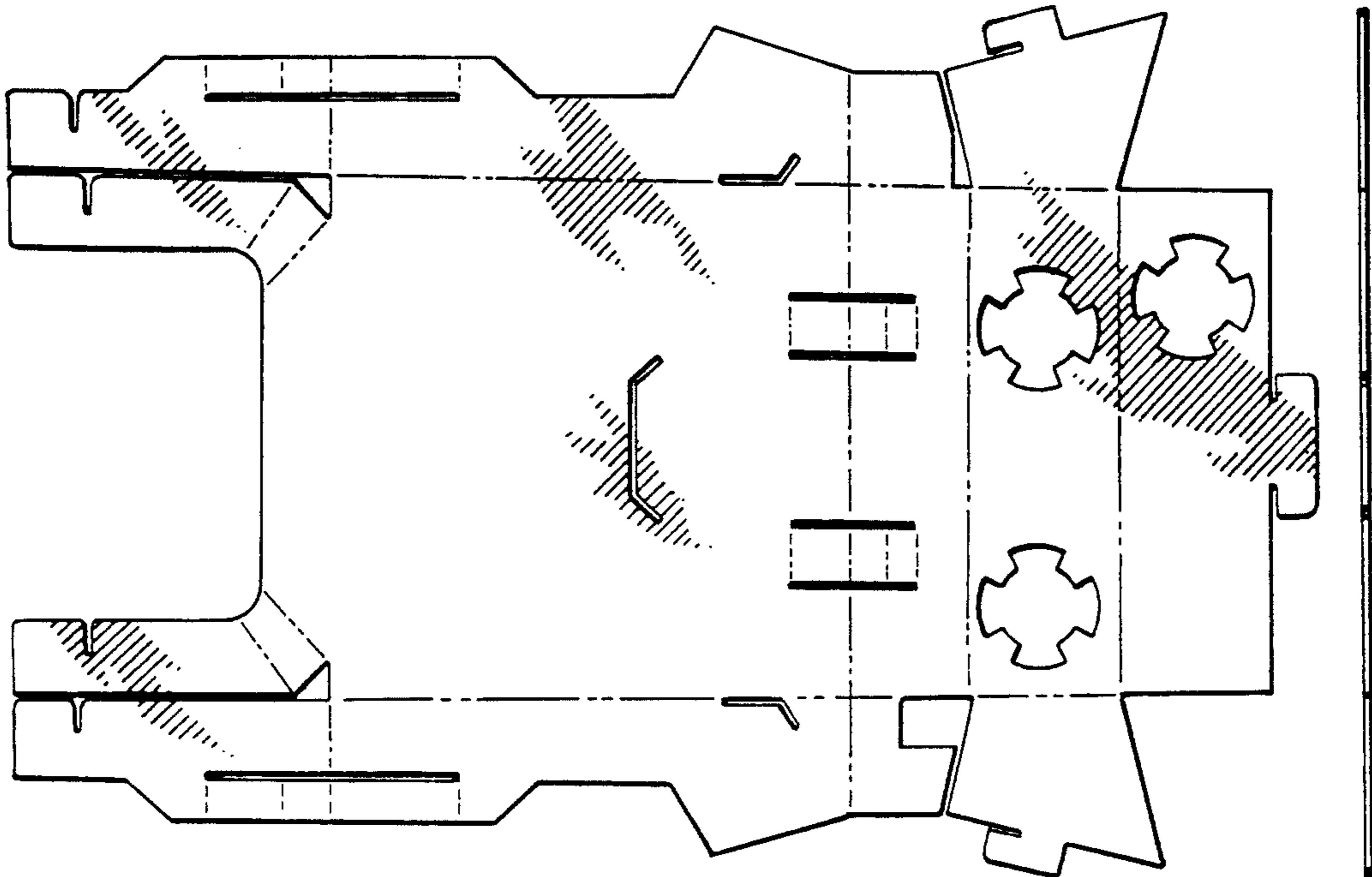


FIG. 6



FIG. 3

FIG. 5

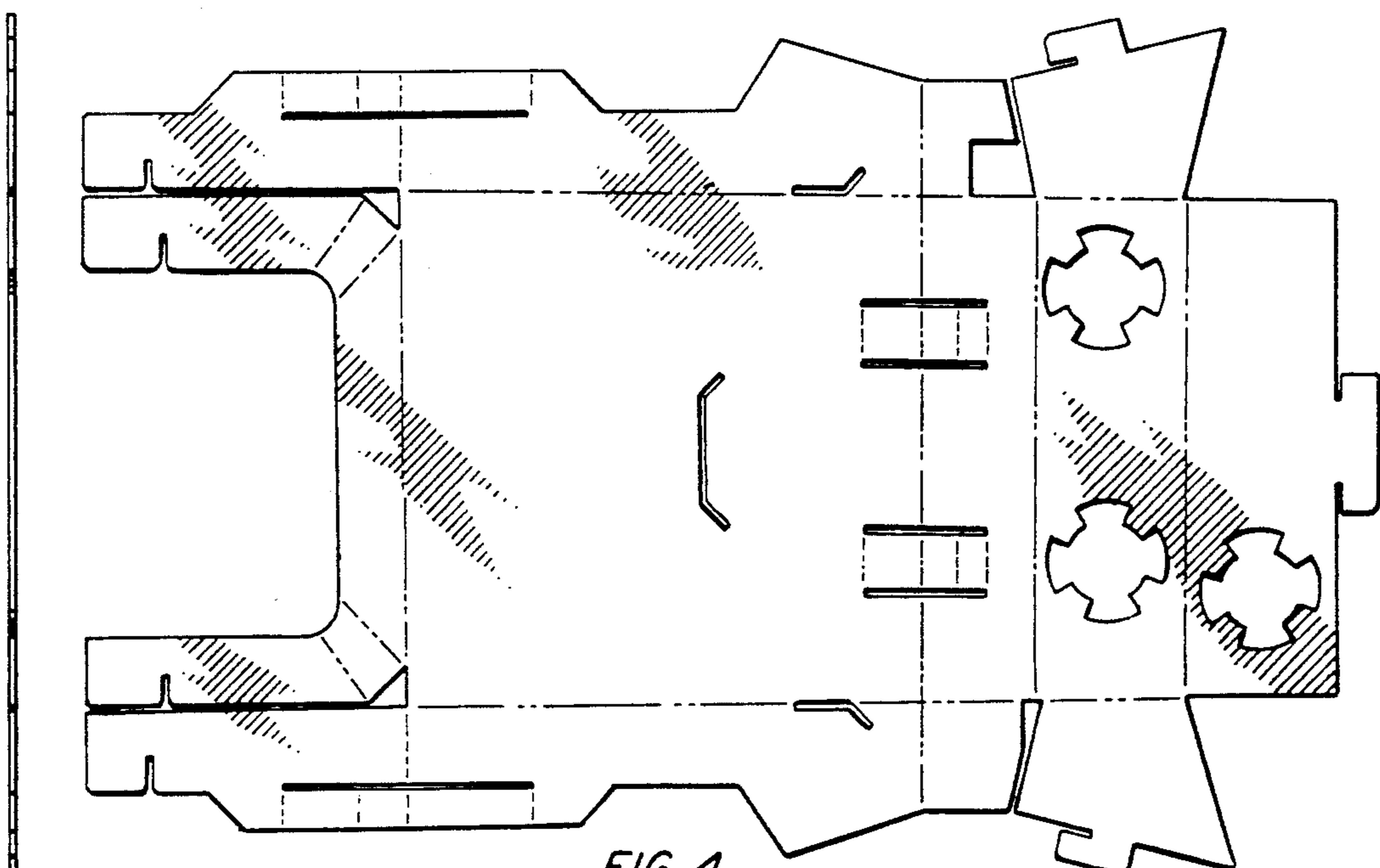


FIG. 4