



US00D341495S

United States Patent [19]

[11] Patent Number: **Des. 341,495**

Stierli

[45] Date of Patent: **** Nov. 23, 1993**

[54] CHAIR

[75] Inventor: **Dieter Stierli, Bützberg, Switzerland**

[73] Assignee: **Girsberger Holding AG, Bützberg, Switzerland**

[**] Term: **14 Years**

[21] Appl. No.: **778,685**

[22] Filed: **Oct. 16, 1991**

[30] Foreign Application Priority Data

Apr. 22, 1991 [DE] Fed. Rep. of Germany ... M9103040

[52] U.S. Cl. **D6/372; D6/375; D6/379**

[58] Field of Search **D6/334, 369, 371, 372, D6/373, 374, 375, 379, 500, 501, 502; 297/418, 419, 445**

[56] References Cited

U.S. PATENT DOCUMENTS

D. 80,604	3/1930	Chapman	D6/372
D. 102,999	2/1937	Terker	D6/369
D. 224,856	10/1972	Charity	D6/372
D. 230,670	3/1974	Begge	D6/372
D. 244,647	6/1977	Offredi	D6/372
D. 258,480	3/1981	Rowland	D6/375
D. 293,982	2/1988	vogtherr	D6/372
D. 301,663	6/1989	Vonhausen	D6/372
D. 326,371	5/1992	Buchacz	D6/372
D. 331,669	12/1992	Citterio	D6/372

OTHER PUBLICATIONS

Interiors, May 1981, p. 29, Thonet chair at left.
Design Institute America, chair #50632 at bottom left.
Interiors, May 1987, p. 73, chair by Caruso at bottom right.

Drosoal Comforts, Supplement to Metropolis, May 1989, p. 11, chair second from right in mid-page-frame.

Primary Examiner—Alan P. Douglas
Assistant Examiner—Gary D. Watson
Attorney, Agent, or Firm—Peter K. Kontler

[57] CLAIM

The ornamental design for a chair, as shown and described.

DESCRIPTION

FIG. 1 is a front right-hand perspective view of a chair showing my new design;

FIG. 2 is a right-hand side elevational view thereof, the left-hand side being a mirror image of the right-hand side;

FIG. 3 is a front elevational view thereof;

FIG. 4 is a rear elevational view thereof;

FIG. 5 is a top plan view thereof;

FIG. 6 is a bottom plan view thereof;

FIG. 7 is a front right-hand perspective view of a modified chair;

FIG. 8 is a right-hand side elevational view thereof, the left-hand side being a mirror image of the right-hand side;

FIG. 9 is a front elevational view thereof;

FIG. 10 is a rear elevational view thereof;

FIG. 11 is a top plan view thereof;

FIG. 12 is a bottom plan view thereof;

FIG. 13 is a front right-hand perspective view of a further chair;

FIG. 14 is a right-hand side elevational view thereof, the left-hand side being a mirror image of the right-hand side;

FIG. 15 is a front elevational view thereof;

FIG. 16 is a rear elevational view thereof;

FIG. 17 is a top plan view thereof; and,

FIG. 18 is a bottom plan view thereof.

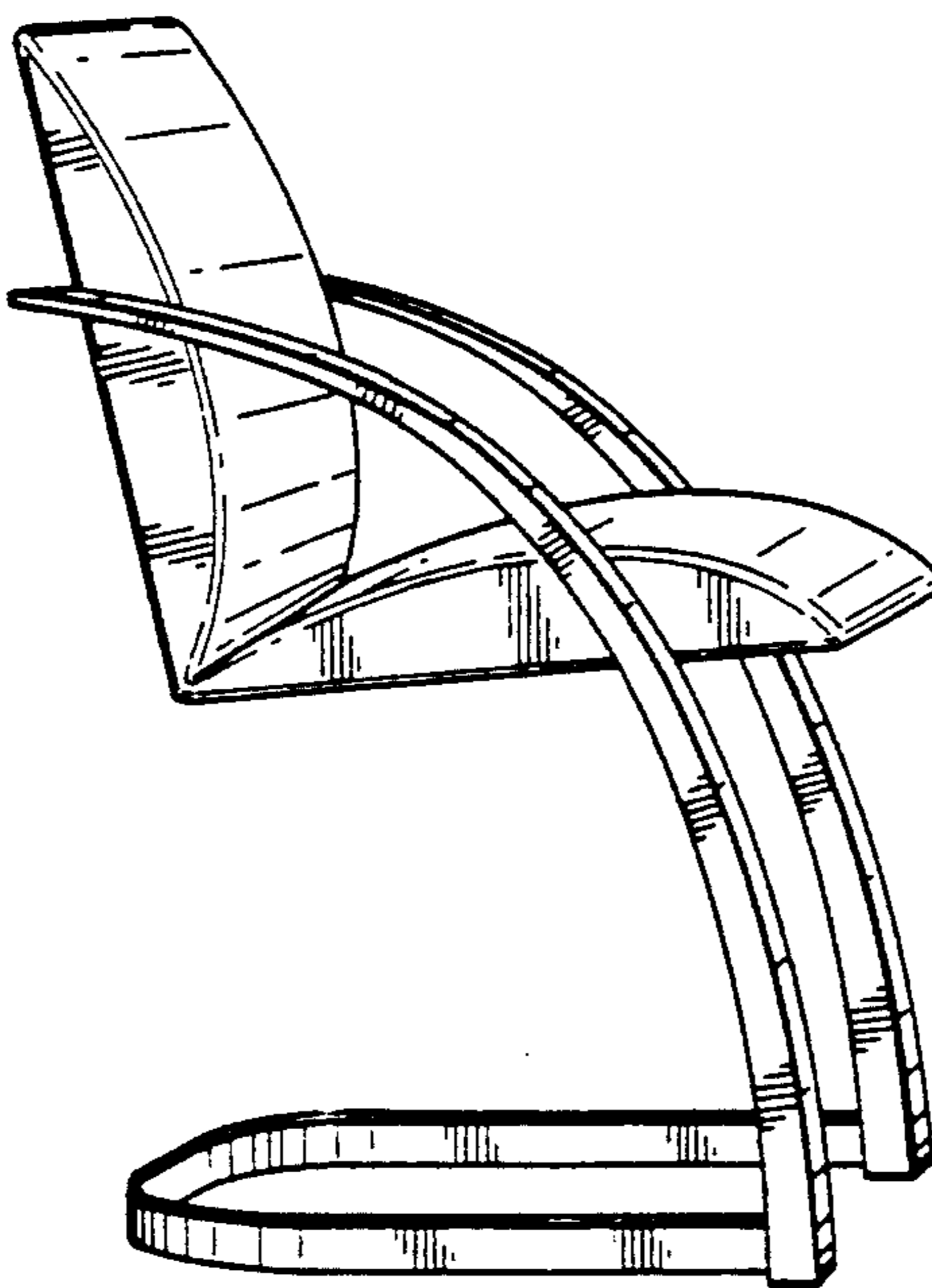
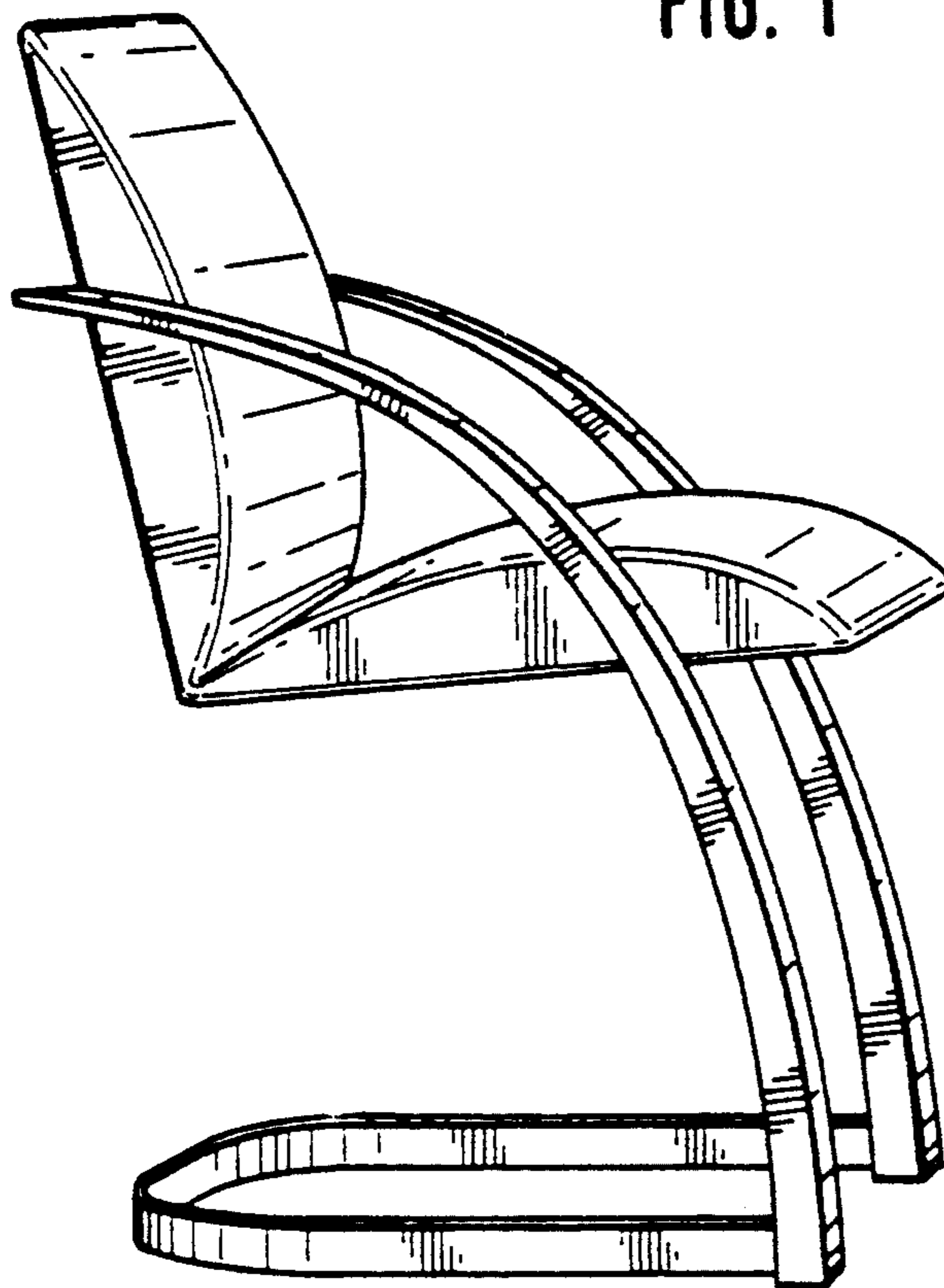


FIG. 1



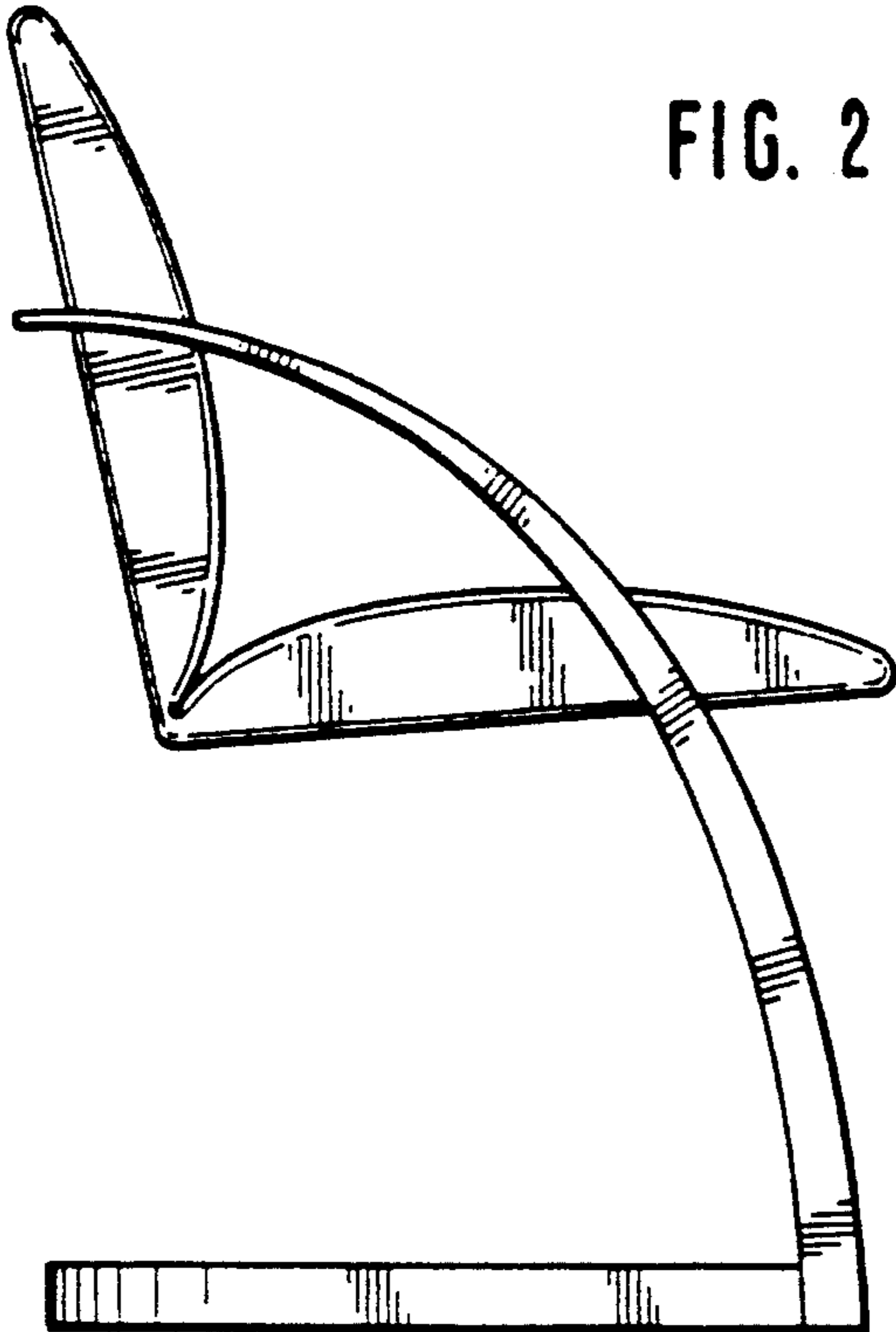


FIG. 2

FIG. 3

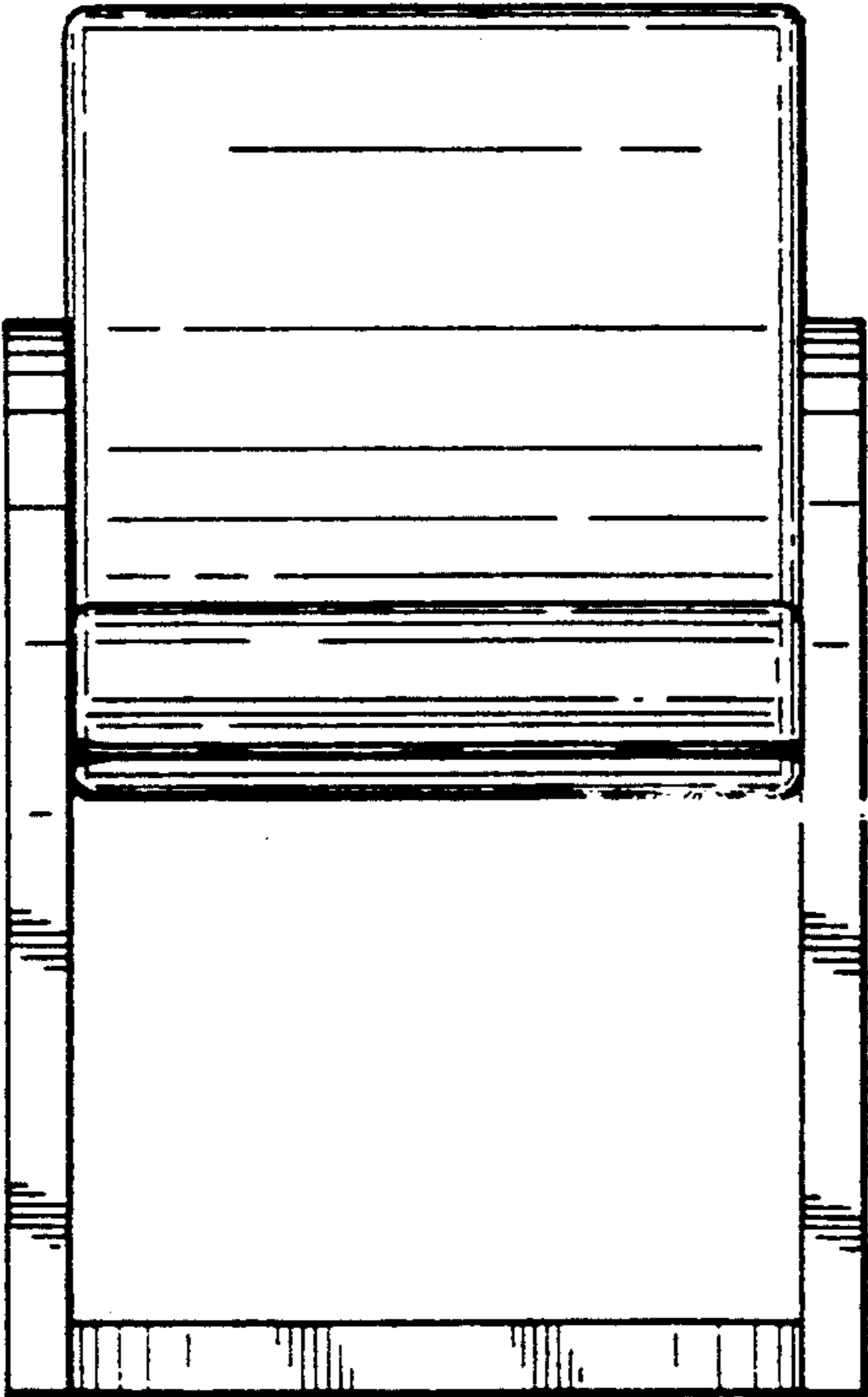


FIG. 4

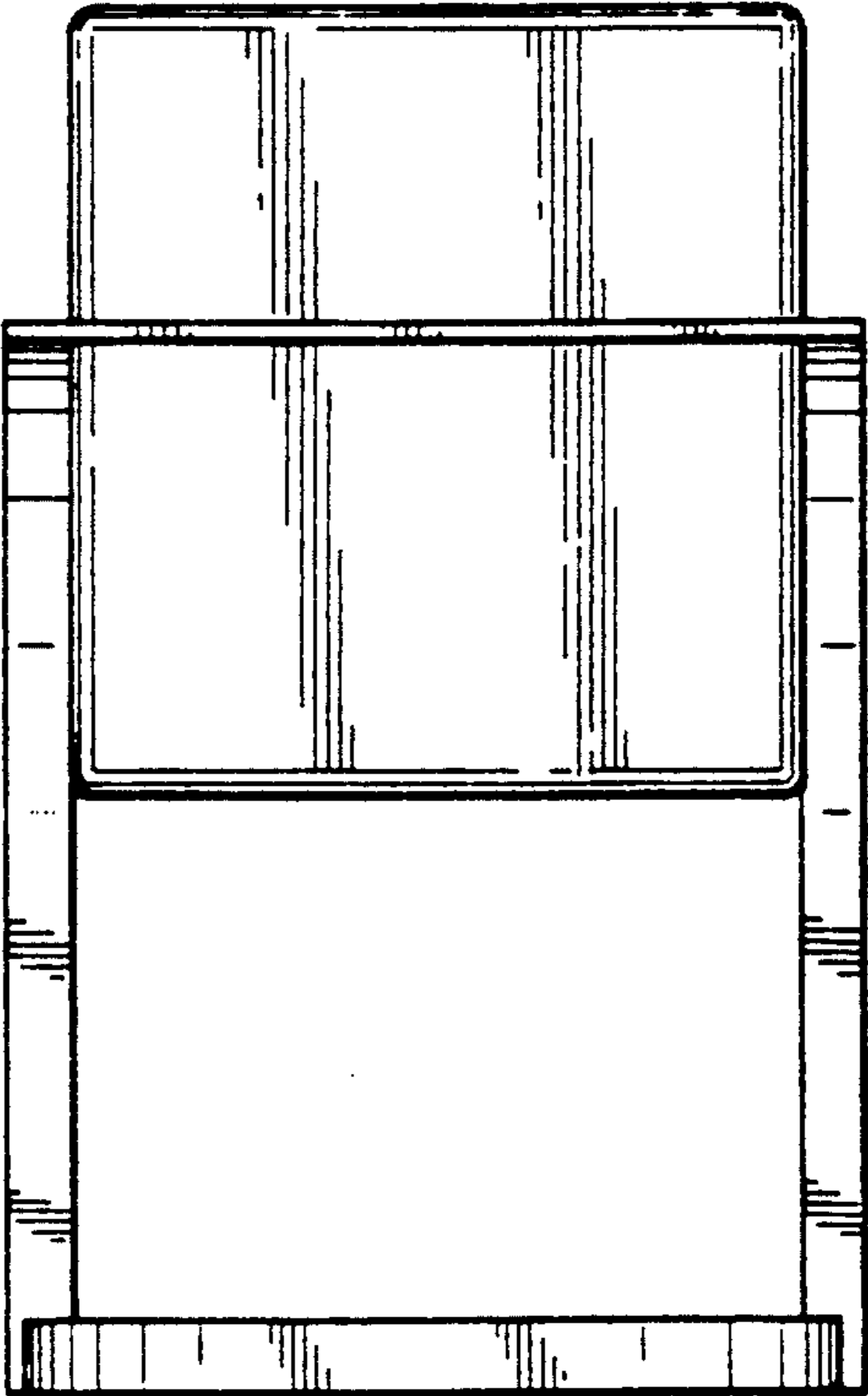


FIG. 5

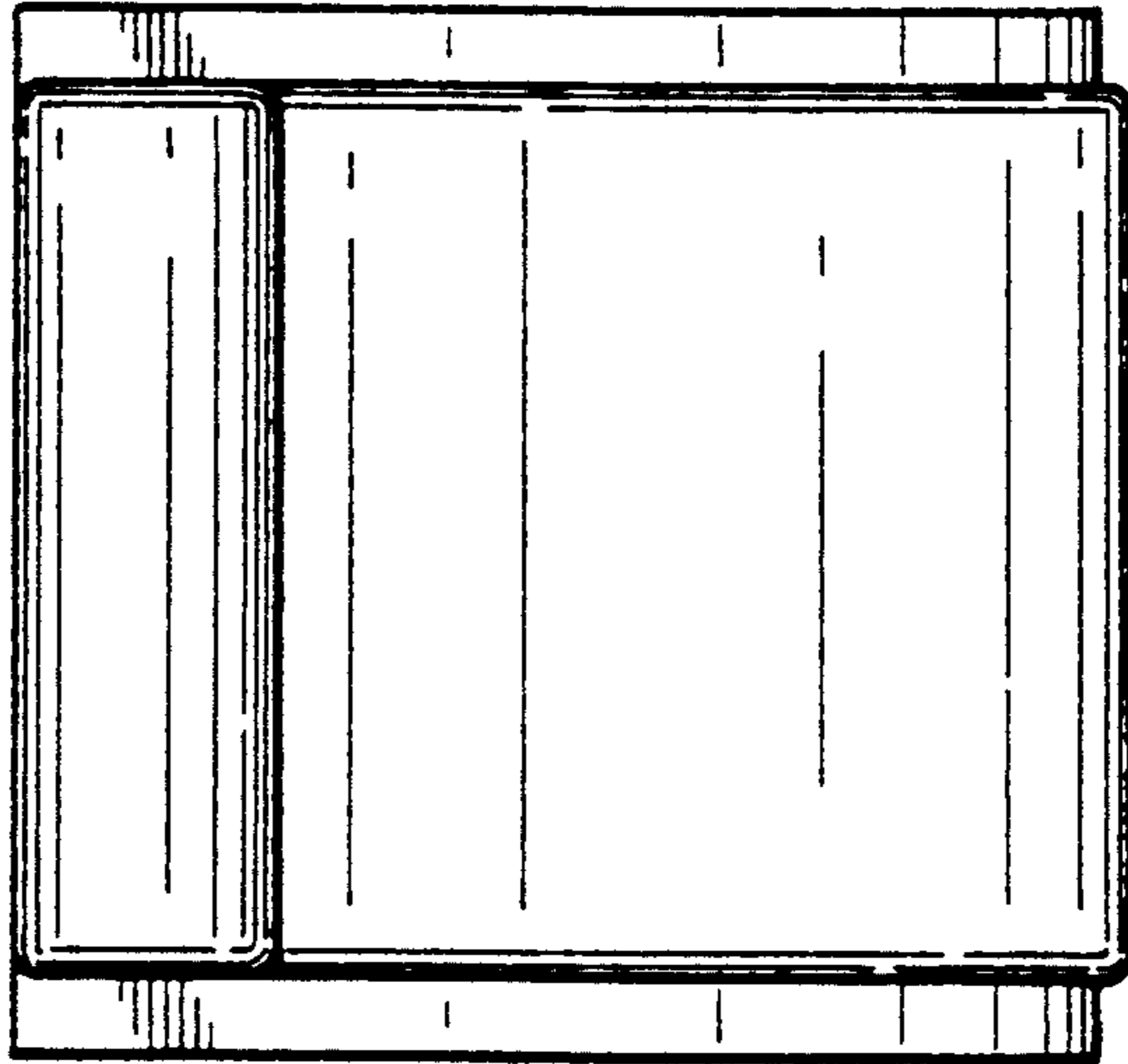


FIG. 6

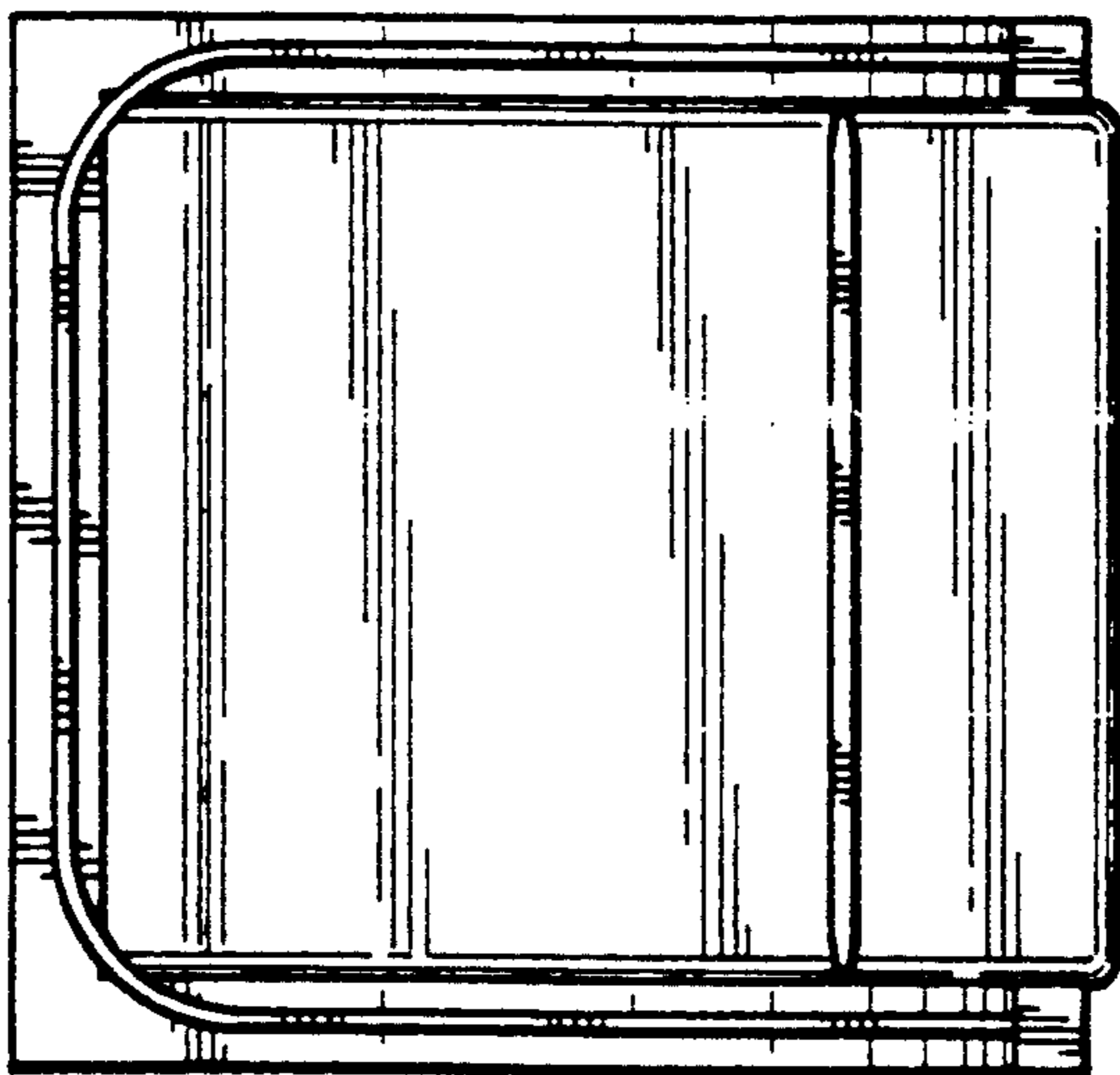
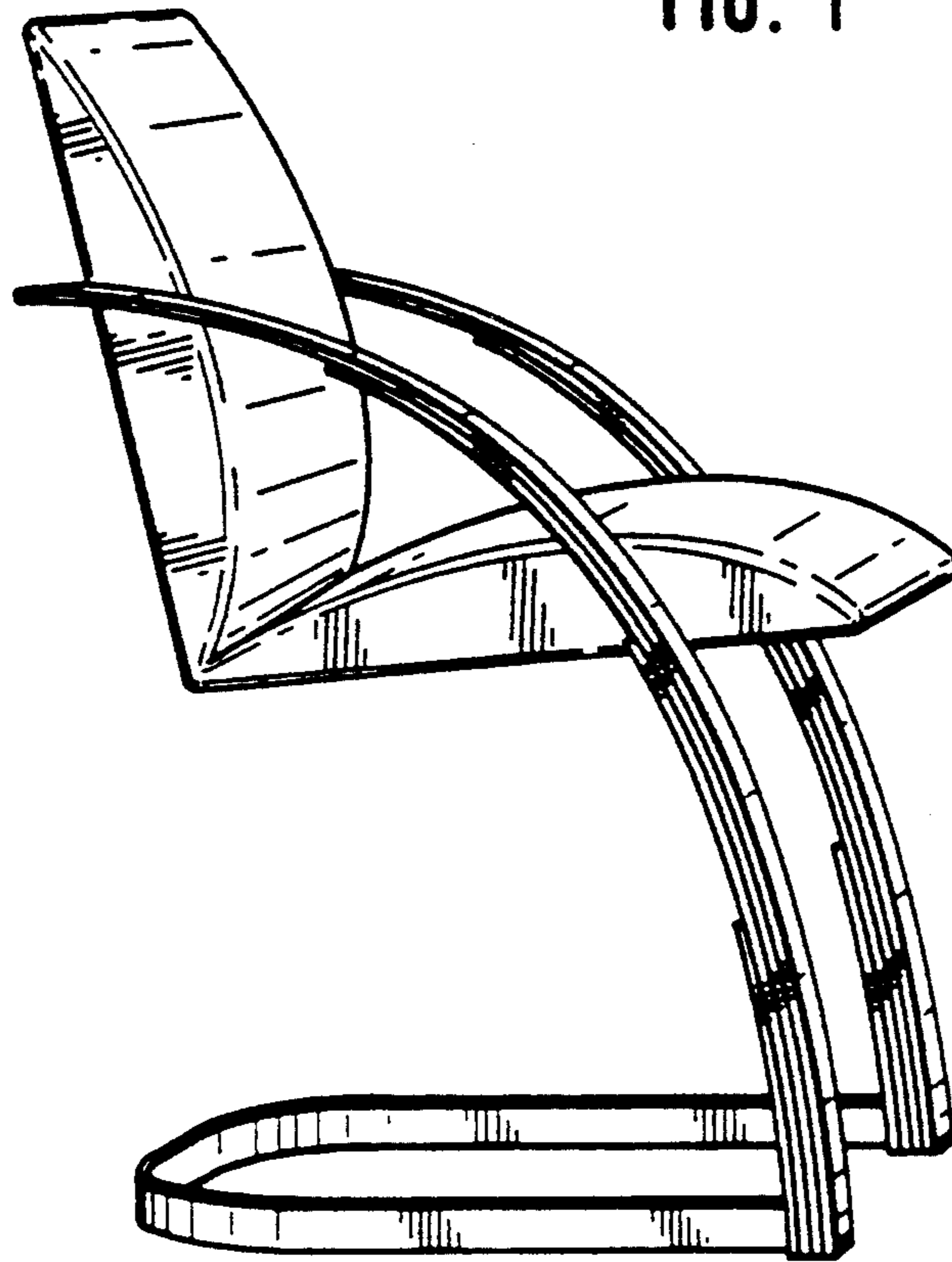


FIG. 7



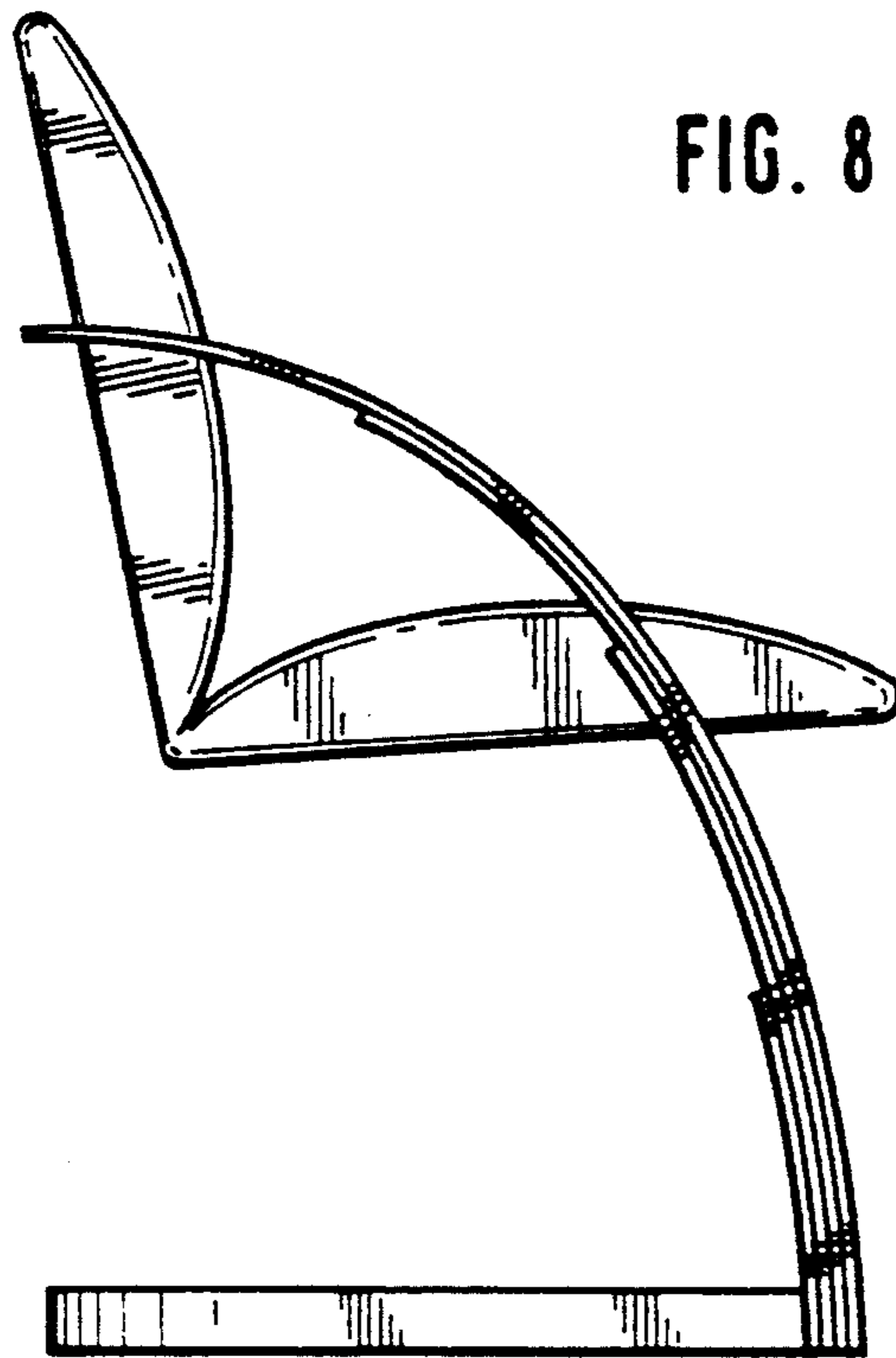


FIG. 8

FIG. 9

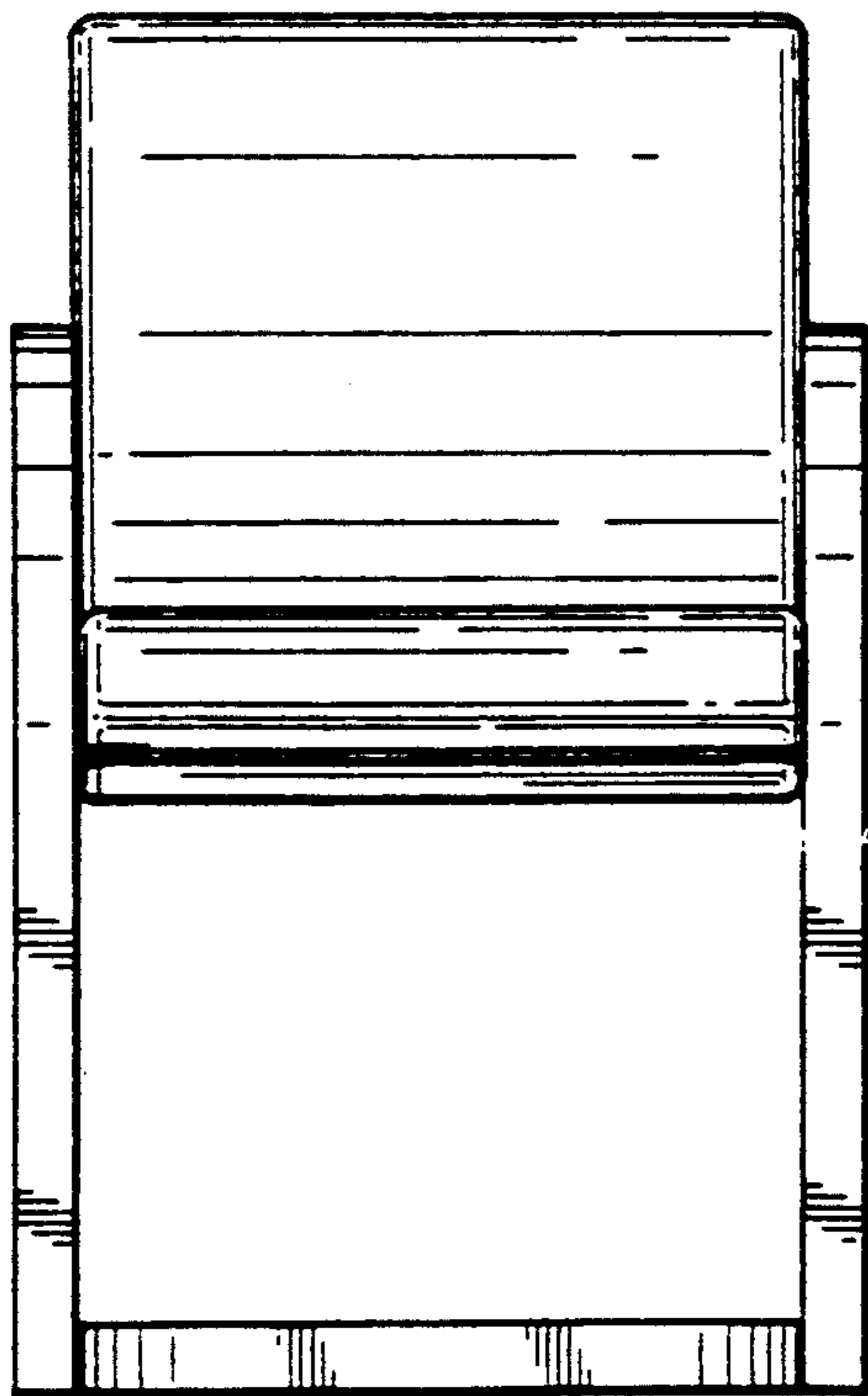


FIG. 10

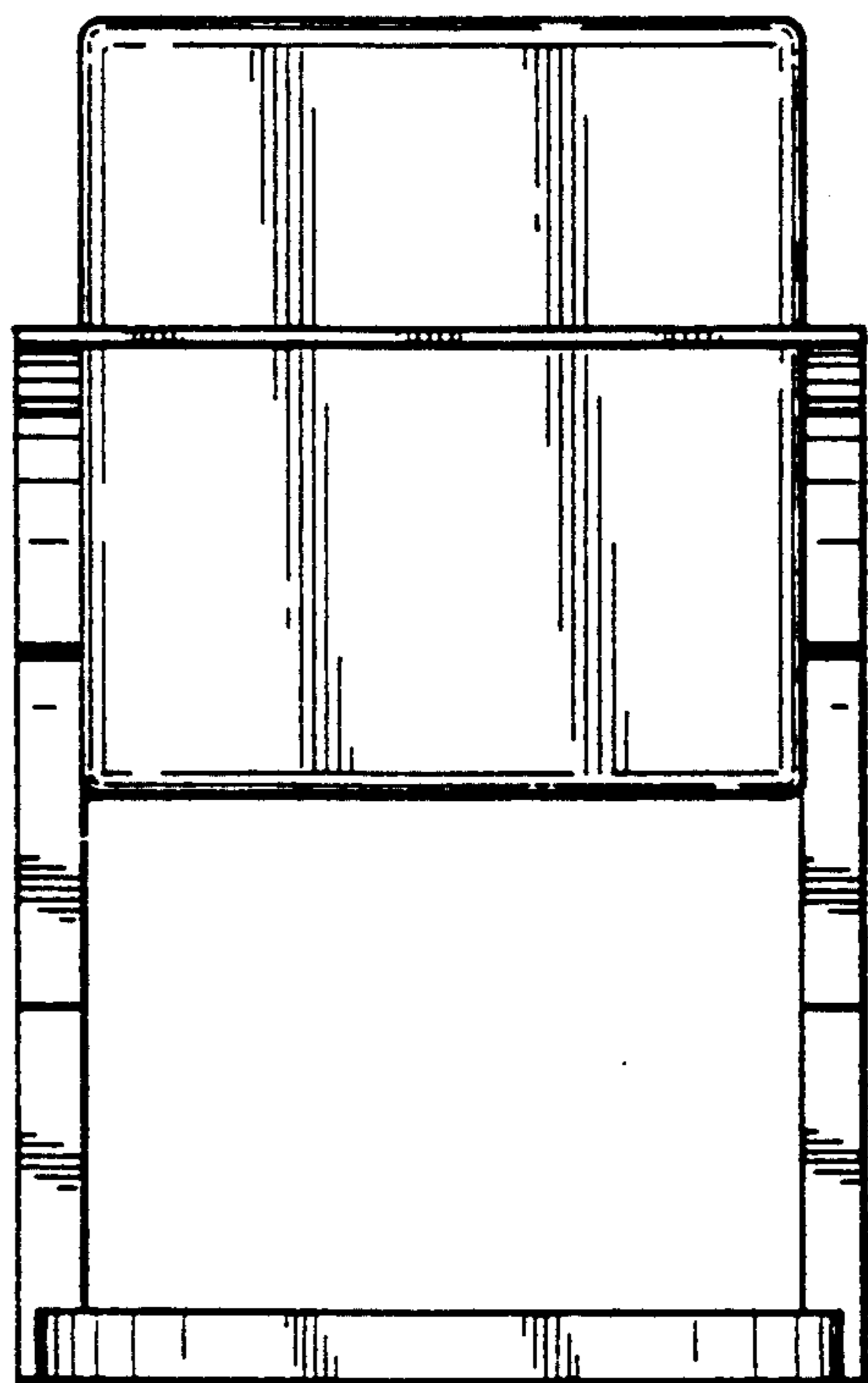


FIG. 11

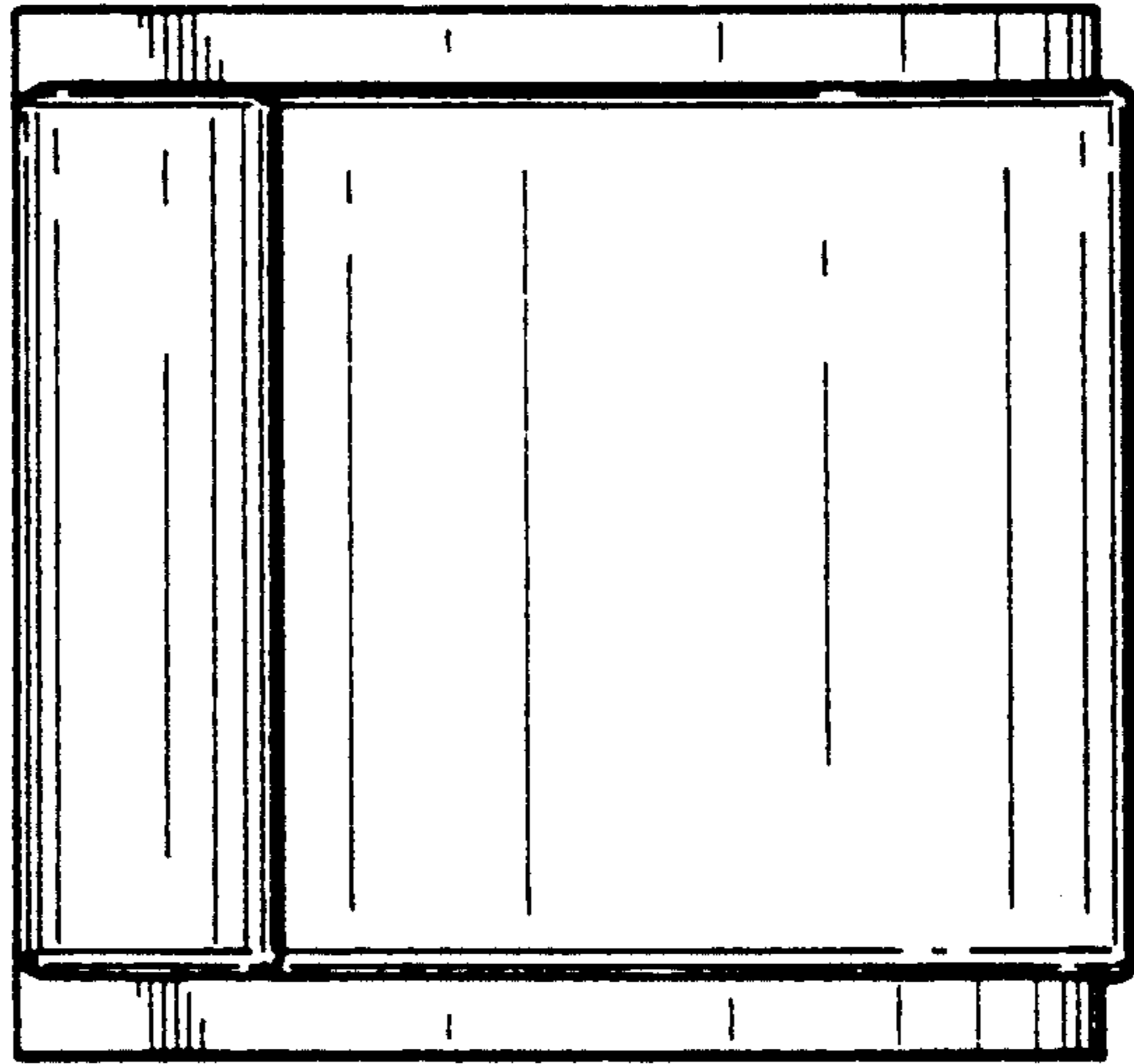


FIG. 12

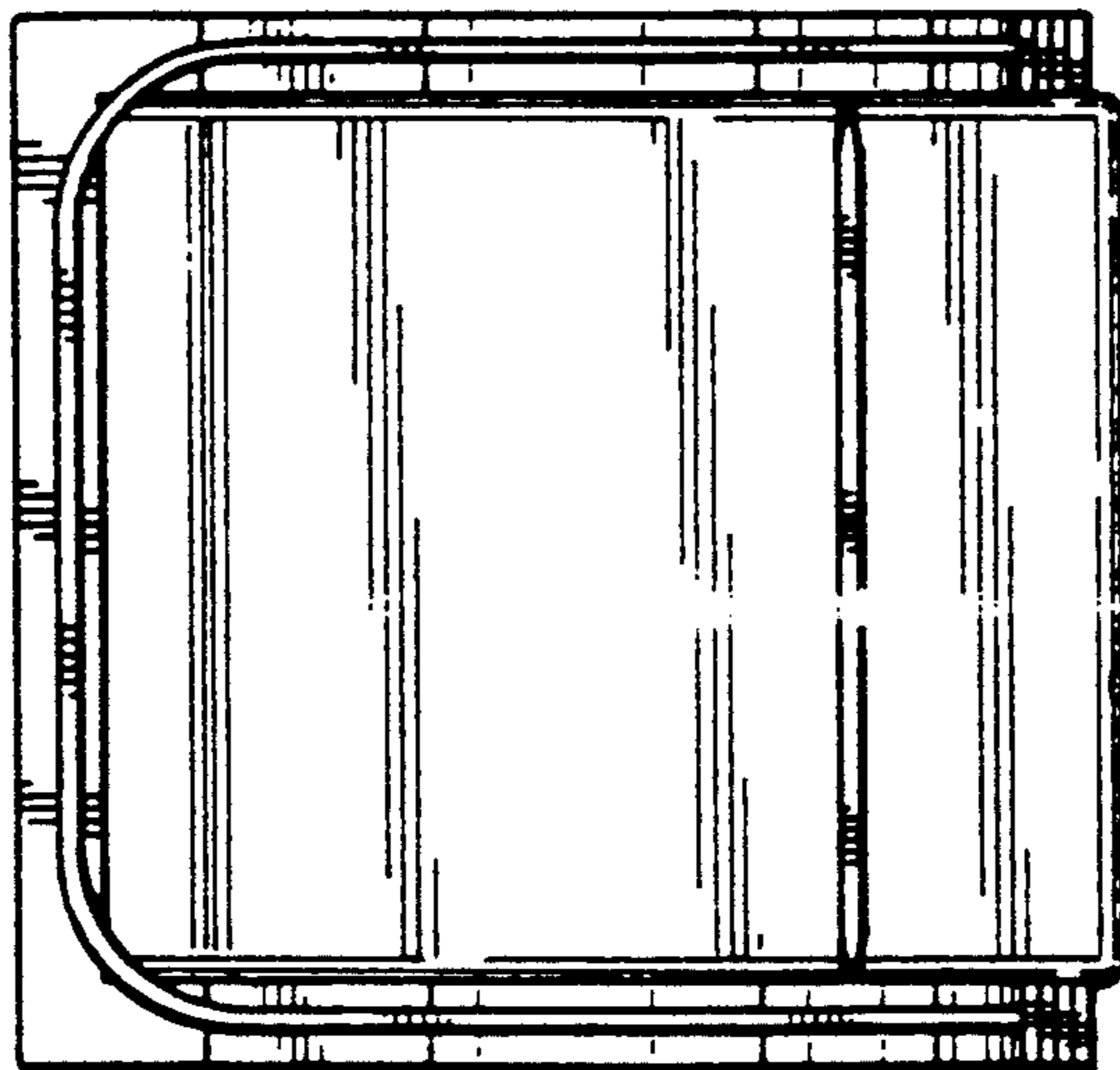
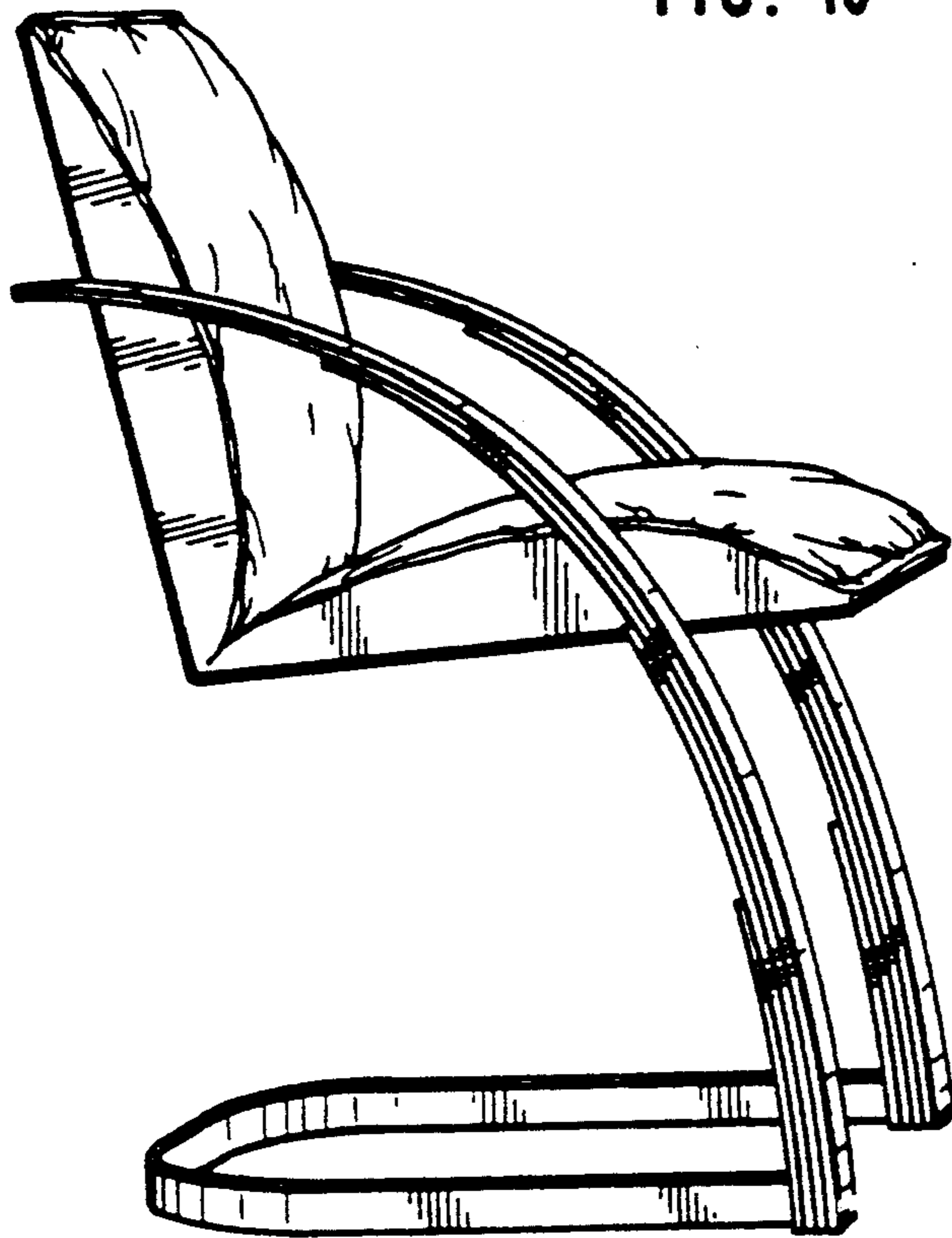


FIG. 13



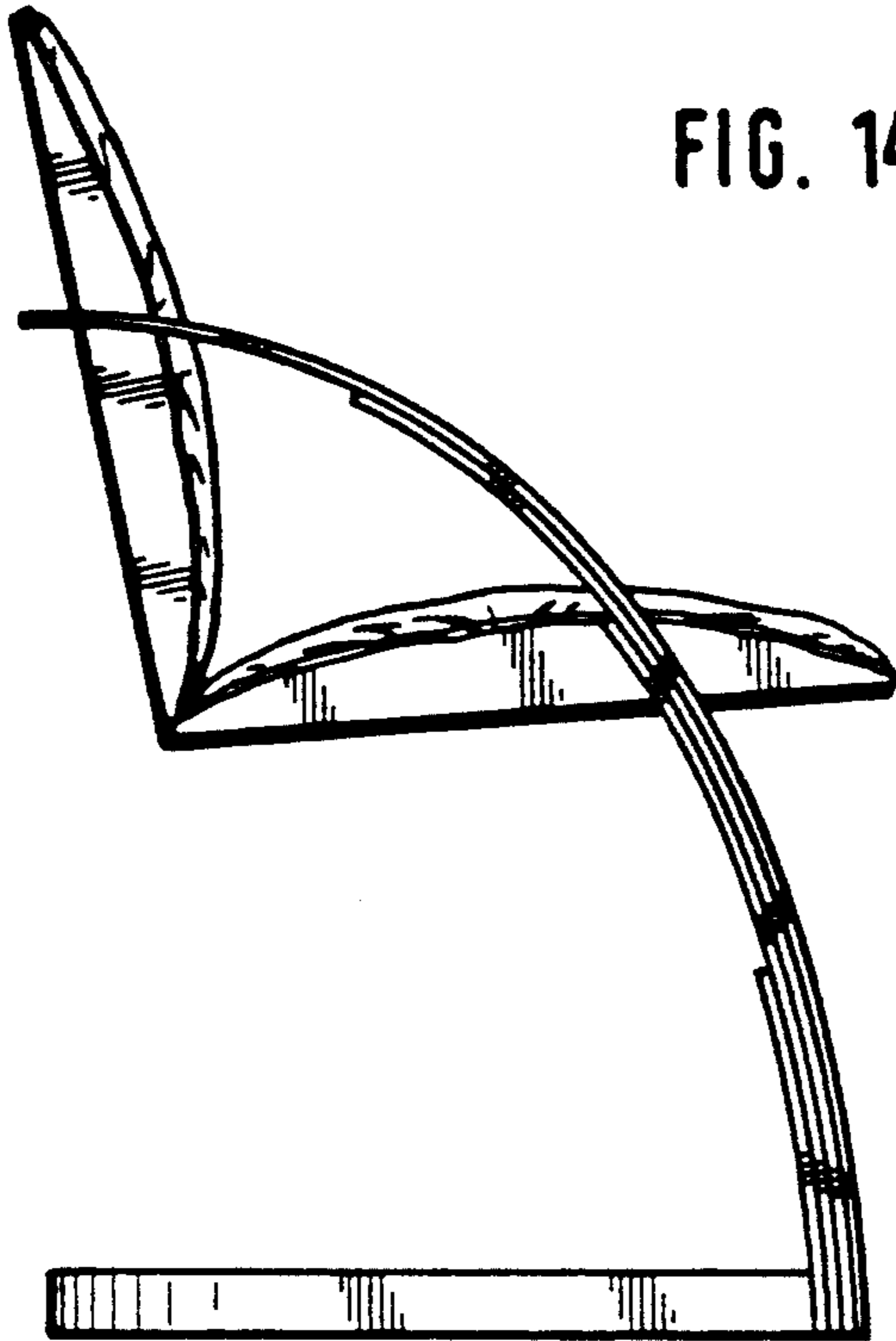


FIG. 14

FIG. 15

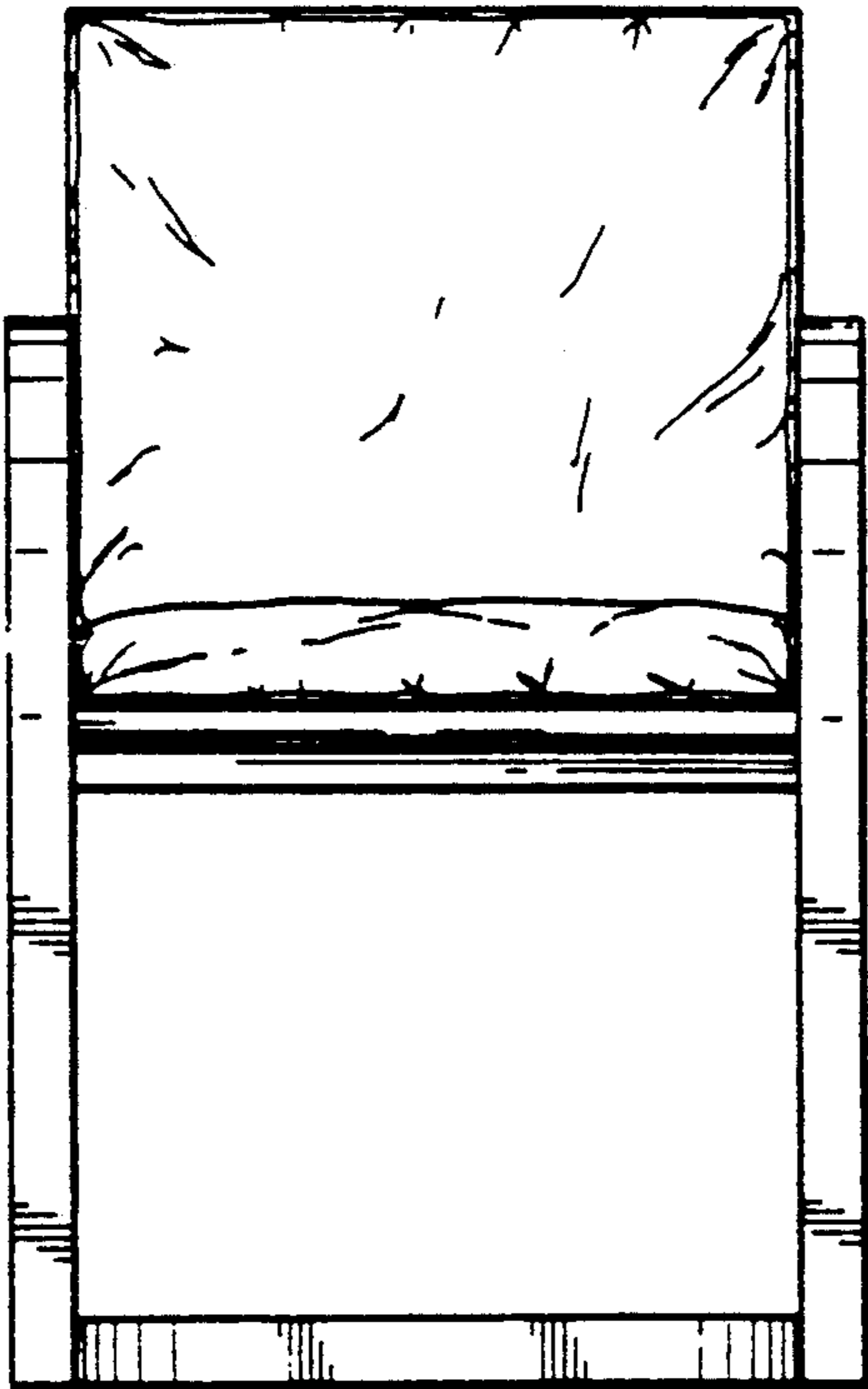


FIG. 16

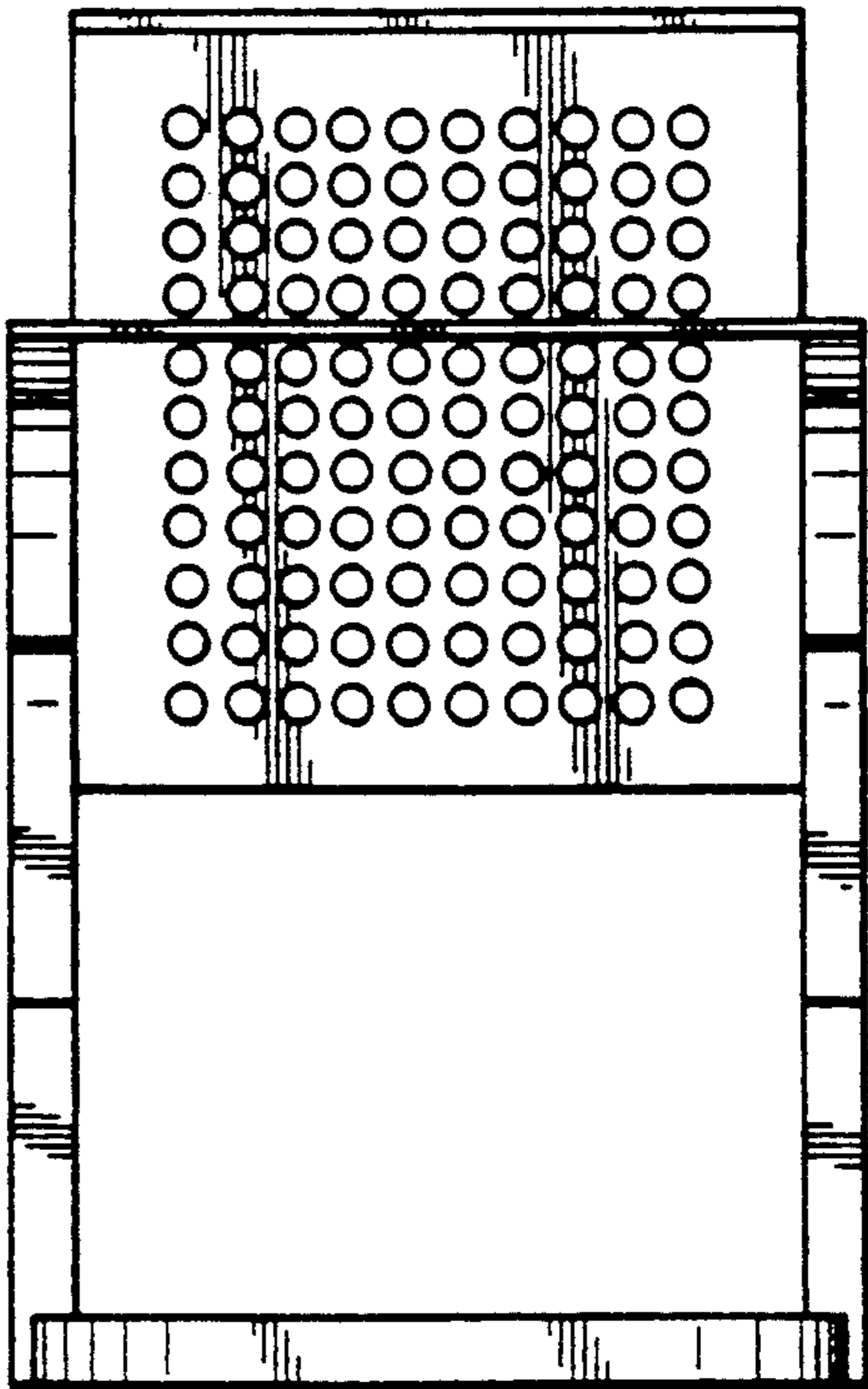


FIG. 17

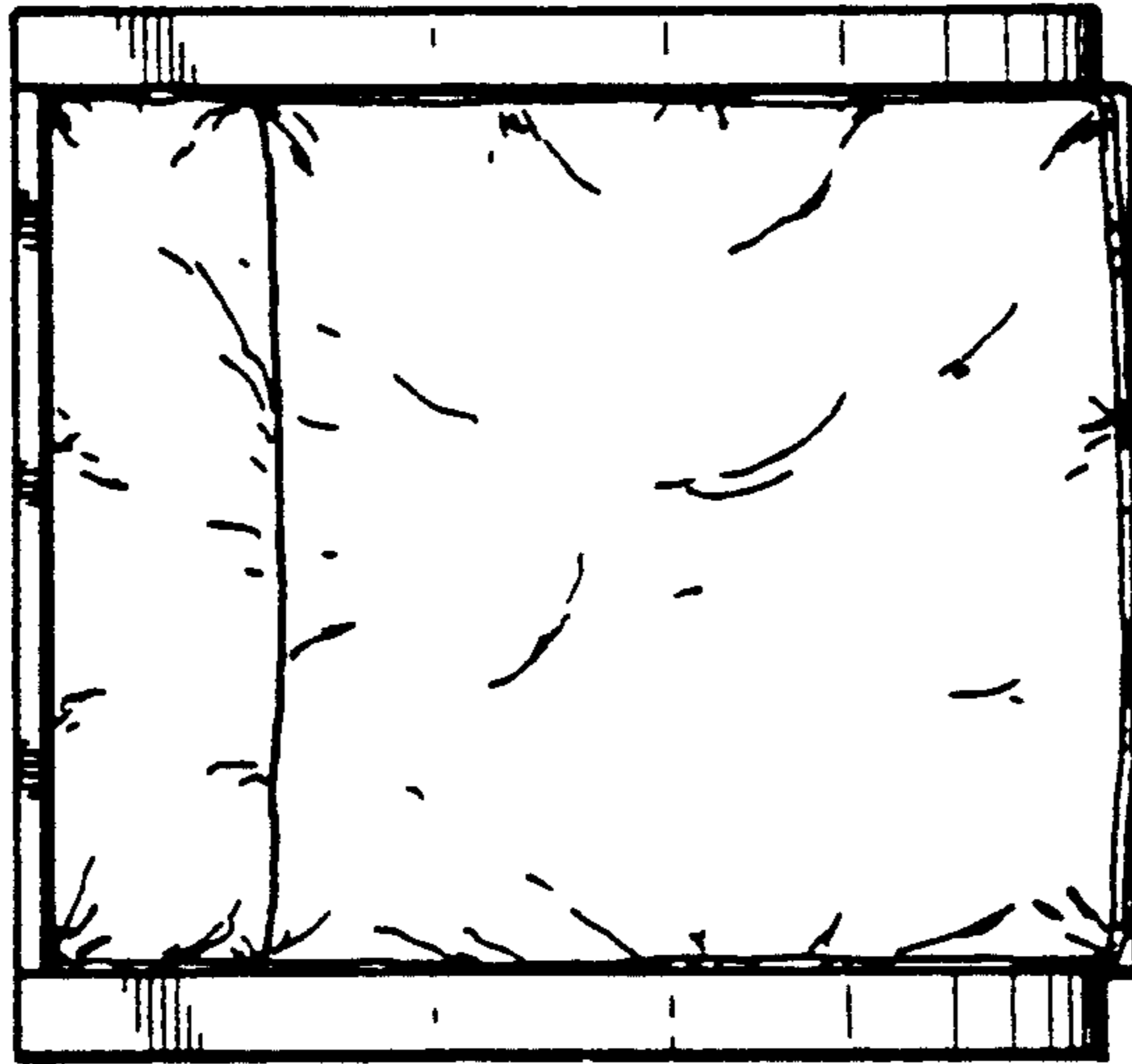


FIG. 18

