



US00D341488S

United States Patent [19]

[11] Patent Number: **Des. 341,488**

Walasek

[45] Date of Patent: **** Nov. 23, 1993**

[54] **ARM BAND WITH IDENTIFICATION HOLDER**

[75] Inventor: **Stanley Walasek, Shavertown, Pa.**

[73] Assignee: **Stuart Promotional Products, Inc., Nanticoke, Pa.**

[*] Notice: The portion of the term of this patent subsequent to Jul. 30, 2005 has been disclaimed.

[**] Term: **14 Years**

[21] Appl. No.: **663,648**

[22] Filed: **Mar. 4, 1991**

Related U.S. Application Data

[63] Continuation-in-part of Ser. No. 238,516, Aug. 31, 1988, abandoned.

[52] U.S. Cl. **D3/100; D3/106**

[58] Field of Search **D3/100, 106, 56; D20/22, 27; D10/109, 111; 224/221, 227, 219, 222**

[56] **References Cited**

U.S. PATENT DOCUMENTS

D. 218,002 7/1970 Cobbs D3/56

D. 236,444	8/1975	Nelson	D10/111
D. 265,861	8/1982	Walasek	D2/402
D. 318,570	7/1991	Walasek	D3/100 X
D. 320,307	10/1991	Walasek	D3/100 X
1,895,704	1/1933	Crosby	D20/22 X
1,972,480	9/1934	Gomi	224/28
2,203,155	6/1940	Jullien et al.	40/10
2,351,158	6/1944	Stelzer	224/5
3,586,220	6/1971	Reinsberg	224/221
4,415,106	11/1983	Connell et al.	224/221

FOREIGN PATENT DOCUMENTS

1515632 1/1968 France D3/106 X

Primary Examiner—A. Hugo Word

Assistant Examiner—Doris V. Coles

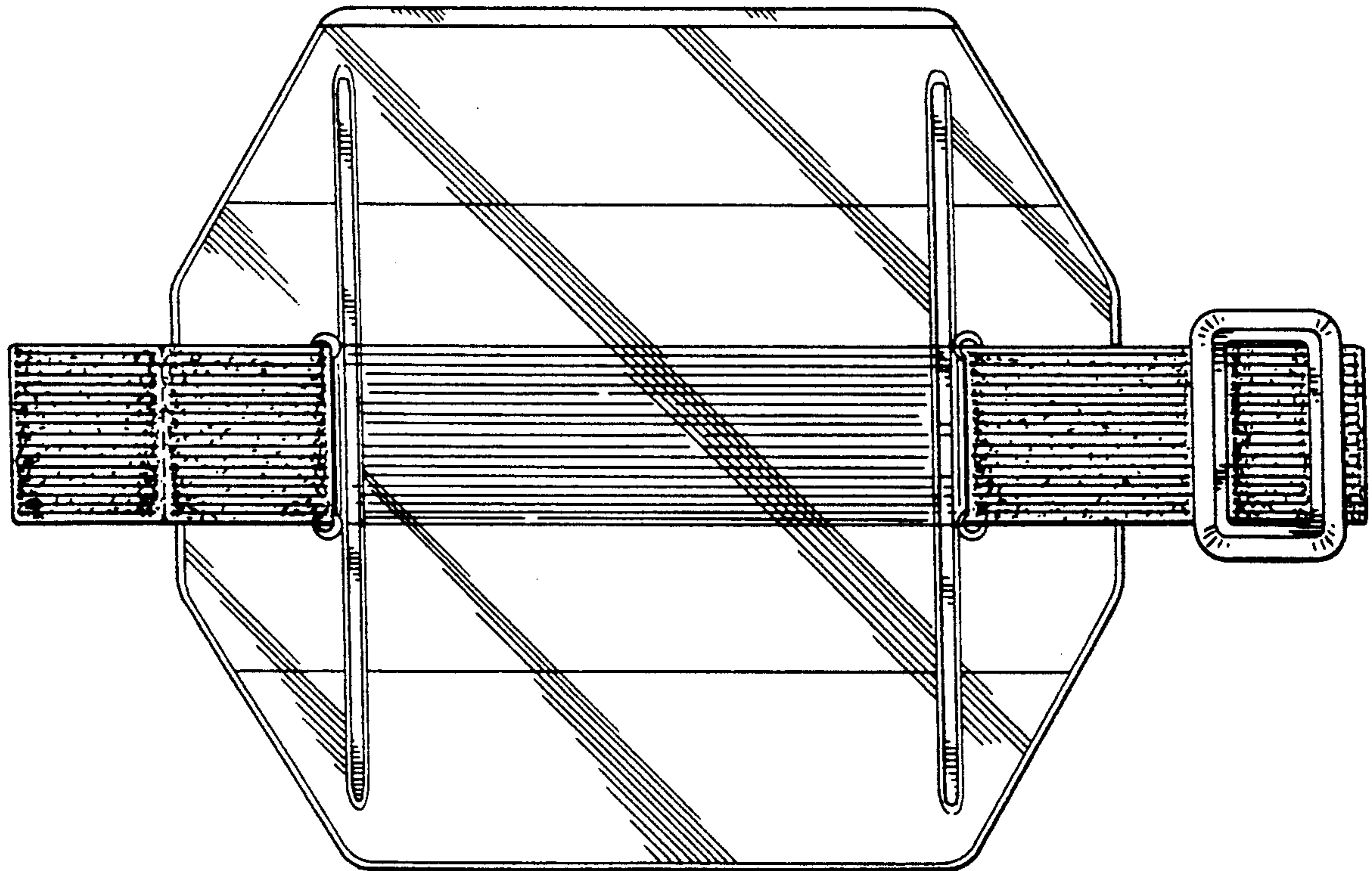
Attorney, Agent, or Firm—Joseph Scafetta, Jr.

[57] **CLAIM**

The ornamental design for an arm band with identification holder, as shown and described.

DESCRIPTION

FIG. 1 is a front elevational view of an arm band with an identification holder, showing my new design; FIG. 2 is a rear elevational view thereof; FIG. 3 is a top plan view thereof, the bottom plan view being a mirror image thereof; FIG. 4 is a right side elevational view thereof; and, FIG. 5 is a left side elevational view thereof.



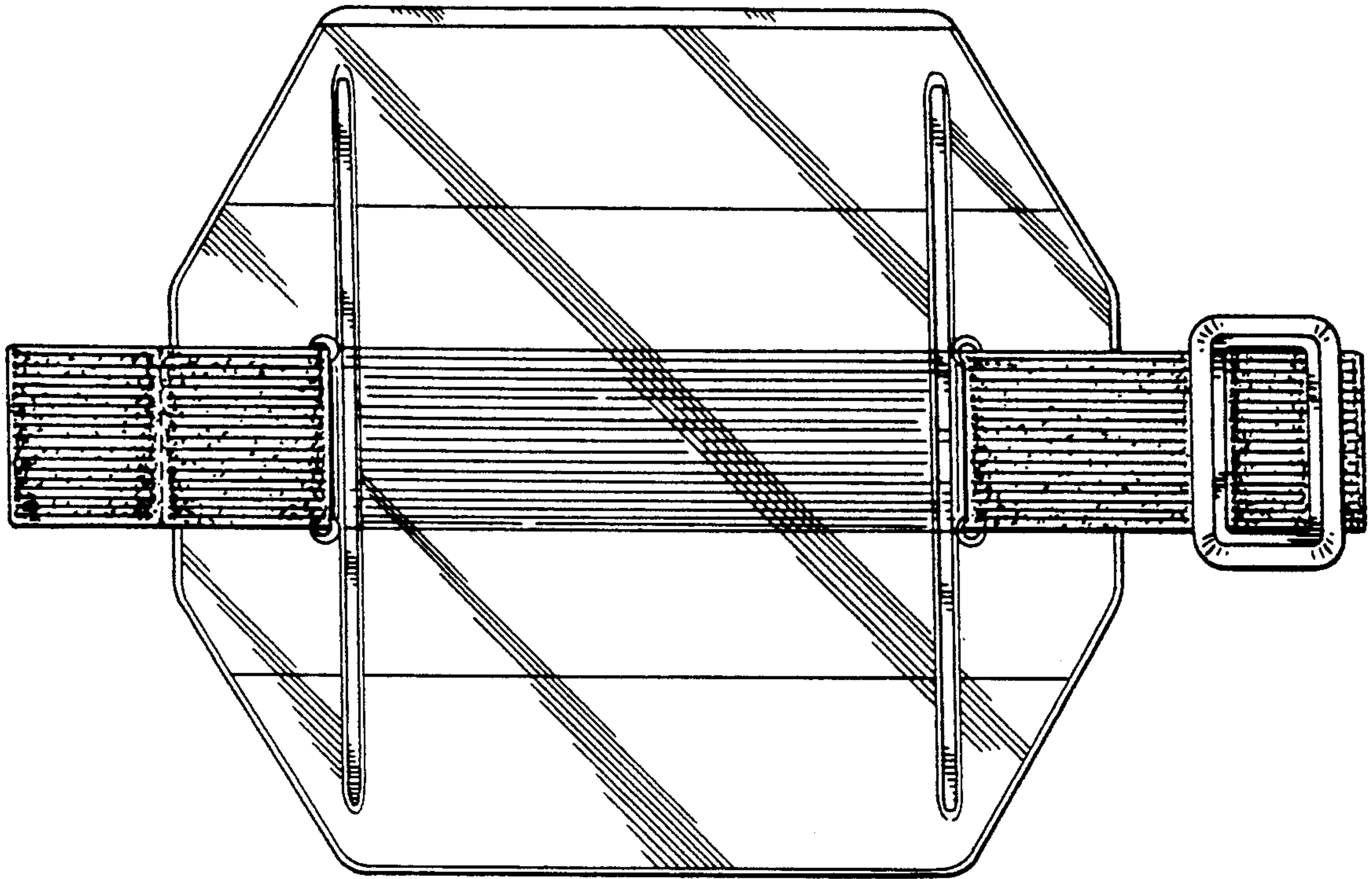


Fig. 1

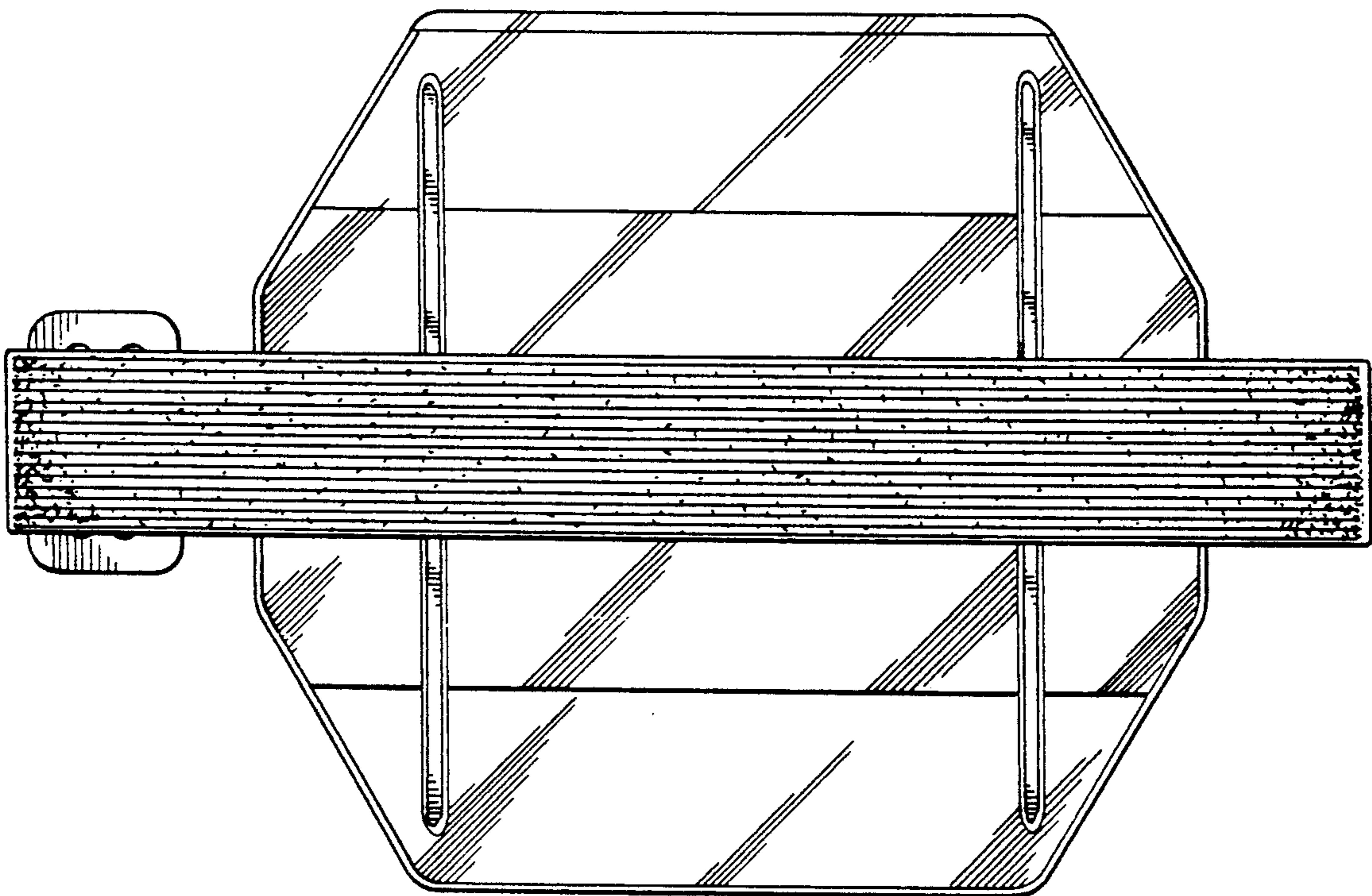


Fig. 2

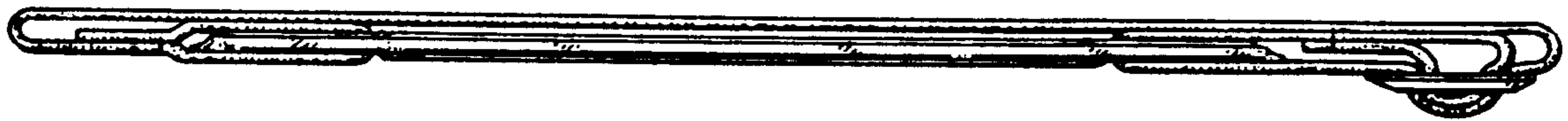


Fig. 3



Fig. 4



Fig. 5