



US00D341487S

# United States Patent [19] Glos, II

[11] Patent Number: **Des. 341,487**

[45] Date of Patent: **\*\* Nov. 23, 1993**

[54] **EQUIPMENT CASE**

[75] Inventor: **Edmond A. Glos, II, Casselberry, Fla.**

[73] Assignee: **Access Unlimited, L.C., Maitland, Fla.**

[\*\*] Term: **14 Years**

[21] Appl. No.: **806,419**

[22] Filed: **Dec. 13, 1991**

[52] U.S. Cl. .... **D3/74**

[58] Field of Search ..... **D3/74, 76, 39, 30.1, D3/78; 206/581, 305; 190/18 A, 115, 121, 119, 120, 900, 901, 902, 903; D18/54, 13; D14/106, 100, 111**

2,209,781 7/1940 Lewis ..... 206/581 X  
 3,177,991 4/1965 Walker ..... D3/76 X  
 3,605,961 8/1969 Marrion ..... 190/120

*Primary Examiner*—B. J. Bullock  
*Assistant Examiner*—Paula Mortimer  
*Attorney, Agent, or Firm*—William M. Hobby, III

### [57] CLAIM

The ornamental design for an equipment case, as shown and described.

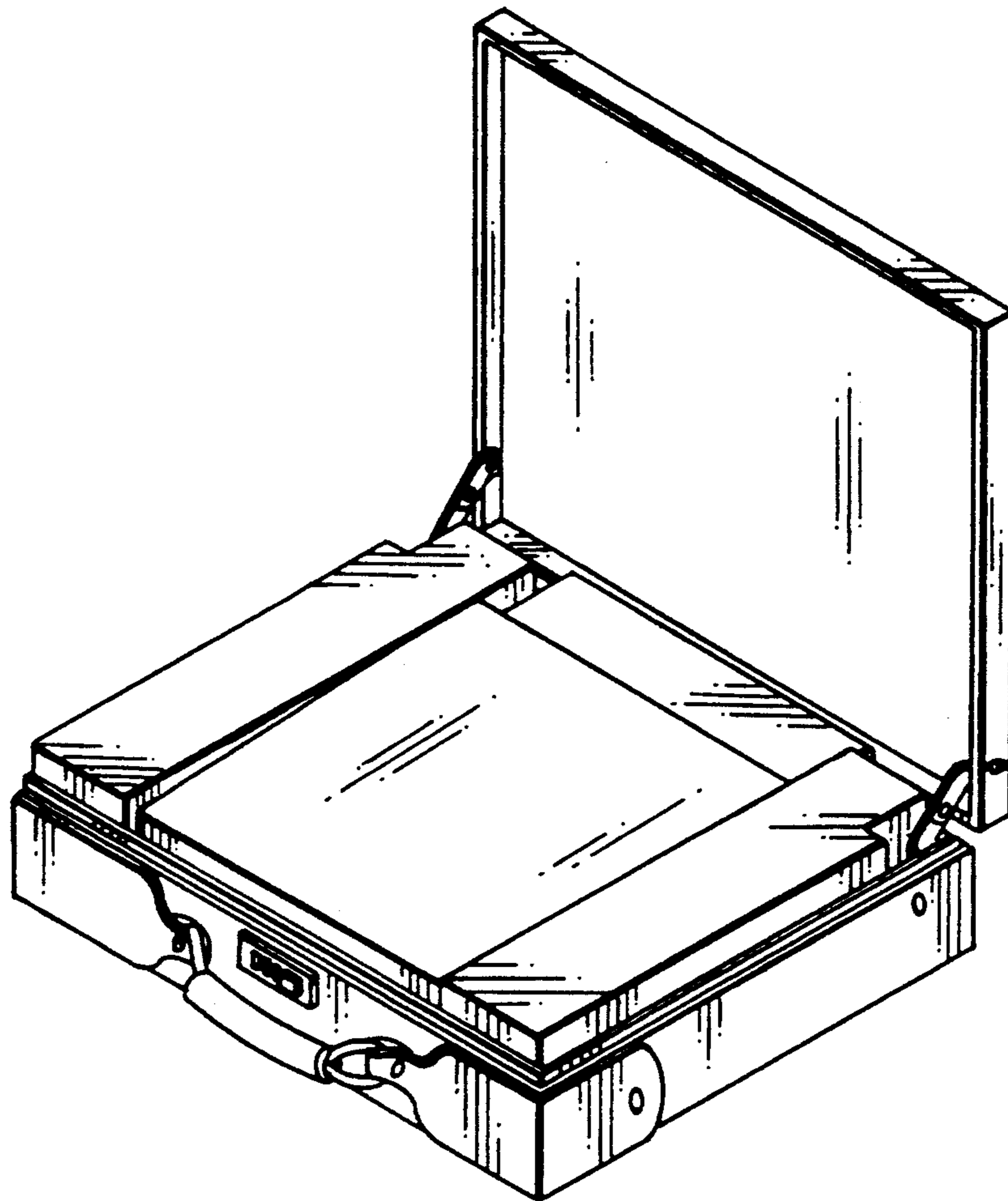
### DESCRIPTION

FIG. 1 is a top side perspective view of my new equipment case;  
 FIG. 2 is a rear end elevation;  
 FIG. 3 is a bottom side elevation;  
 FIG. 4 is a top side perspective view of the open case; and,  
 FIG. 5 is a top side perspective view of the open case and screen.  
 The broken line showing of the wavy lines in FIG. 5 is for illustrative purposes only and forms no part of the claimed design.

[56] **References Cited**

**U.S. PATENT DOCUMENTS**

D. 198,662 7/1964 O'Neil ..... D3/76  
 D. 238,402 1/1976 Gorky ..... D3/30.1  
 1,495,046 5/1924 Spiegel ..... 206/581 X  
 1,752,948 4/1930 Herrmann ..... 206/581 X



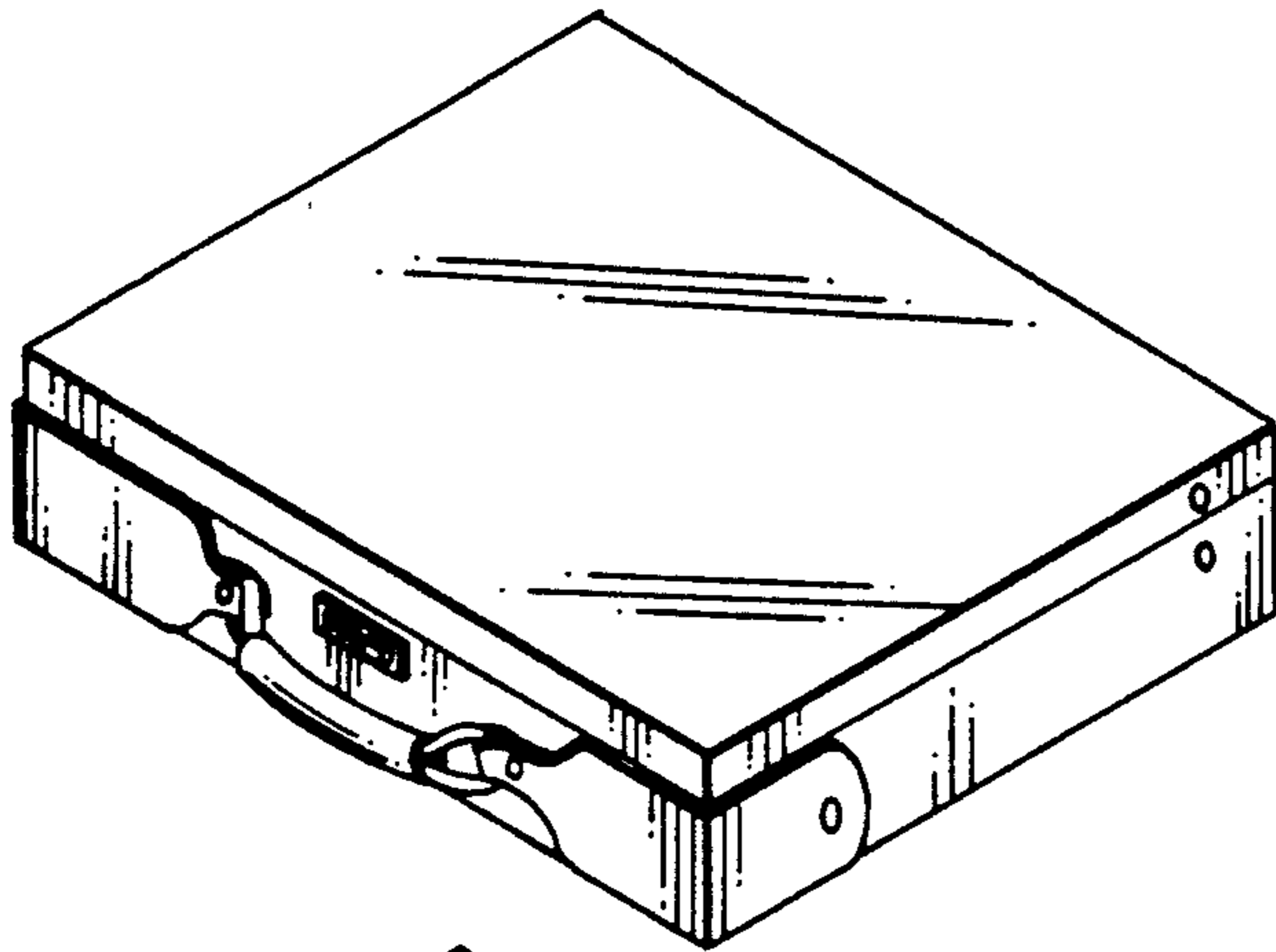


FIG. 1



FIG. 2

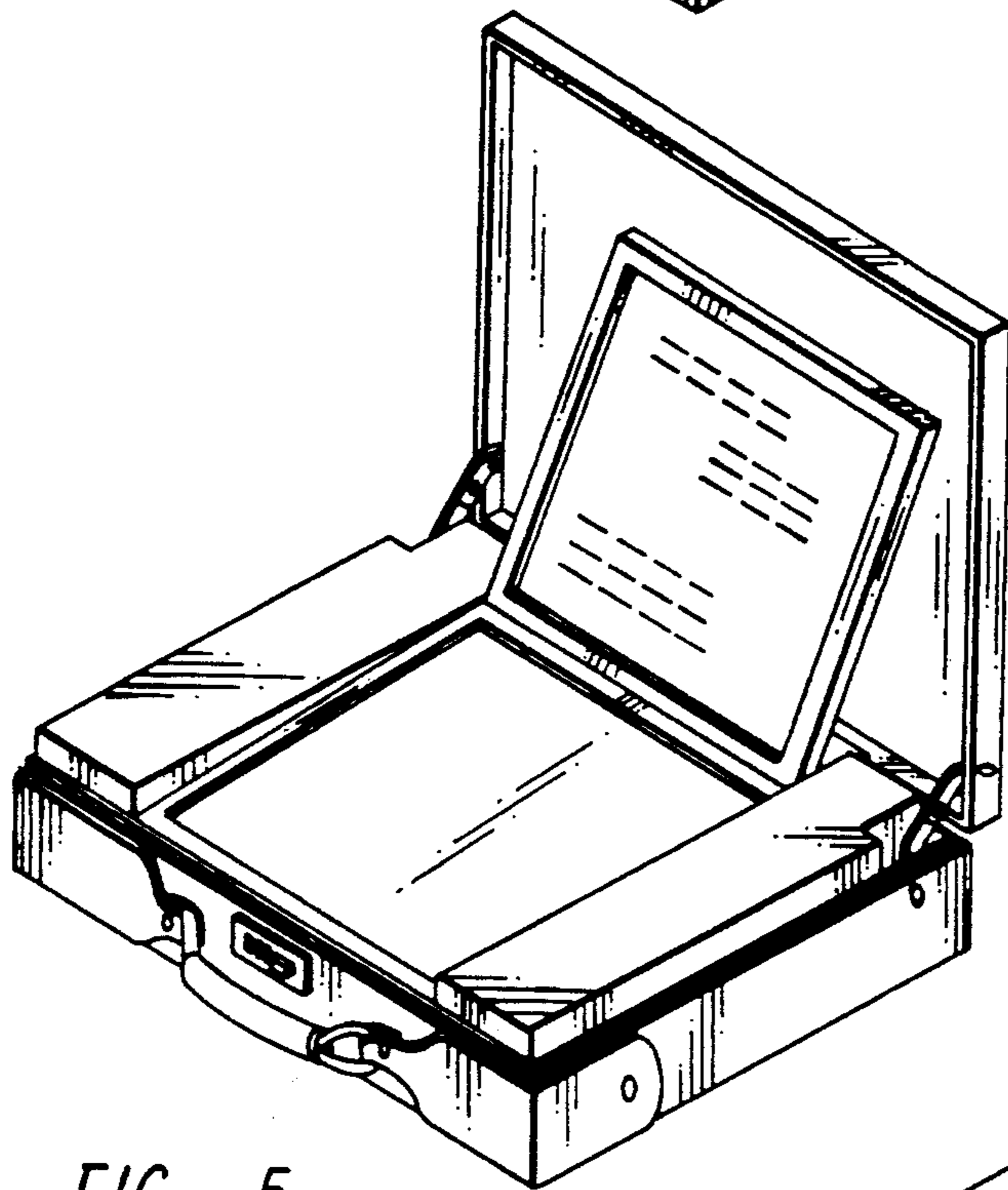


FIG. 5

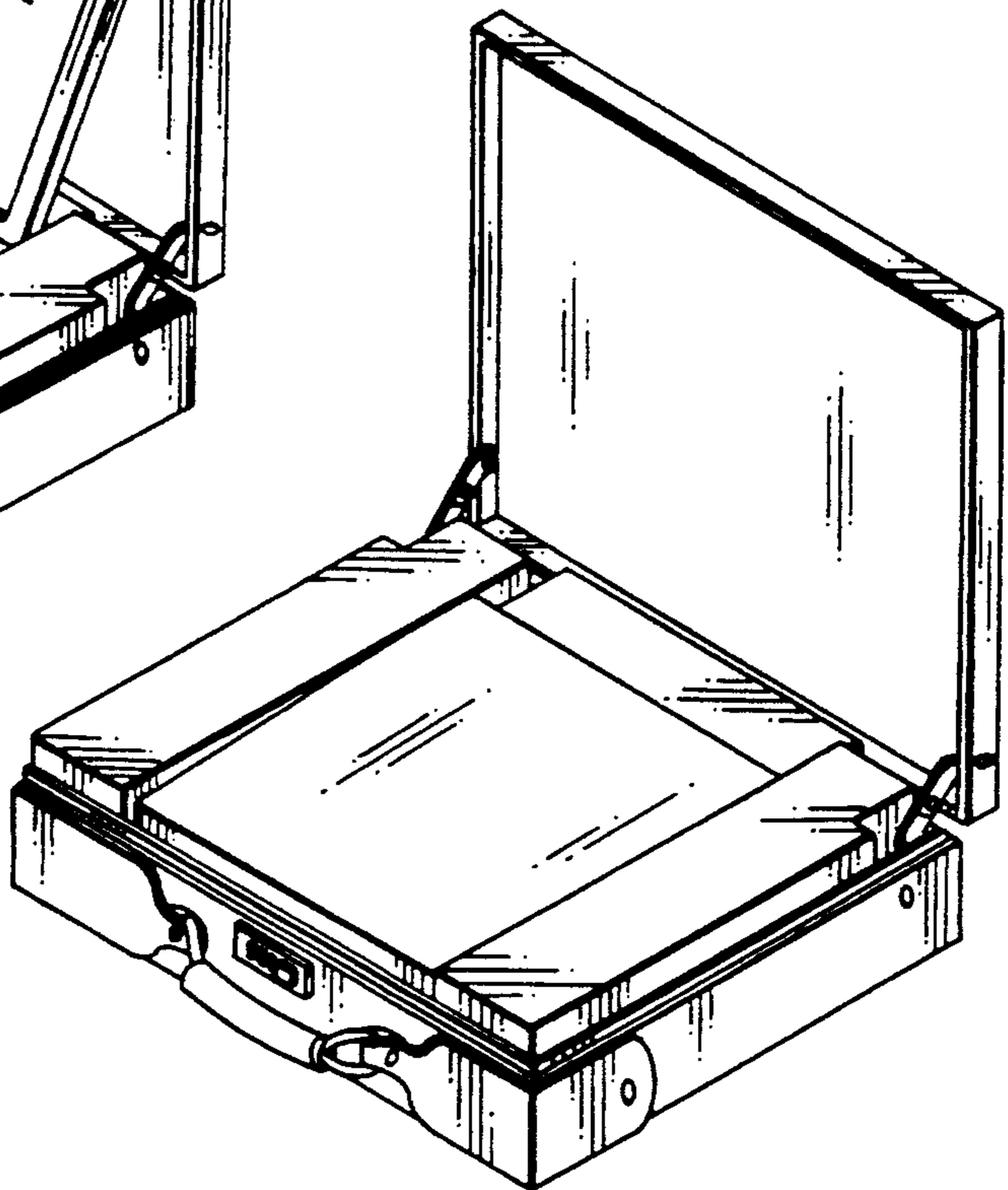


FIG. 4

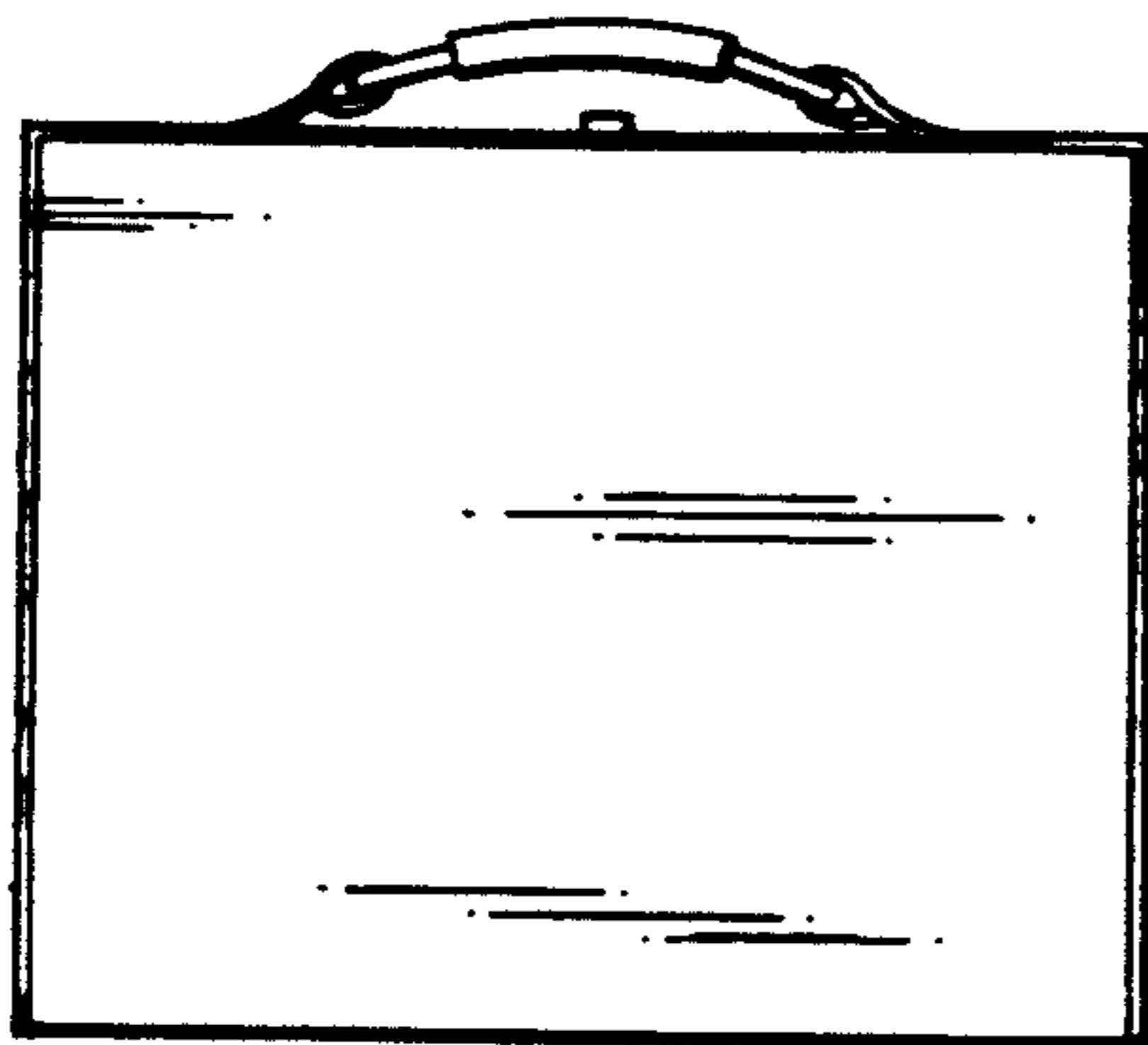


FIG. 3