



US00D341484S

United States Patent [19]

[11] Patent Number: **Des. 341,484**

Van Houton

[45] Date of Patent: **** Nov. 23, 1993**

[54] **FLOPPY DISK FILE**

[76] Inventor: **Boz Van Houton**, P.O. Box 1812,
Eugene, Oreg. 97440-1812

[**] Term: **14 Years**

[21] Appl. No.: **583,717**

[22] Filed: **Sep. 17, 1990**

[52] U.S. Cl. **D3/35; D3/74;**
D19/75

[58] Field of Search **D3/30.1, 35, 66, 74;**
D6/407; D9/340, 341; D19/75, 76; D34/45,
46; 206/309-313, 387, 444, 564; 211/40; 312/8,
19, 183

3,601,249	8/1971	Larsen	206/1 R
3,692,376	9/1972	McKinsey et al.	312/11
3,797,777	3/1974	Hosono et al.	206/387
4,221,440	9/1980	Morgan	206/387
4,253,789	3/1981	Hultgren	414/405
4,335,989	6/1982	Hultgren	414/405
4,826,261	5/1989	Nademlejsky	312/11

Primary Examiner—A. Hugo Word
Assistant Examiner—Celia A. Murphy
Attorney, Agent, or Firm—James D. Givnan, Jr.

[57] CLAIM

The ornamental design for a floppy disk file, as shown and described.

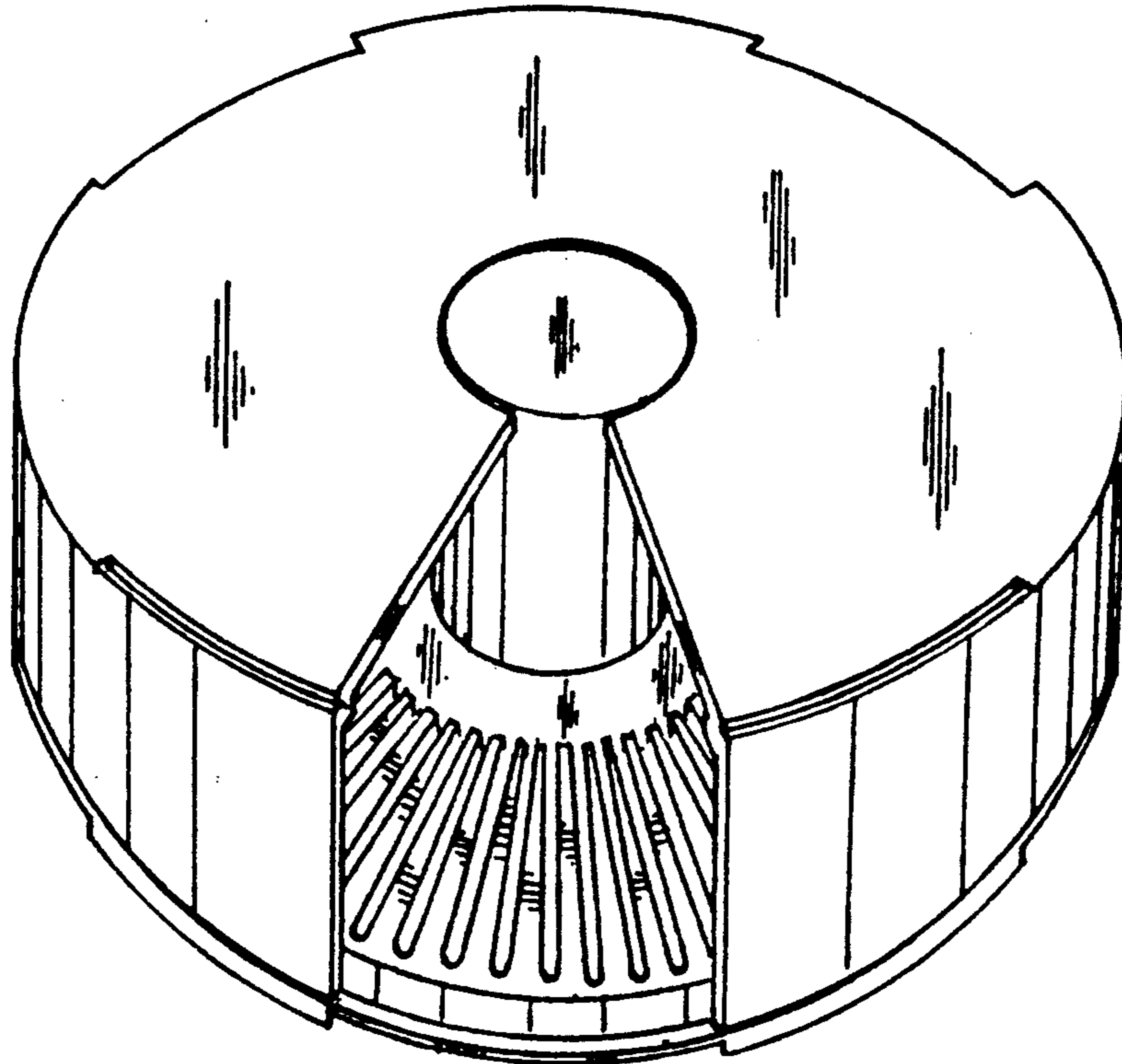
DESCRIPTION

FIG. 1 is a front elevational view of a floppy disk file showing my new design;
FIG. 2 is a top plan view thereof;
FIG. 3 is a reduced right side elevational view thereof;
FIG. 4 is a further reduced bottom plan view thereof;
FIG. 5 is a top perspective view of FIG. 3; and,
FIG. 6 is a bottom plan view of FIG. 3.

[56] References Cited

U.S. PATENT DOCUMENTS

D. 210,295	2/1968	Tren	D6/407
D. 222,068	9/1971	White	D3/35
D. 277,905	3/1985	Barber	D3/35
D. 289,107	4/1987	McAlhany	D3/35
D. 311,027	10/1990	Yuen	D19/75



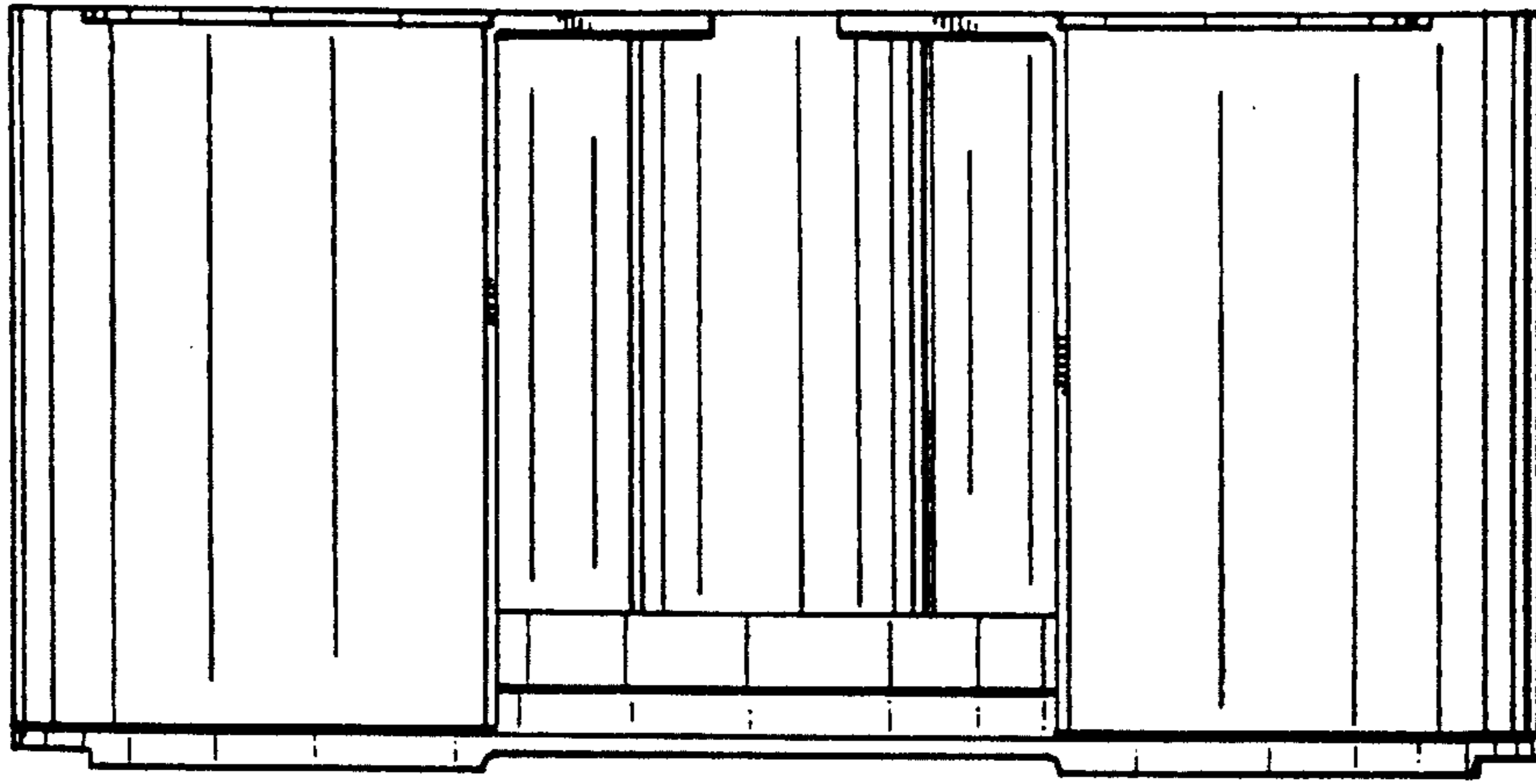


FIG. 1

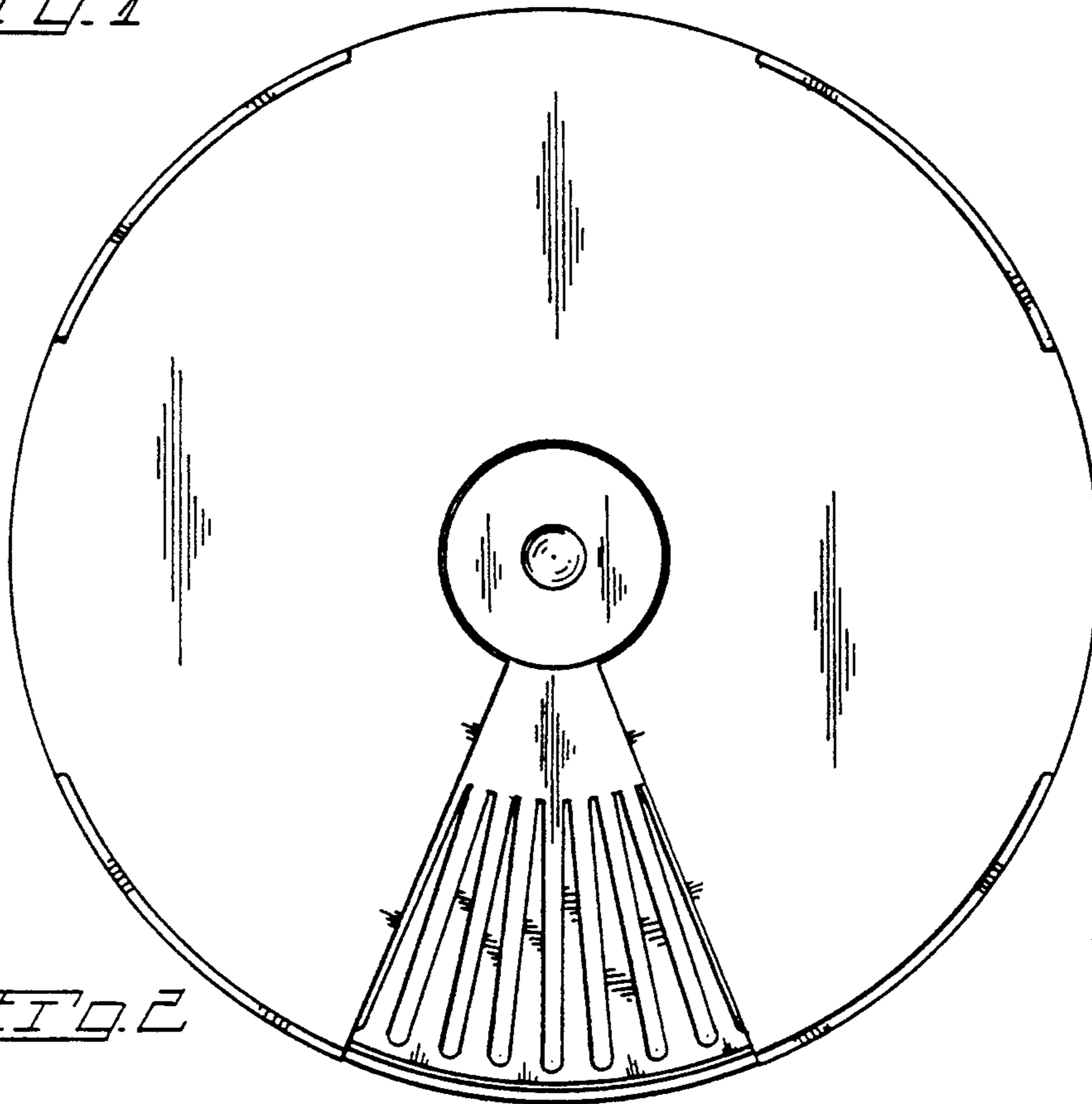


FIG. 2

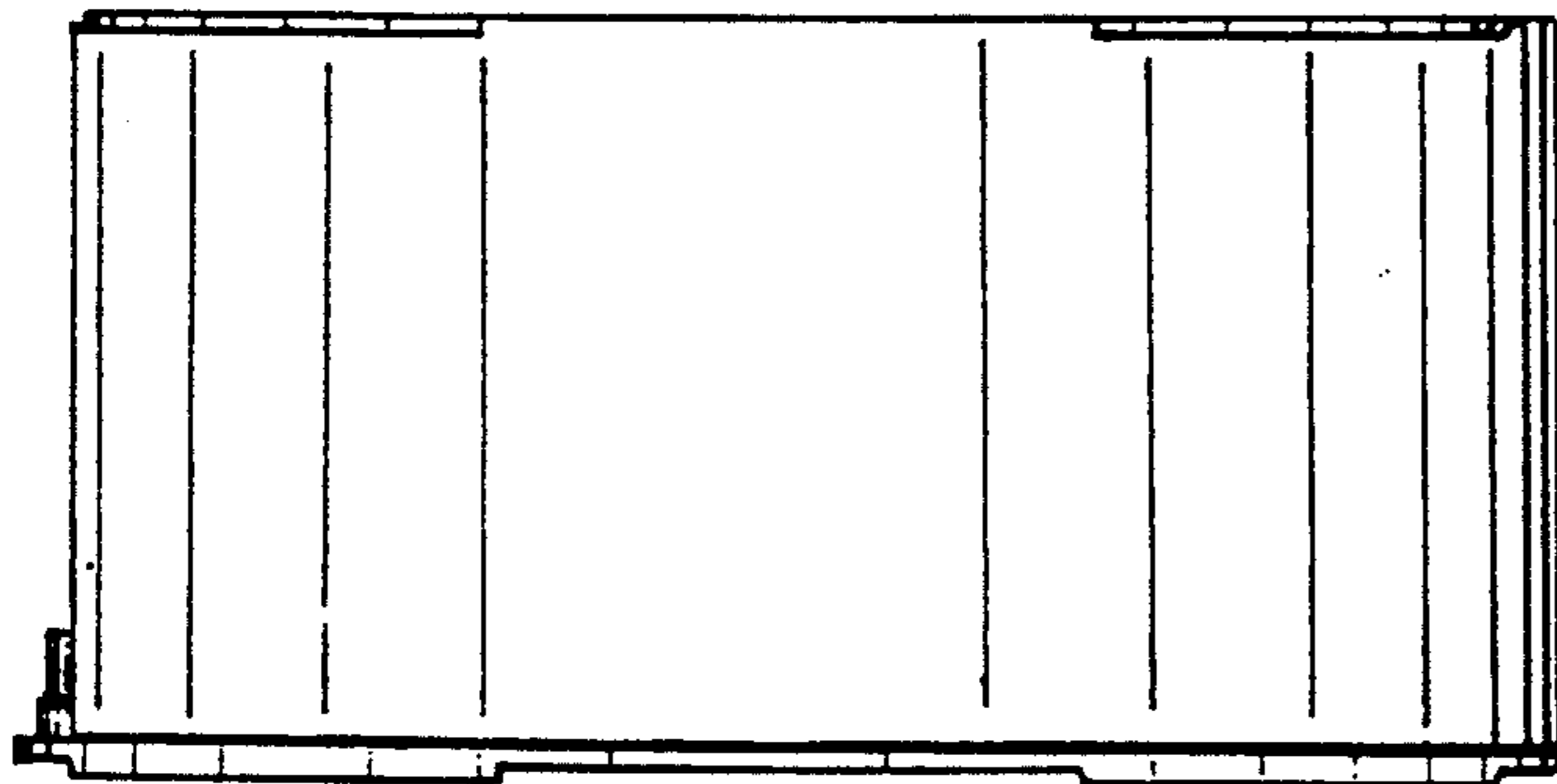


FIG. 3

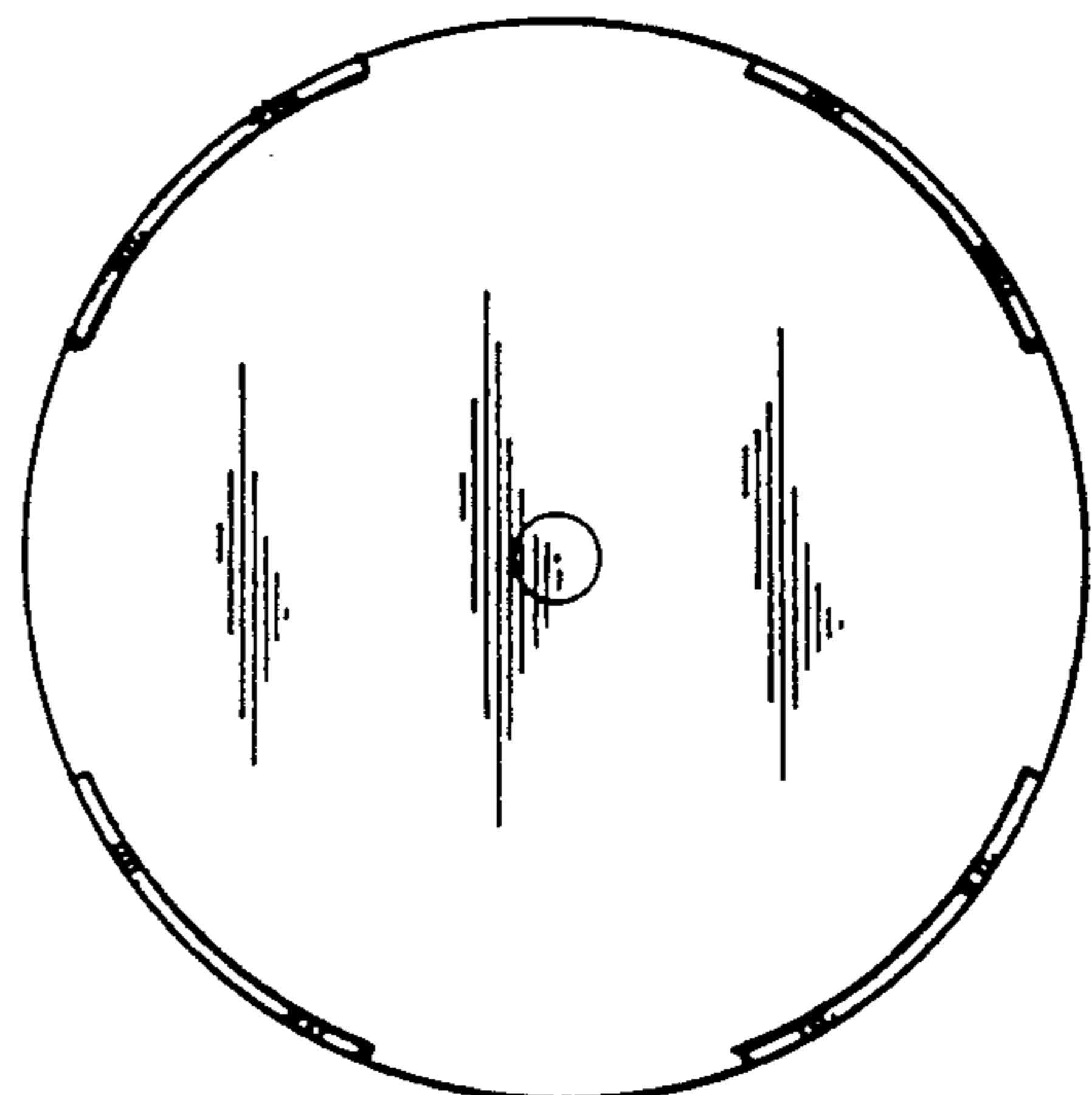


FIG. 4

