



US00D341479S

United States Patent [19]

[11] Patent Number: **Des. 341,479**

Saito et al.

[45] Date of Patent: **** Nov. 23, 1993**

[54] **SPIKE FOR A SHOE**

D. 198,123 5/1964 Grant D2/314
D. 320,882 10/1991 Collins D2/314
3,859,739 1/1975 Dassler 36/67 D

[75] Inventors: **Kiyohiro Saito; Yoshiyuki Murakami,**
both of Akashi, Japan

Primary Examiner—Louis S. Zarfaz
Attorney, Agent, or Firm—Nixon & Vanderhye

[73] Assignee: **Asics Corporation, Hyogo, Japan**

[**] Term: **14 Years**

[57] **CLAIM**

[21] Appl. No.: **810,938**

The ornamental design for a spike for a shoe, as shown and described.

[22] Filed: **Dec. 20, 1991**

DESCRIPTION

[30] **Foreign Application Priority Data**

Jun. 28, 1991 [JP] Japan 3-19466

FIG. 1 is an illustrative view in a position of use. The broken line showing of the shoe in FIG. 1 is for illustrative purposes only and forms no part of the claimed design;

[52] U.S. Cl. **D2/314; D2/317**

[58] Field of Search D2/311, 314, 317;
D30/147-150; 36/59 A, 67 D, 67 R-67 B, 134

FIG. 2 is a front elevational view thereof;

FIG. 3 is a rear elevational view thereof;

FIG. 4 is a top plan view thereof;

FIG. 5 is a bottom plan view thereof;

FIG. 6 is a left side elevational view thereof;

FIG. 7 is a right side elevational view thereof; and,

FIG. 8 is a perspective view thereof.

[56] **References Cited**

U.S. PATENT DOCUMENTS

D. 26,587 2/1897 Rowe D2/314 X

D. 35,330 11/1901 Whitaker D2/317 X

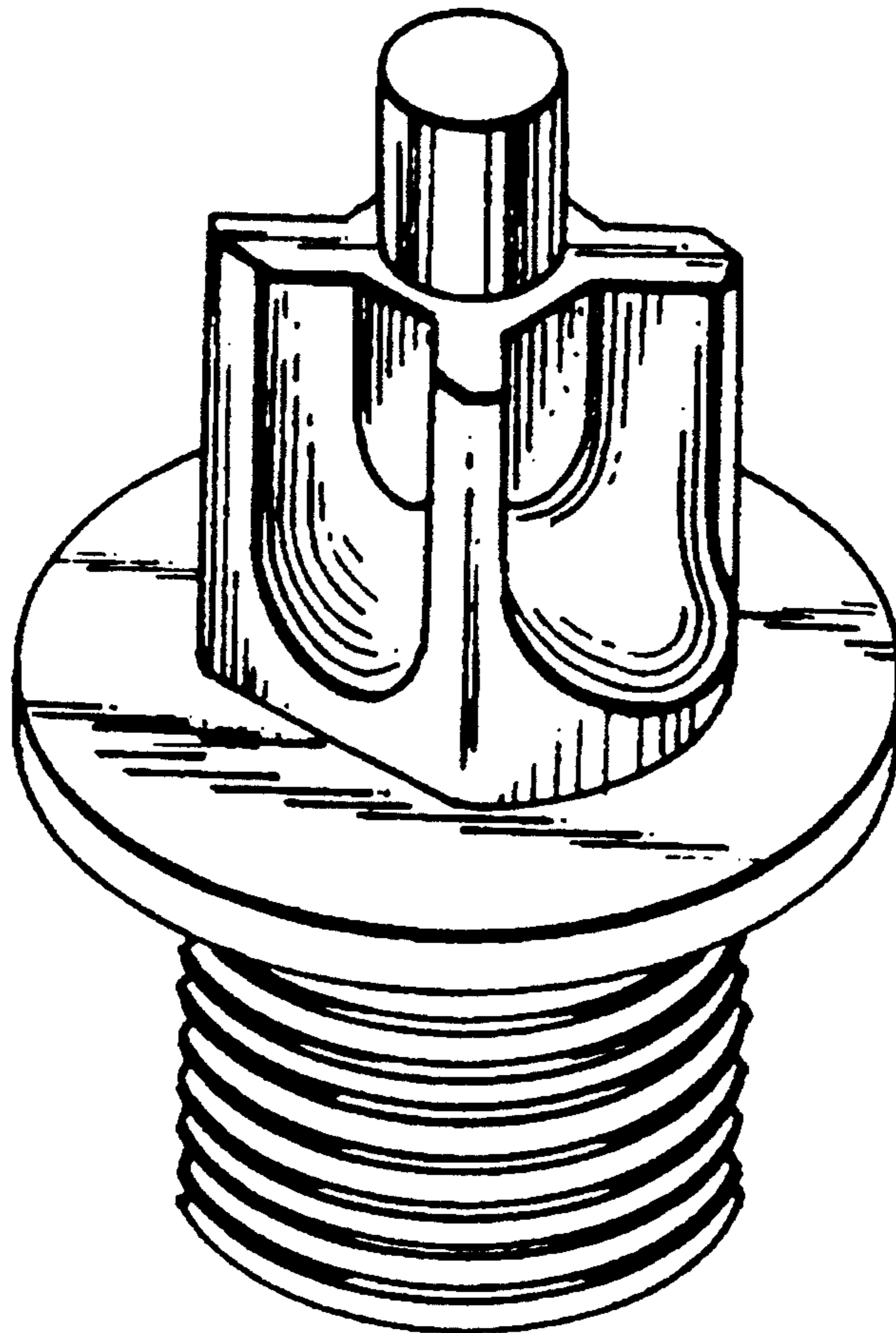


Fig. 1

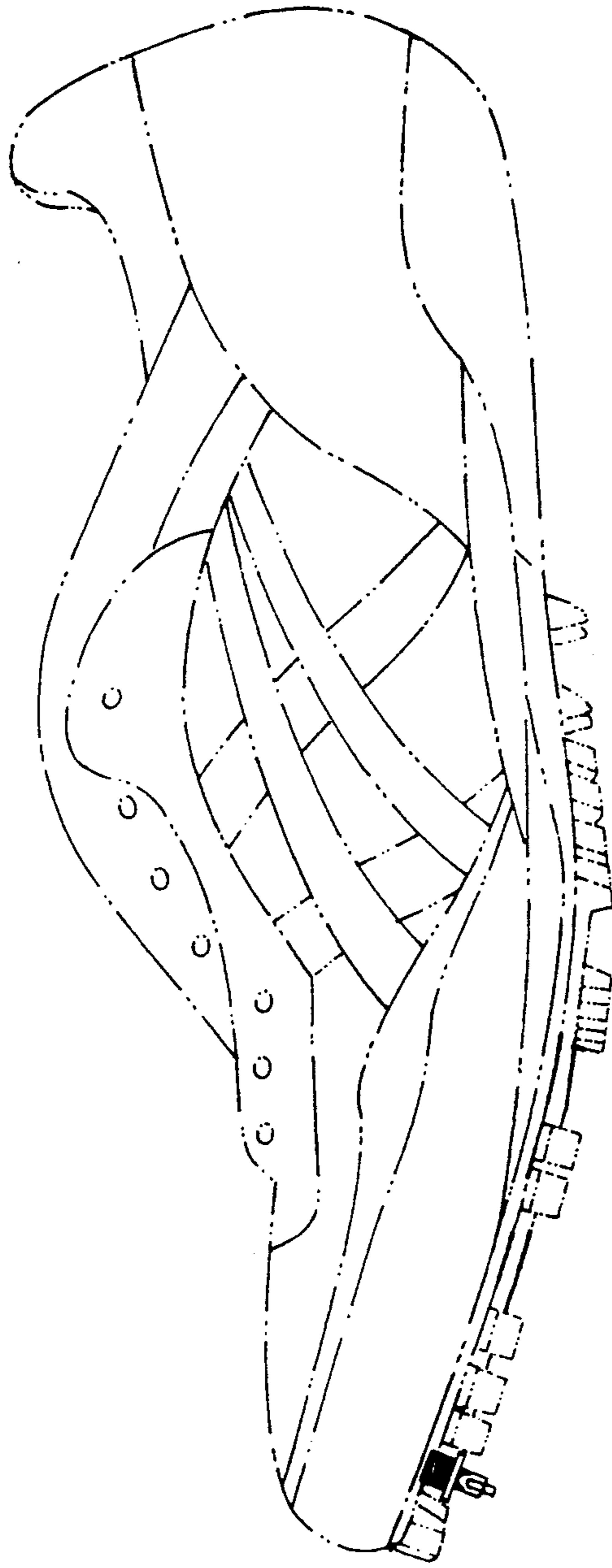


Fig. 2

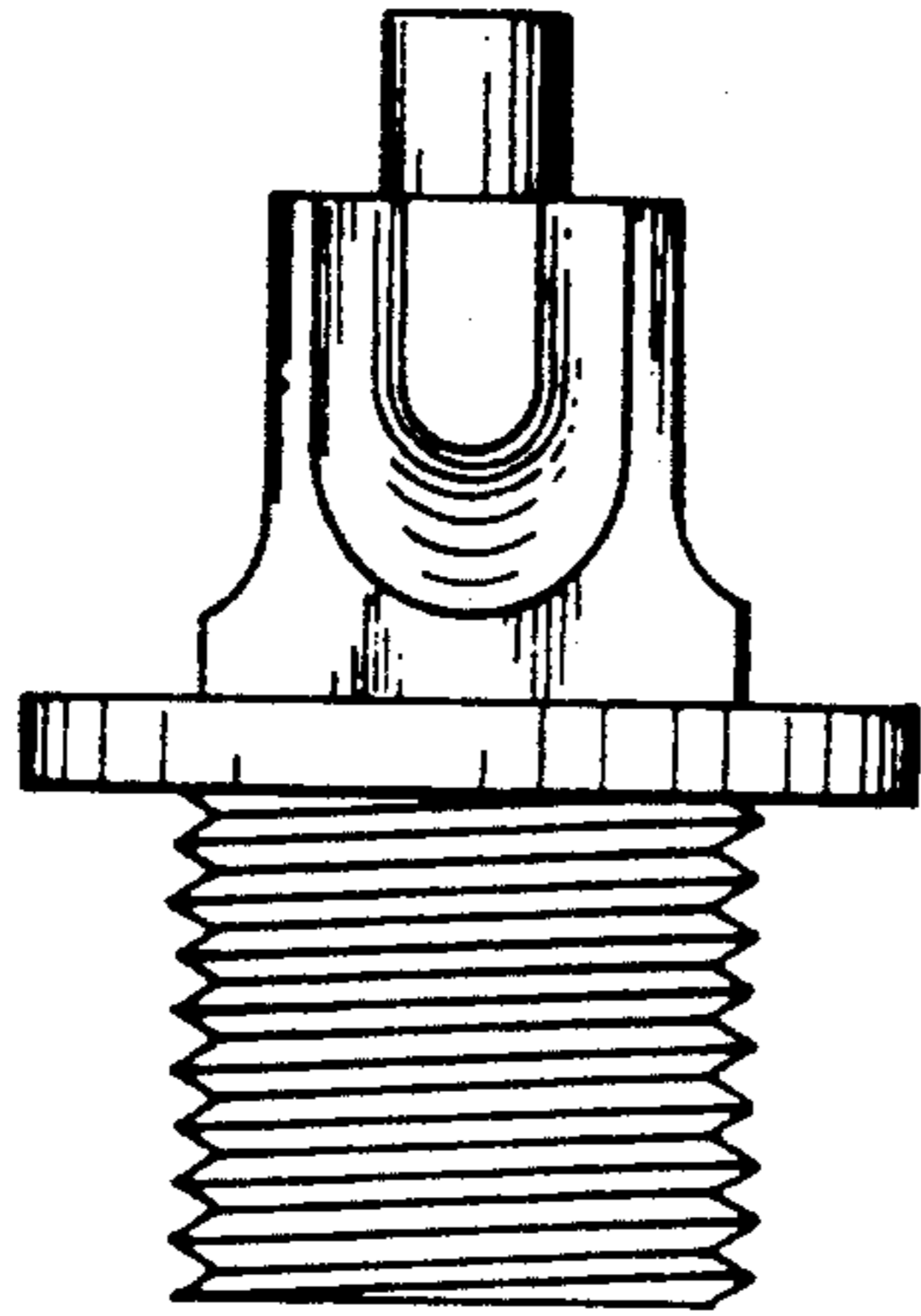


Fig. 3

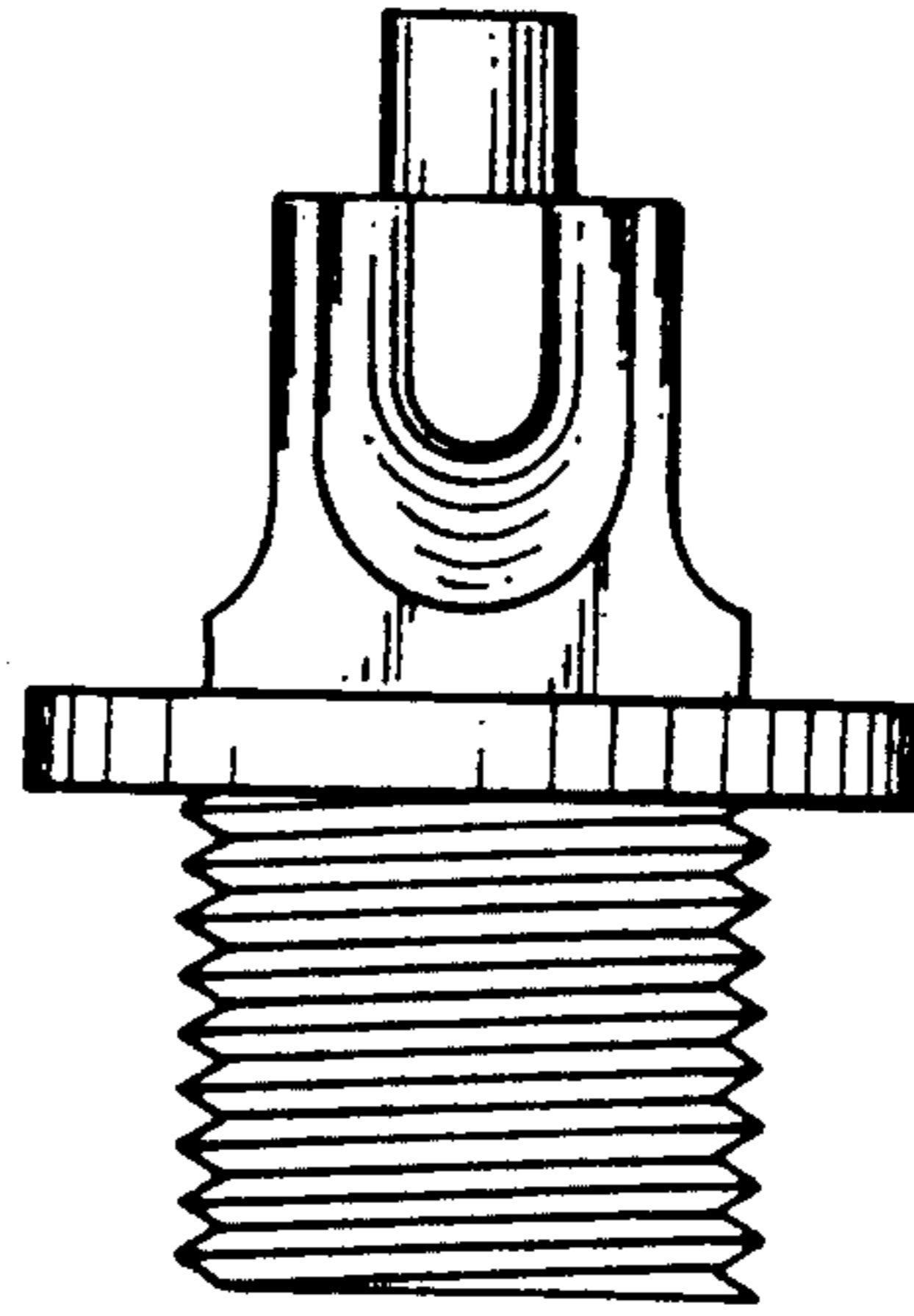


Fig. 4

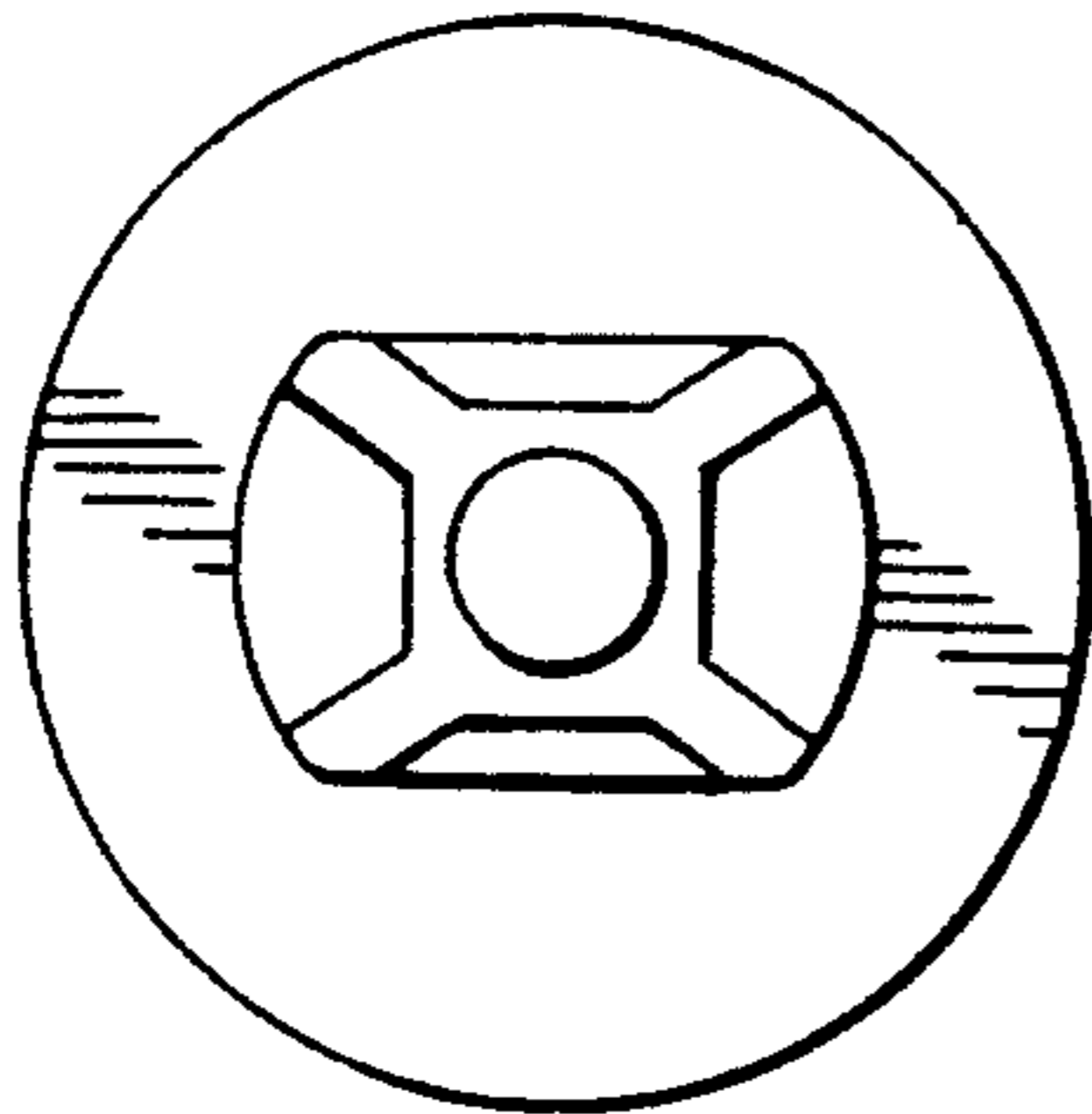


Fig. 5

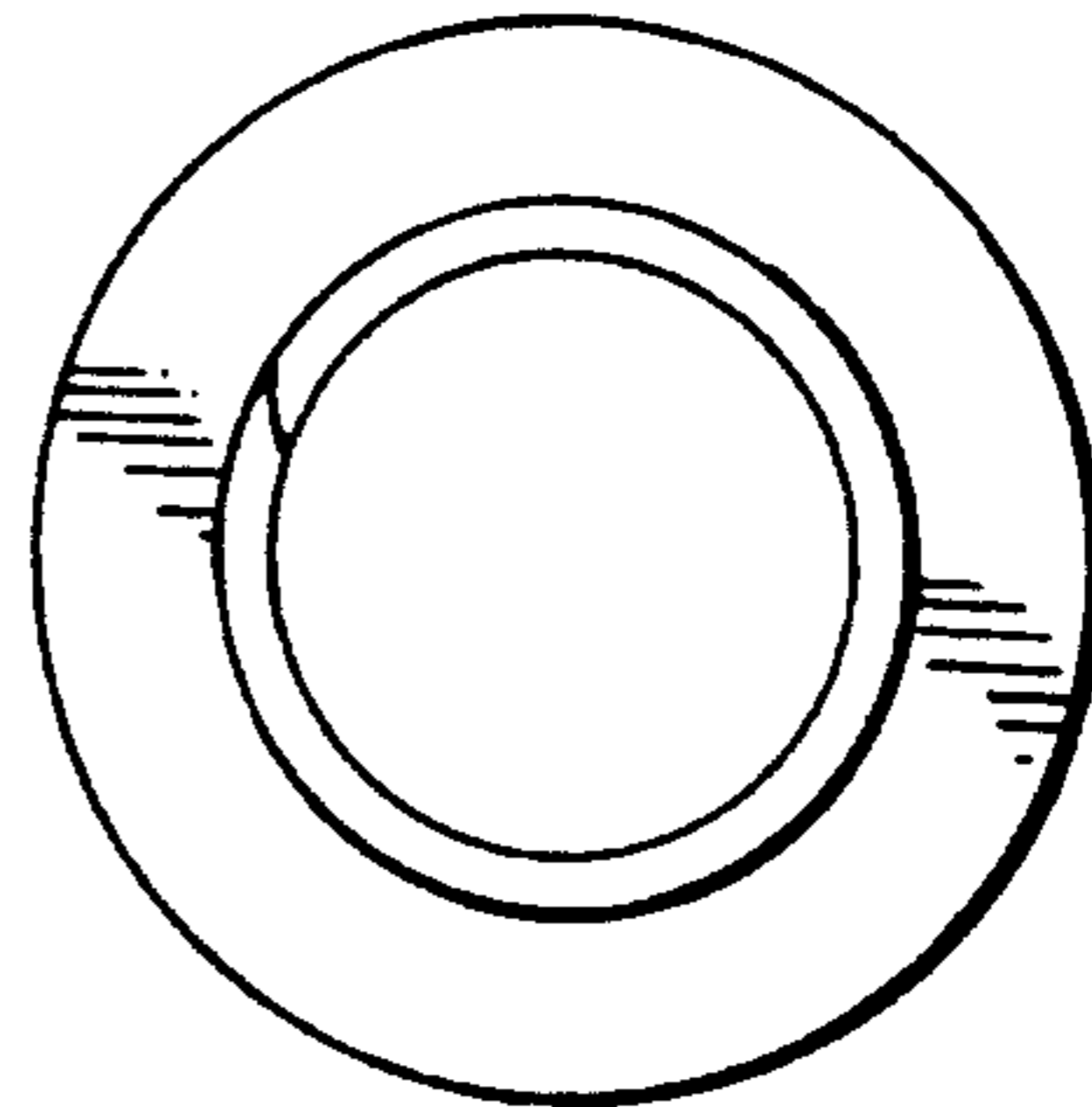


Fig. 6

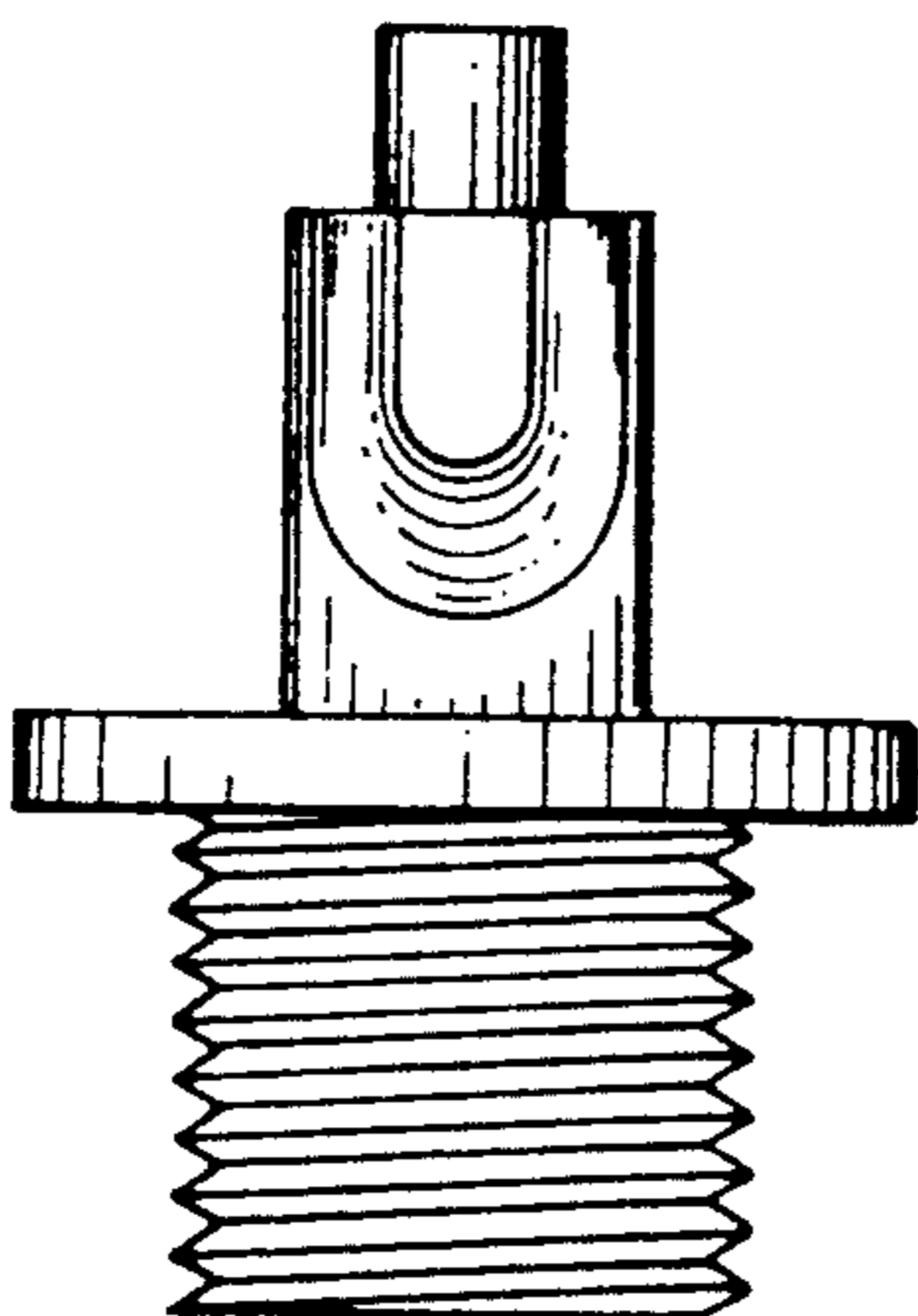


Fig. 7

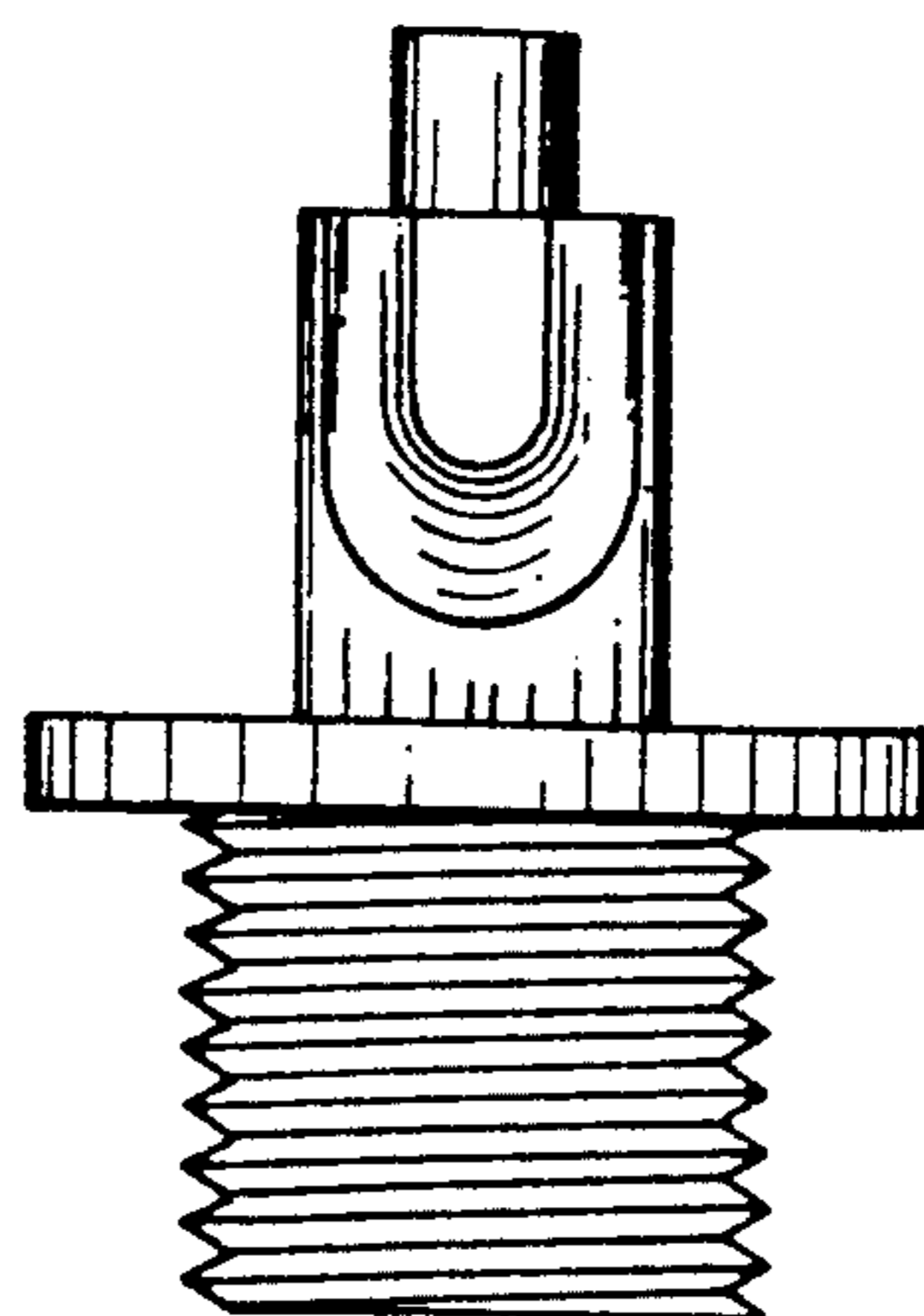


Fig. 8

