



US00D341466S

United States Patent [19]

[11] Patent Number: **Des. 341,466**

Allen

[45] Date of Patent: **** Nov. 16, 1993**

[54] CREMATION URN

[75] Inventor: **Dorothy K. Allen, Libertyville, Ill.**

[73] Assignee: **F. H. Noble & Co., Mundelein, Ill.**

[**] Term: **14 Years**

[21] Appl. No.: **886,741**

[22] Filed: **May 21, 1992**

D. 266,619	10/1982	Krech	D99/5
D. 266,620	10/1982	Krech	D99/5
D. 272,577	2/1984	Dercks et al.	D99/5
D. 334,642	4/1993	Allen	D99/5
5,029,373	7/1991	Raymond	27/1

Primary Examiner—Alan P. Douglas
Assistant Examiner—J. H. Musgrove
Attorney, Agent, or Firm—Todd S. Parkhurst

Related U.S. Application Data

[63] Continuation-in-part of Ser. No. 407,011, Sep. 14, 1989, abandoned.

[52] U.S. Cl. **D99/5**

[58] Field of Search **D99/5; 27/1, 2, 3, 5, 27/7, 8, 11**

References Cited

U.S. PATENT DOCUMENTS

D. 263,088 2/1982 Krech D99/5

[57] CLAIM

The ornamental design for a cremation urn, as shown and described.

DESCRIPTION

FIG. 1 is a front elevational view of a cremation urn showing my new design, the back of the urn being a mirror image of the front;

FIG. 2 is a right side elevational view of the cremation urn, the left side being a mirror image of the right side;

FIG. 3 is a top plan view of the cremation urn; and,

FIG. 4 is a bottom plan view of the cremation urn.

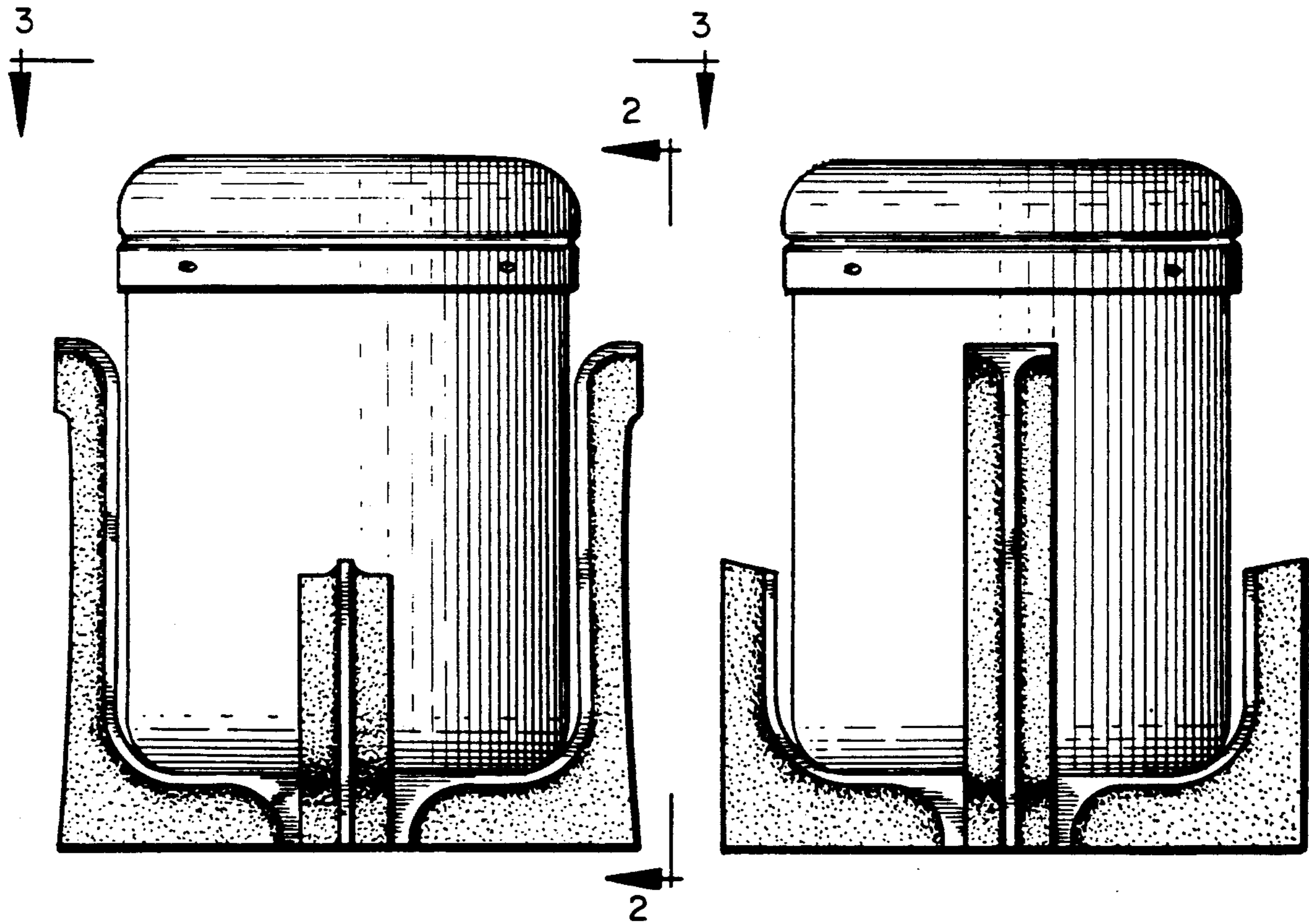


FIG. 1

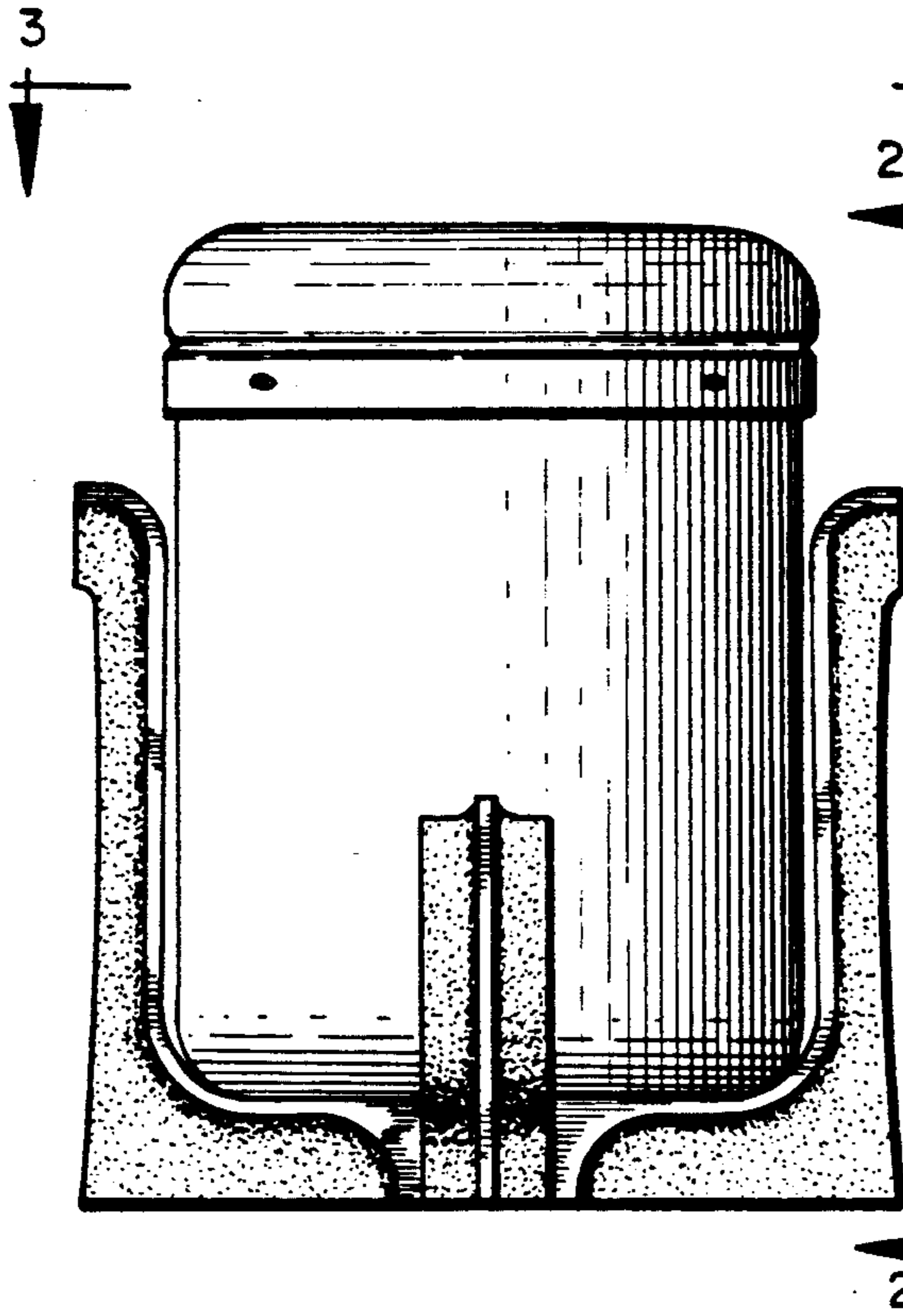


FIG. 2

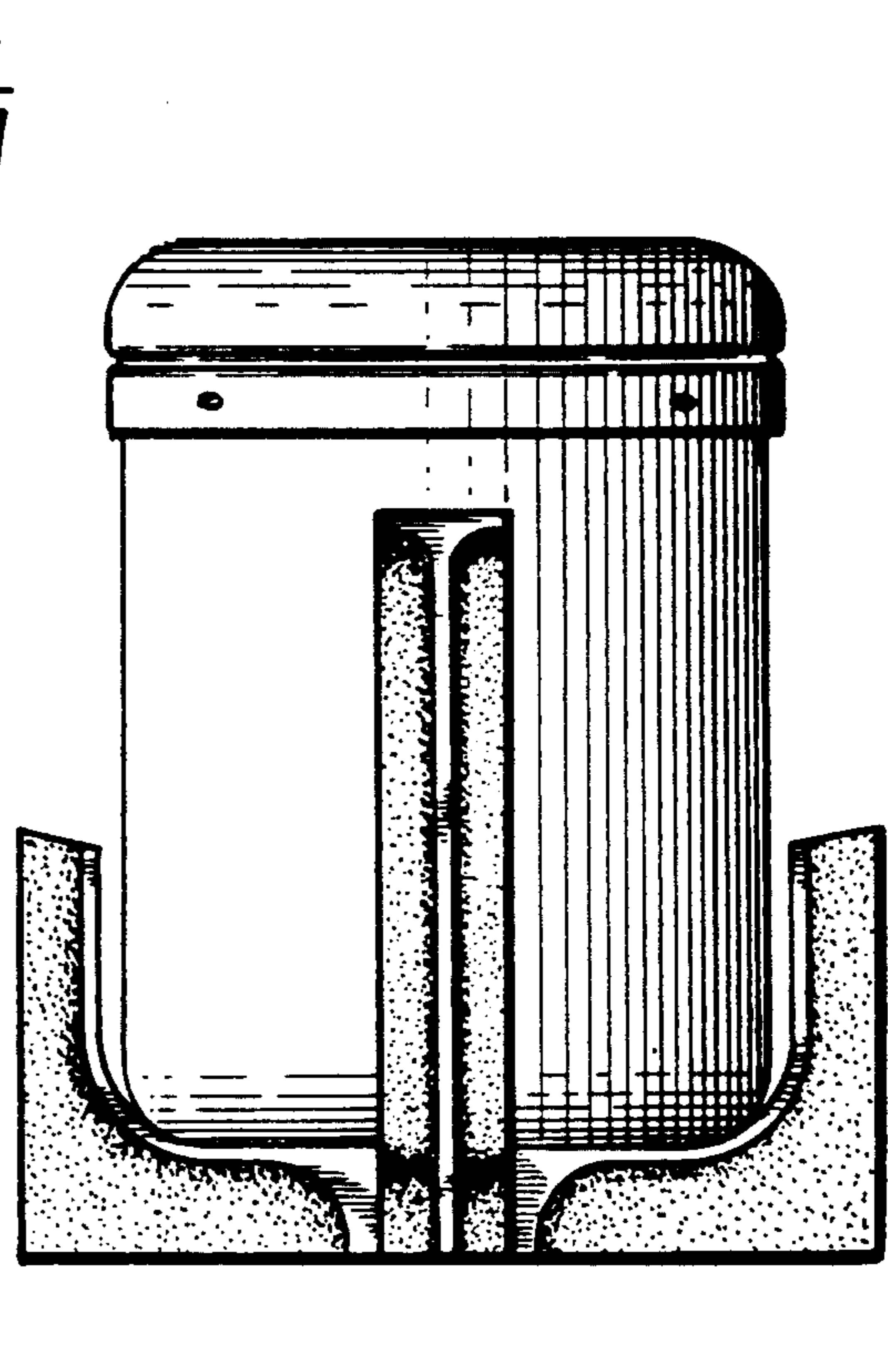


FIG. 3

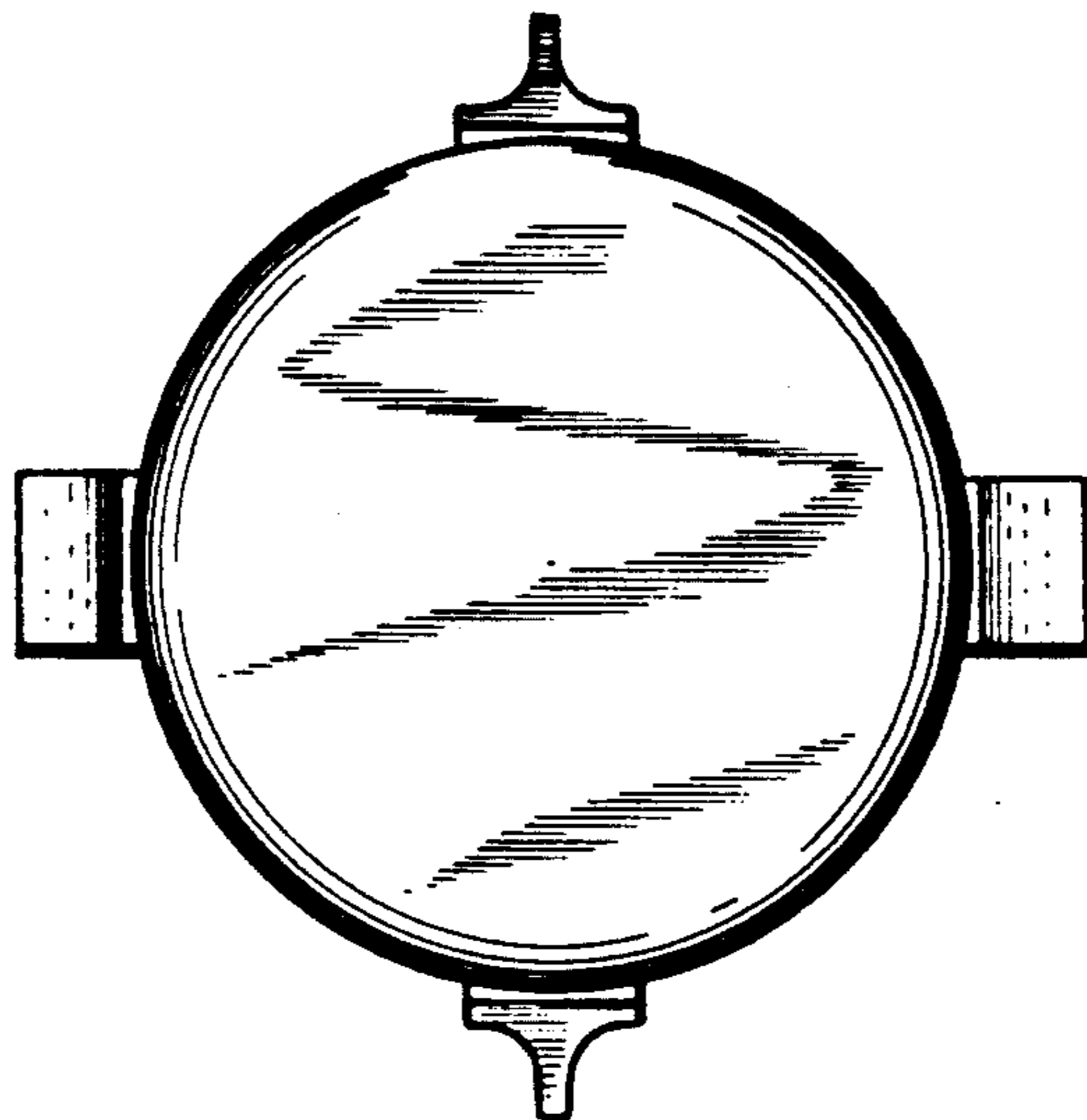


FIG. 4

