



US00D341463S

# United States Patent [19]

[11] Patent Number: **Des. 341,463**

Booth

[45] Date of Patent: **\*\* Nov. 16, 1993**

[54] **CADDY**

[75] Inventor: **James R. Booth**, New York, N.Y.

[73] Assignee: **Park B. Smith Inc.**, New York, N.Y.

[\*\*] Term: **14 Years**

[21] Appl. No.: **845,435**

[22] Filed: **Mar. 2, 1992**

[52] U.S. Cl. .... **D34/42**

[58] Field of Search ..... **D34/40-46;**  
**D32/65, 53, 52, 42, 55; D12/148, 152, 164;**  
**206/513, 202; 220/485, 486, 489, 491, 95, 493,**  
**495, 904, 511; 248/112; D6/525, 512, 566, 542,**  
**535, 537, 527**

2,689,072 9/1954 Dechar ..... 220/486 X  
 2,936,146 5/1960 Wunder ..... D34/42 X  
 4,646,929 3/1987 Plissonneau et al. .... 220/491  
 5,088,618 2/1992 Colombo ..... 220/486 X

*Primary Examiner—Prabhakar G. Deshmukh*  
*Attorney, Agent, or Firm—Gottlieb, Rackman & Reisman*

### [57] CLAIM

The ornamental design for caddy, as shown and described.

### DESCRIPTION

FIG. 1 is a perspective view of a caddy showing my new design;

FIG. 2 is a right side elevational view thereof; the left side elevational view being a mirror image thereof;

FIG. 3 is a top plan view thereof;

FIG. 4 is a front elevational view thereof;

FIG. 5 is a rear elevational view thereof; and,

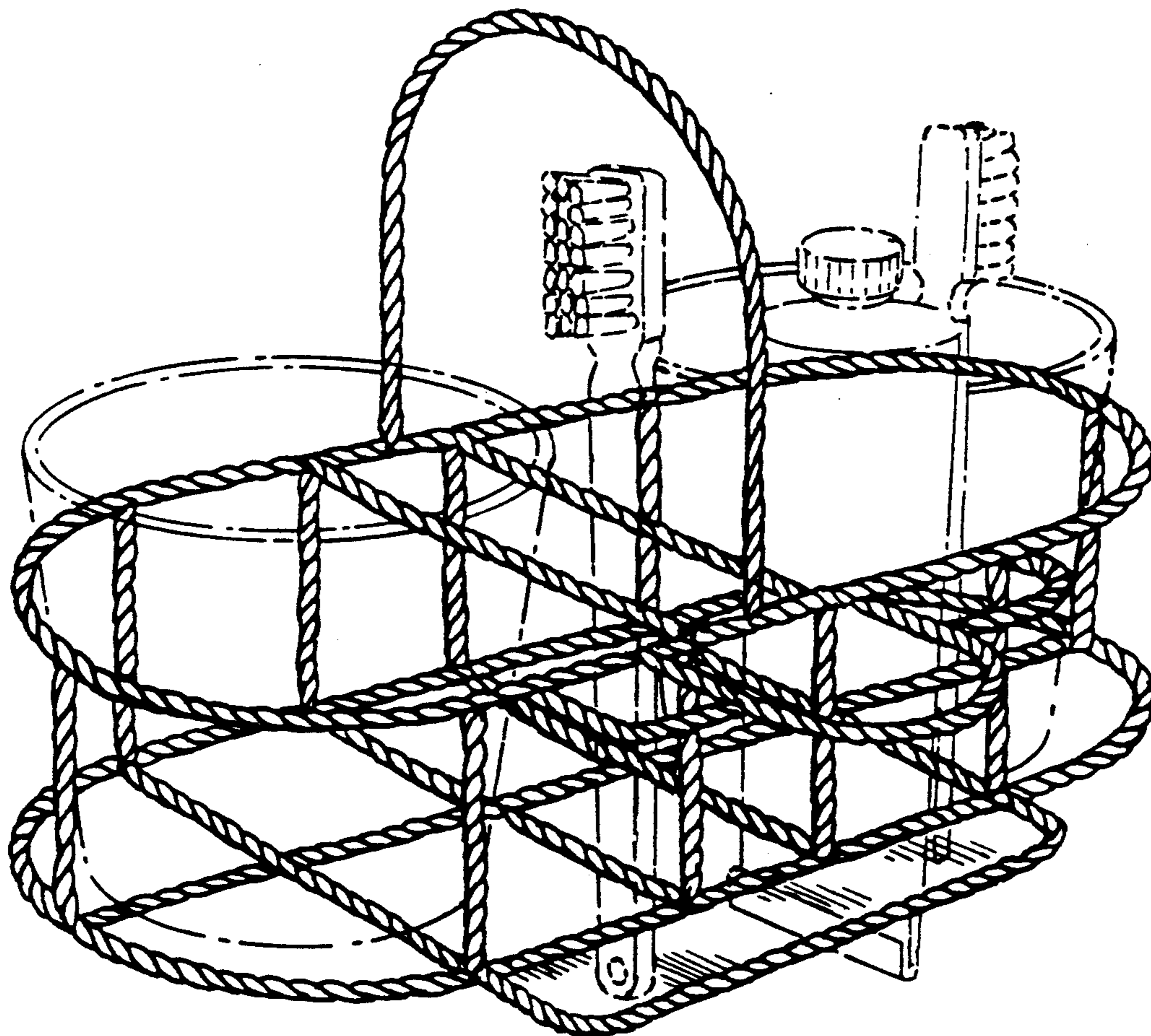
FIG. 6 is a bottom plan view.

The broken line showing of bathroom accessories is for illustrative purpose only and forms no part of the claim.

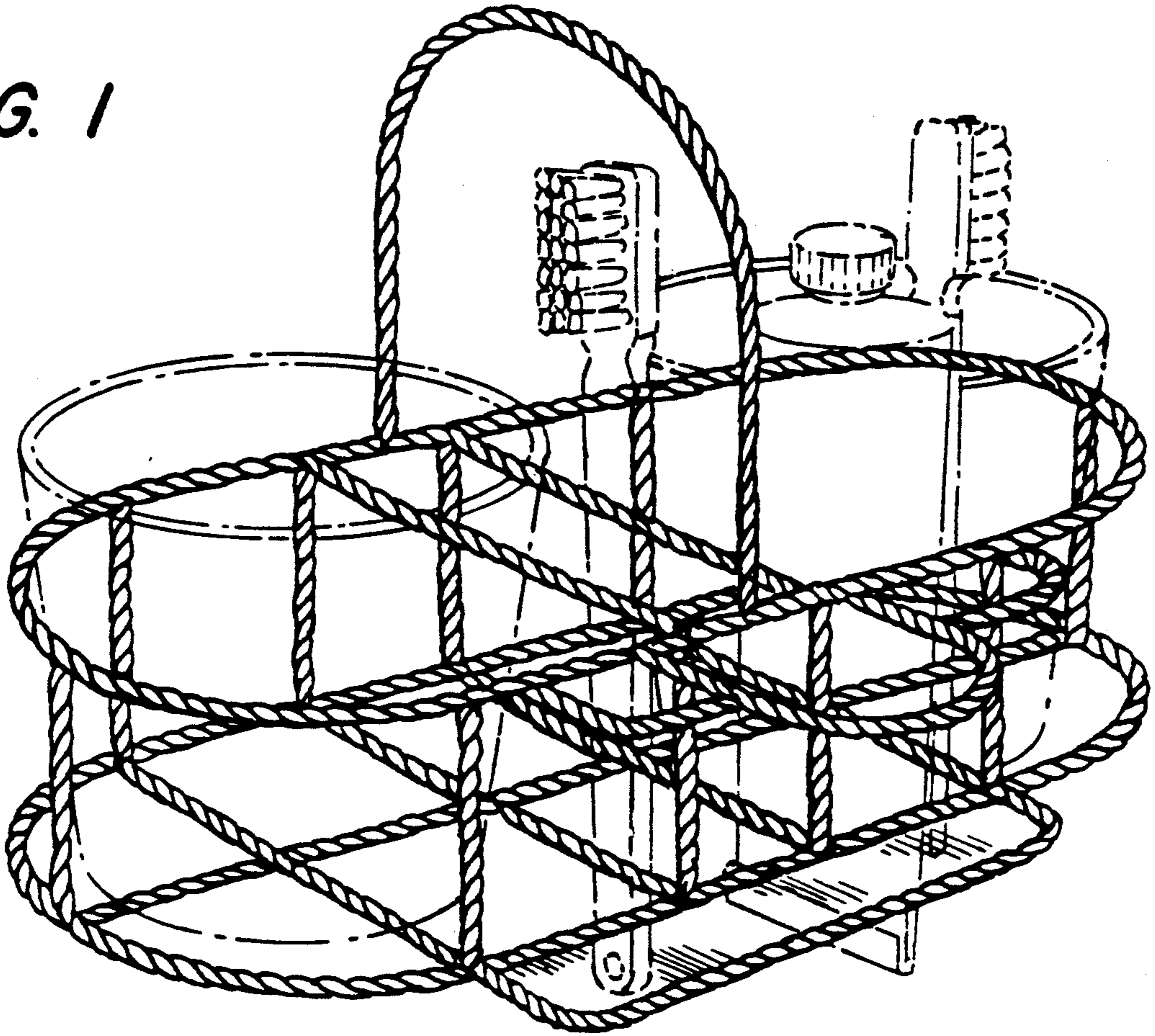
### [56] References Cited

#### U.S. PATENT DOCUMENTS

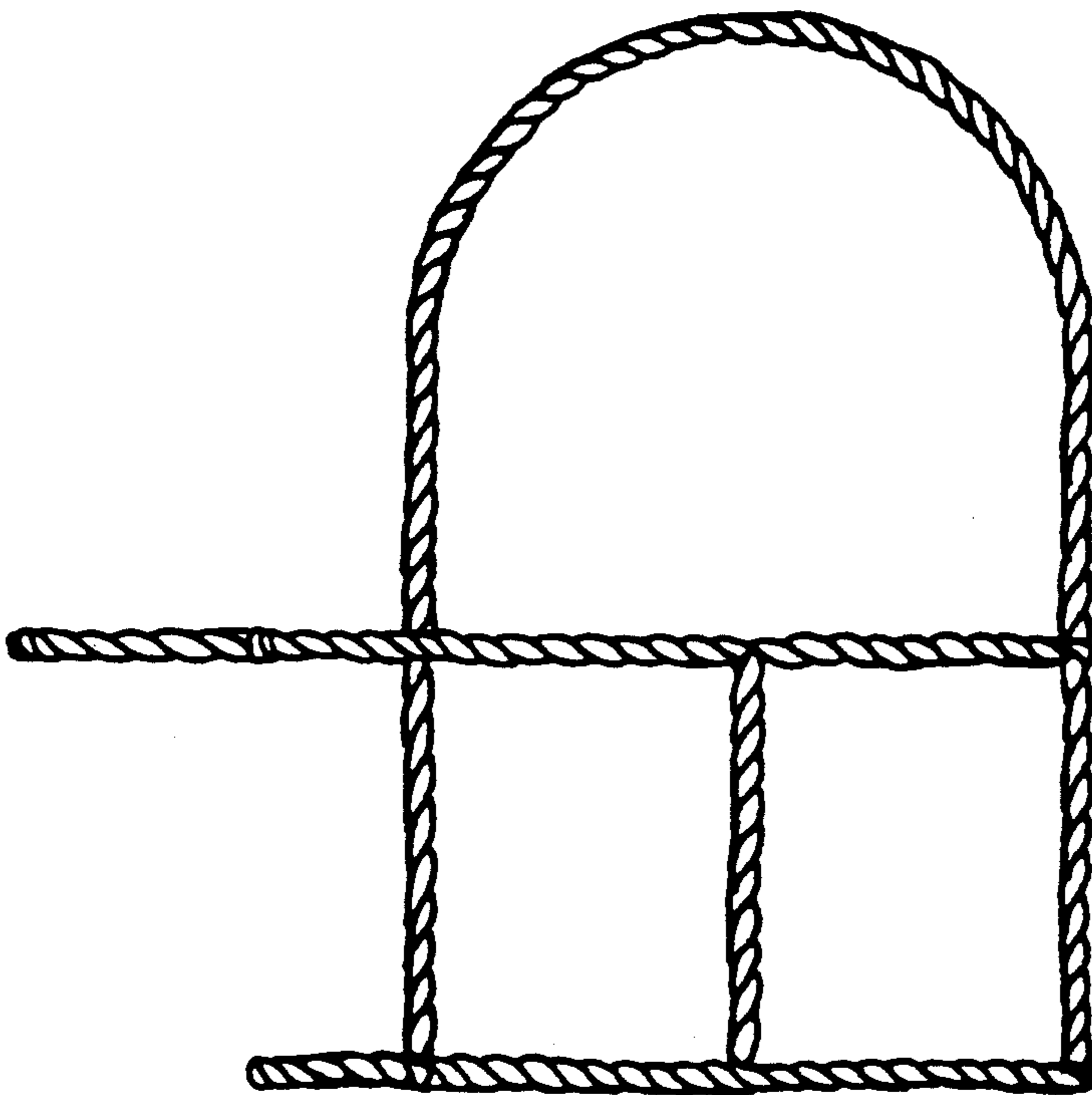
D. 80,842 4/1930 Kehler ..... D6/566  
 D. 202,665 10/1965 Perone et al. .... D34/44  
 D. 267,841 2/1983 Leslie ..... D6/566  
 1,980,416 11/1934 Maguire et al. .... 220/511 X  
 2,049,884 8/1936 Wurster et al. .... 206/202 X

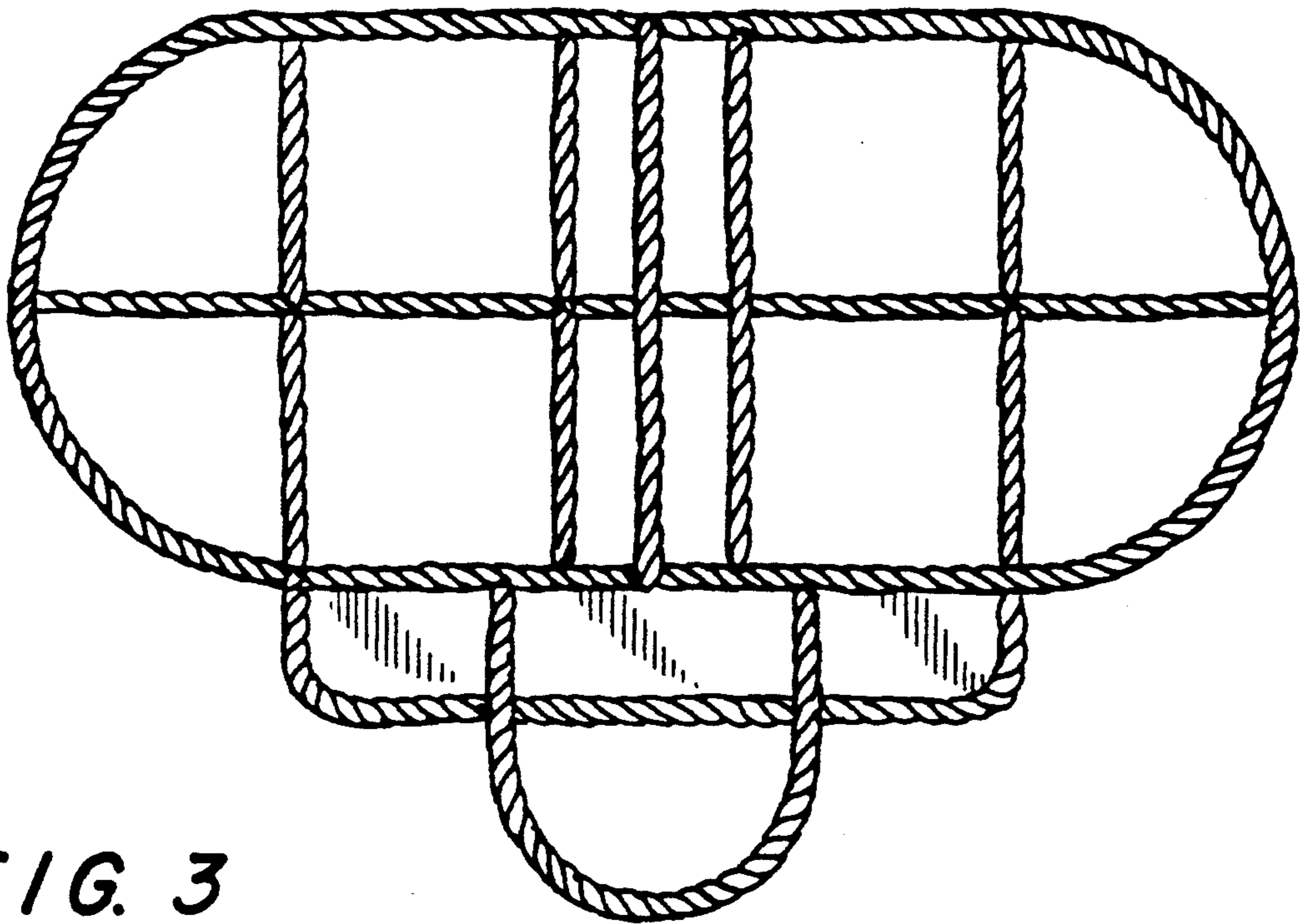


*FIG. 1*

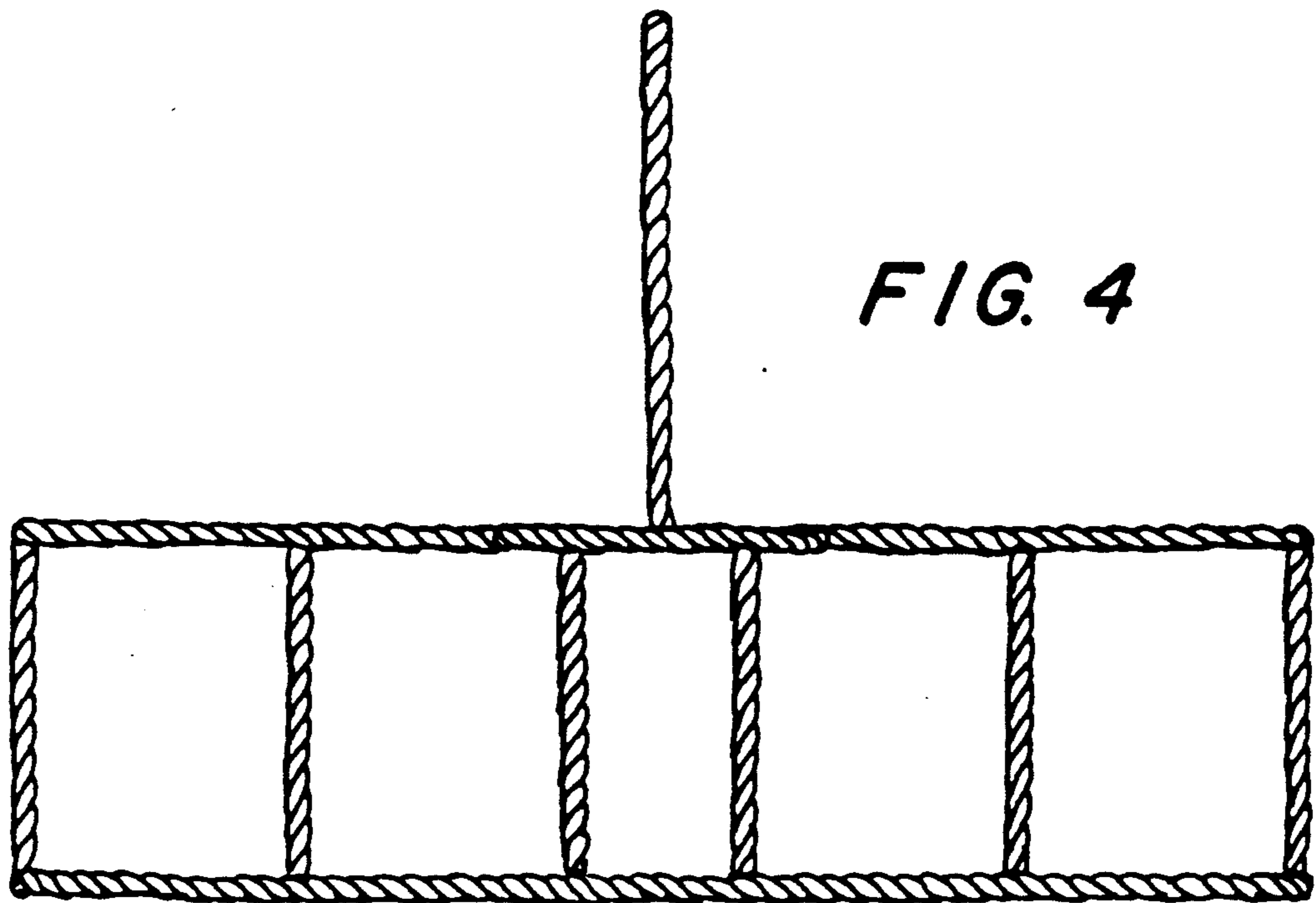


*FIG. 2*



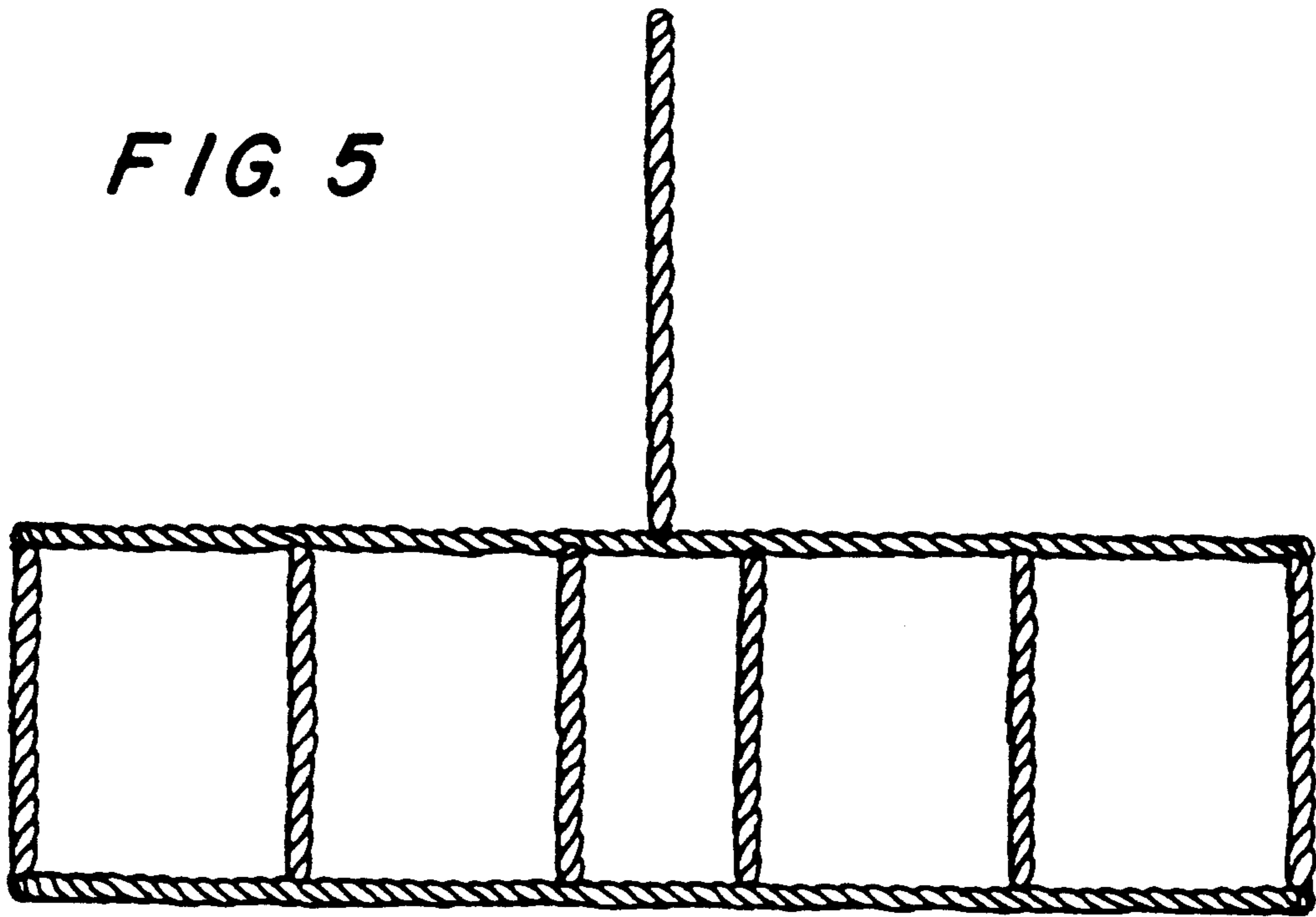


*FIG. 3*



*FIG. 4*

*FIG. 5*



*FIG. 6*

