



US00D341462S

# United States Patent [19]

[11] Patent Number: **Des. 341,462**

**Ballester**

[45] Date of Patent: **\*\* Nov. 16, 1993**

[54] **ANIMAL GROOMING EQUIPMENT  
CARRYING CASE**

D. 318,568	7/1991	Hakansson	.....	D34/44	X
2,615,749	10/1952	Kuchel	.....	206/198	X
3,045,862	7/1962	Chelbor	.....	D34/44	X
4,119,181	10/1978	Jones	.....	D30/199	X

[75] Inventor: **Jose F. Ballester, Guaynabo, P.R.**

[73] Assignee: **Fortiflex, Inc., San Juan, P.R.**

[\*\*] Term: **14 Years**

*Primary Examiner*—Prabhakar G. Deshmukh  
*Attorney, Agent, or Firm*—John N. Bain; Raymond J. Lillie

[21] Appl. No.: **710,950**

### [57] CLAIM

[22] Filed: **Jun. 6, 1991**

The ornamental design for a animal grooming equipment carrying case, as shown and described.

[52] U.S. Cl. .... **D34/43; D30/199**

[58] Field of Search ..... **D34/40-46;  
206/139, 198, 203, 510, 518, 557; 220/1.5, DIG.  
15; D30/109, 199**

### DESCRIPTION

### [56] References Cited

#### U.S. PATENT DOCUMENTS

D. 168,277	11/1952	Roberts	.....	D34/44
D. 192,756	5/1962	Hodgeman	.....	D34/44
D. 198,236	5/1964	Schaefer	.....	D34/44

FIG. 1 is a top plan view of an animal grooming equipment carrying case showing my new design; FIG. 2 is a front elevational view thereof; the rear elevational view being a mirror image thereof; FIG. 3 is a left side elevational view thereof; FIG. 4 is a right side elevational view thereof; and, FIG. 5 is a bottom plan view thereof.

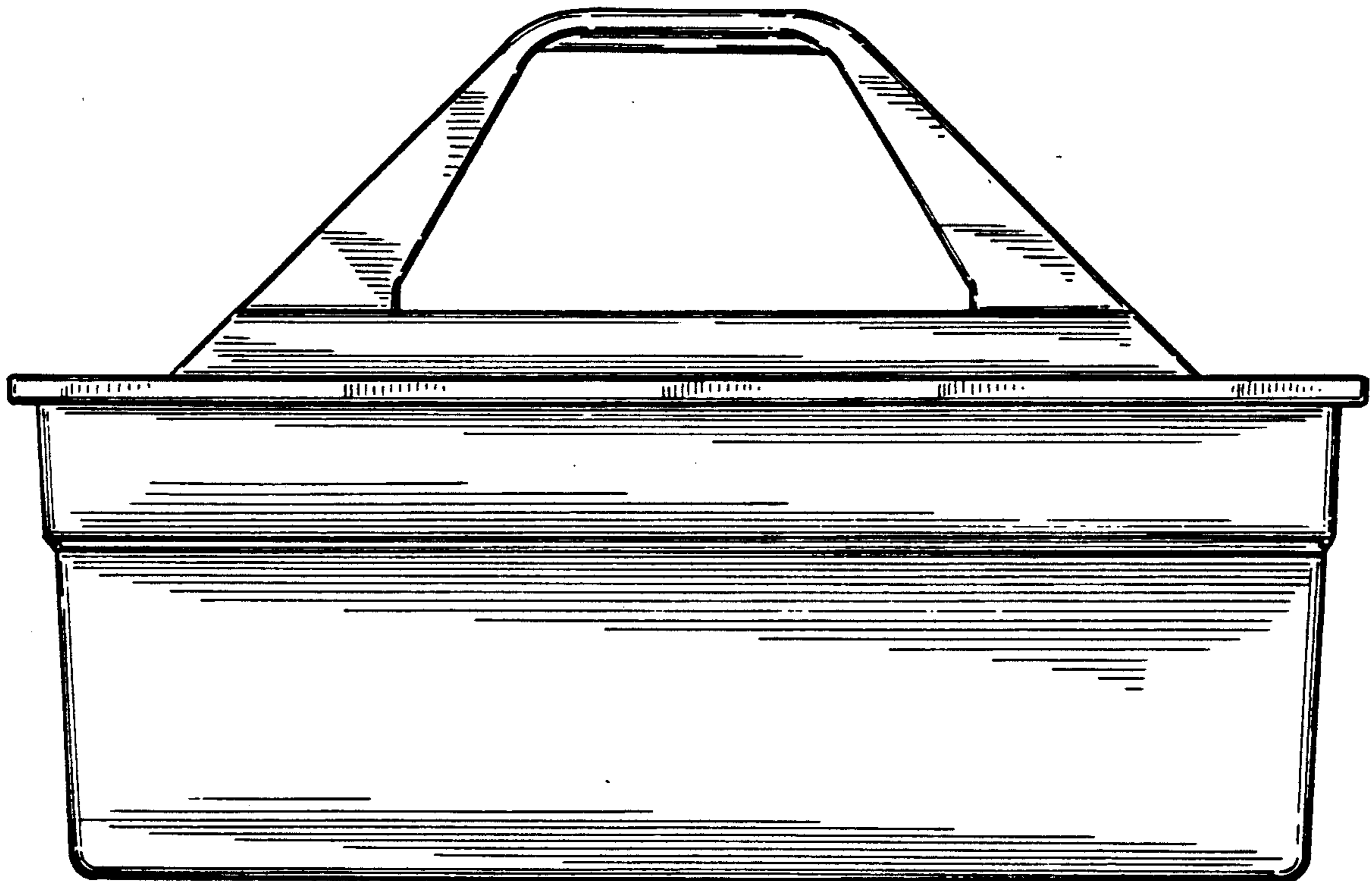


FIG. 1

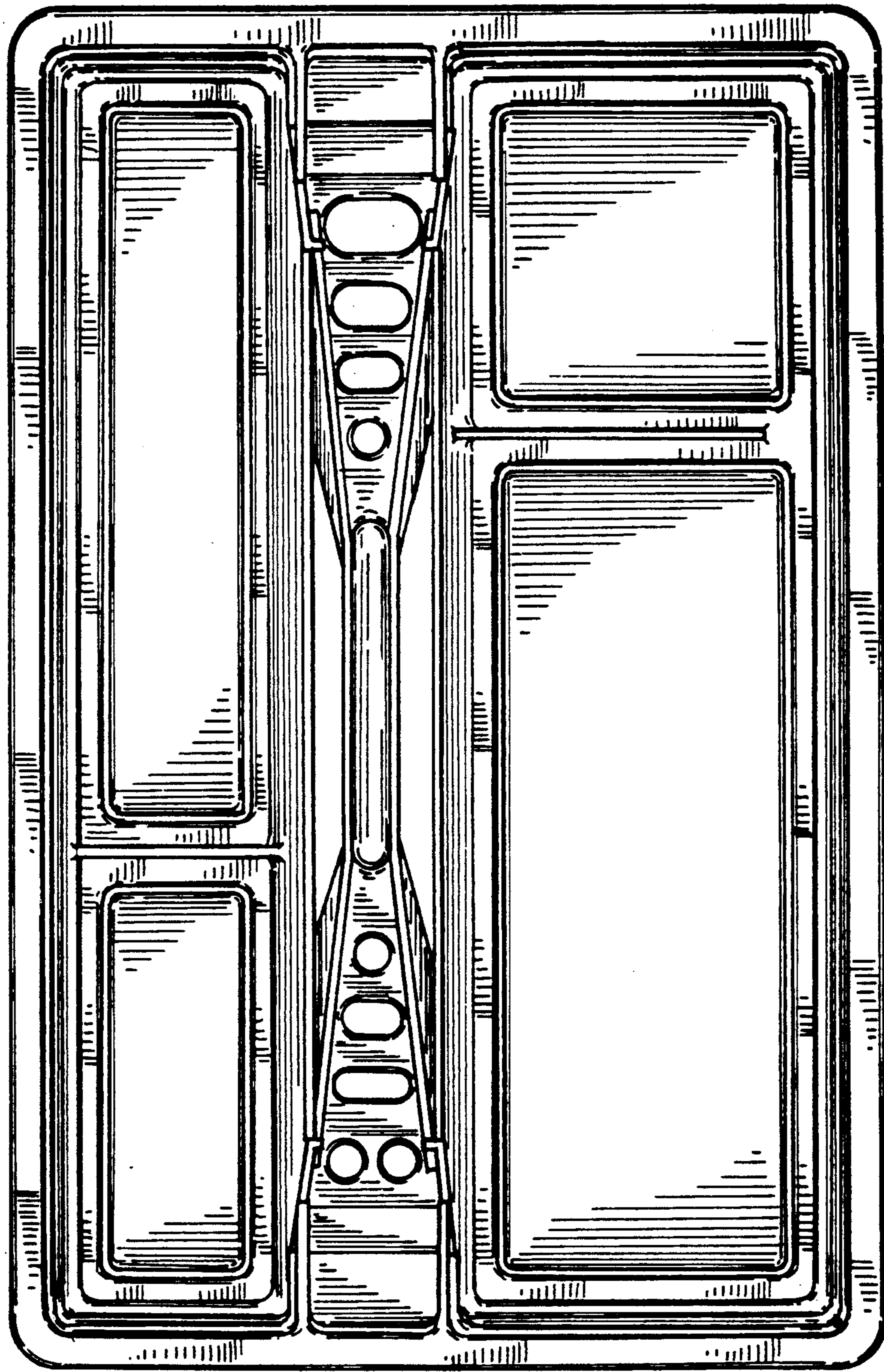


FIG. 2

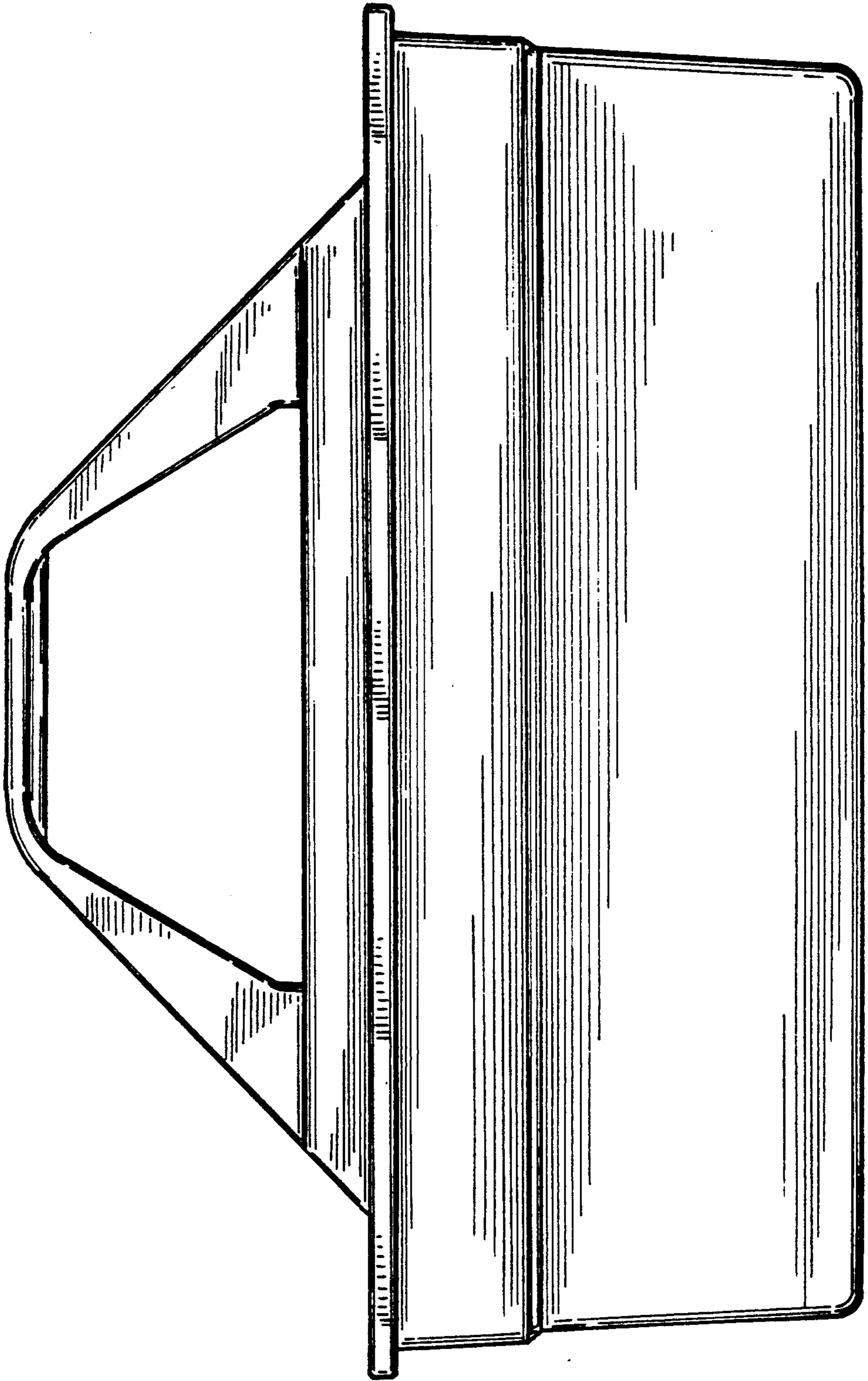


FIG. 3

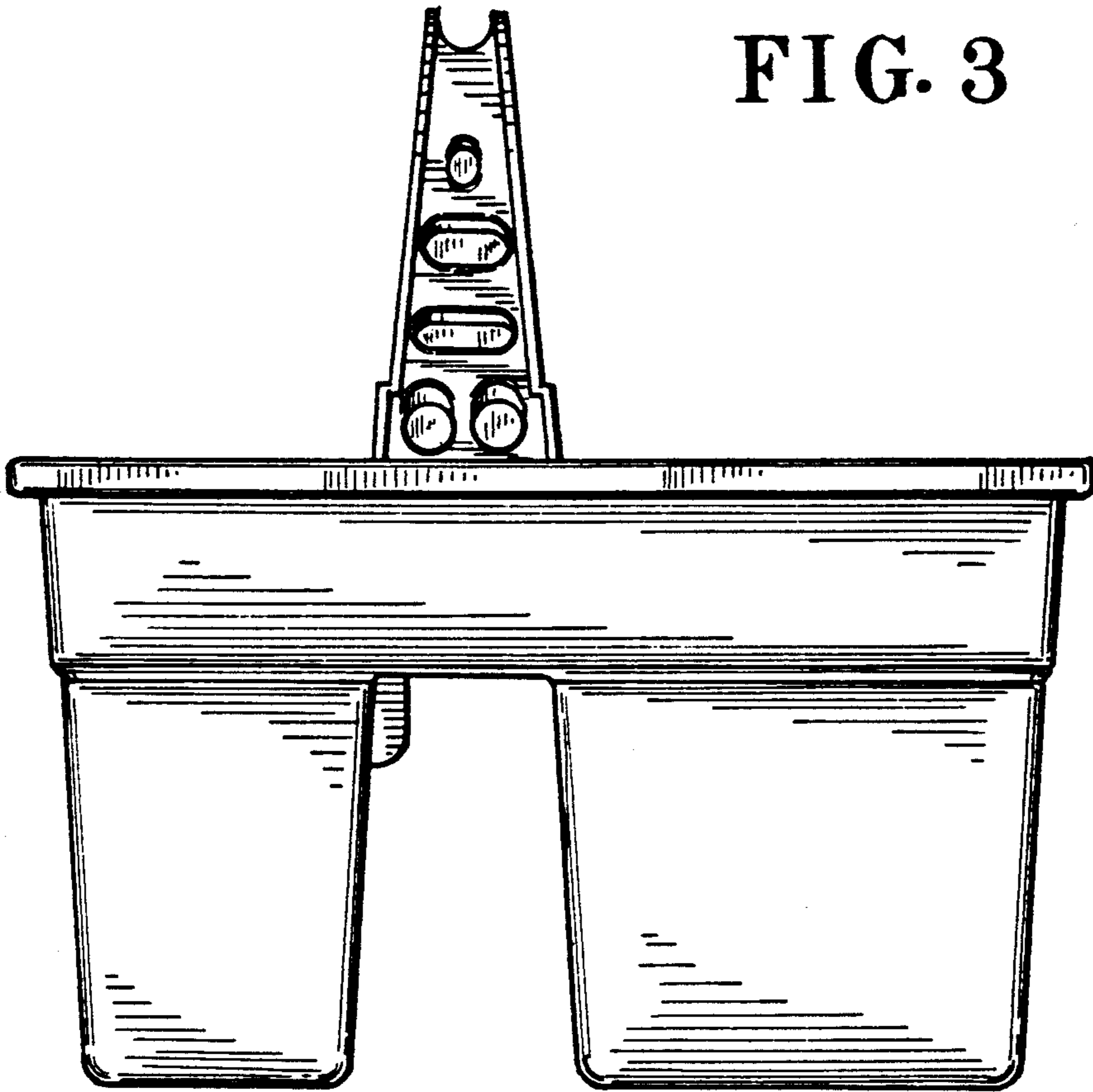


FIG. 4

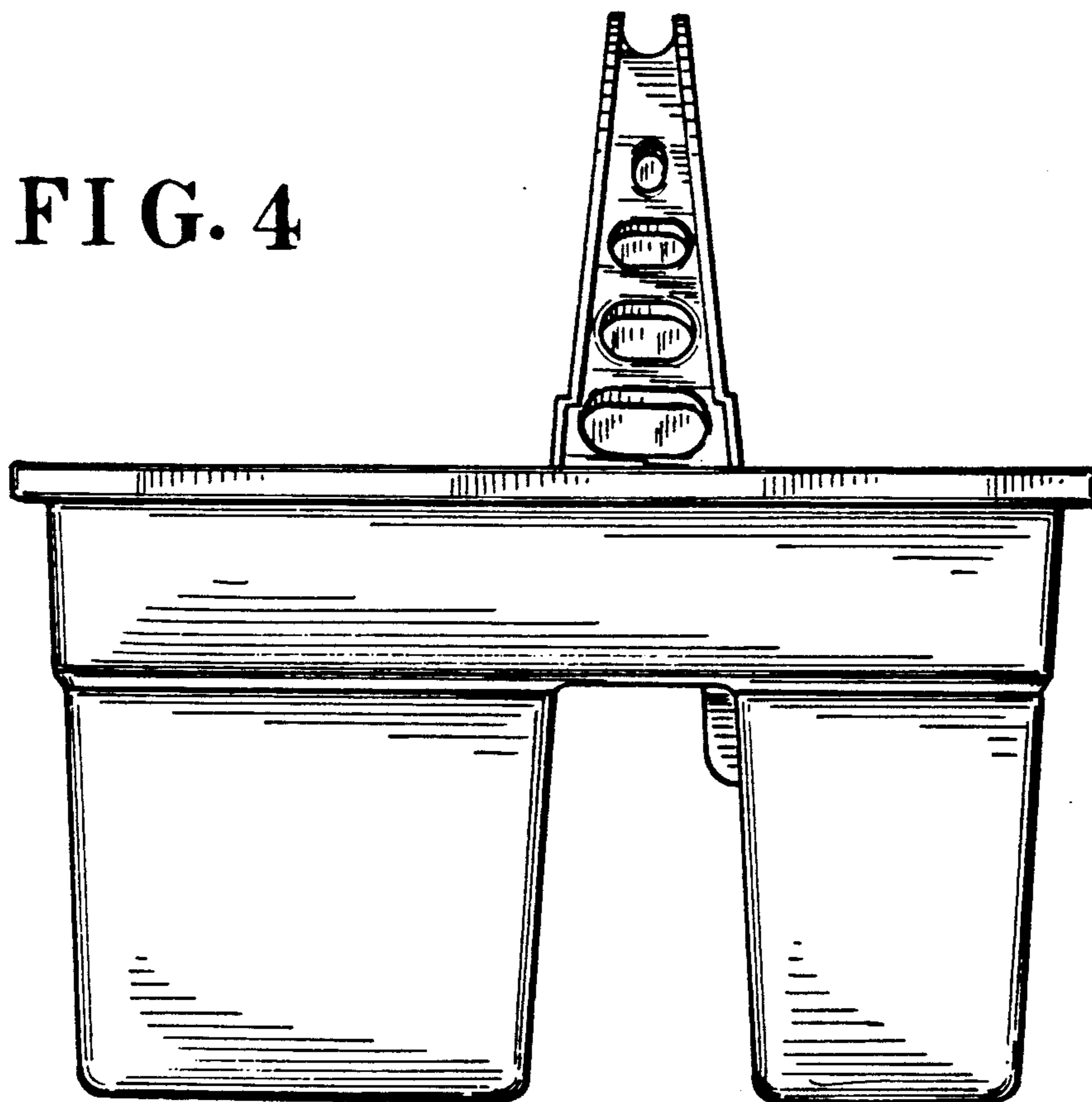


FIG. 5

