



US00D341461S

United States Patent [19]

[11] Patent Number: **Des. 341,461**

Davidson et al.

[45] Date of Patent: **** Nov. 16, 1993**

[54] **GROCERY BOX**

[75] Inventors: **Michael B. Davidson; Harold Brault; Joseph P. Jackman; Cameron G. Whitworth**, all of Toronto, Canada

[73] Assignee: **In-Store Products Limited**, Ontario, Canada

[**] Term: **14 Years**

[21] Appl. No.: **868,820**

[22] Filed: **Apr. 15, 1992**

[30] **Foreign Application Priority Data**

Mar. 20, 1992 [CA] Canada 2003927
[52] U.S. Cl. **D34/40; D9/425**
[58] Field of Search D9/424, 425, 429, 431, D9/414; D34/40-46; 206/503, 507, 510, 515, 518, 557, 567, 203, 499; 220/1.5, 23.6, 23.4, 669, 675, 645, 657, 659

[56] **References Cited**

U.S. PATENT DOCUMENTS

- D. 197,311 1/1964 Spaak et al. .
- D. 275,886 10/1984 Sheward et al. D9/425 X
- D. 304,639 11/1989 Davis D34/40
- D. 310,748 9/1990 Embree et al. .
- D. 326,345 5/1992 Mandell et al. D34/40
- 2,133,834 10/1938 Sheldon .
- 2,687,589 8/1954 Brockway .
- 2,995,271 8/1961 Frater et al. .
- 3,420,402 1/1969 Frater et al. .
- 3,614,133 10/1971 Ganci et al. .

- 3,700,137 10/1972 Souza 206/506 X
- 3,721,349 3/1973 Jaffee et al. .
- 3,759,416 9/1973 Constantine 206/505
- 3,844,577 10/1974 Wahl .
- 4,014,450 3/1977 Girotti et al. 206/675 X
- 4,846,350 7/1989 Sorensen .
- 4,848,580 7/1989 Wise .

FOREIGN PATENT DOCUMENTS

- 382866 8/1990 European Pat. Off. .
- 1163199 9/1958 France .
- 2562019 10/1985 France .
- 2569151 2/1986 France .
- 2573378 5/1986 France .
- 661981 11/1951 United Kingdom .

OTHER PUBLICATIONS

Lewisystems, Jan. 1983, p. 20 as shown.
Sanko Co. Catalog, 1984-1985, p. 38 as shown.

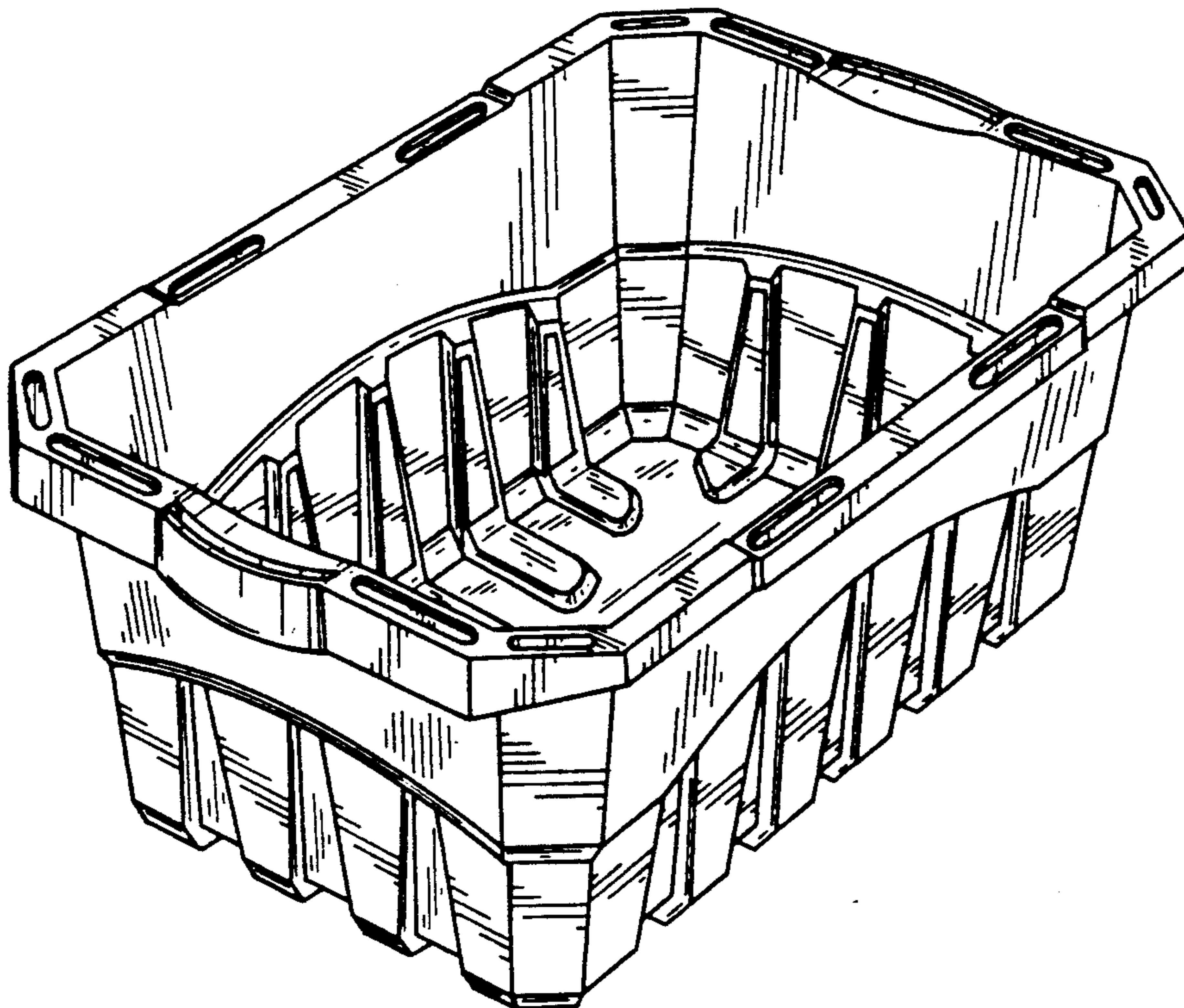
Primary Examiner—Prabhakar G. Deshmukh

[57] **CLAIM**

The ornamental design for a grocery box, as shown and described.

DESCRIPTION

FIG. 1 is a top perspective view of a grocery box showing our new design;
FIG. 2 is a bottom perspective view thereof;
FIG. 3 is a right side elevational view thereof; the left side elevational view being a mirror image thereof;
FIG. 4 is a front elevational view thereof; the rear elevational view being a mirror image thereof; and,
FIG. 5 is a top plan view thereof.



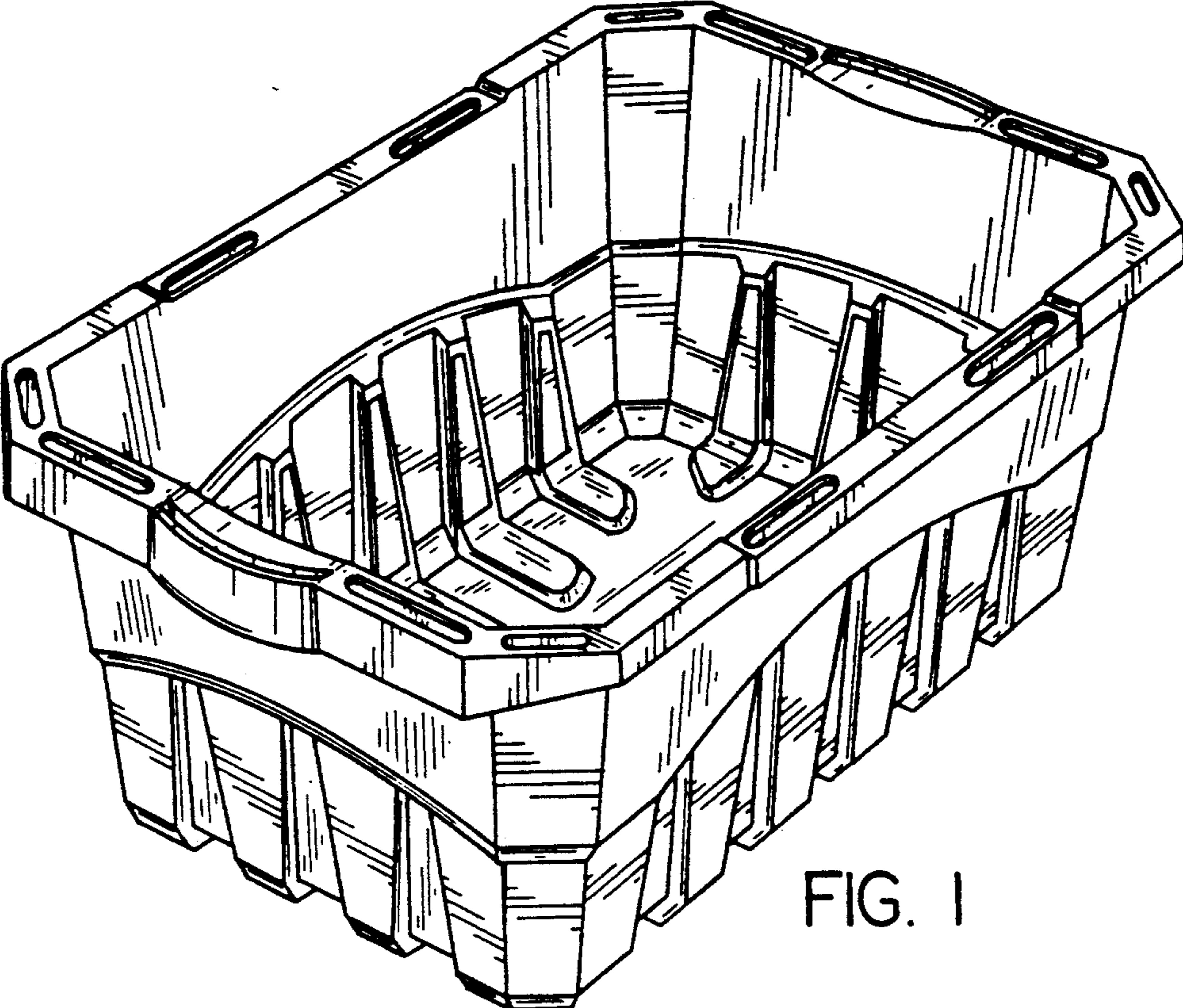


FIG. 1

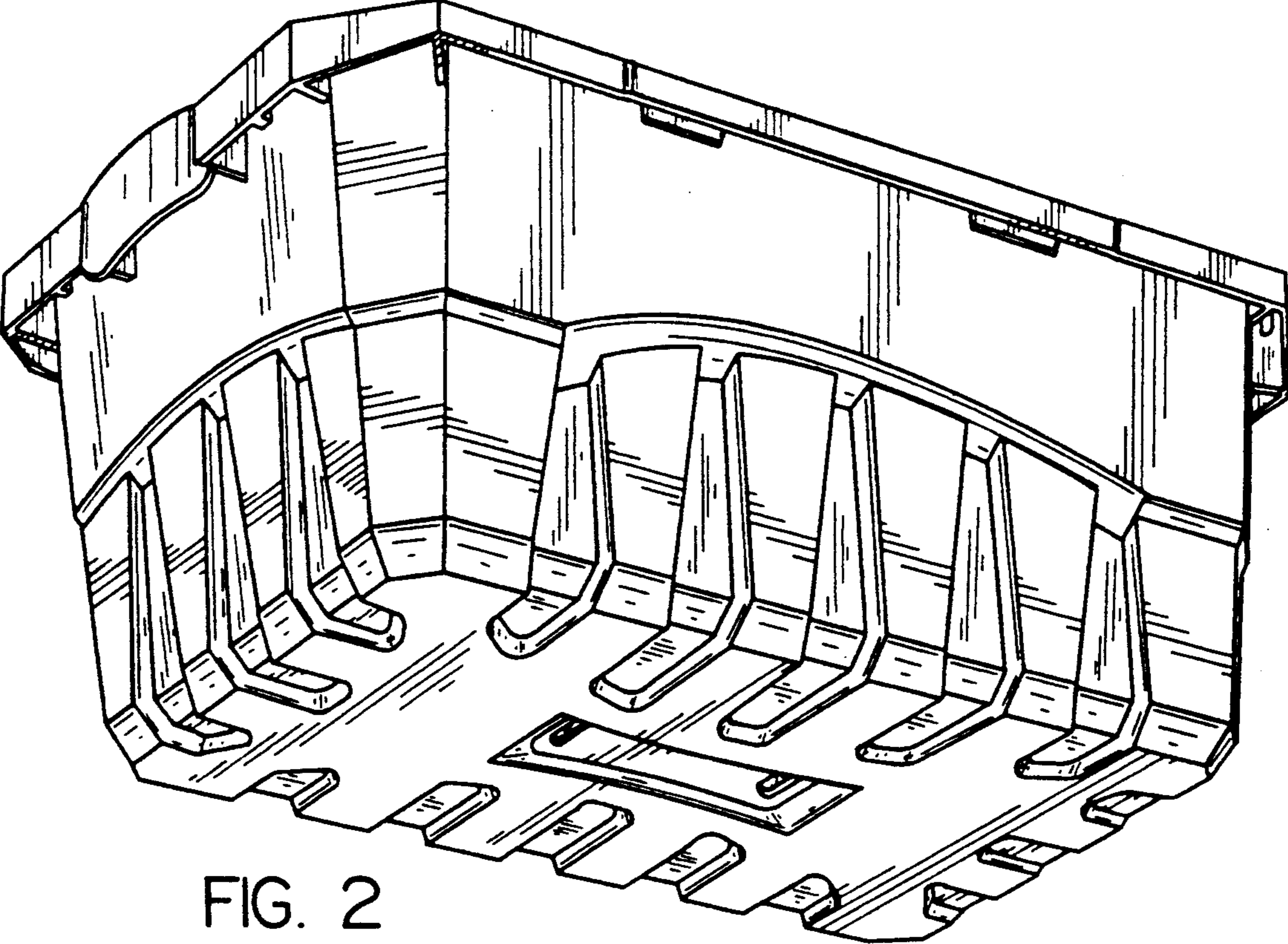
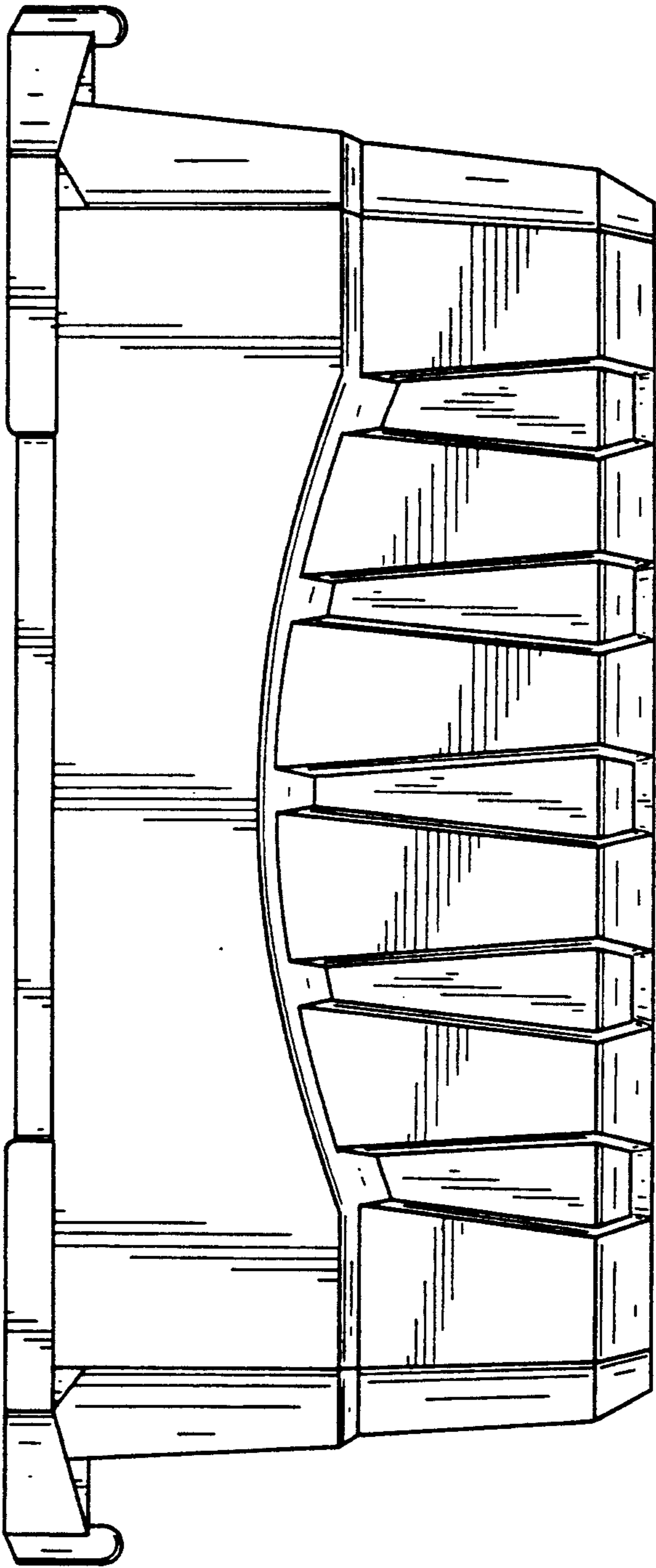


FIG. 2

FIG. 3



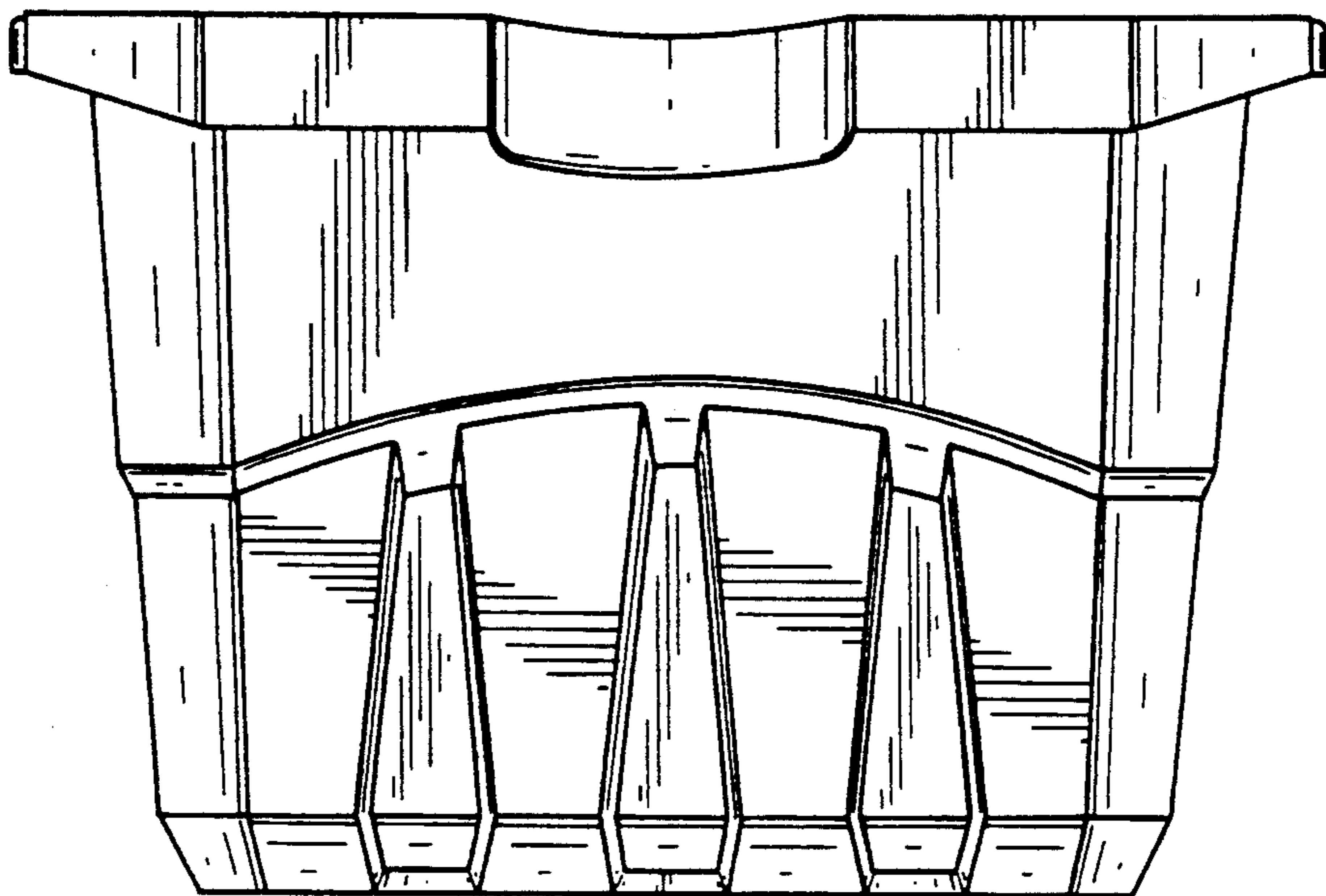


FIG. 4

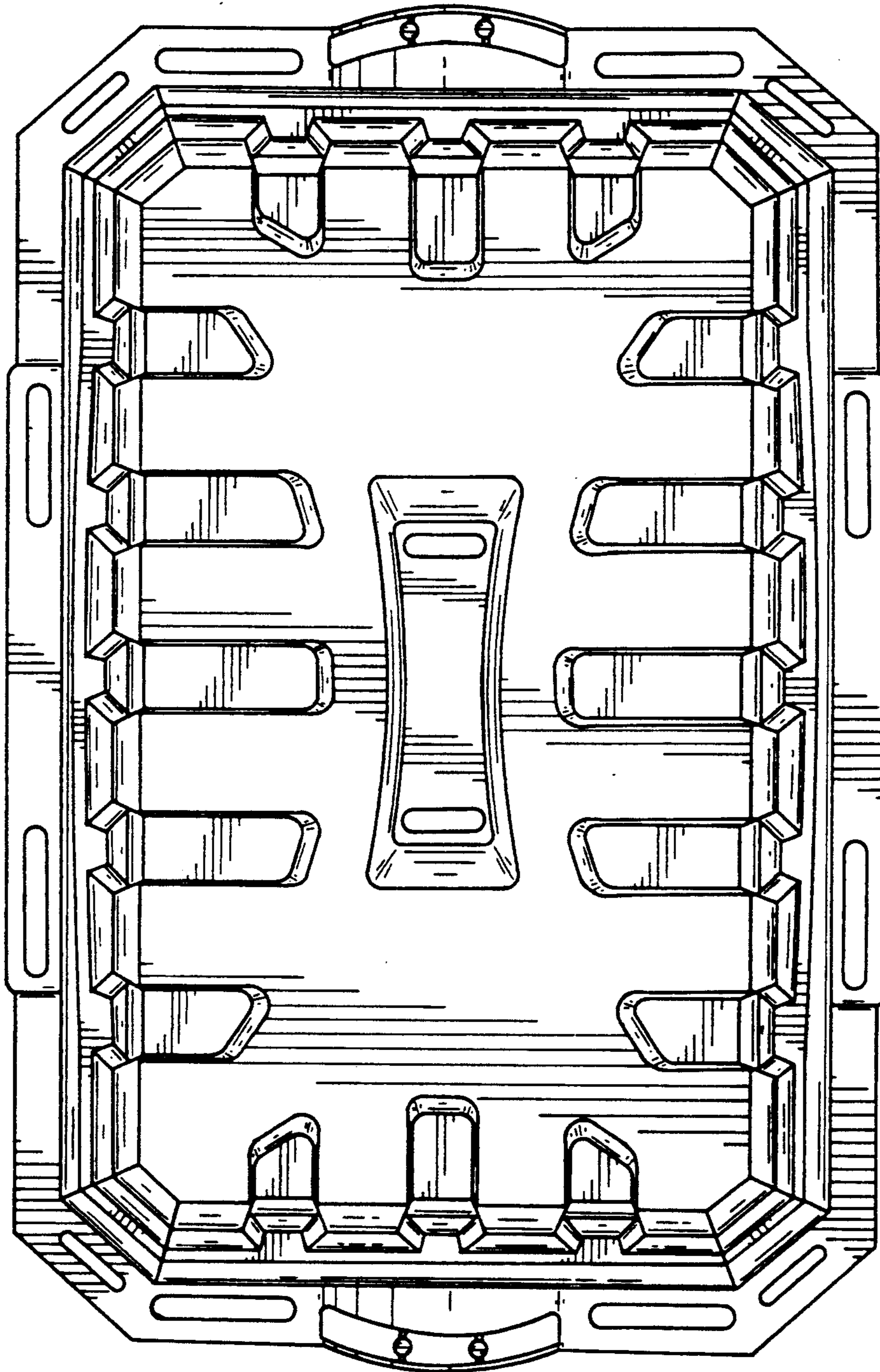


FIG. 5