



US00D341460S

United States Patent [19]

[11] Patent Number: Des. 341,460

Parshall et al.

[45] Date of Patent: ** Nov. 16, 1993

[54] CHILDREN'S CART

[75] Inventors: Robert L. Parshall, Jackson, Mich.;
David A. McCluskey, Tucson, Ariz.

[73] Assignee: Clifcraft Manufacturing Company
Inc., Tucson, Ariz.

[**] Term: 14 Years

[21] Appl. No.: 763,080

[22] Filed: Sep. 20, 1991

3,425,709 2/1969 Fields D21/71
3,765,696 10/1973 Capron 280/47.25
4,946,120 8/1990 Baer 280/47.18

Primary Examiner—Kay H. Chin
Attorney, Agent, or Firm—Antonio R. Durando; Harry
M. Weiss

[57] CLAIM

The ornamental design for a children's cart, as shown
and described.

DESCRIPTION

FIG. 1 is a perspective view taken from the front right
side of a children's cart showing our design, the front
left side view being the same as the disclosed side;
FIG. 2 is a perspective view taken from the rear right
side of the children's cart showing our design with the
handle illustrated in fragment, the rear left side view
being the same as the disclosed side;
FIG. 3 is a bottom view thereof taken from the line 3—3
in FIG. 2;
FIG. 4 is a rear and right side perspective view thereof
with the safety bar pivoted in upward position; and,
FIG. 5 is a bottom view thereof taken from the line 5—5
in FIG. 4.
The handle, shown broken away in FIGS. 2, 3, 4 and 5
is for convenience of illustration.

Related U.S. Application Data

[63] Continuation-in-part of Ser. No. 518,958, May 4, 1990,
abandoned, which is a continuation-in-part of Ser. No.
294,046, Jan. 6, 1989, Pat. No. D. 309,968.

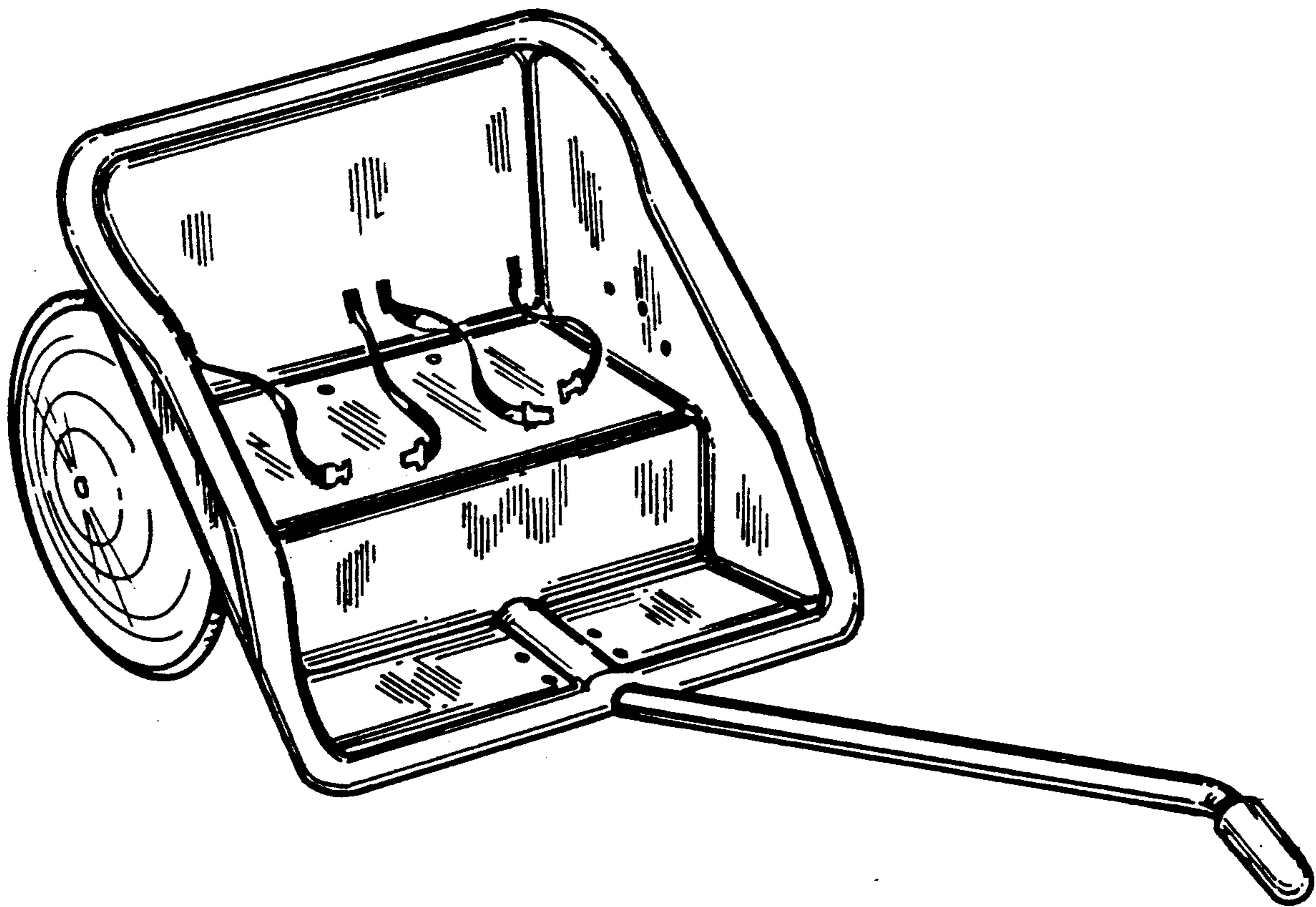
[52] U.S. Cl. D34/24; D34/26;
D12/129

[58] Field of Search D34/12, 24, 26; D21/71;
280/47.18, 87.01, 652, 655, 657, 47.25, 47.33;
D12/129

[56] References Cited

U.S. PATENT DOCUMENTS

D.296,225 6/1988 Armstrong D21/71
D. 309,968 8/1990 Parshall D34/24
1,527,973 3/1925 Gilbert D21/71



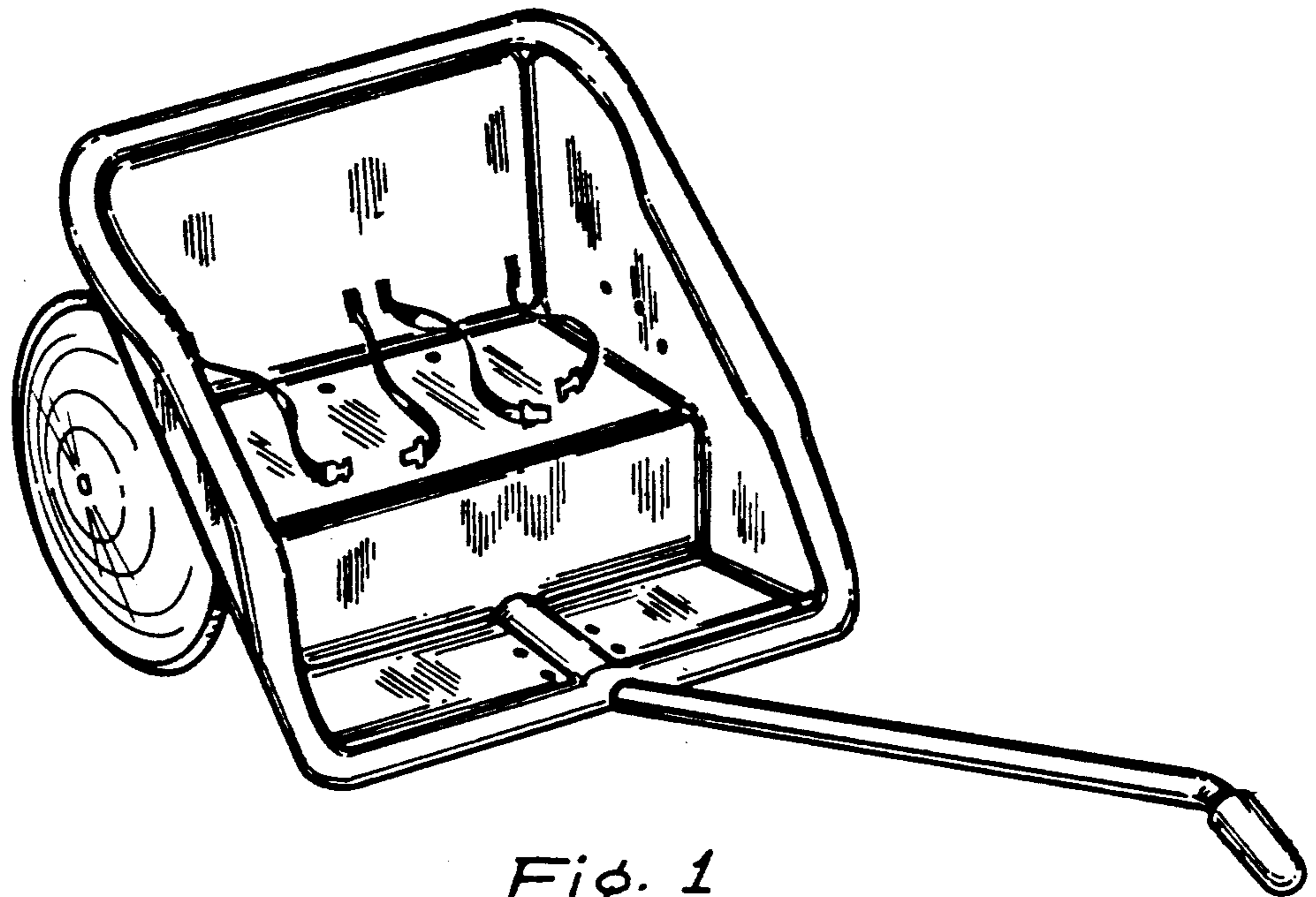


Fig. 1

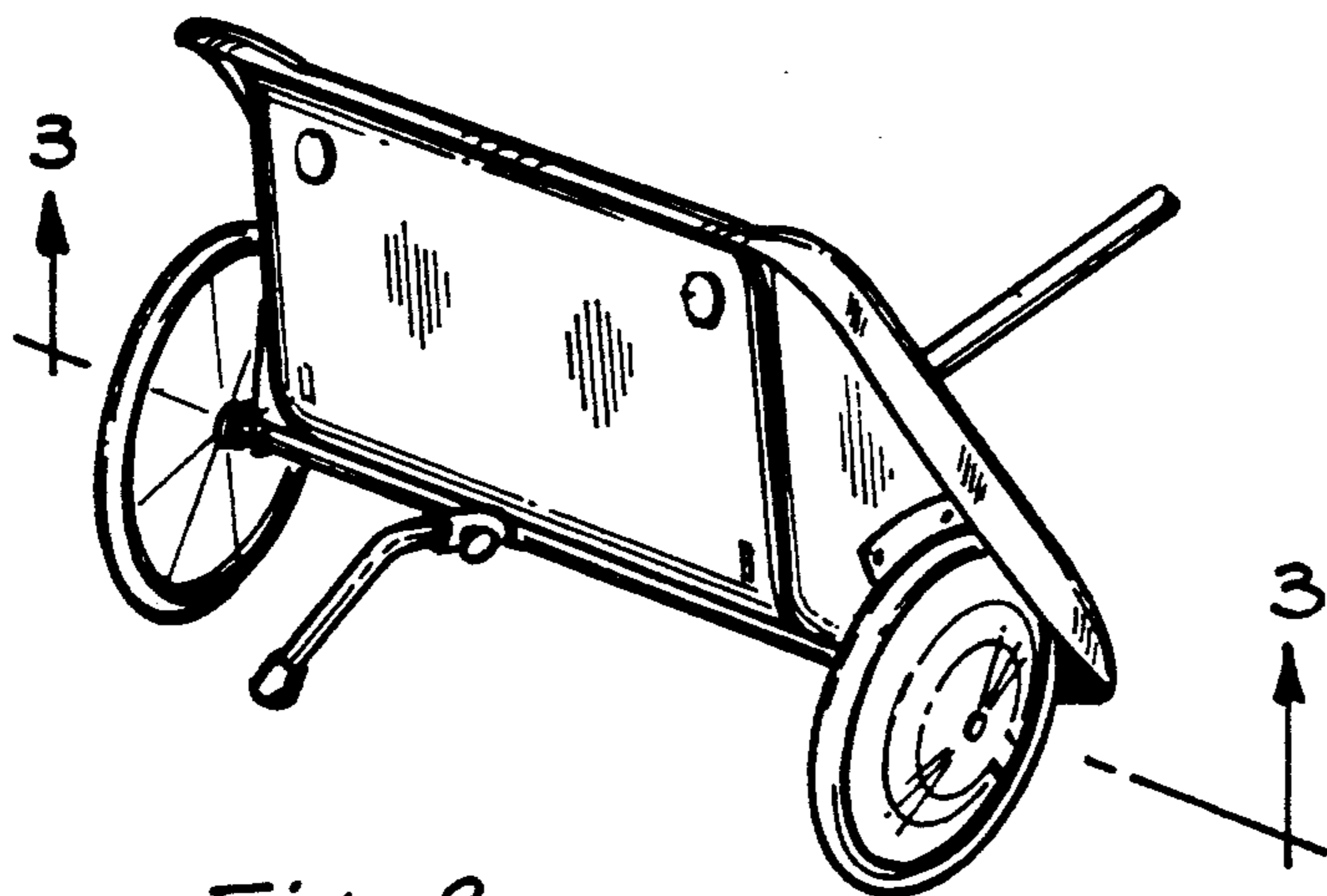


Fig. 2

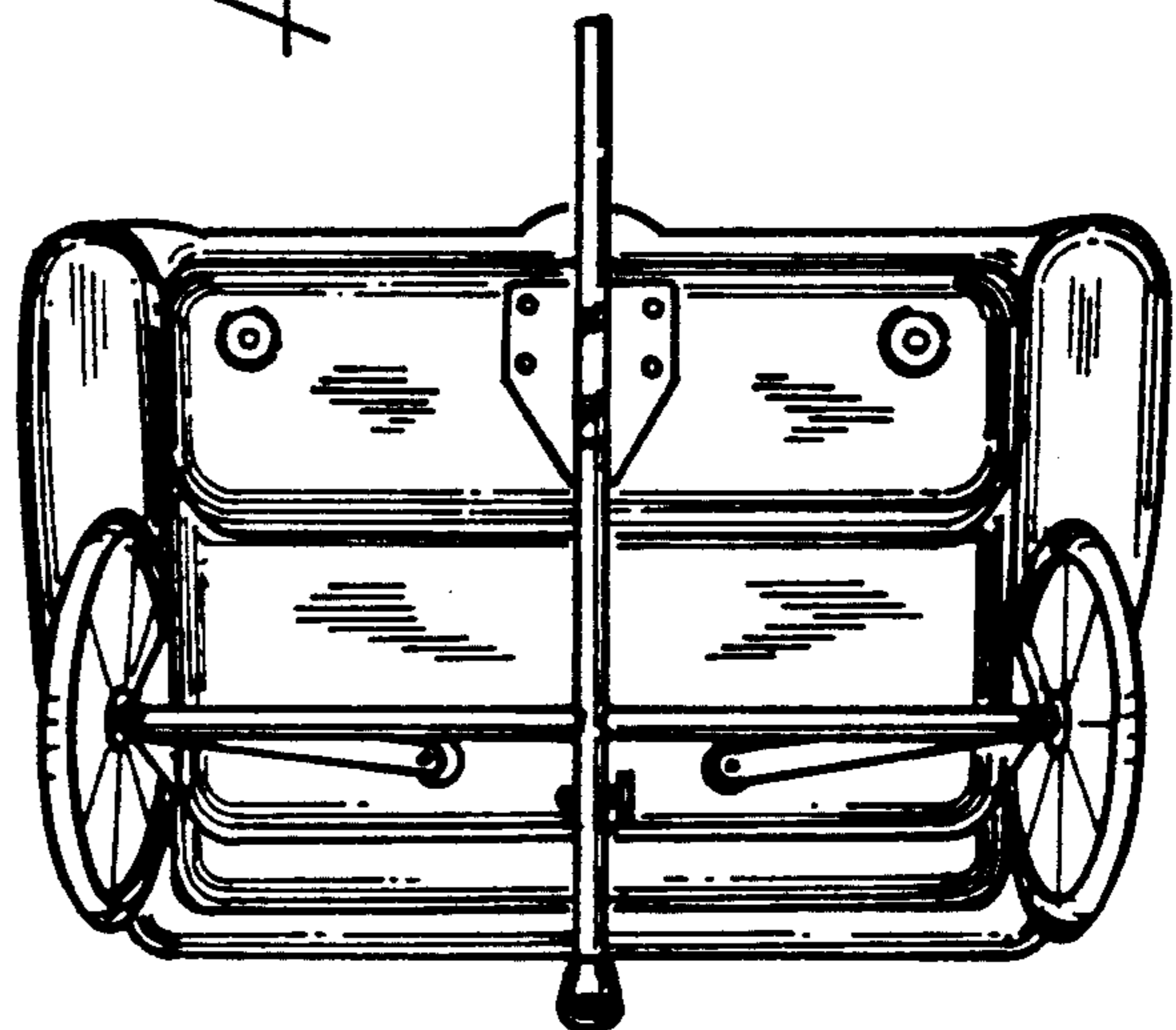


Fig. 3

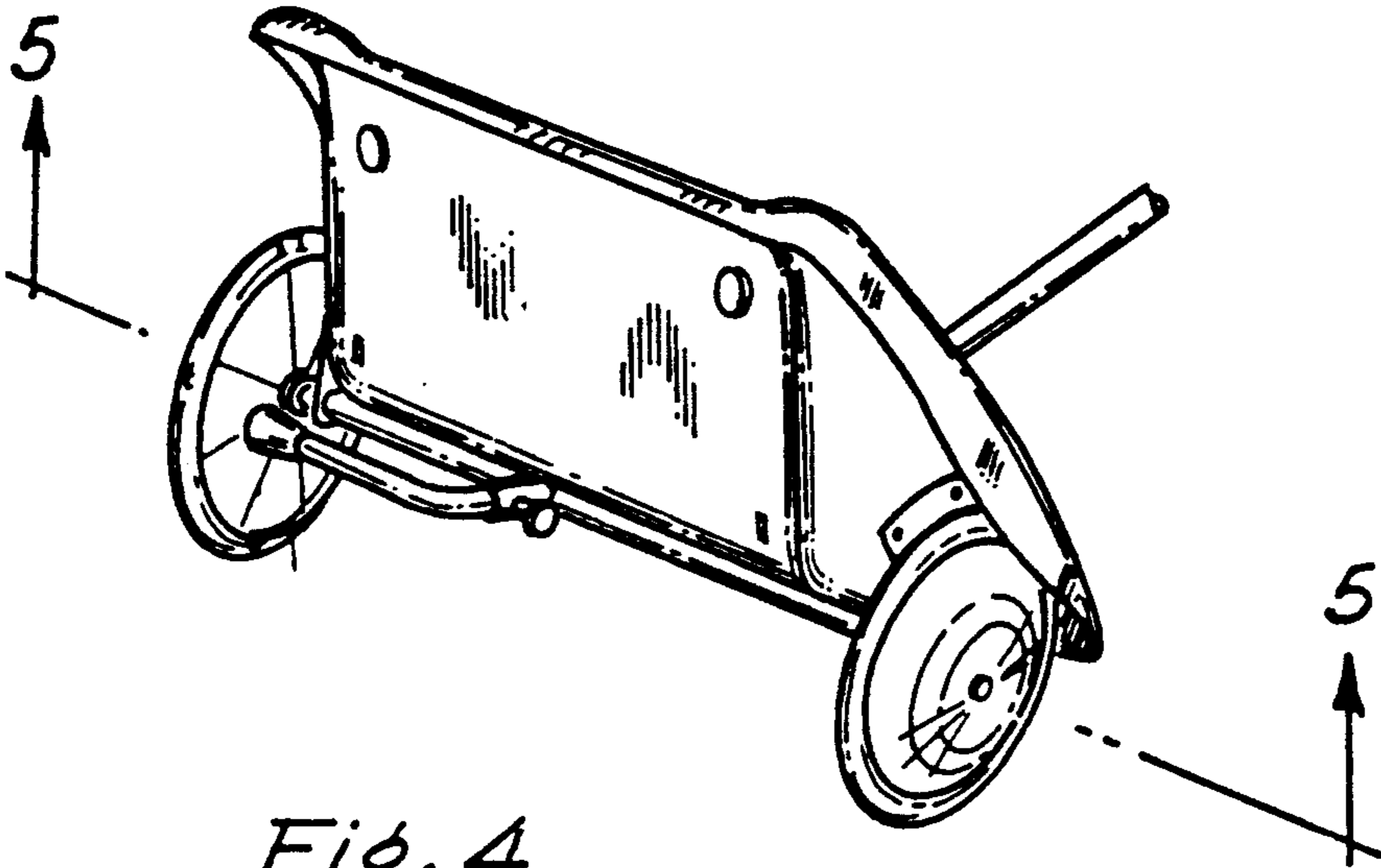


Fig. 4

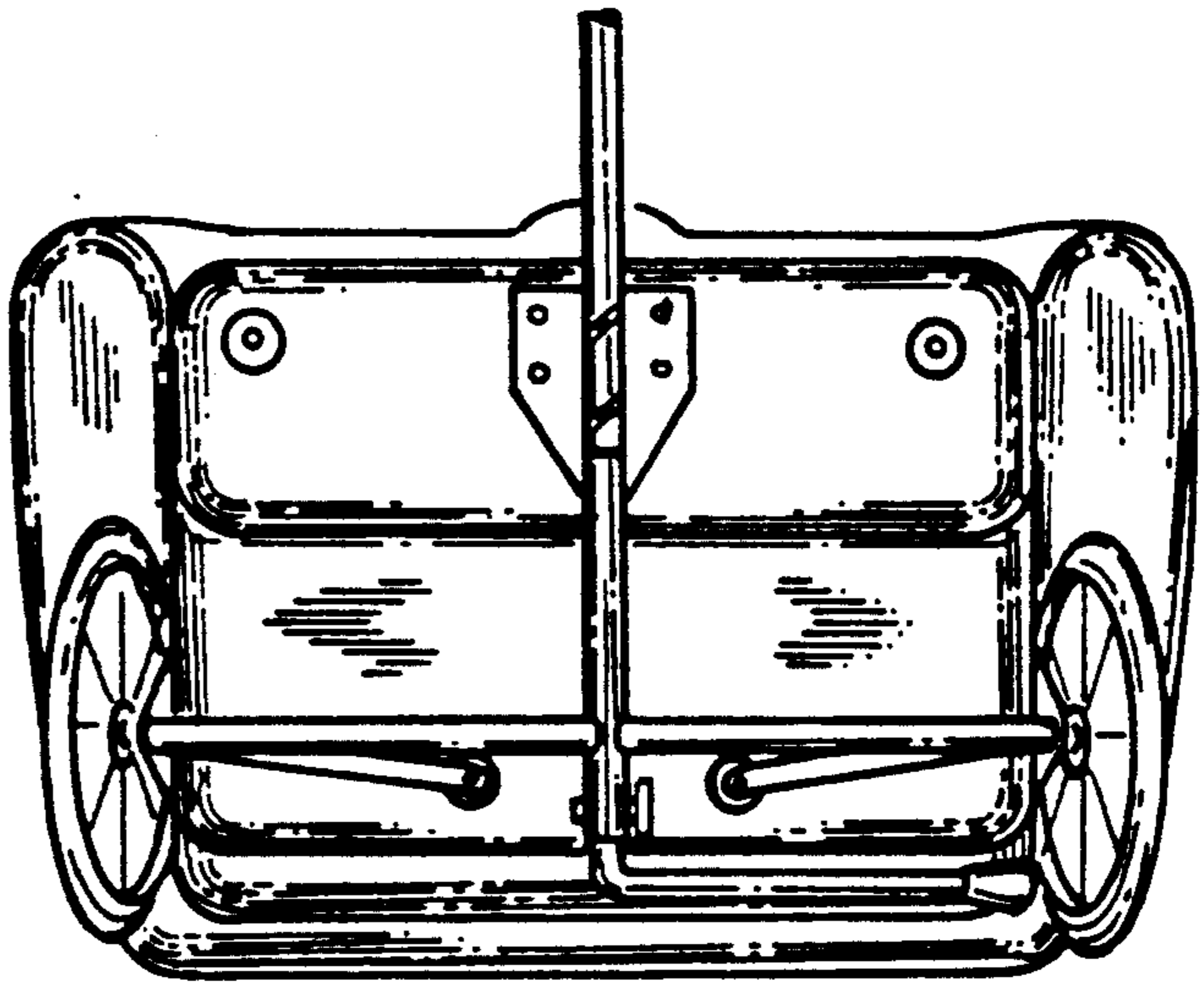


Fig. 5