



US00D341458S

# United States Patent [19]

[11] Patent Number: **Des. 341,458**

**Carroll**

[45] Date of Patent: **\*\* Nov. 16, 1993**

[54] **GIFT DISPLAY AND SALES CART**

[56] **References Cited**

[75] Inventor: **William G. Carroll, Salt Lake City, Utah**

### U.S. PATENT DOCUMENTS

D. 180,589	7/1957	Ellison .....	D34/13
D. 185,939	8/1959	Frick .....	D34/14
D. 271,733	12/1983	Daventry .....	D34/19

[73] Assignee: **Maxim, Inc., Salt Lake City, Utah**

*Primary Examiner*—Kay H. Chin  
*Attorney, Agent, or Firm*—Thorpe North & Western

[\*\*] Term: **14 Years**

[57] **CLAIM**

[21] Appl. No.: **896,567**

The ornamental design for a gift display and sales cart, as shown and described.

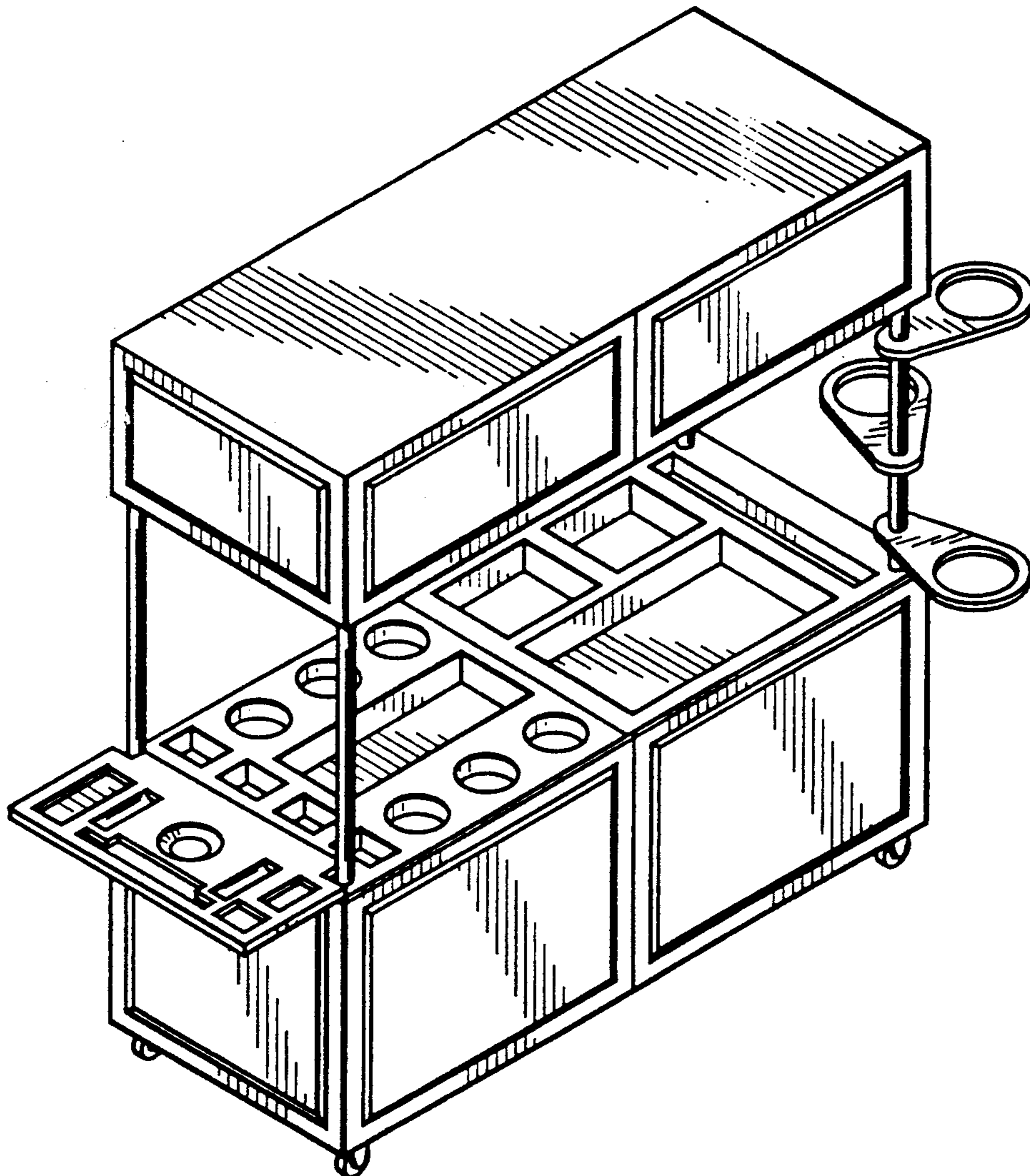
[22] Filed: **Jun. 9, 1992**

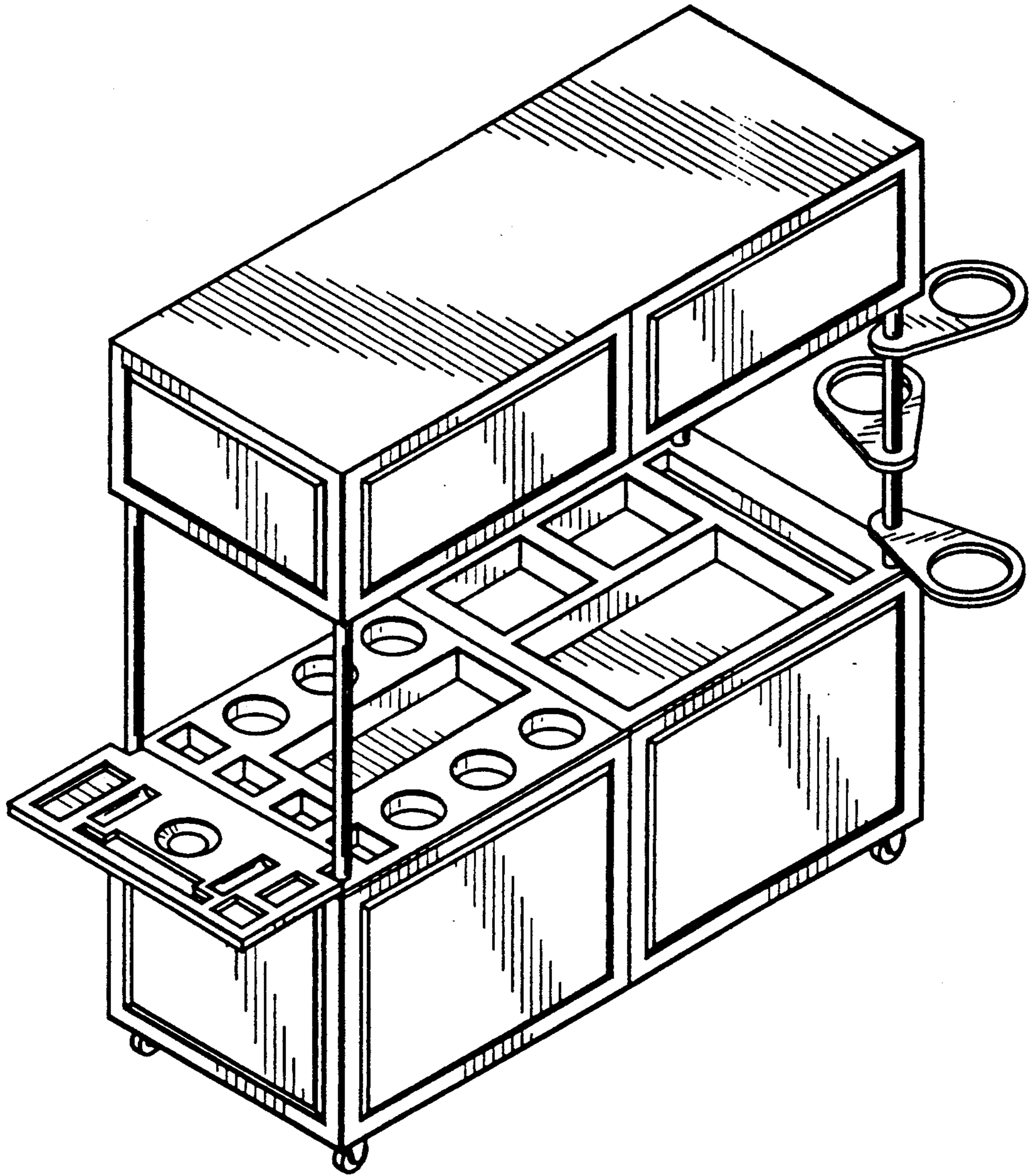
### DESCRIPTION

[52] U.S. Cl. .... **D34/20; D34/19; D6/474**

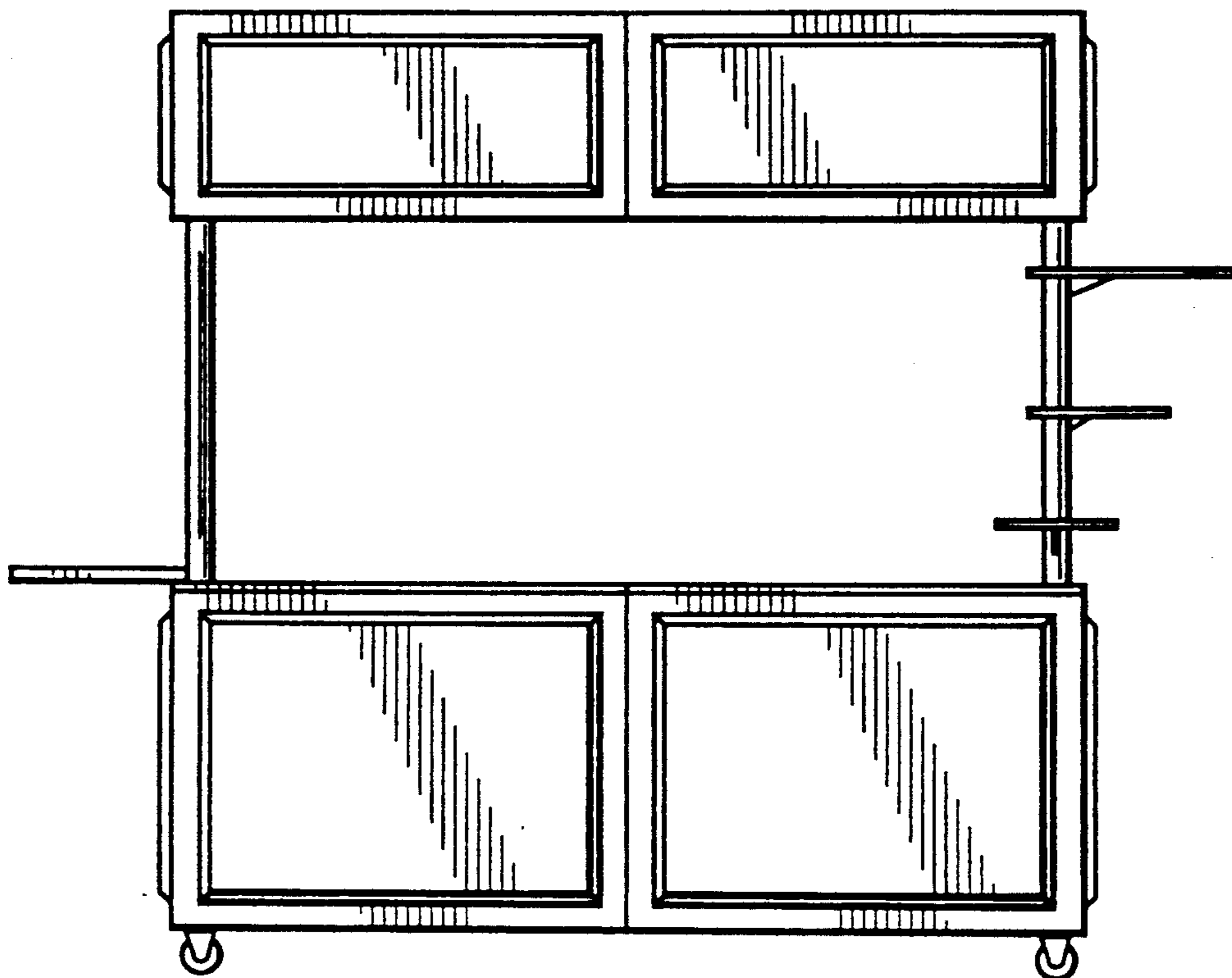
FIG. 1 is a perspective view of the gift display and sales cart showing my new design;  
FIG. 2 is a front, elevational view thereof;  
FIG. 3 is a side, elevational view thereof;  
FIG. 4 is a top plan view thereof; and,  
FIG. 5 is a bottom plan view.

[58] Field of Search ..... **D34/12, 13, 14, 17, D34/19, 20; D6/474, 421; 280/47, 35, 79.11, 79.3**

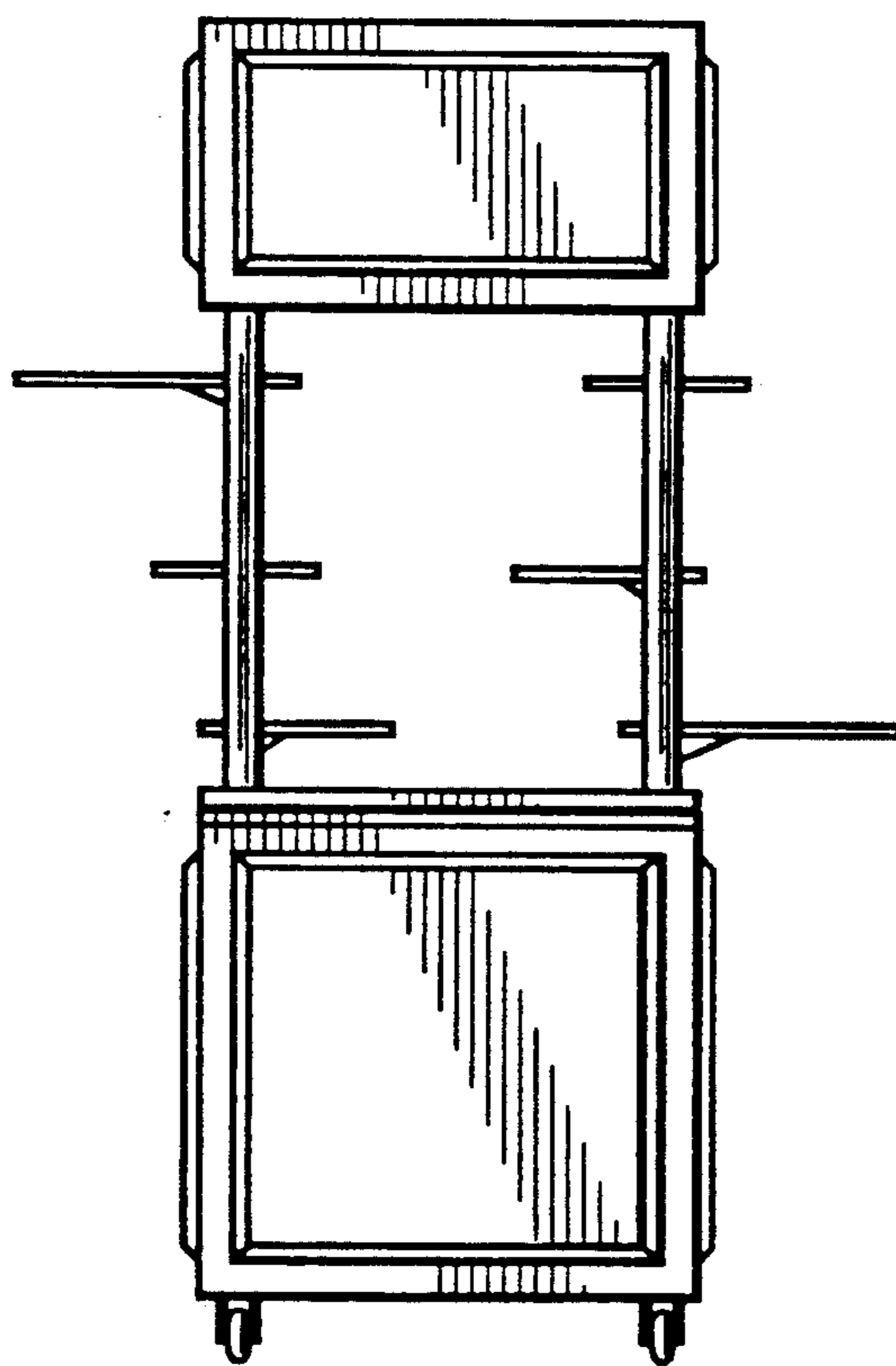




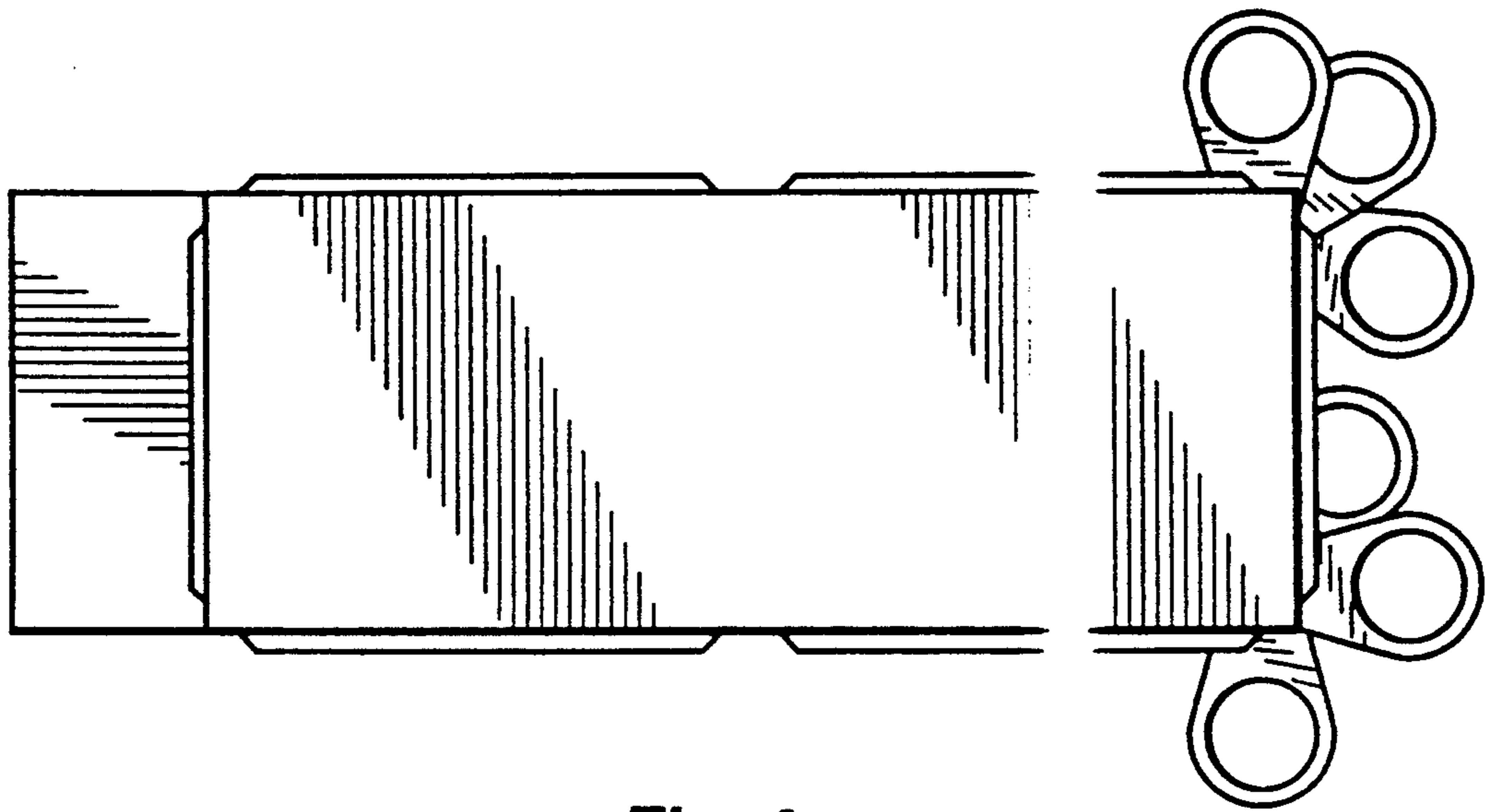
**Fig. 1**



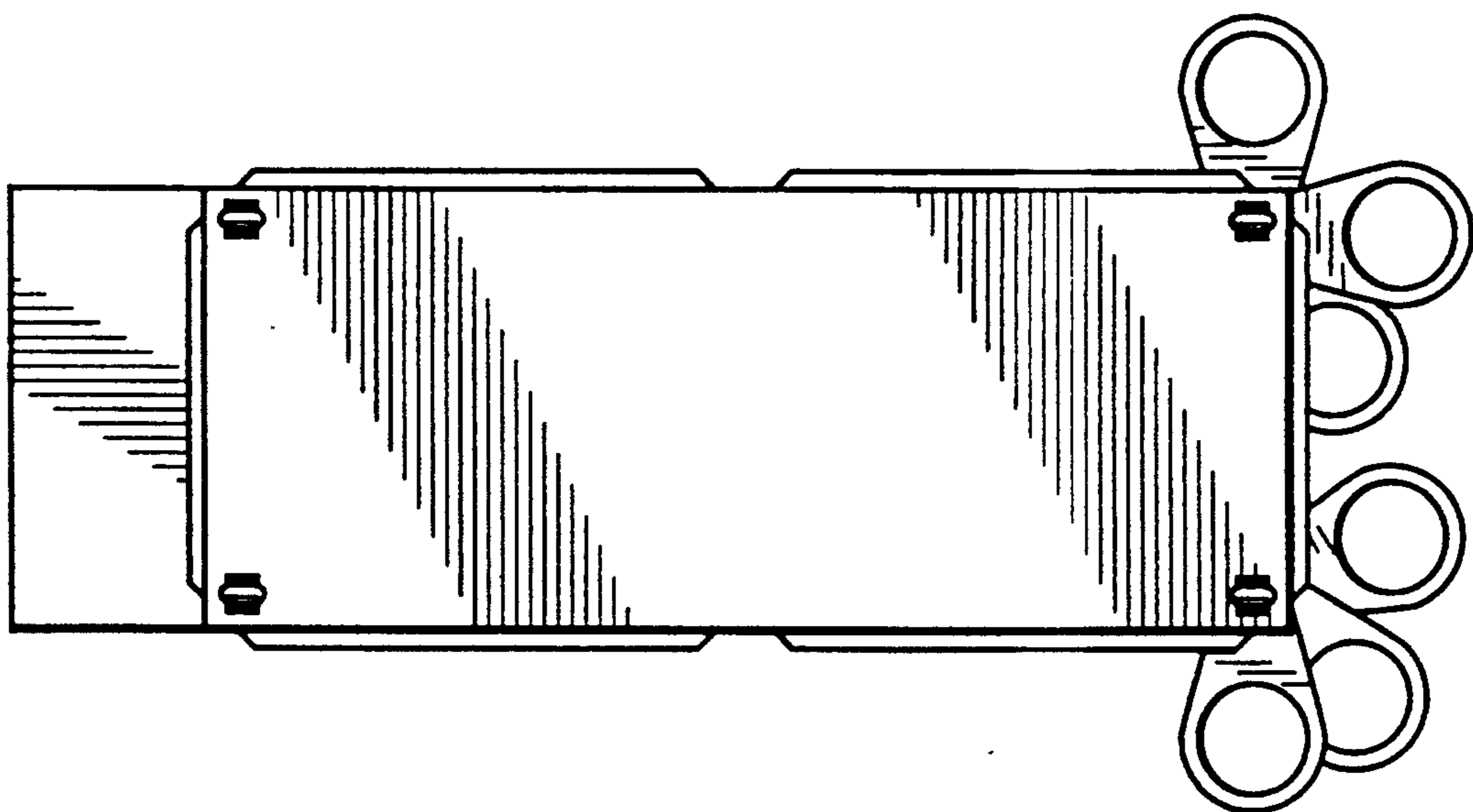
*Fig. 2*



*Fig. 3*



**Fig. 4**



**Fig. 5**