



US00D341457S

United States Patent [19]

Johnson et al.

[11] Patent Number: **Des. 341,457**

[45] Date of Patent: **** Nov. 16, 1993**

[54] **MOBILE PUSHCART**

[56]

References Cited

U.S. PATENT DOCUMENTS

[76] Inventors: **Virgil D. Johnson; Brenda K. Johnson**, both of 21 Millstone Cove, Maumelle, Ark. 72113-6002

D. 163,699	6/1951	Kilburg	D34/25
D. 185,939	8/1959	Frick	D34/14
D. 228,063	8/1973	Keeshin	D34/14

Primary Examiner—Kay H. Chin
Attorney, Agent, or Firm—Kalish & Gilster

[**] Term: **14 Years**

[57]

CLAIM

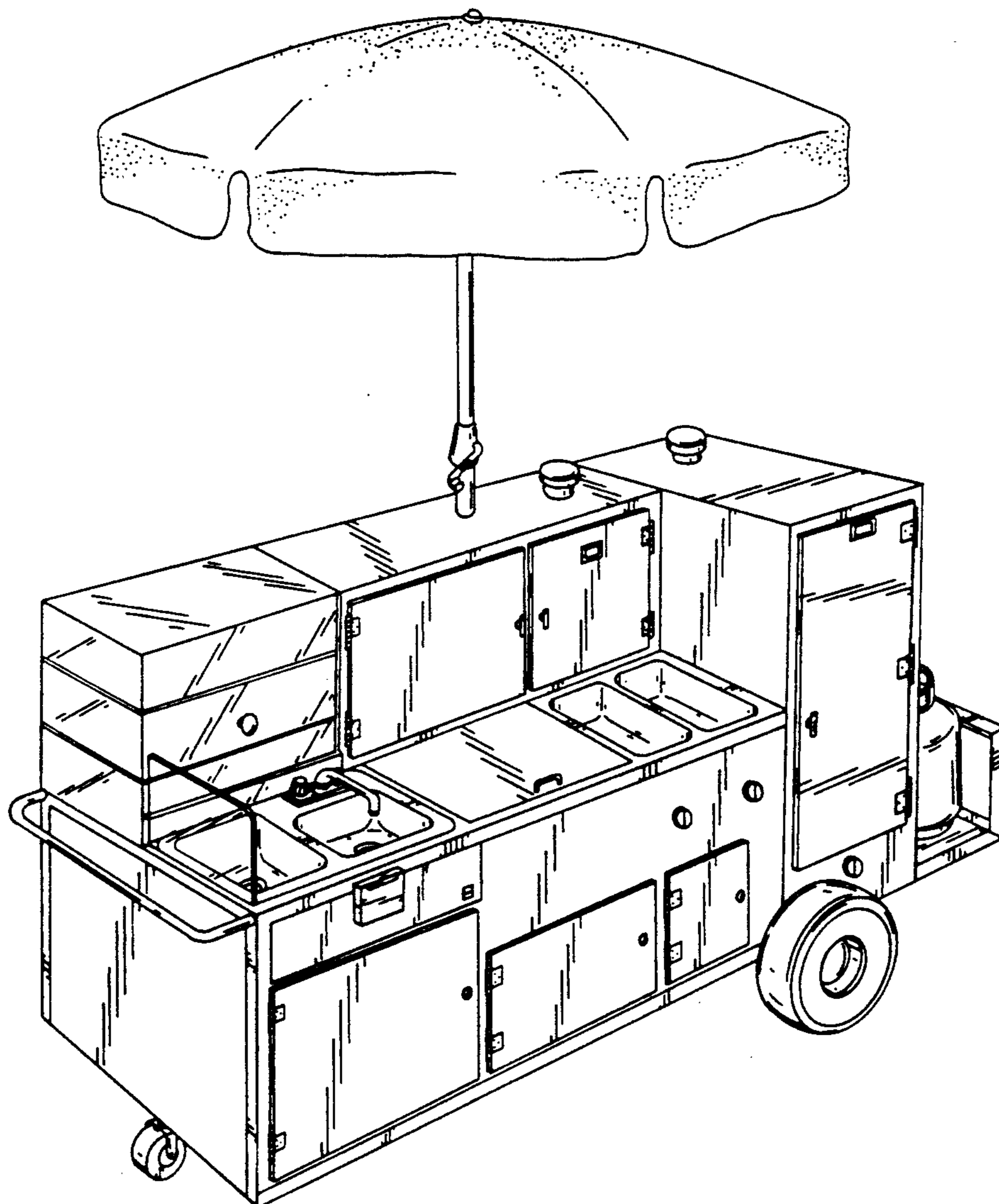
[21] Appl. No.: **890,464**

The ornamental design for a mobile pushcart, as shown and described.

DESCRIPTION

[22] Filed: **May 28, 1992**
 [52] U.S. Cl. **D34/20; D34/19**
 [58] Field of Search **D34/12, 13, 14, 17, D34/19, 20, 21; D6/474; 280/47.35, 79.11, 79.3**

FIG. 1 is a top and front perspective view of a mobile pushcart showing our new design; and, FIG. 2 is a rear perspective view thereof. The undisclosed bottom is flat and unornamented.



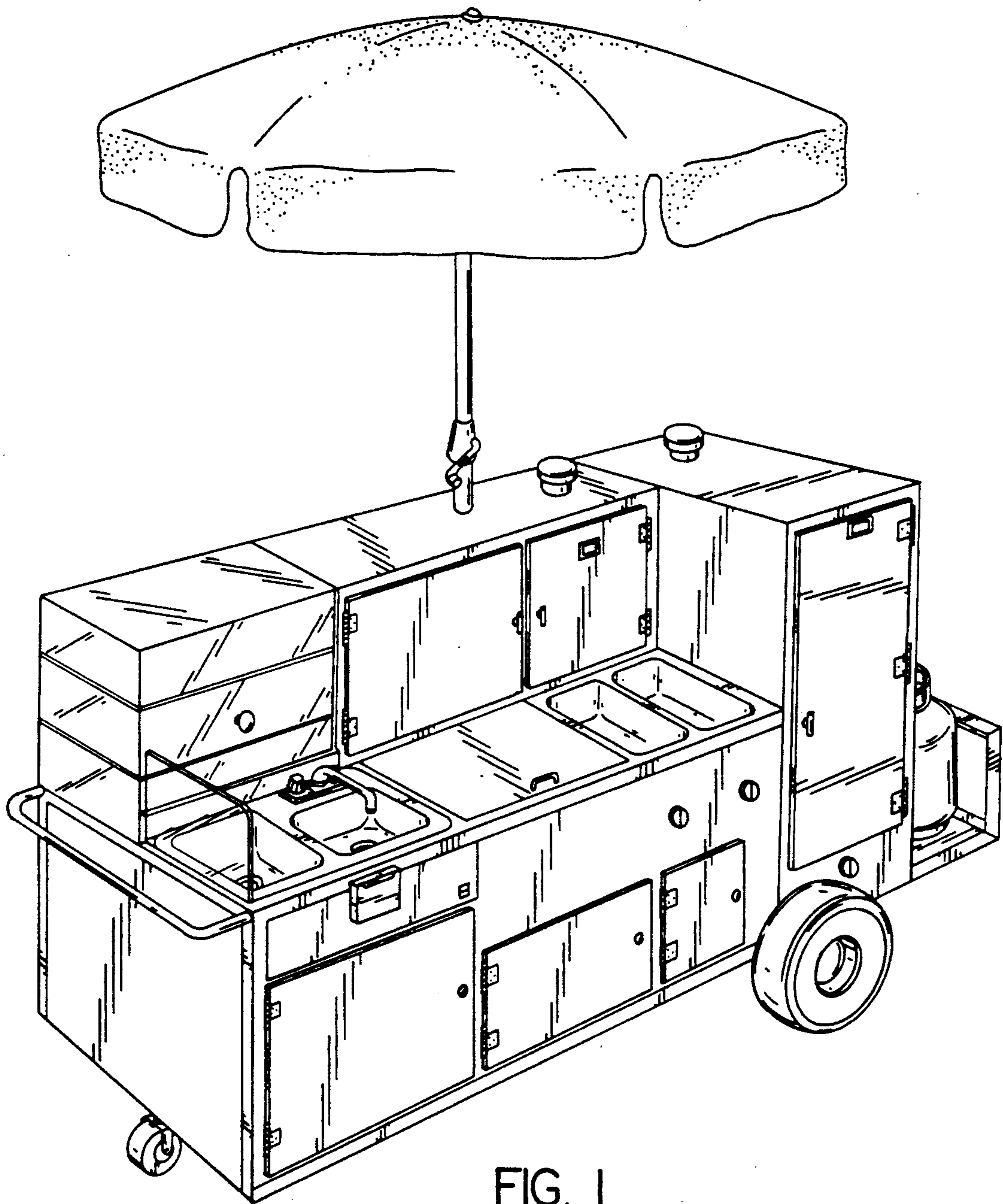


FIG. 1

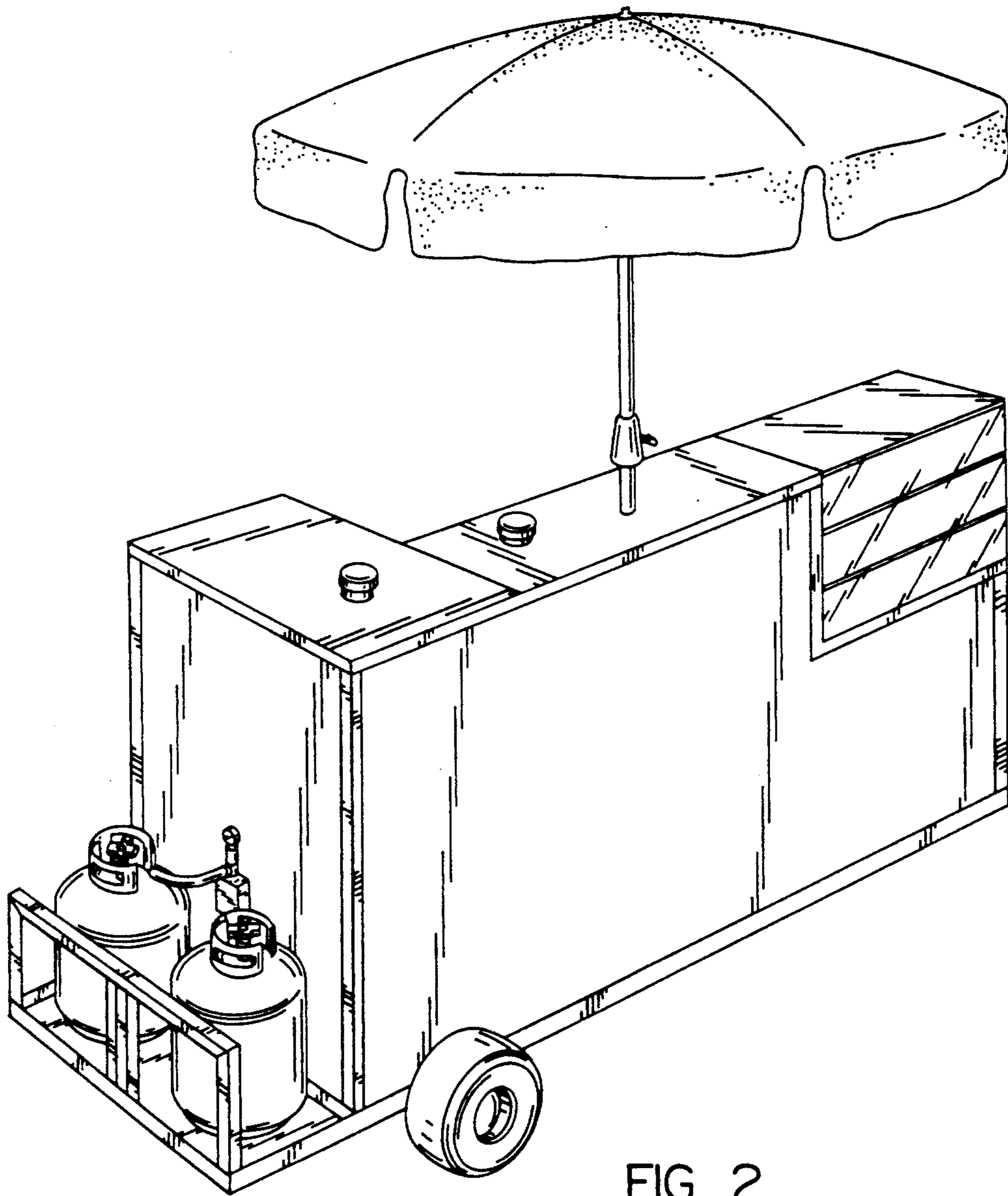


FIG. 2